



US00D630068S

(12) **United States Design Patent**  
**Proulx**

(10) **Patent No.:** **US D630,068 S**  
(45) **Date of Patent:** **\*\* Jan. 4, 2011**

(54) **TRIMMER HEAD FOR USE IN FLEXIBLE  
LINE ROTARY TRIMMERS**

(75) Inventor: **Richard A. Proulx**, Alta Loma, CA (US)

(73) Assignee: **Proulx Manufacturing, Inc.**, Rancho  
Cucamonga, CA (US)

(\*\*) Term: **14 Years**

(21) Appl. No.: **29/350,231**

(22) Filed: **Nov. 12, 2009**

(51) **LOC (9) Cl.** ..... **08-01**

(52) **U.S. Cl.** ..... **D8/8**

(58) **Field of Classification Search** ..... D8/8,  
D8/9; 56/12.7, 295; 30/276

See application file for complete search history.

(56) **References Cited**

**U.S. PATENT DOCUMENTS**

D482,941 S *	12/2003	Nystrom	.....	D8/8
D502,368 S *	3/2005	Nystrom et al.	.....	D8/8
D584,581 S *	1/2009	Bradford	.....	D8/8
D598,254 S *	8/2009	Alliss	.....	D8/8
D598,255 S *	8/2009	Alliss	.....	D8/8

\* cited by examiner

*Primary Examiner*—Holly H Baynham

*Assistant Examiner*—Sheryl Lane

(74) *Attorney, Agent, or Firm*—Holland & Knight LLP;  
Richard E. Lyon, Jr.

(57) **CLAIM**

The ornamental design for a trimmer head for use in flexible line rotary trimmers, as shown and described.

**DESCRIPTION**

FIG. 1 is a perspective view as seen from above of a first embodiment of a trimmer head for use in flexible line rotary trimmers showing my new design, with aerodynamic features on upper and lower housing surfaces, a line inlet/outlet eyelet in a side of the housing and a trimmer drive shaft receiving aperture in the upper end of the housing being illustrated in broken lines;

FIG. 2 is a perspective view thereof as seen from below, with aerodynamic features on upper and lower housing surfaces, spool and line gripping recesses and line pass through openings in a lower spool surface, locking apertures in a lower housing surface and a line inlet/outlet eyelet in a side of the housing being illustrated in broken lines;

FIG. 3 is a top plan view thereof;

FIG. 4 is a front view thereof;

FIG. 5 is a side view thereof as seen from the left side of FIG. 3;

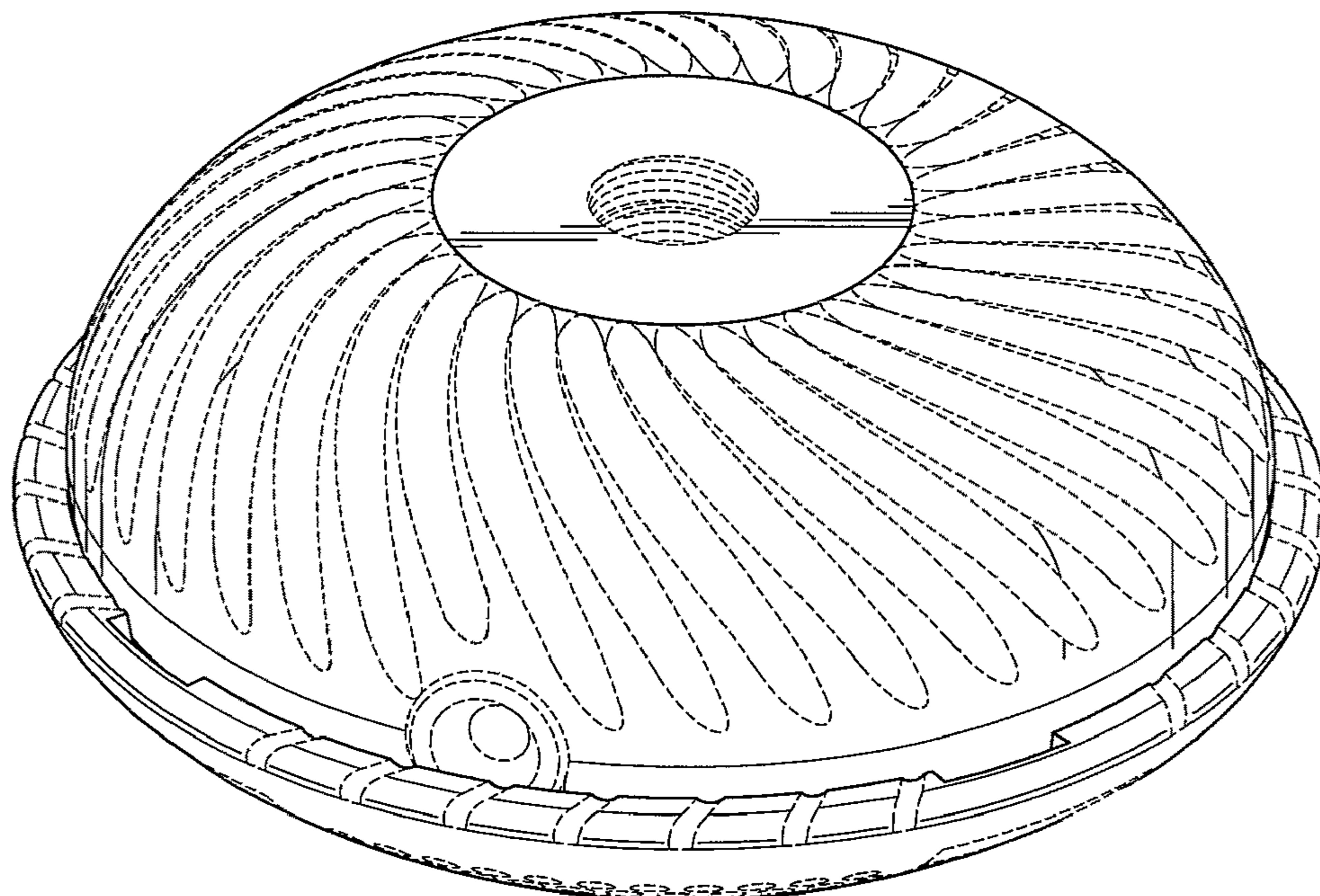
FIG. 6 is a side view thereof as seen from the right side of FIG. 3;

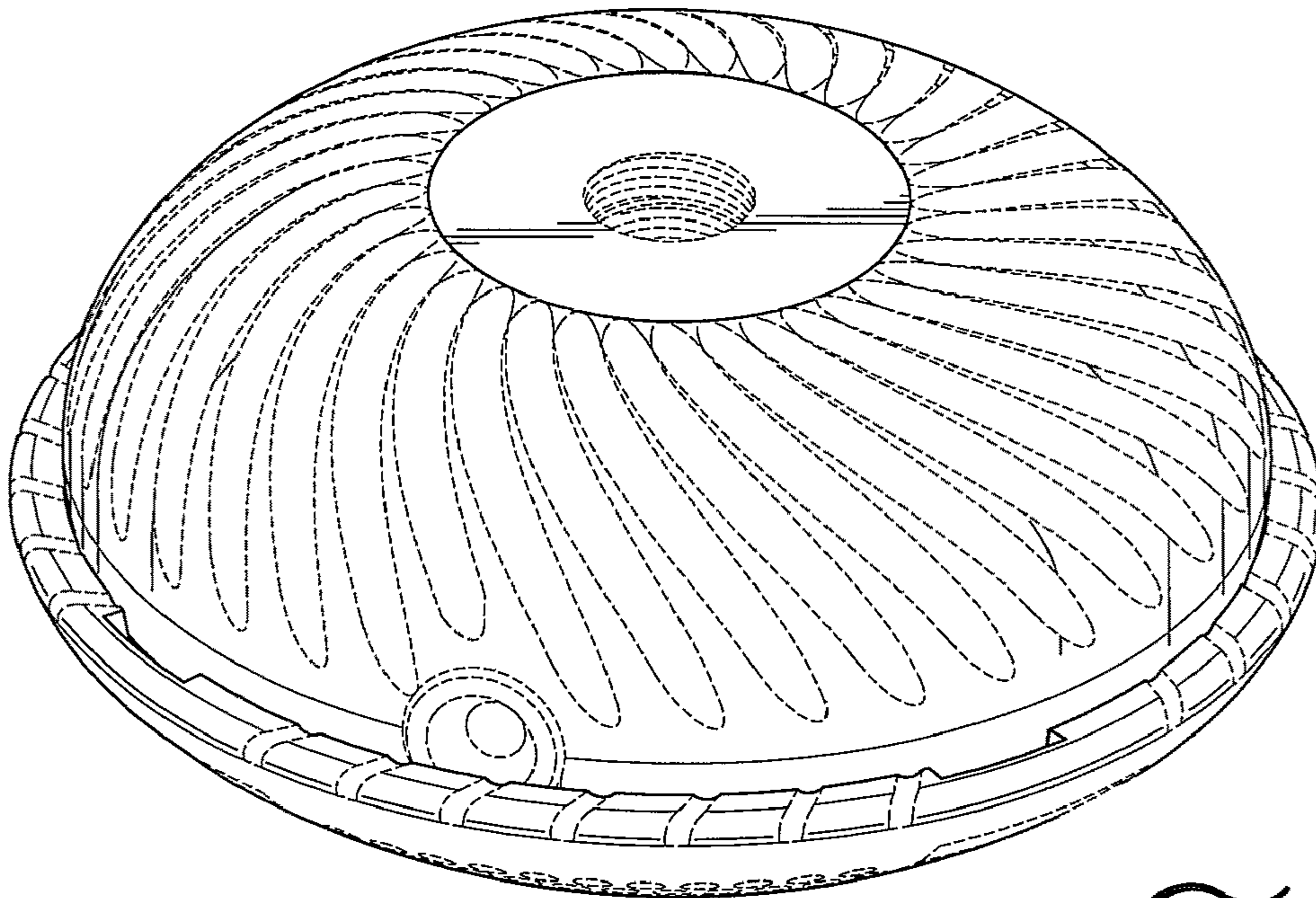
FIG. 7 is a rear view thereof; and,

FIG. 8 is a bottom plan view thereof.

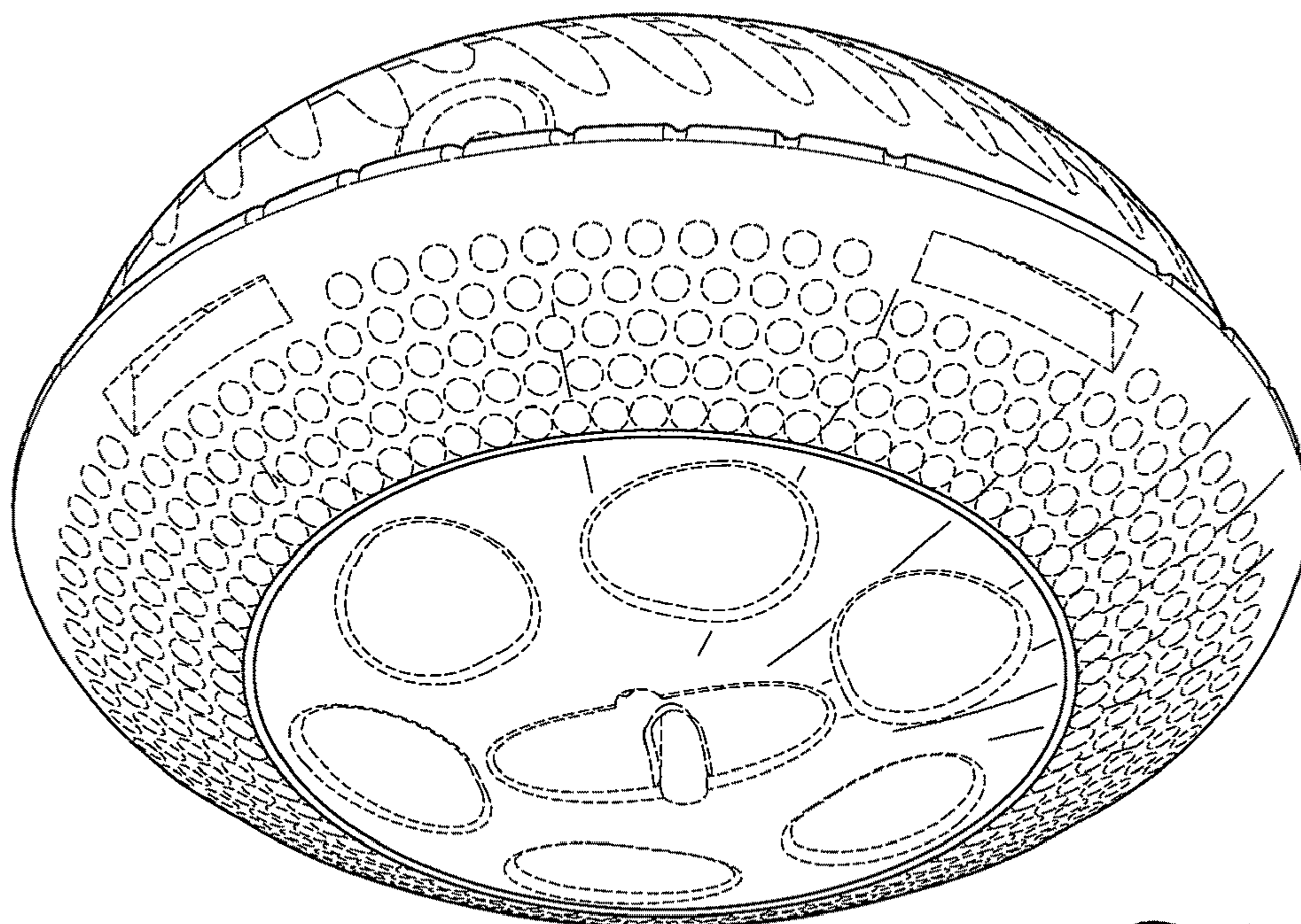
The broken line showing of the trimmer head is included for the purpose of illustrating portions of the article and forms no part of the claimed design.

**1 Claim, 4 Drawing Sheets**

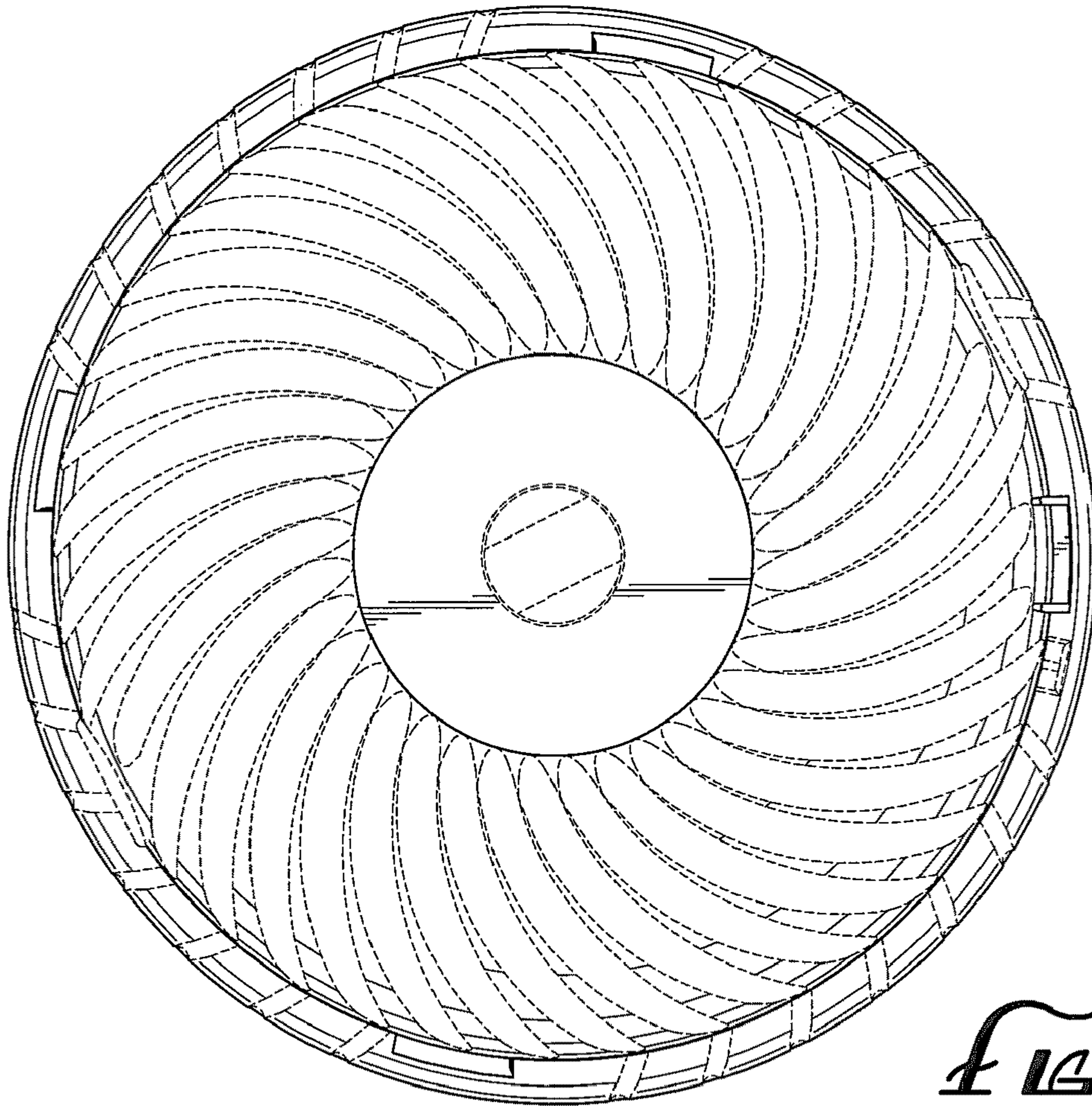




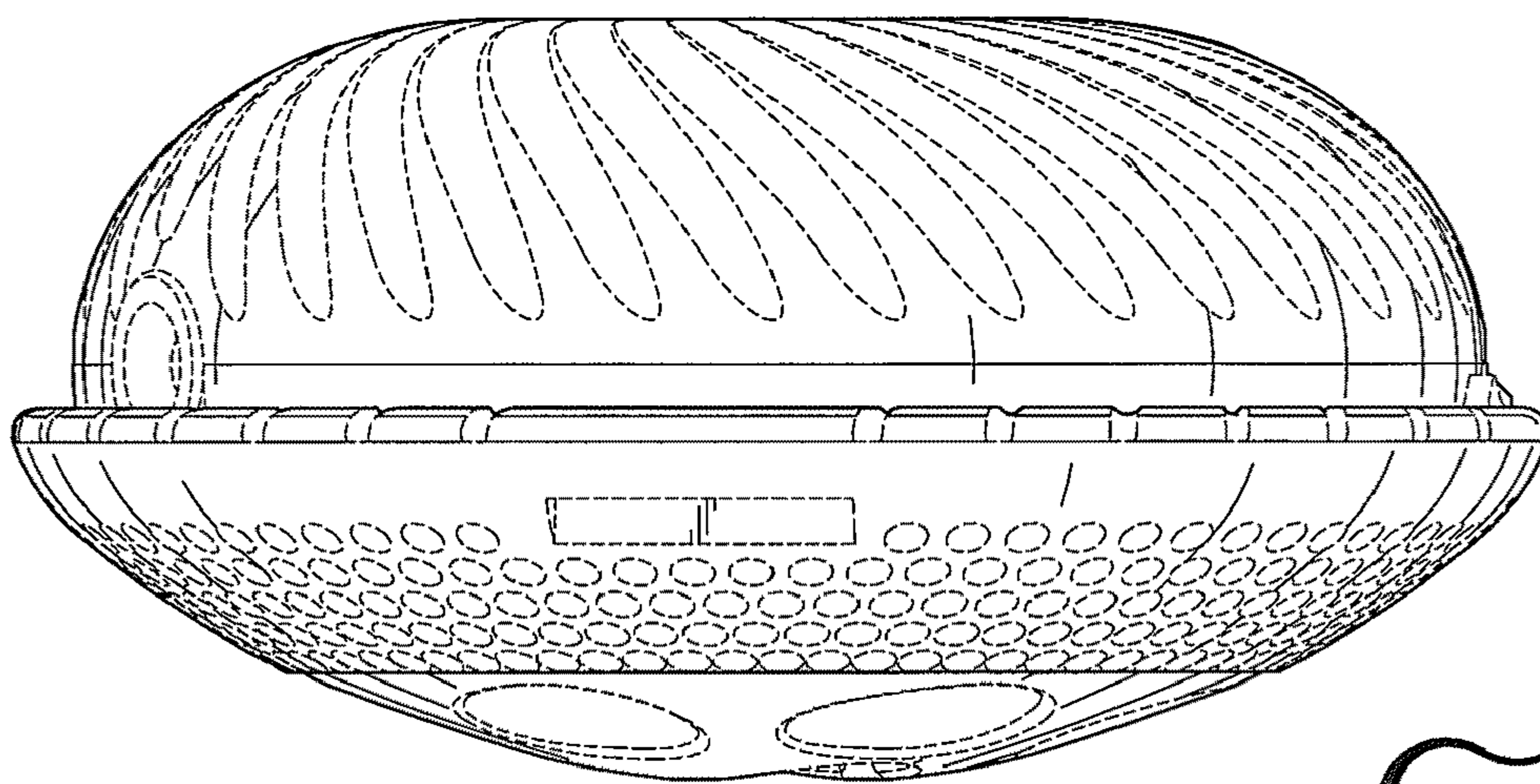
*FIG. 1*



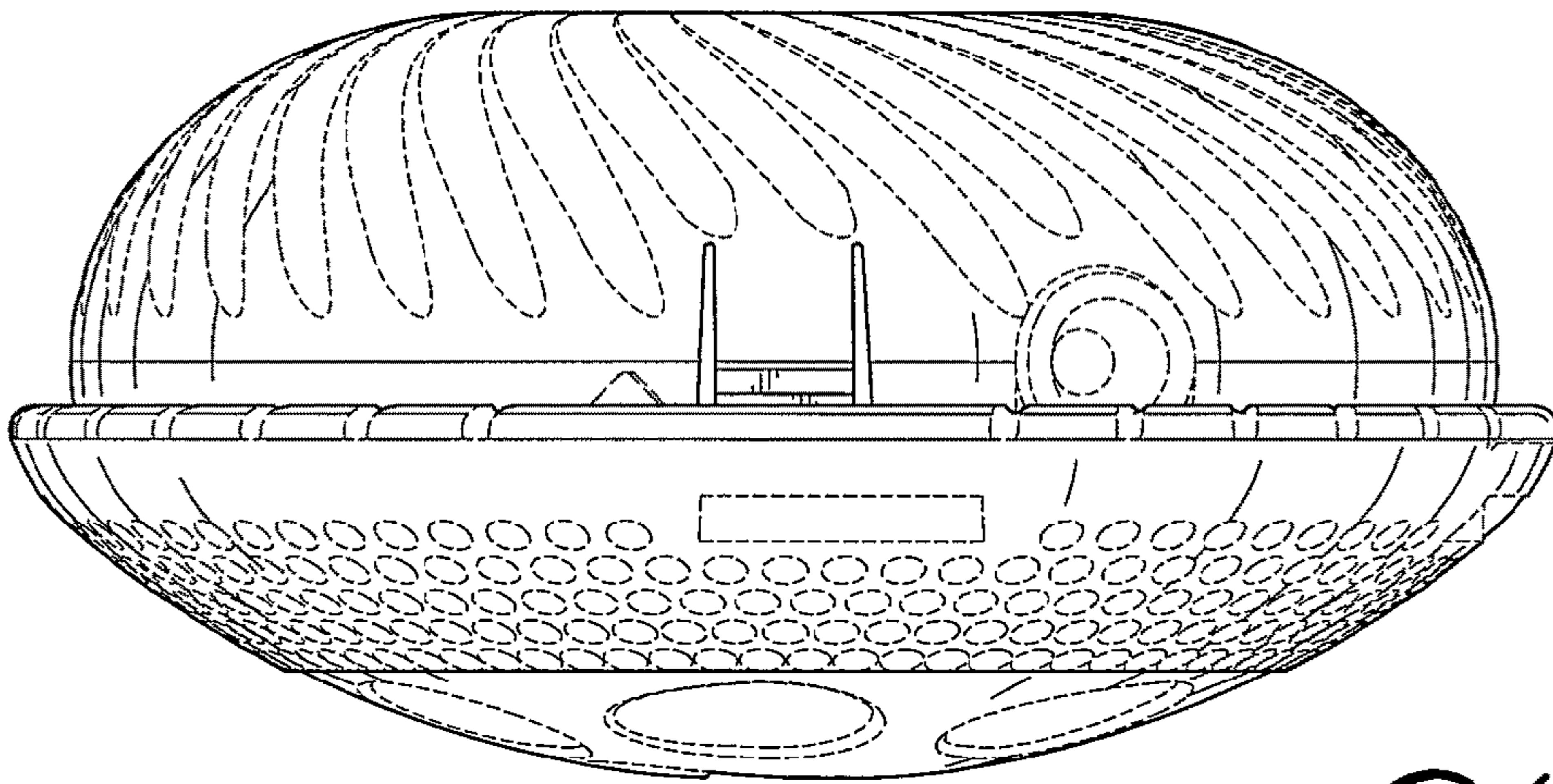
*FIG. 2*



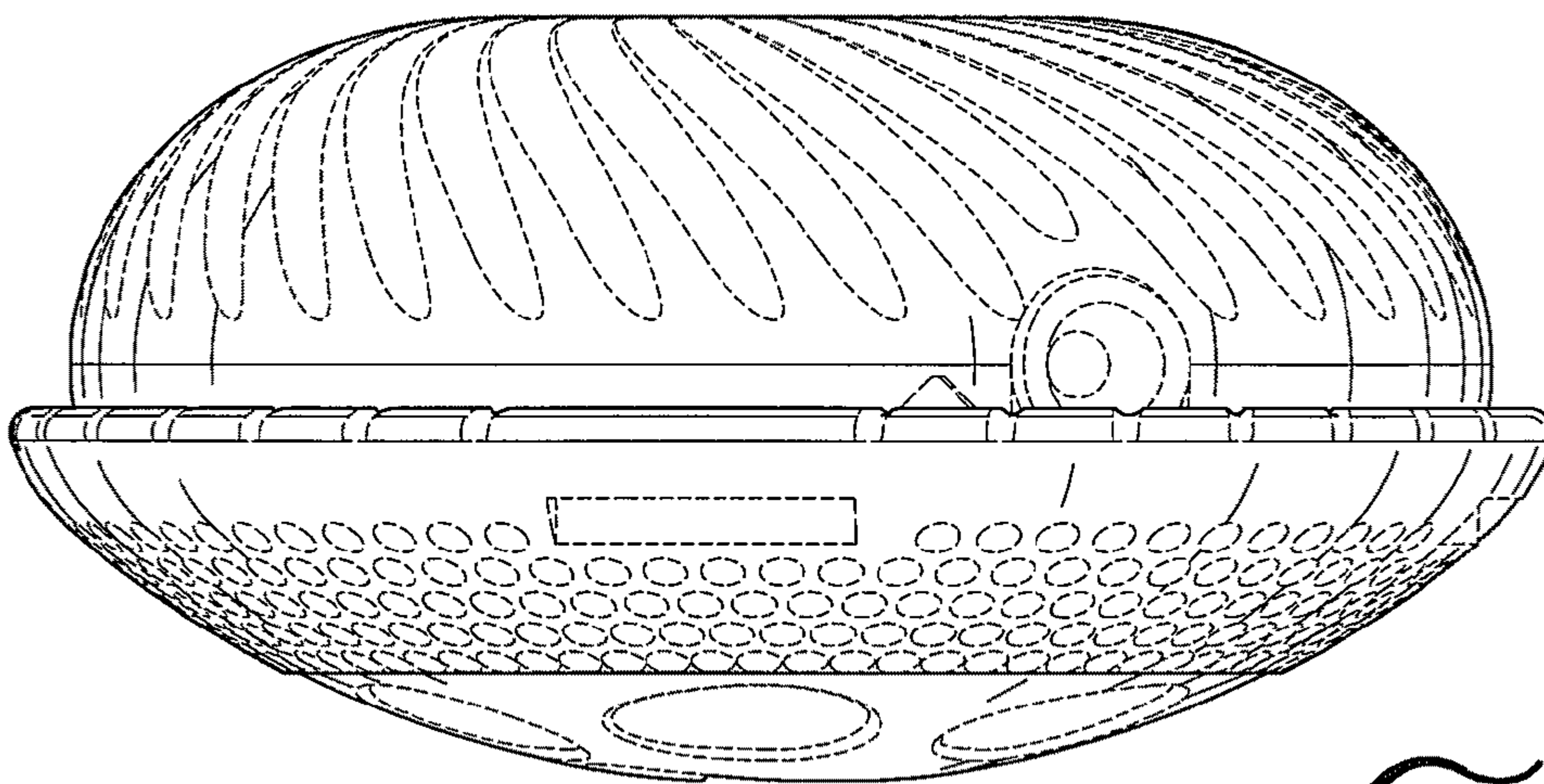
*FIG. 3*



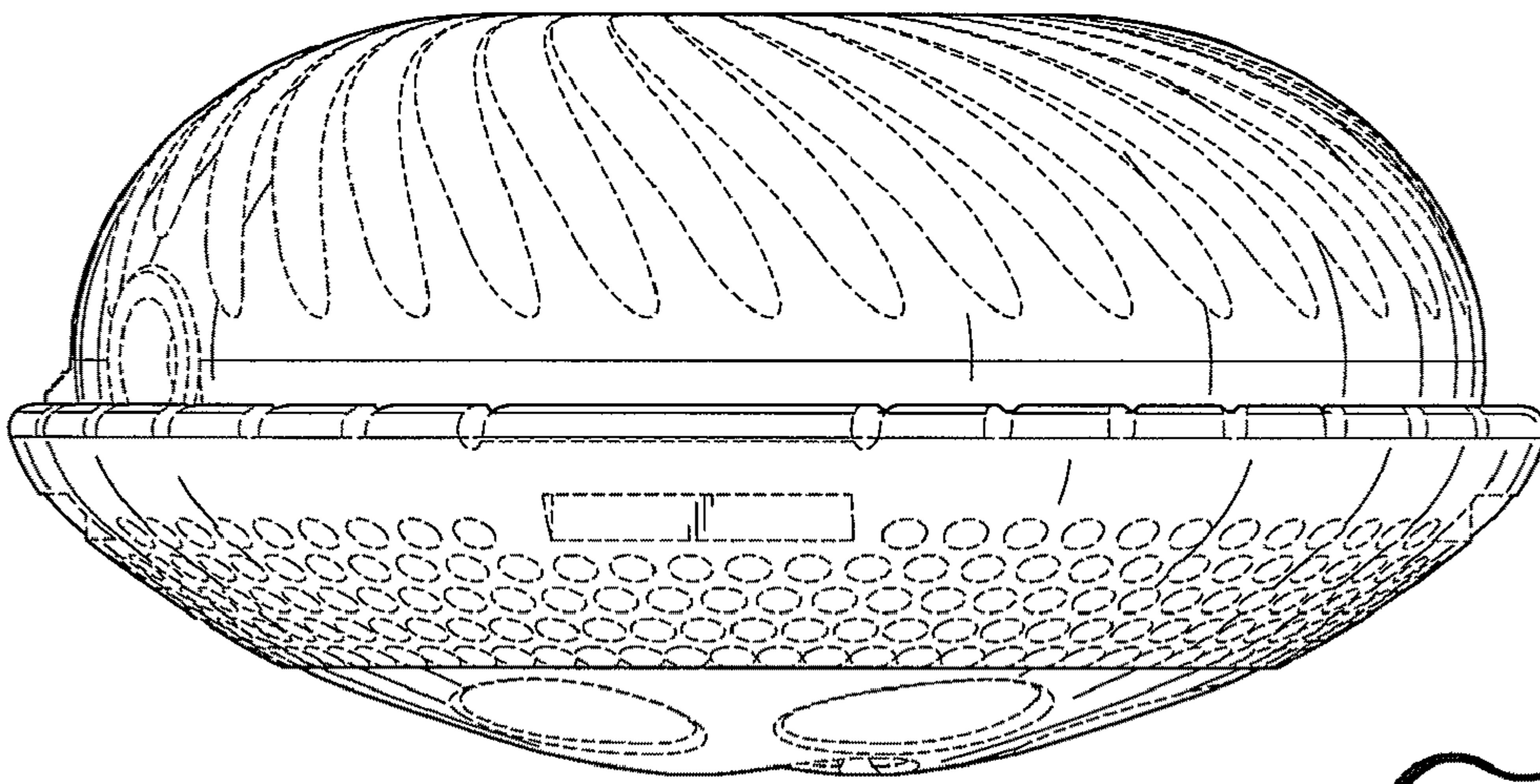
*FIG. 4*



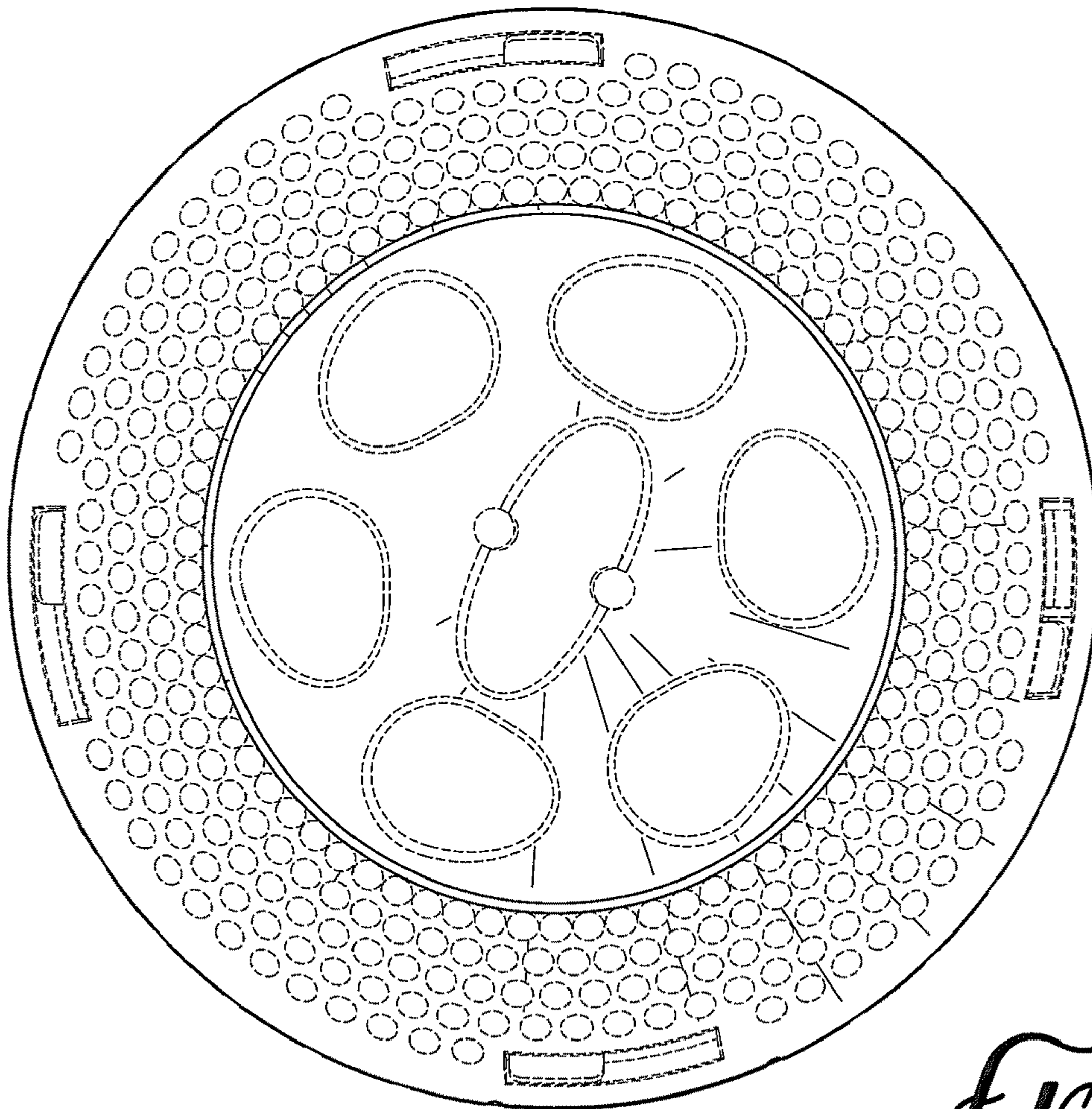
*FIG. 5*



*FIG. 6*



*FIG. 7*



*FIG. 8*