



US00D630062S

(12) **United States Design Patent**
Carreno

(10) **Patent No.:** **US D630,062 S**

(45) **Date of Patent:** **** Jan. 4, 2011**

(54) **BOTTLE**

(75) Inventor: **Alfredo Carreno**, Aurora, IL (US)

(73) Assignee: **Thermos L.L.C.**, Rolling Meadows, IL (US)

(**) Term: **14 Years**

(21) Appl. No.: **29/294,719**

(22) Filed: **Jan. 24, 2008**

(51) **LOC (9) Cl.** **07-01**

(52) **U.S. Cl.** **D7/608**

(58) **Field of Classification Search** D7/509–511,
D7/601, 605, 608; D9/500, 503–504; 215/379,
215/381–382; 220/660, 669–673, 675
See application file for complete search history.

(56) **References Cited**

U.S. PATENT DOCUMENTS

D93,437 S *	10/1934	Ball	D7/608
D295,355 S *	4/1988	Leung	D7/608
6,119,888 A *	9/2000	Goto et al.	220/592.27
6,401,964 B1 *	6/2002	Goto et al.	220/592.27
D488,675 S *	4/2004	Moore	D7/608
D540,625 S *	4/2007	Sandberg	D7/608
D553,914 S *	10/2007	Wahl	D7/608
D572,981 S *	7/2008	Carreno	D7/608
D587,533 S *	3/2009	Carreno	D7/608

D587,534 S *	3/2009	Carreno	D7/629
D593,372 S *	6/2009	Carreno	D7/629
D600,071 S *	9/2009	Carreno	D7/509

* cited by examiner

Primary Examiner—Carol Rademaker

Assistant Examiner—Dana L Sipos

(74) *Attorney, Agent, or Firm*—Wood, Phillips, Katz, Clark & Mortimer

(57) **CLAIM**

The ornamental design for a bottle, as shown and described.

DESCRIPTION

FIG. 1 is a perspective view from above and to the right of the bottle design;

FIG. 2 is a perspective view from below and to the left of the bottle design;

FIG. 3 is a front elevation view of the bottle design;

FIG. 4 is a right side view of the bottle design, with the left side view being a mirror image of FIG. 3;

FIG. 5 is a back elevation view of the bottle design;

FIG. 6 is a top plan view of the bottle design; and,

FIG. 7 is a bottom view of the bottle design.

It is to be understood that the broken lines are for illustrative purposes only and form no part of the claimed design.

1 Claim, 5 Drawing Sheets

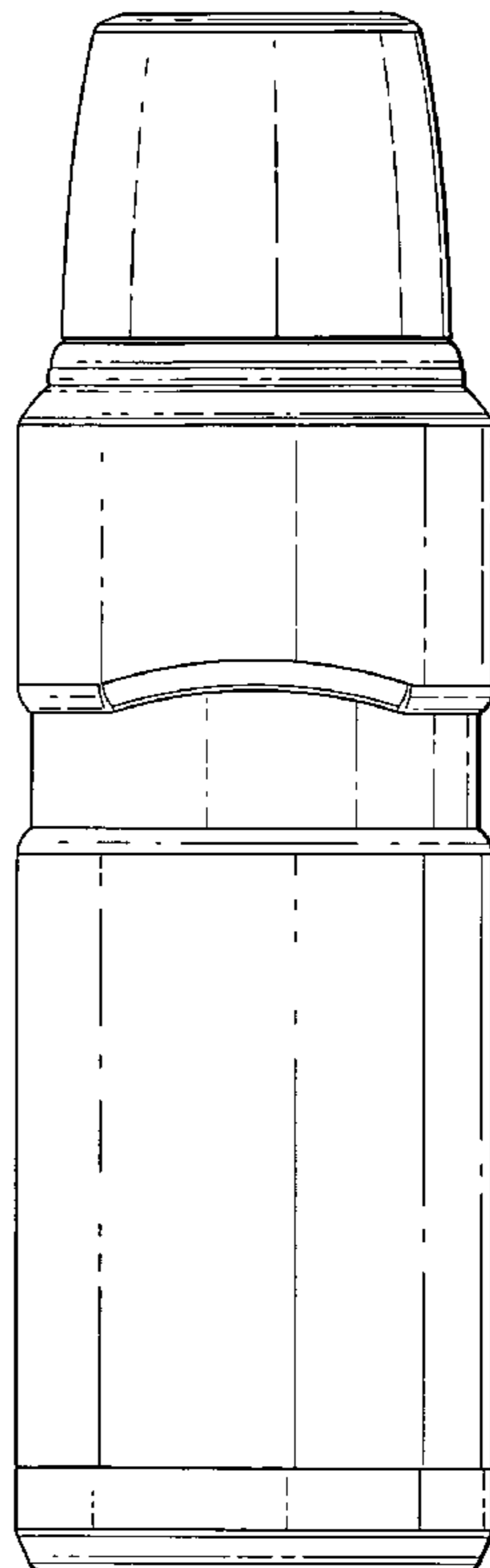


Fig. 1

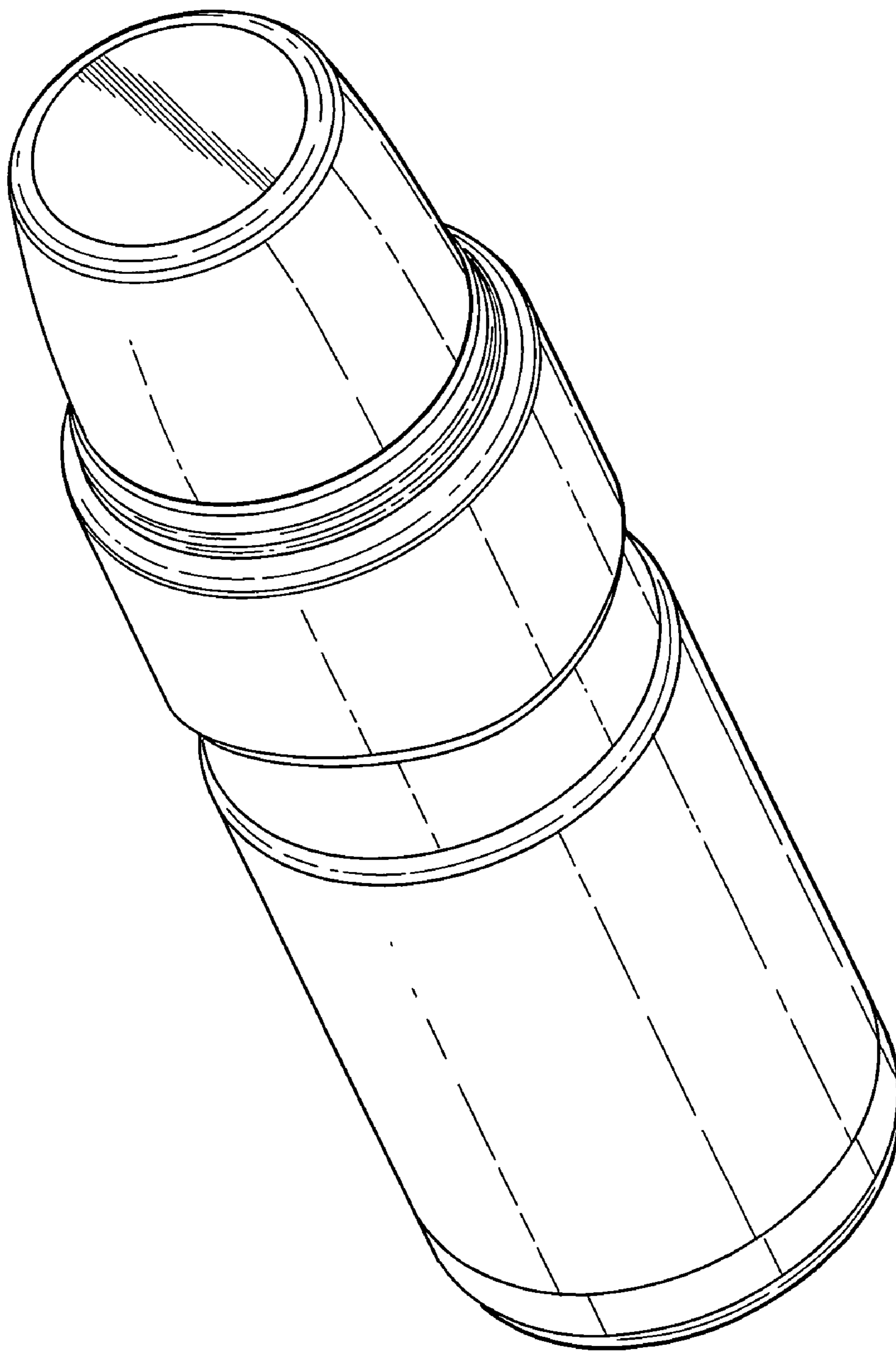


Fig. 2

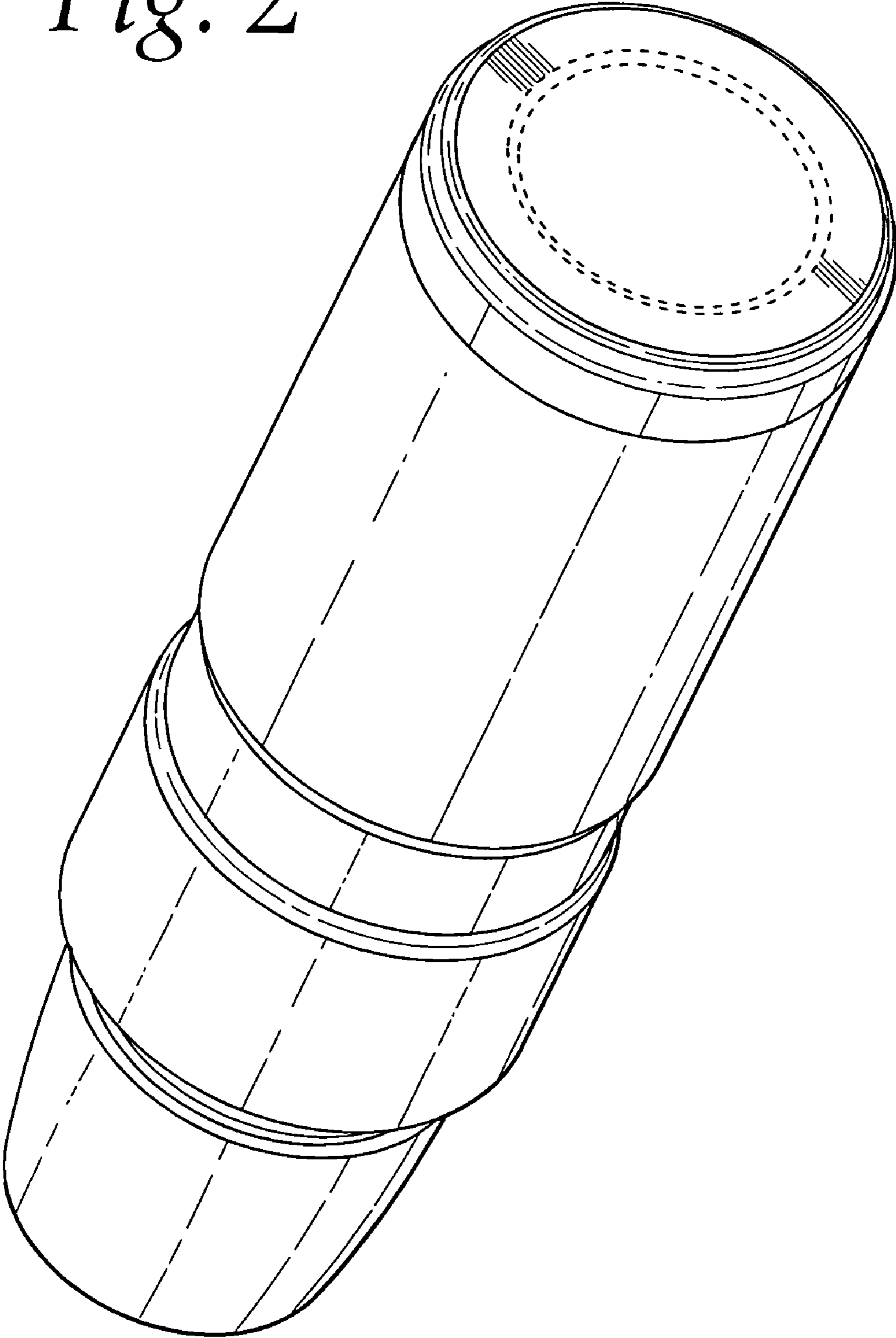


Fig. 3

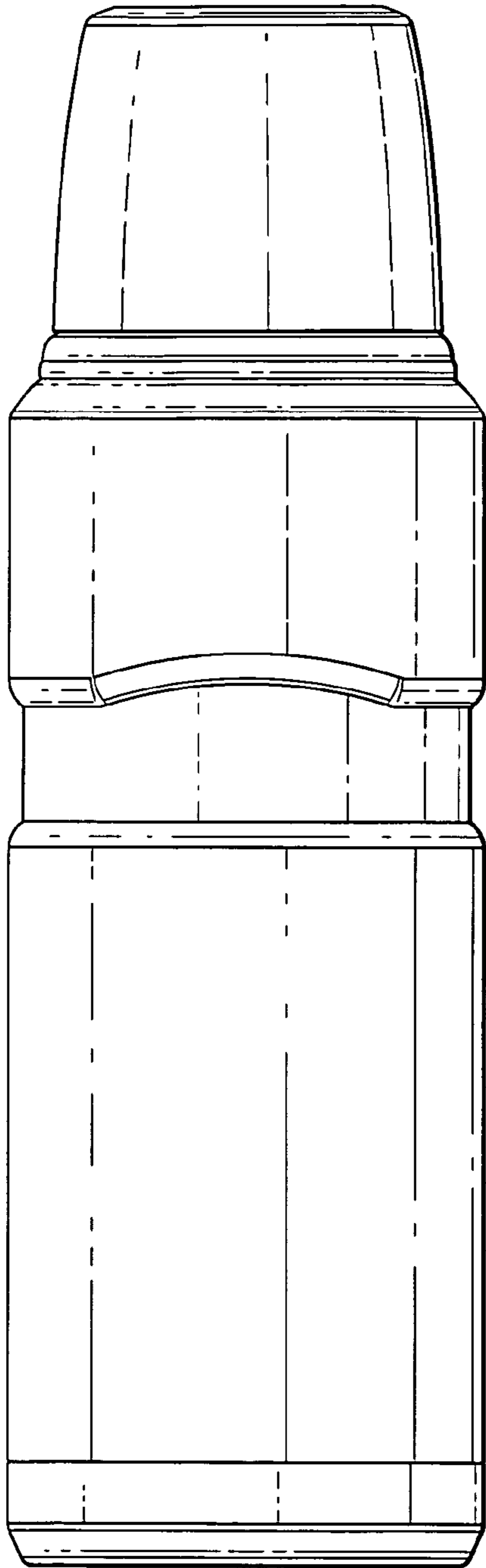


Fig. 4

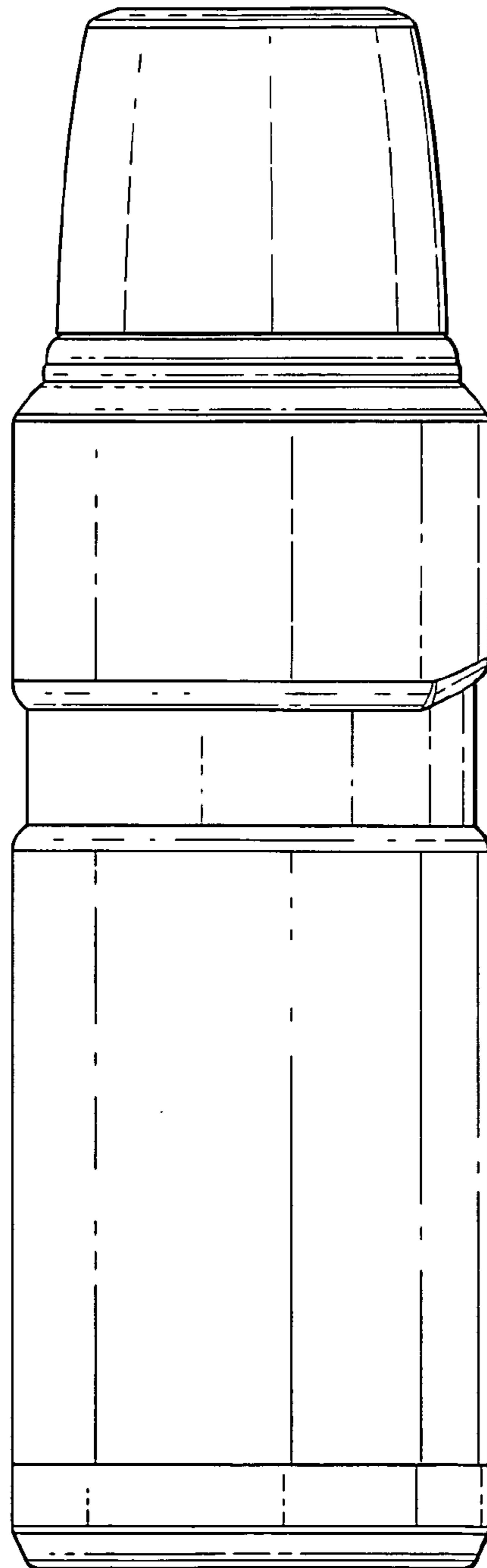


Fig. 5

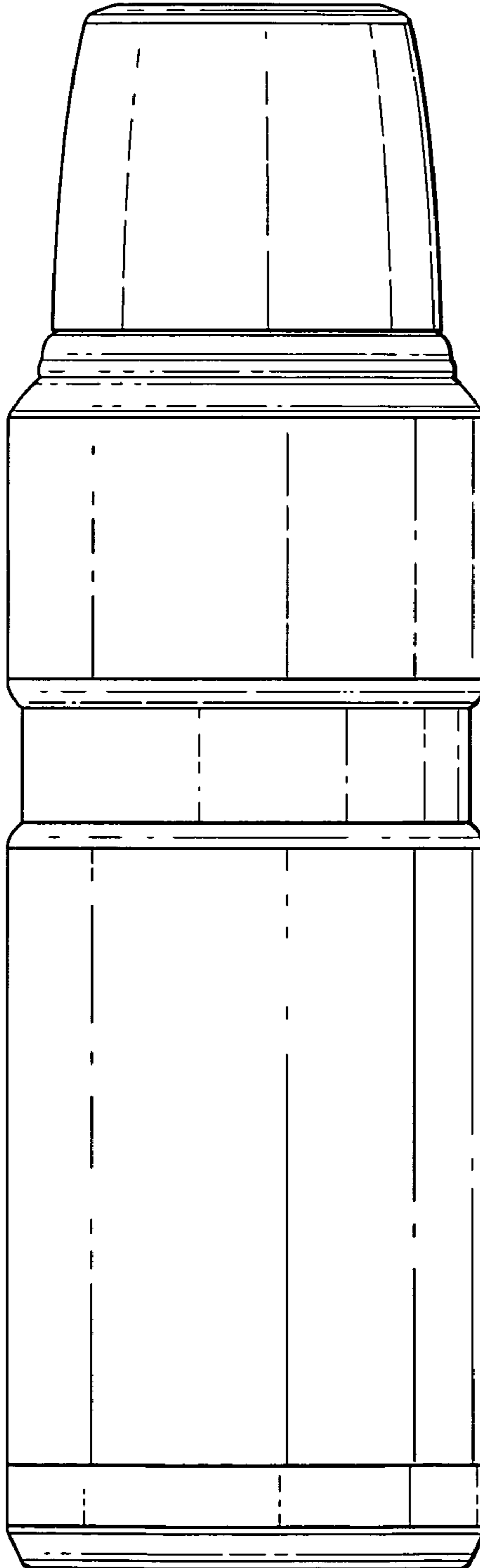


Fig. 6

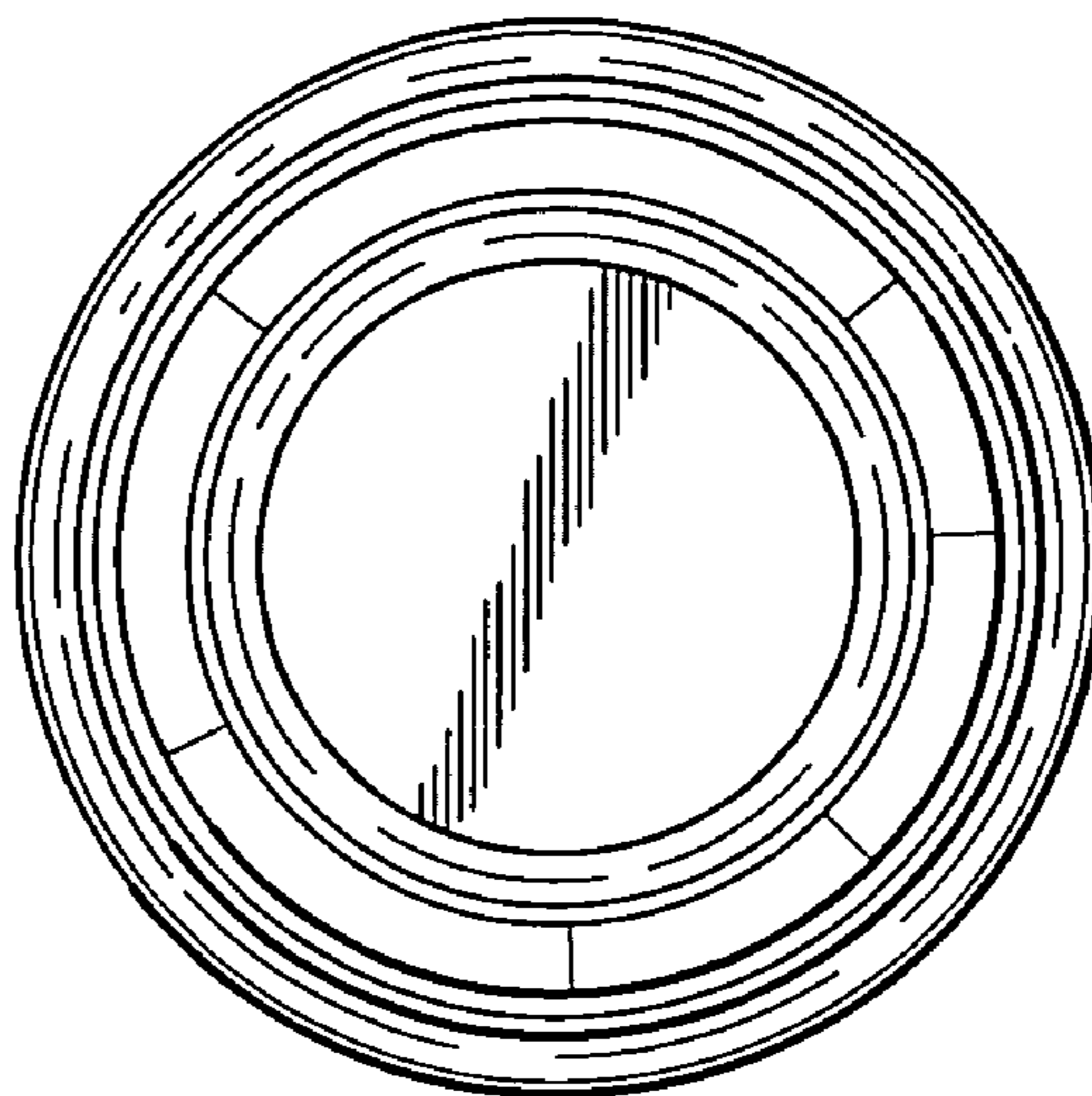


Fig. 7

