



US00D630060S

(12) **United States Design Patent**
DelVecchio

(10) **Patent No.:** **US D630,060 S**
(45) **Date of Patent:** **** Jan. 4, 2011**

(54) **CHILD'S DRINKING CUP WITH TILTED FLOOR**

4,073,192 A 2/1978 Townsend
(Continued)

(76) Inventor: **Jacqueline DelVecchio**, 10 Wilson Ave.
West, East Hanover, NJ (US)
07936-2825

OTHER PUBLICATIONS
Office Action mailed Aug. 18, 2008 for U.S. Appl. No. 11/061,587.
(Continued)

(**) Term: **14 Years**

Primary Examiner—Marianne Pandozzi
(74) *Attorney, Agent, or Firm*—Thomas L. Adams

(21) Appl. No.: **29/344,545**

(22) Filed: **Sep. 30, 2009**

(57) **CLAIM**

(51) **LOC (9) Cl.** **07-01**

The ornamental design for an child's drinking cup with tilted floor, as shown and described.

(52) **U.S. Cl.** **D7/534; D7/509; D7/536**

(58) **Field of Classification Search** D7/531,
D7/529, 509, 523, 507, 532, 534, 533, 536;
220/703, 592.16, 592.17, 526, 603; 215/400,
215/403, 1.5 B; 206/520, 217, 515; D9/503,
D9/424, 431, 428, 433; 229/4.5, 5.5, 400,
229/403, 402; D24/197

See application file for complete search history.

DESCRIPTION

FIG. 1 is a right side elevational view of a child's drinking cup with tilted floor showing a first embodiment of my new design where the inside floor is shown in phantom line;

FIG. 2 is a perspective view of the first and second embodiment of a child's drinking cup with tilted floor;

FIG. 3 is a right side elevational view showing a second embodiment of my new design, with the inside floor being shown in phantom line;

FIG. 4 is a front elevational view of both the first and second embodiments;

FIG. 5 is a top plan view of the first embodiment thereof;

FIG. 6 is a bottom plan view of both the first and second embodiments thereof;

FIG. 7 is a left side elevational view of both the first and second embodiments thereof; and,

FIG. 8 is a top plan view of the second embodiment thereof.

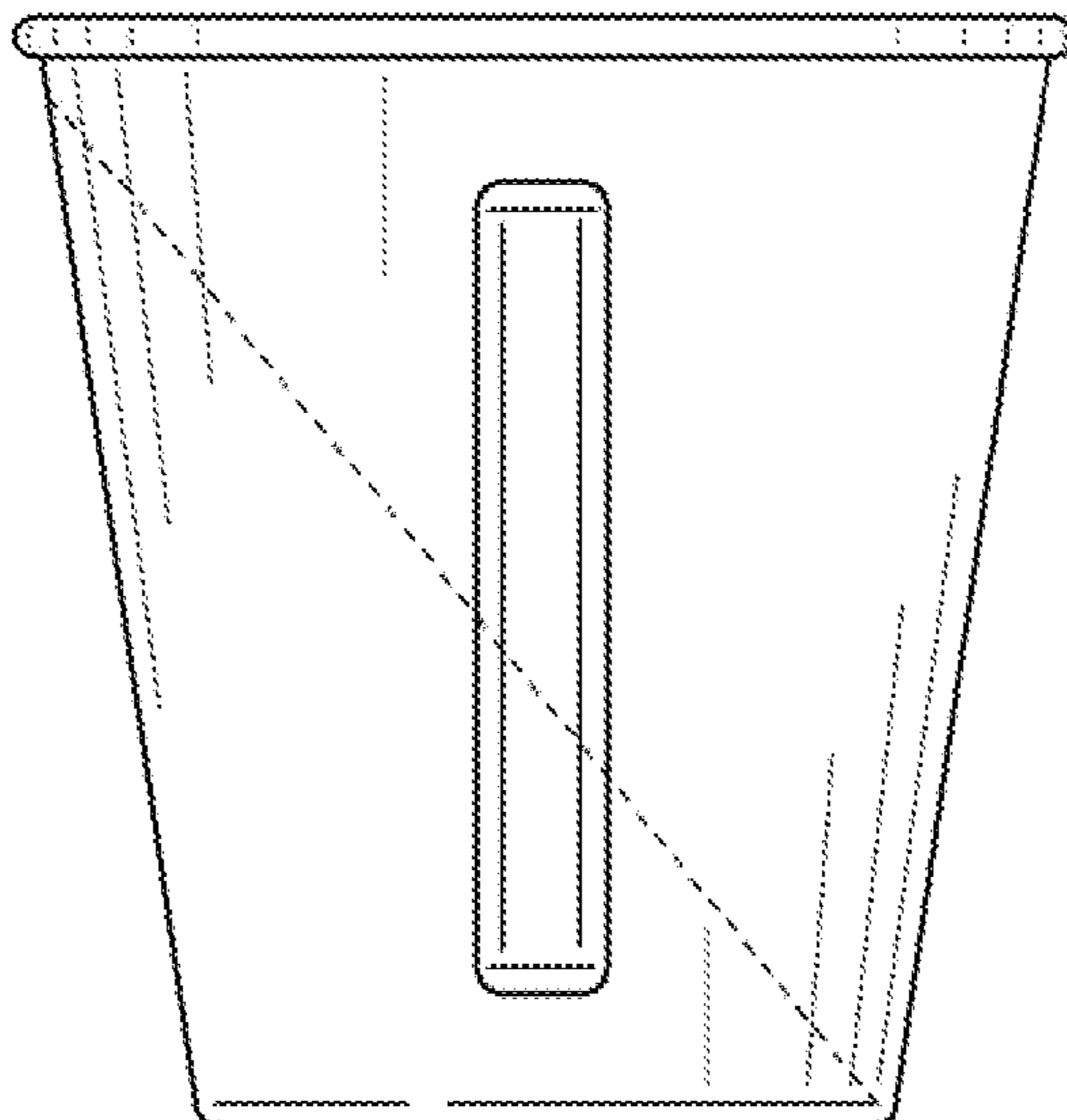
The broken line showing of the tilt of the inside floor is included for the purpose of illustrating the difference between the two embodiments.

(56) **References Cited**

U.S. PATENT DOCUMENTS

| | | | | | |
|-----------|-----|---------|----------------------|-------|---------|
| 2,017,810 | A * | 10/1935 | Bodor et al. | | 229/4.5 |
| 2,150,207 | A * | 3/1939 | Currie | | 229/201 |
| D155,304 | S * | 9/1949 | McKay | | D7/534 |
| 2,601,767 | A | 7/1952 | Wall | | |
| 2,663,450 | A | 12/1953 | Bourcart | | |
| 2,969,901 | A * | 1/1961 | Behrens | | 229/400 |
| 2,988,967 | A * | 6/1961 | Solis Dudnick et al. | | 493/88 |
| 3,182,882 | A * | 5/1965 | Aellen, Jr. et al. | | 229/4.5 |
| 3,268,143 | A * | 8/1966 | Bolcato | | 229/400 |
| 3,409,167 | A * | 11/1968 | Blanchard | | 220/609 |
| 3,468,467 | A * | 9/1969 | Amberg | | 229/403 |
| 3,471,055 | A * | 10/1969 | Bryant | | 206/520 |
| D233,972 | S * | 12/1974 | Juhlin | | D7/511 |
| 3,920,146 | A | 11/1975 | Baller | | |
| 3,940,012 | A | 2/1976 | Addington | | |

1 Claim, 2 Drawing Sheets



US D630,060 S

Page 2

U.S. PATENT DOCUMENTS

4,074,849 A * 2/1978 Davidsson et al. 229/402
4,096,966 A * 6/1978 Korshak 220/603
4,478,346 A 10/1984 Spong
4,850,496 A 7/1989 Rudell et al.
D306,387 S * 3/1990 Junkman D7/534
4,936,719 A * 6/1990 Peters 407/42
4,951,839 A 8/1990 Kong
4,955,503 A * 9/1990 Propes 220/526
5,025,981 A * 6/1991 Schellenberg 229/118
5,040,719 A 8/1991 Ballway
5,042,258 A 8/1991 Sundhar
D352,201 S * 11/1994 Spence, Jr. D7/534
D366,988 S * 2/1996 Nowak D7/534
5,544,808 A * 8/1996 Aloisi et al. 229/400
5,705,209 A 1/1998 Wright et al.
6,010,062 A * 1/2000 Shimono 229/400
6,116,448 A 9/2000 Fragos
D439,472 S * 3/2001 Wang D7/509
6,206,229 B1 * 3/2001 Harjes 220/669
D449,961 S * 11/2001 Miura D7/507

6,467,641 B1 10/2002 Minogue
6,688,135 B1 2/2004 Mattia et al.
D517,370 S * 3/2006 Kingsley D7/532
D519,321 S * 4/2006 Sands D7/523
D545,132 S * 6/2007 Bhavnani D7/536
D548,526 S * 8/2007 Huffman et al. D7/523
D552,930 S * 10/2007 Huffman et al. D7/523
7,311,243 B1 * 12/2007 Konzal 229/400
D567,590 S * 4/2008 Bodum D7/536
D587,528 S * 3/2009 Trombly D7/536
7,552,841 B2 * 6/2009 Hollis et al. 220/703
D597,795 S * 8/2009 Ford D7/624.2
D611,301 S * 3/2010 Amano D7/509
D613,997 S * 4/2010 Kingsley D7/536
D617,608 S * 6/2010 Yang et al. D7/523
2002/0170917 A1 11/2002 Gallo, Jr.

OTHER PUBLICATIONS

Office Action mailed Feb. 26, 2009 for U.S. Appl. No. 11/061,587.

* cited by examiner

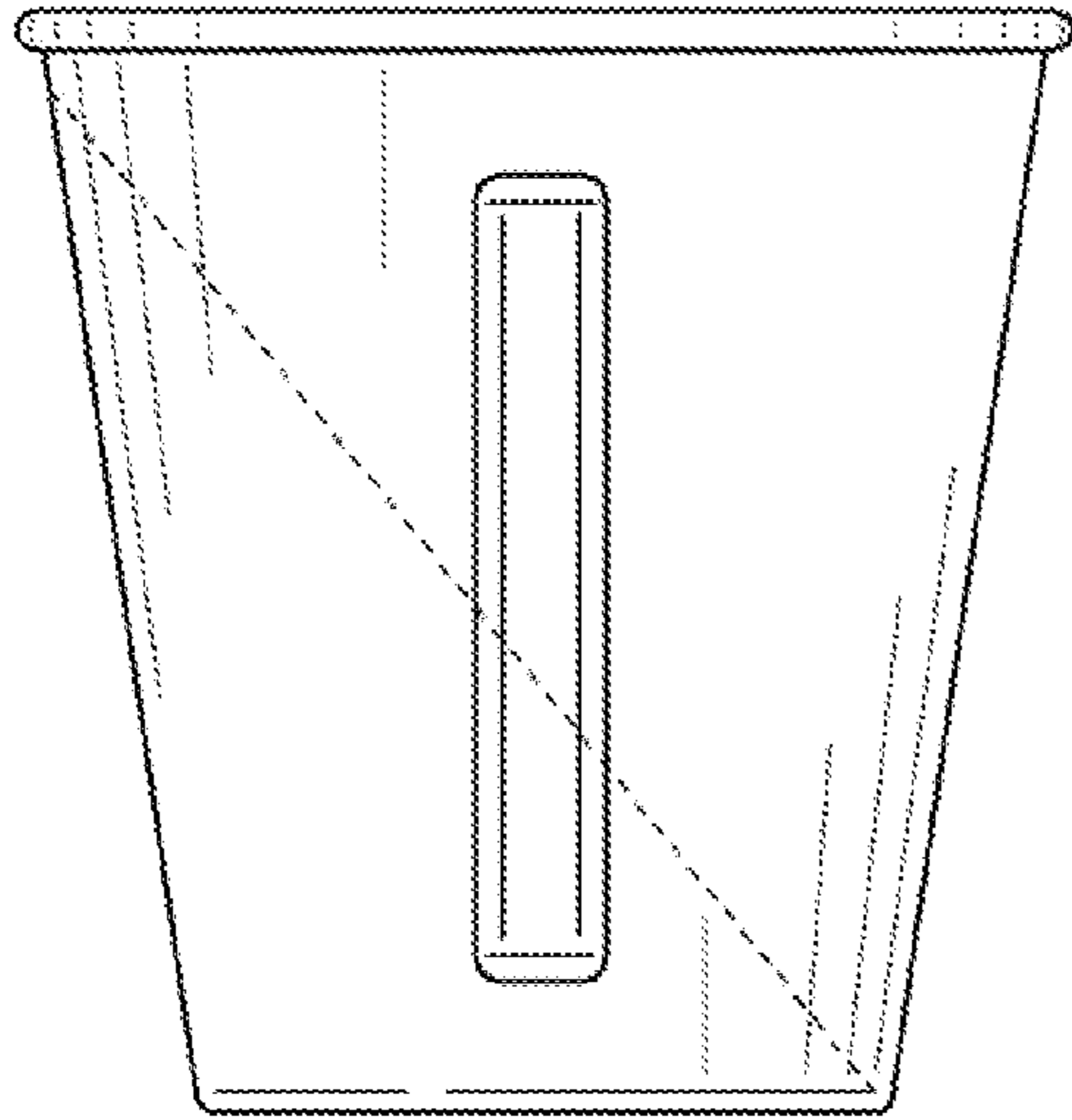


FIG. 1

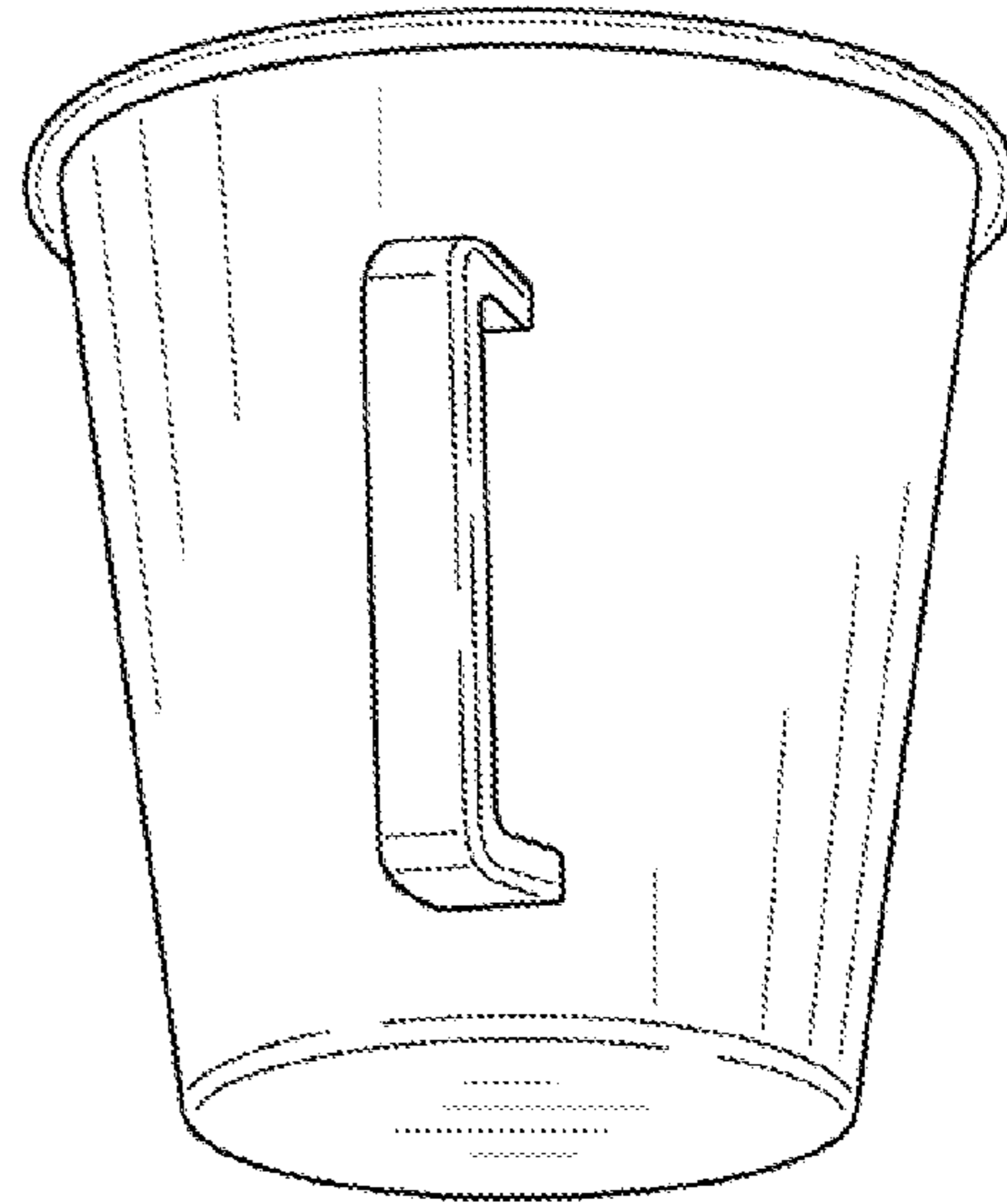


FIG. 2

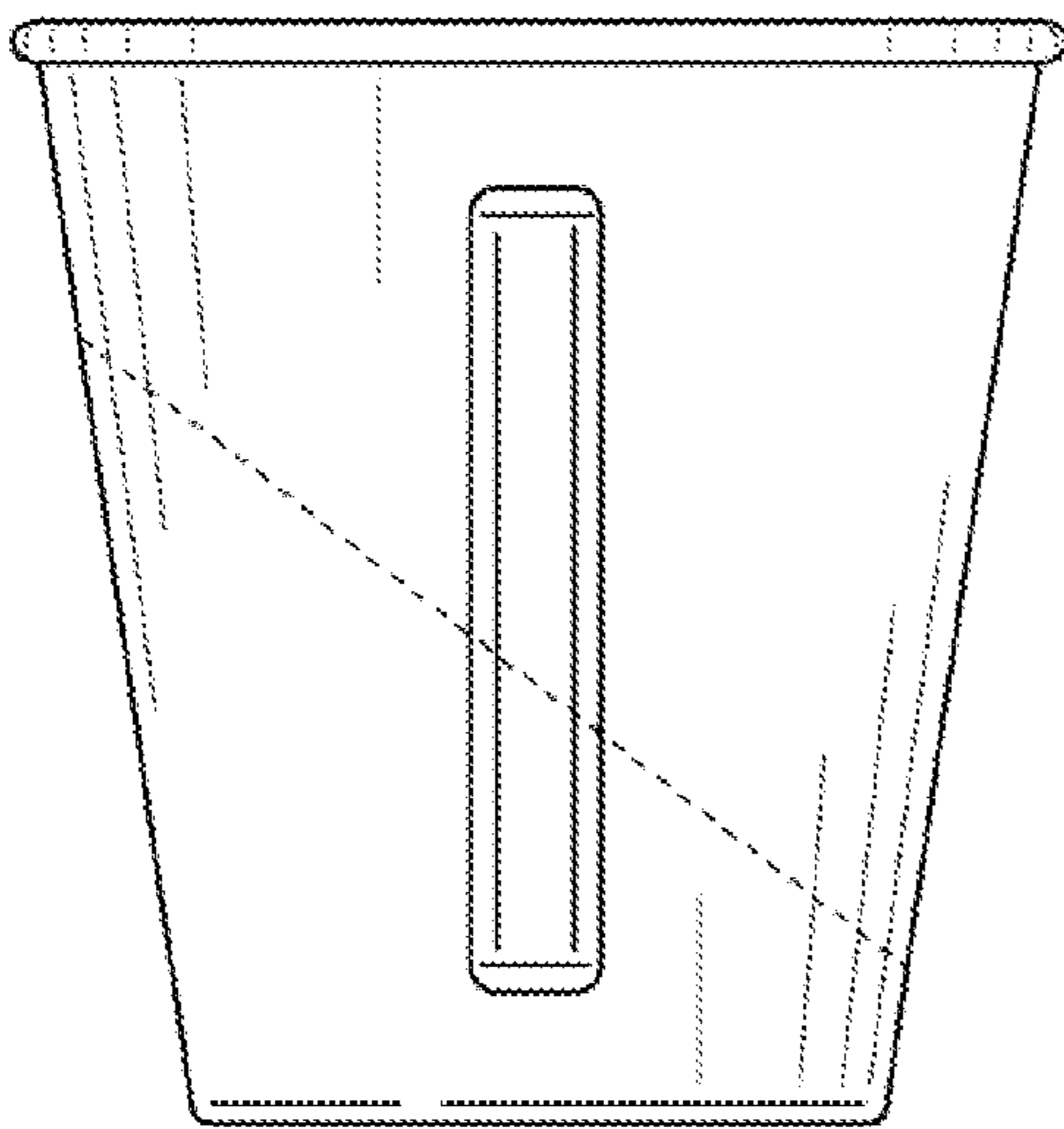


FIG. 3

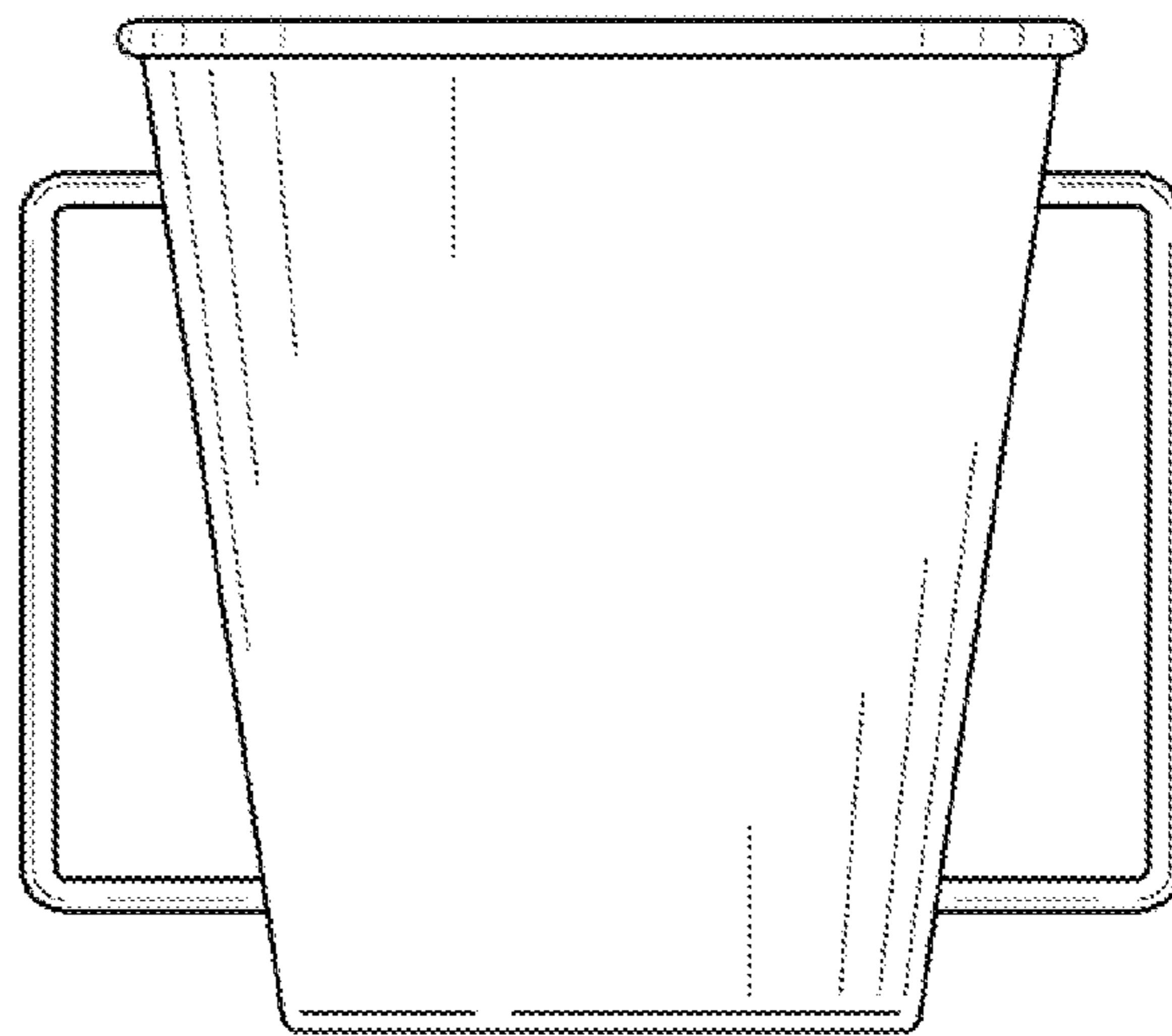


FIG. 4

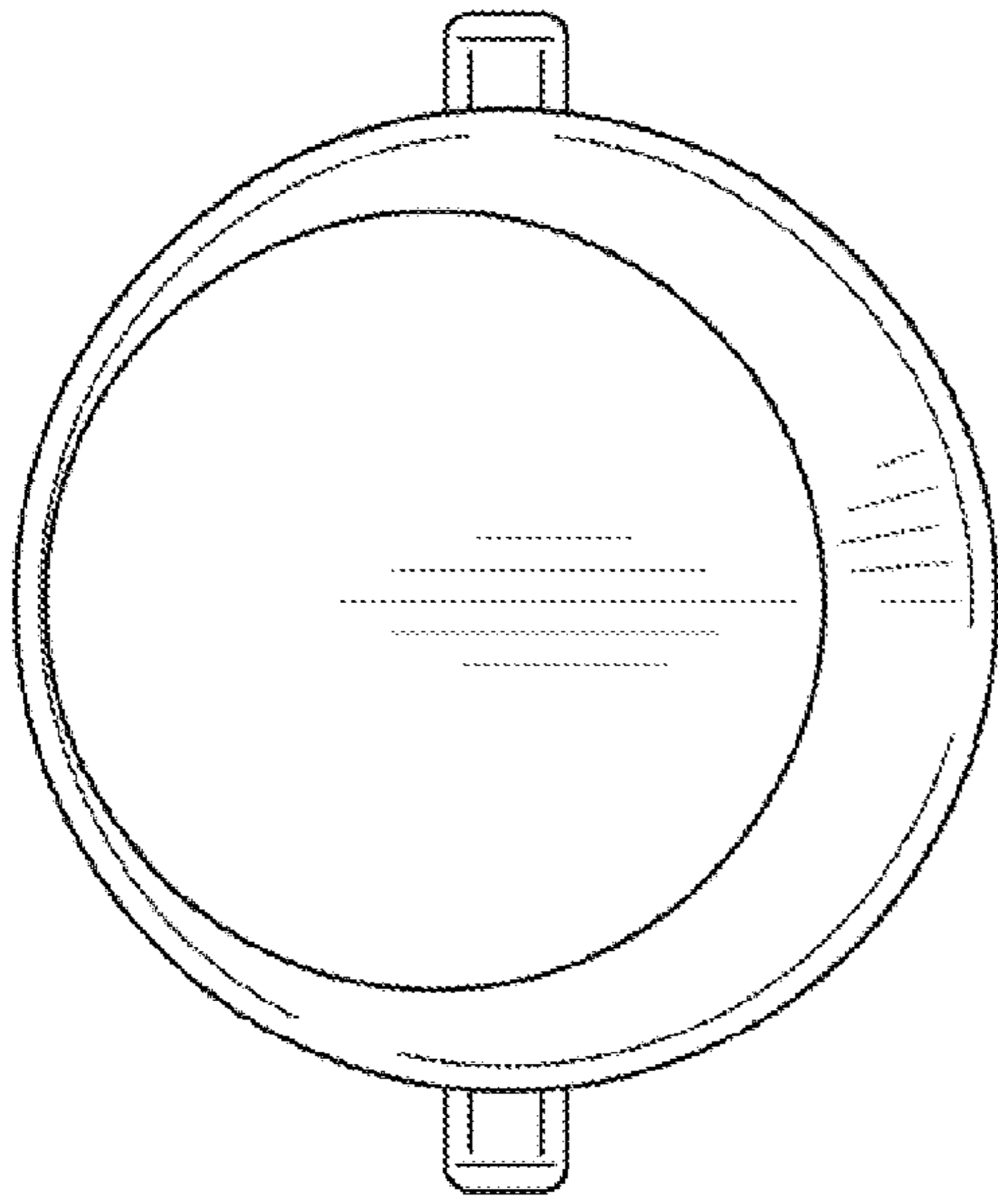


FIG. 5

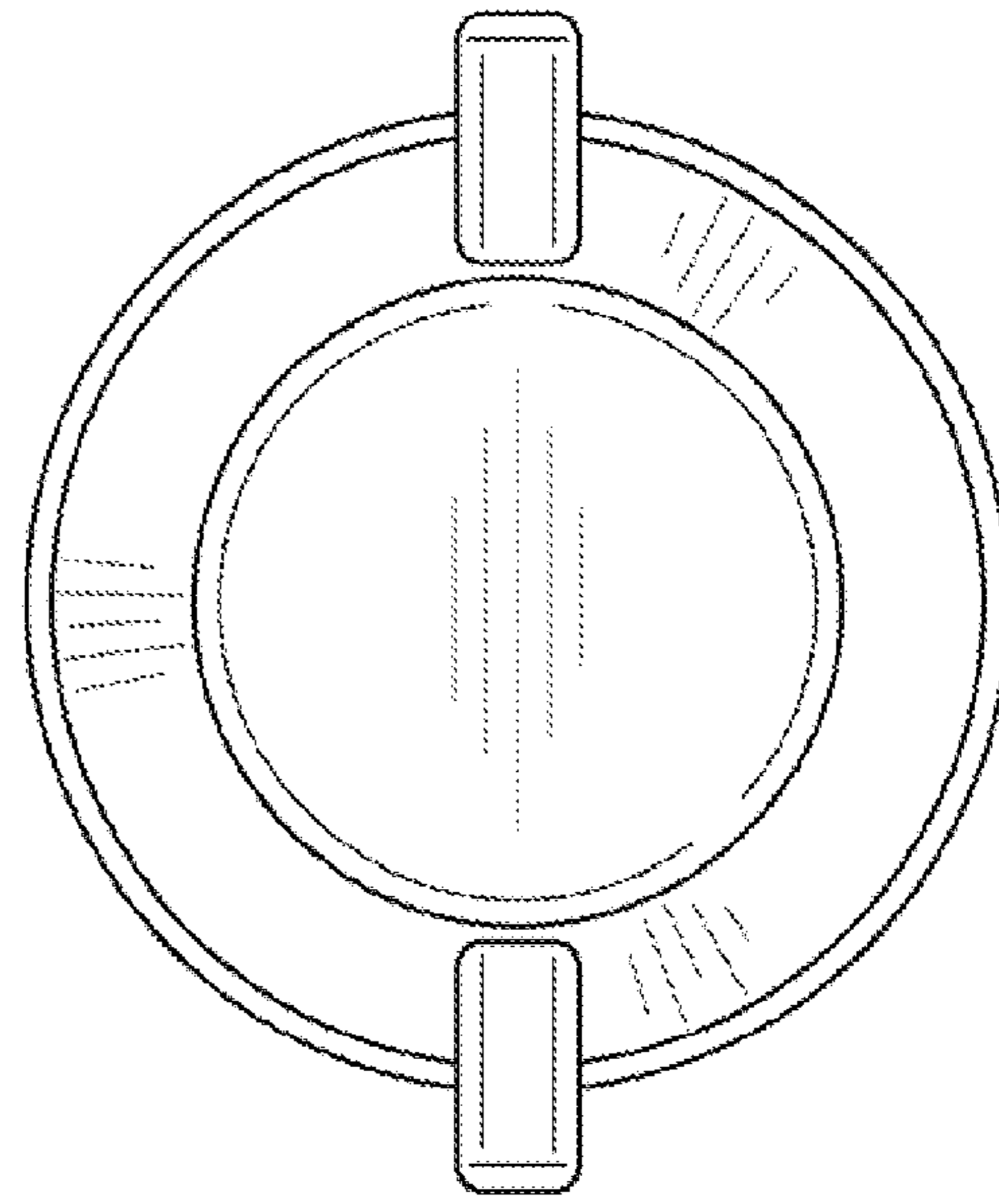


FIG. 6

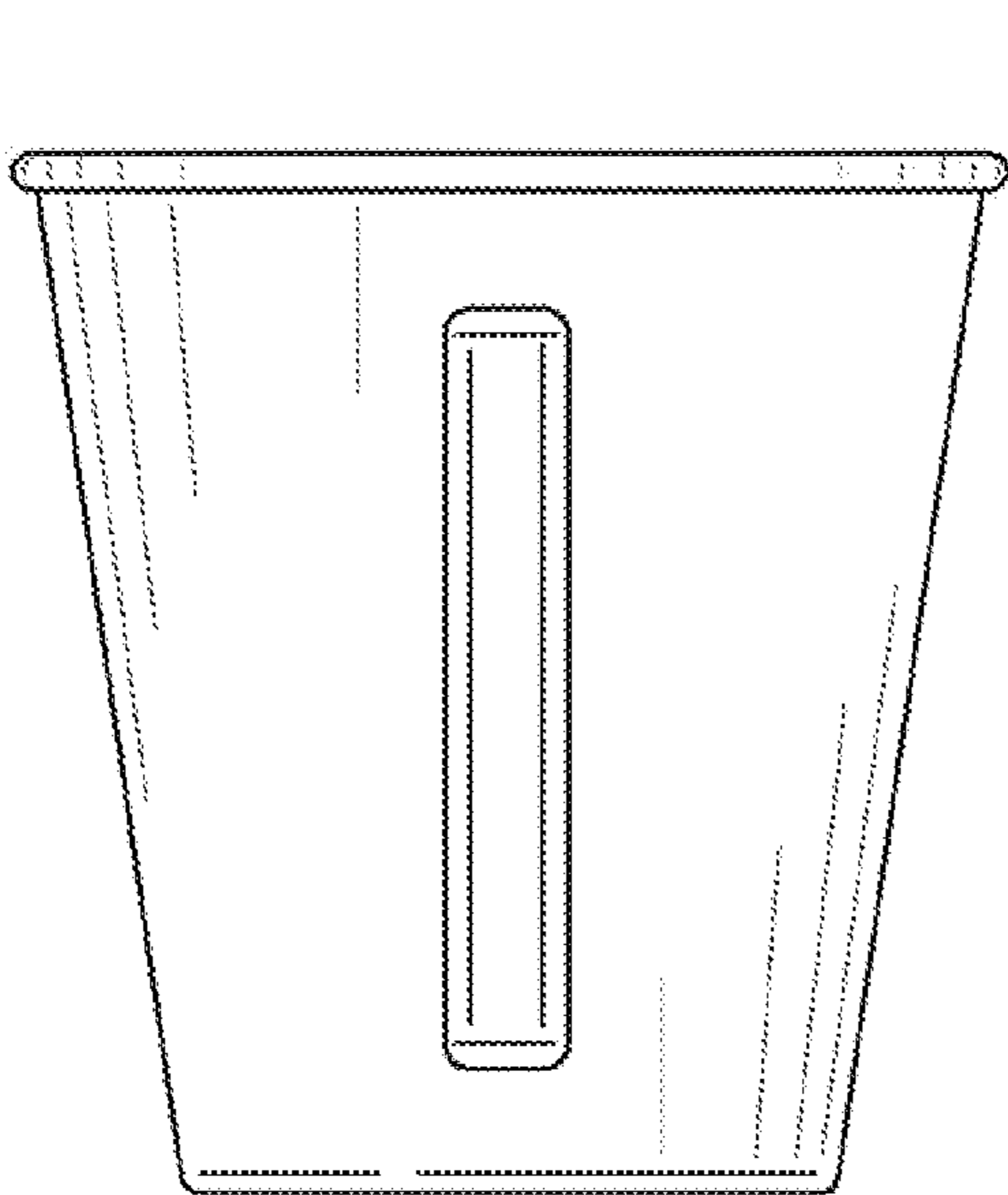


FIG. 7

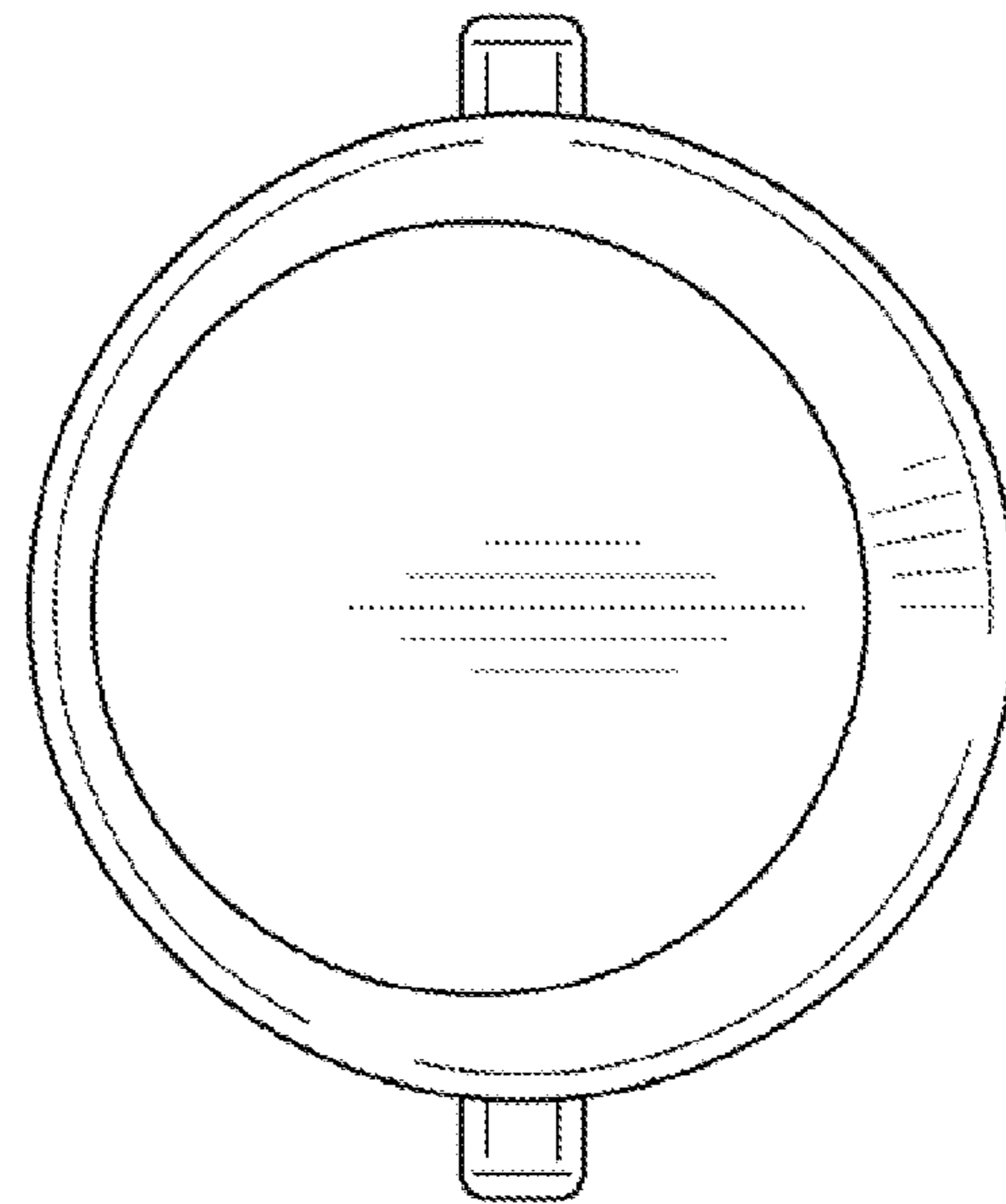


FIG. 8