



US00D630058S

(12) **United States Design Patent**
Tardif

(10) **Patent No.:** **US D630,058 S**
(45) **Date of Patent:** **** Jan. 4, 2011**

(54) **SEAL OF A CAP FOR A CONDIMENT CONTAINER**

D563,785 S * 3/2008 Maki et al. D9/454
D581,787 S * 12/2008 Davis et al. D9/447

(75) Inventor: **Pierre Tardif**, Longueuil (CA)

(73) Assignee: **Trudeau Corporation 1889 Inc.**,
Quebec (CA)

(**) Term: **14 Years**

(21) Appl. No.: **29/337,679**

(22) Filed: **May 27, 2009**

(51) **LOC (9) Cl.** **07-06**

(52) **U.S. Cl.** **D7/401.1; D9/434; D9/447**

(58) **Field of Classification Search** D7/401.1,
D7/590–597; D9/434, 435, 447, 454; 222/142.1–142.9,
222/480, 498, 499, 505, 544, 556, 562; 215/317,
215/344, 224; 220/281, 306
See application file for complete search history.

(56) **References Cited**

U.S. PATENT DOCUMENTS

2,218,308 A * 10/1940 Comer 215/317
D183,622 S * 9/1958 Libit D9/447
2,937,793 A * 5/1960 Cornelius 222/562
3,934,745 A * 1/1976 Lovell 215/224
D309,553 S * 7/1990 Daenen et al. D7/591
5,597,096 A * 1/1997 Jeppesen et al. 222/498
D381,867 S * 8/1997 Jeppesen et al. D7/401.1
D457,433 S * 5/2002 Costanzo et al. D9/454
D533,962 S * 12/2006 Angeletta D9/447

OTHER PUBLICATIONS

U.S. Appl. No. 12/336,756, filed Dec. 17, 2008, Tardif.

* cited by examiner

Primary Examiner—Terry A Wallace

(74) *Attorney, Agent, or Firm*—Fish & Richardson P.C.

(57) **CLAIM**

I claim the ornamental design for a seal of a cap for a condiment container, substantially as shown and described.

DESCRIPTION

FIG. 1 is a perspective view of a seal of a cap for a condiment container according to the present design, the seal being shown in a closed position;

FIG. 2 is a front elevational view of the seal of FIG. 1, the sides and rear elevational views thereof being identical;

FIG. 3 is a top view of the seal of FIG. 1;

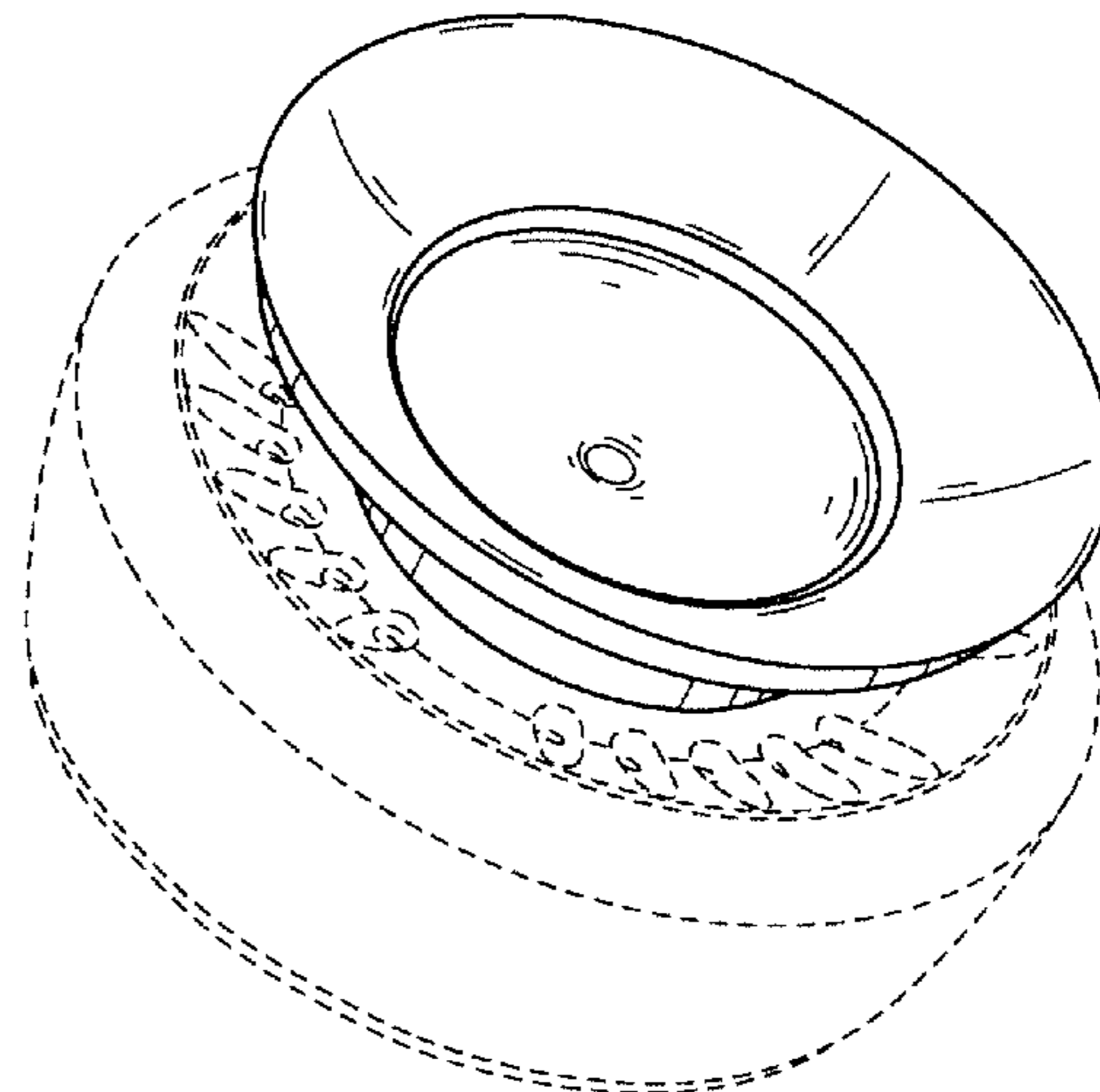
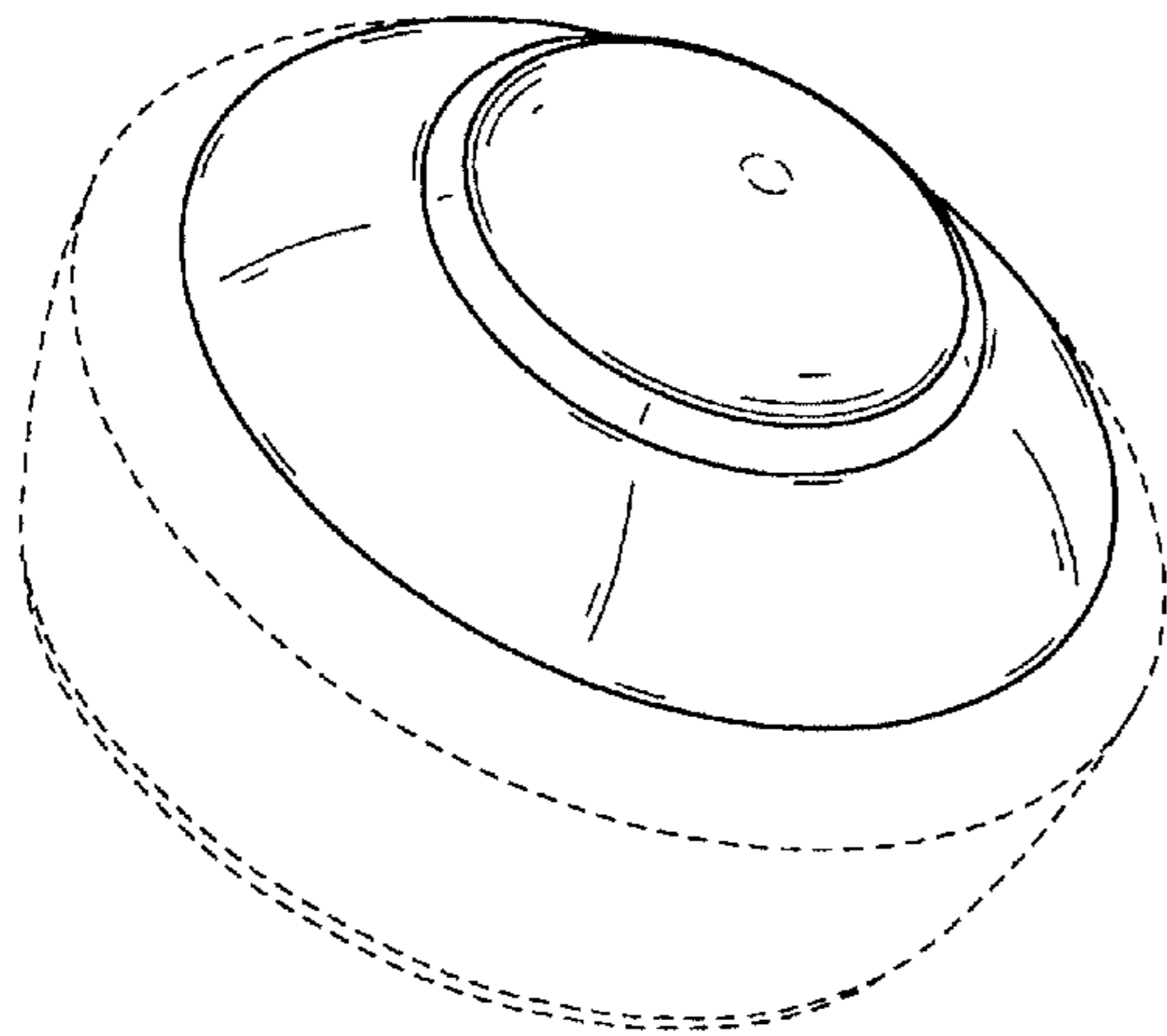
FIG. 4 is a perspective view of the seal of a cap for a condiment container, shown in an open position;

FIG. 5 is a front elevational view of the seal of FIG. 4, the sides and rear elevational views thereof being identical; and,

FIG. 6 is a top view of the seal of FIG. 4.

The broken lines form no part of the design and are for illustrative purposes only.

1 Claim, 4 Drawing Sheets



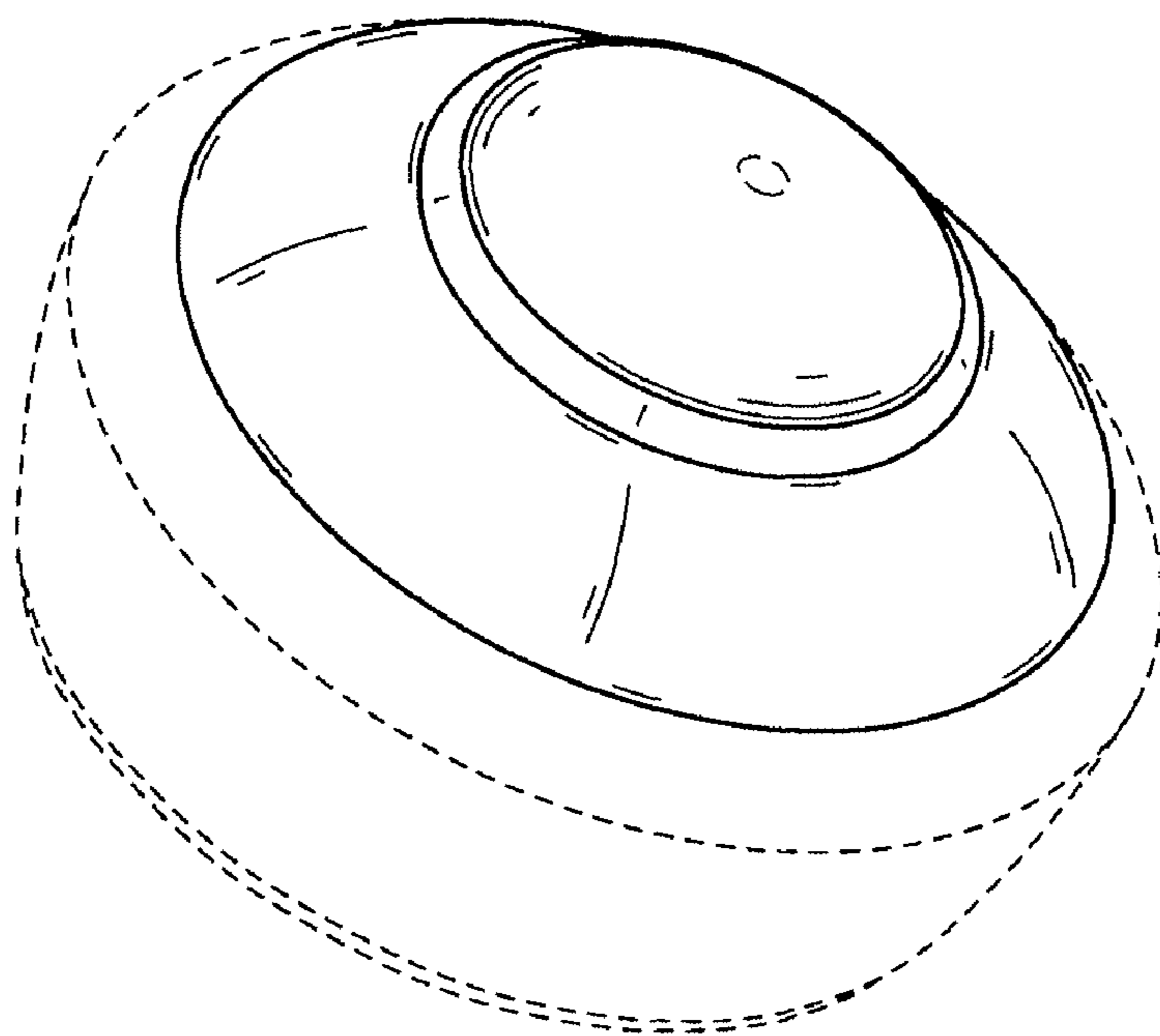


FIG. 1

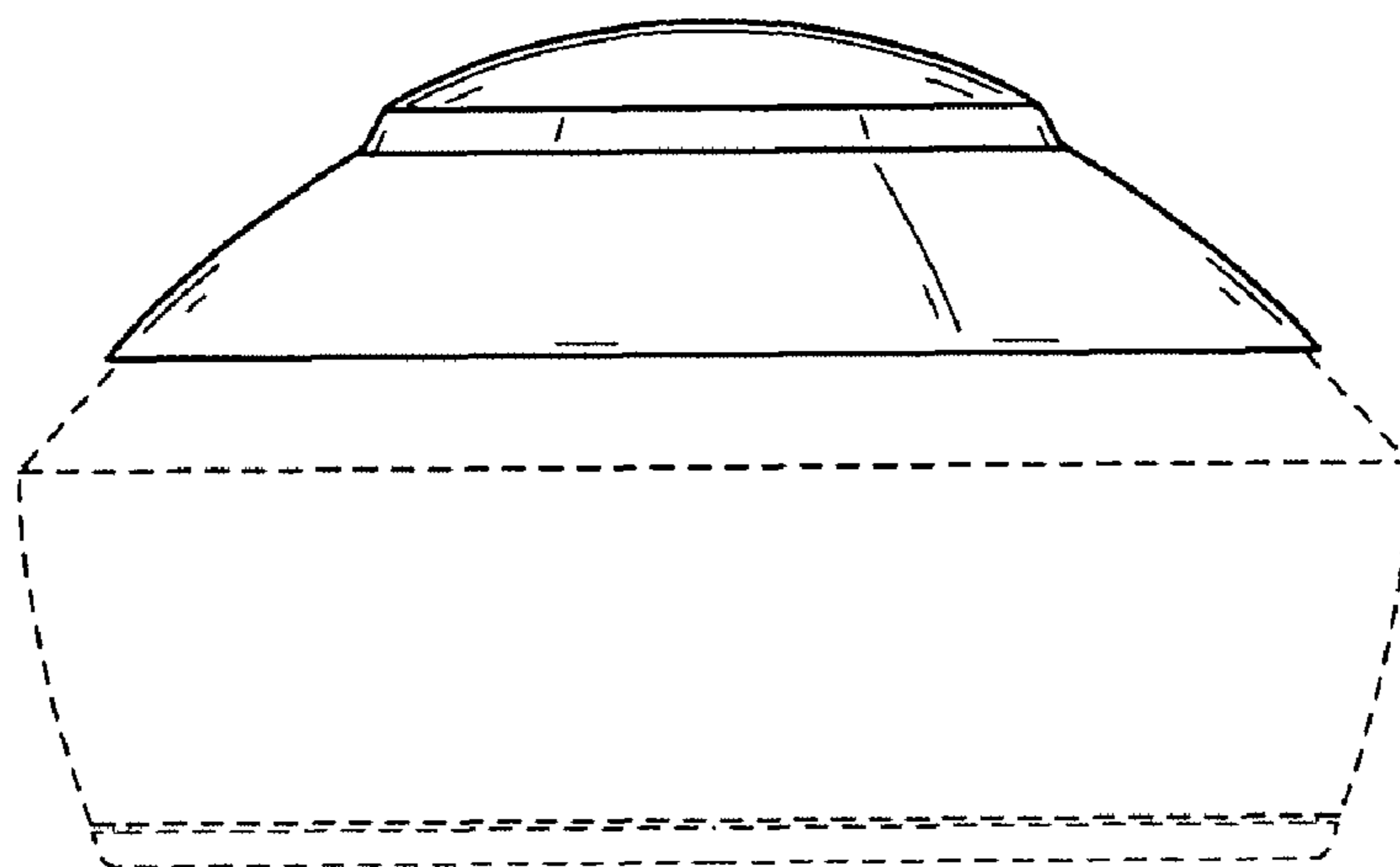


FIG. 2

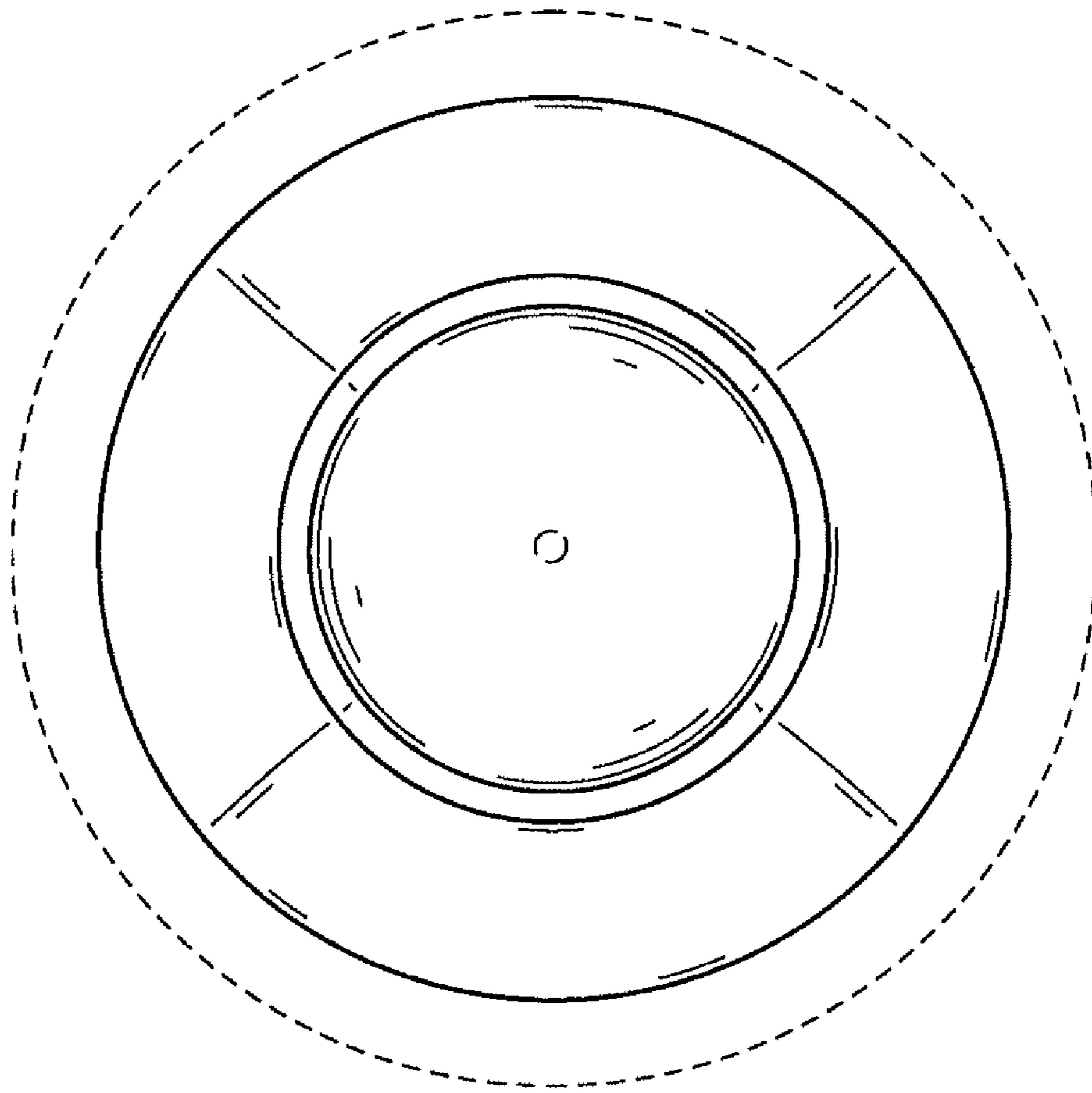


FIG. 3

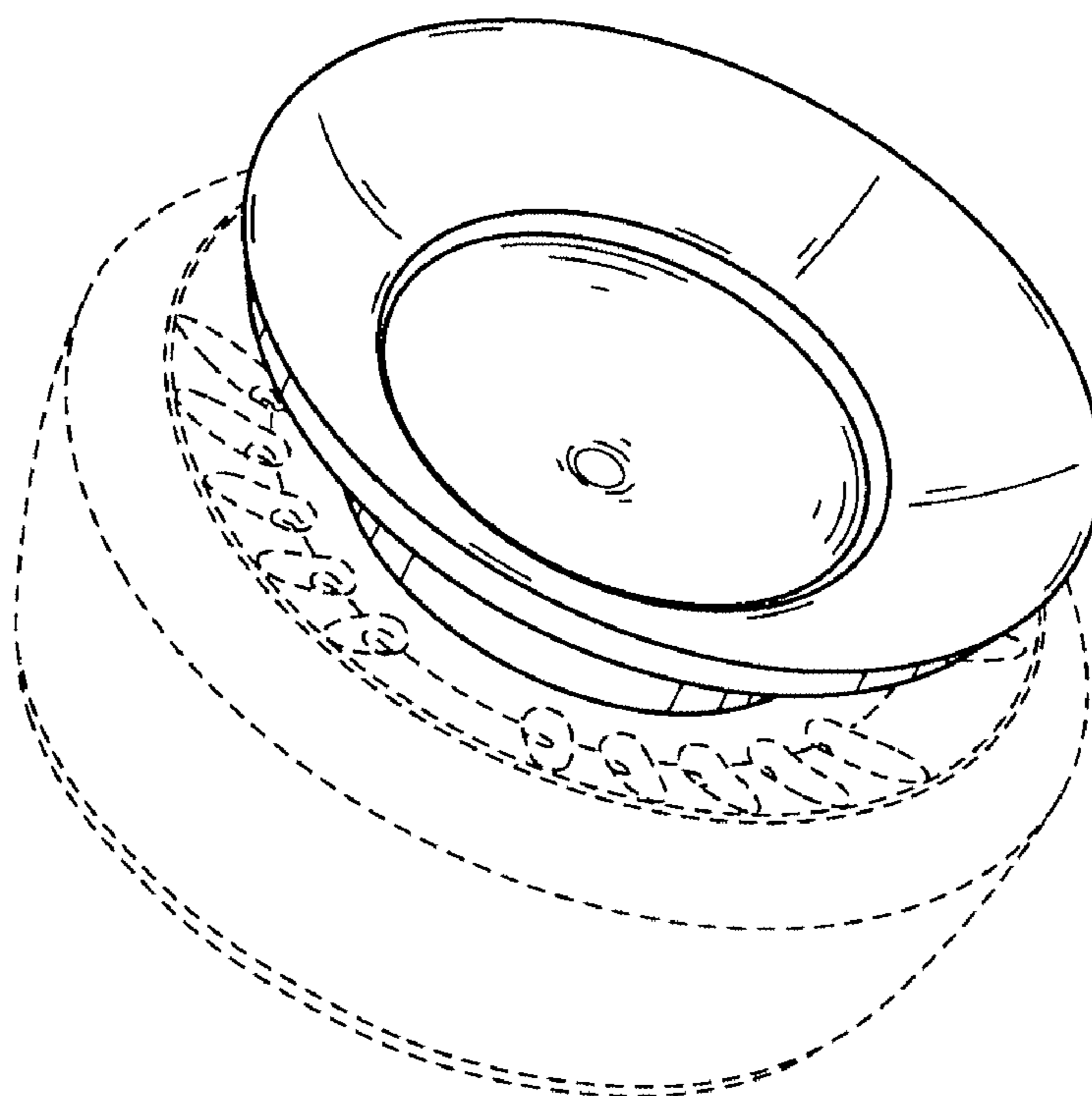


FIG. 4

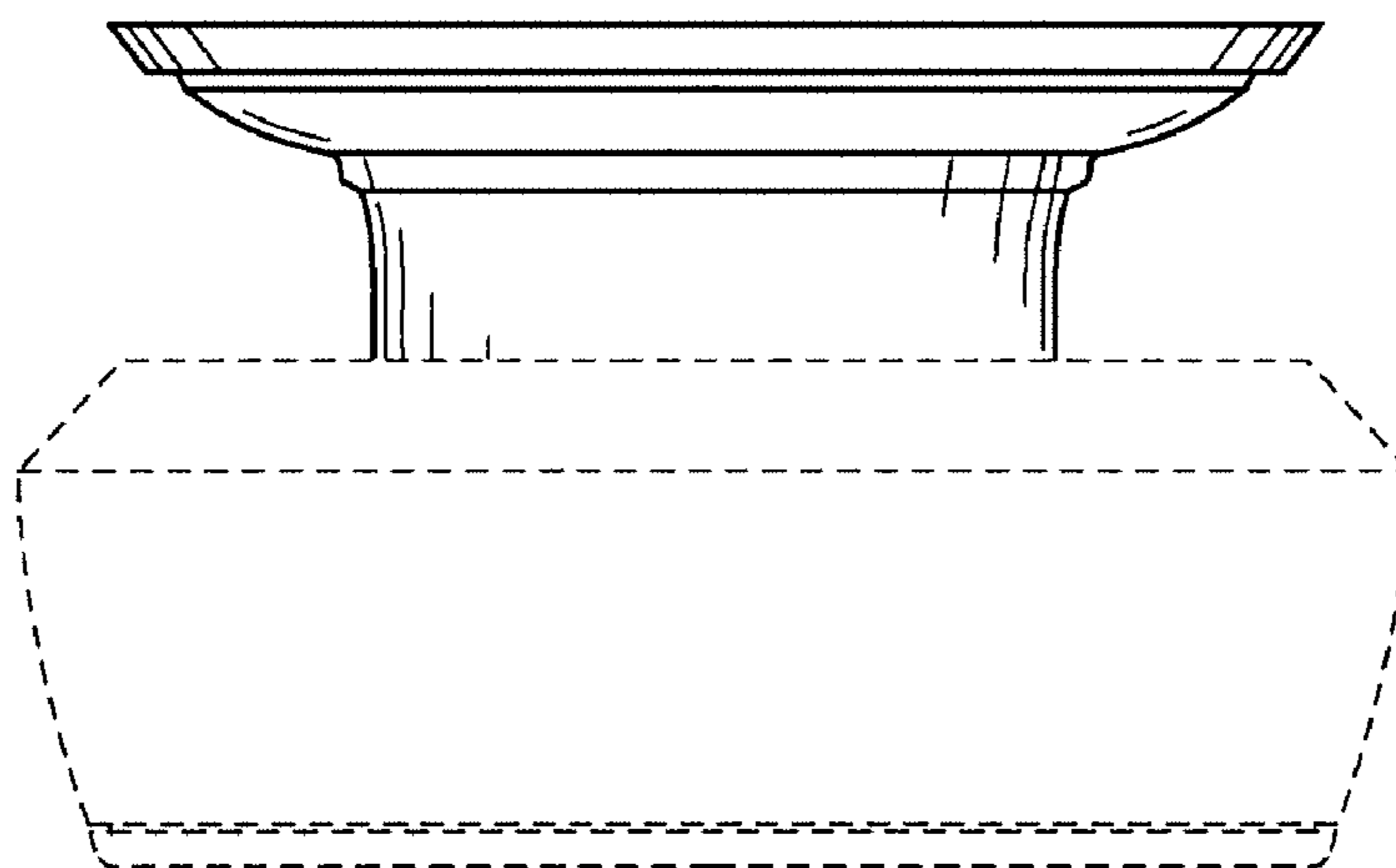


FIG. 5

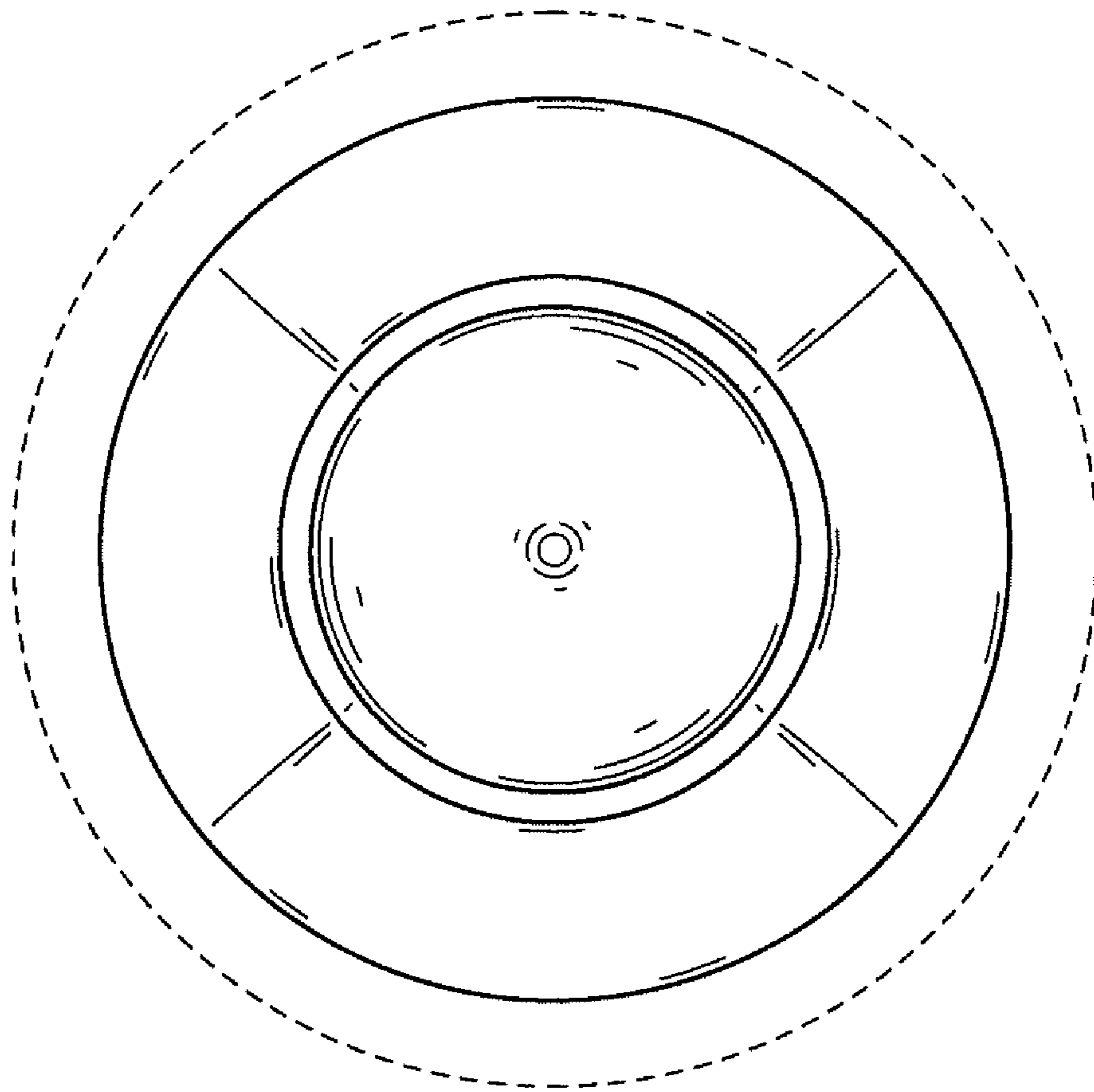


FIG. 6