



US00D630057S

(12) **United States Design Patent**
Rae

(10) **Patent No.:** **US D630,057 S**
(45) **Date of Patent:** **** Jan. 4, 2011**

(54) **ROUNDED GRIP COOKWARE SIDE HANDLE**

(75) Inventor: **Robert A Rae**, Las Vegas, NV (US)

(73) Assignee: **Meyer Intellectual Properties Limited**
(VG)

(**) Term: **14 Years**

(21) Appl. No.: **29/349,945**

(22) Filed: **May 20, 2010**

(51) **LOC (9) Cl.** **07-02**

(52) **U.S. Cl.** **D7/395**

(58) **Field of Classification Search** D7/354–361,
D7/393–395, 401.2, 664; D8/80, 83, 107,
D8/300, 303, 307, 313, 321; D4/138, 129;
16/421, 430, 431, 110.1, 407; 220/573.1–573.5,
220/752, 753, 755, 756, 759, 767, 771, 912
See application file for complete search history.

(56) **References Cited**

U.S. PATENT DOCUMENTS

D438,055 S * 2/2001 Munari D7/395
D442,025 S * 5/2001 Rae D7/395
D445,642 S * 7/2001 Rae D7/393
6,419,107 B1 * 7/2002 Cheng 220/573.1
D482,567 S * 11/2003 Demers D7/395
D491,016 S * 6/2004 Rae D7/395
D497,513 S * 10/2004 Rae D7/394
D501,358 S * 2/2005 LoGiudice et al. D7/395

D512,602 S * 12/2005 Spagnolo D7/395
D523,690 S * 6/2006 Giannone D7/395
D560,427 S * 1/2008 Prakasa et al. D7/395
D580,703 S * 11/2008 Devries D7/393
D580,704 S * 11/2008 Robson D7/393
D581,729 S * 12/2008 Rico D7/395
D582,208 S * 12/2008 Robson D7/395

* cited by examiner

Primary Examiner—Cynthia M Chin

(74) *Attorney, Agent, or Firm*—Edward S. Sherman

(57) **CLAIM**

The ornamental design for a rounded grip cookware side handle, as shown and described.

DESCRIPTION

FIG. 1 is a perspective view from above of the “rounded grip cookware side handle”, showing my new design;

FIG. 2 is a top plan view thereof;

FIG. 3 is a front elevation view thereof;

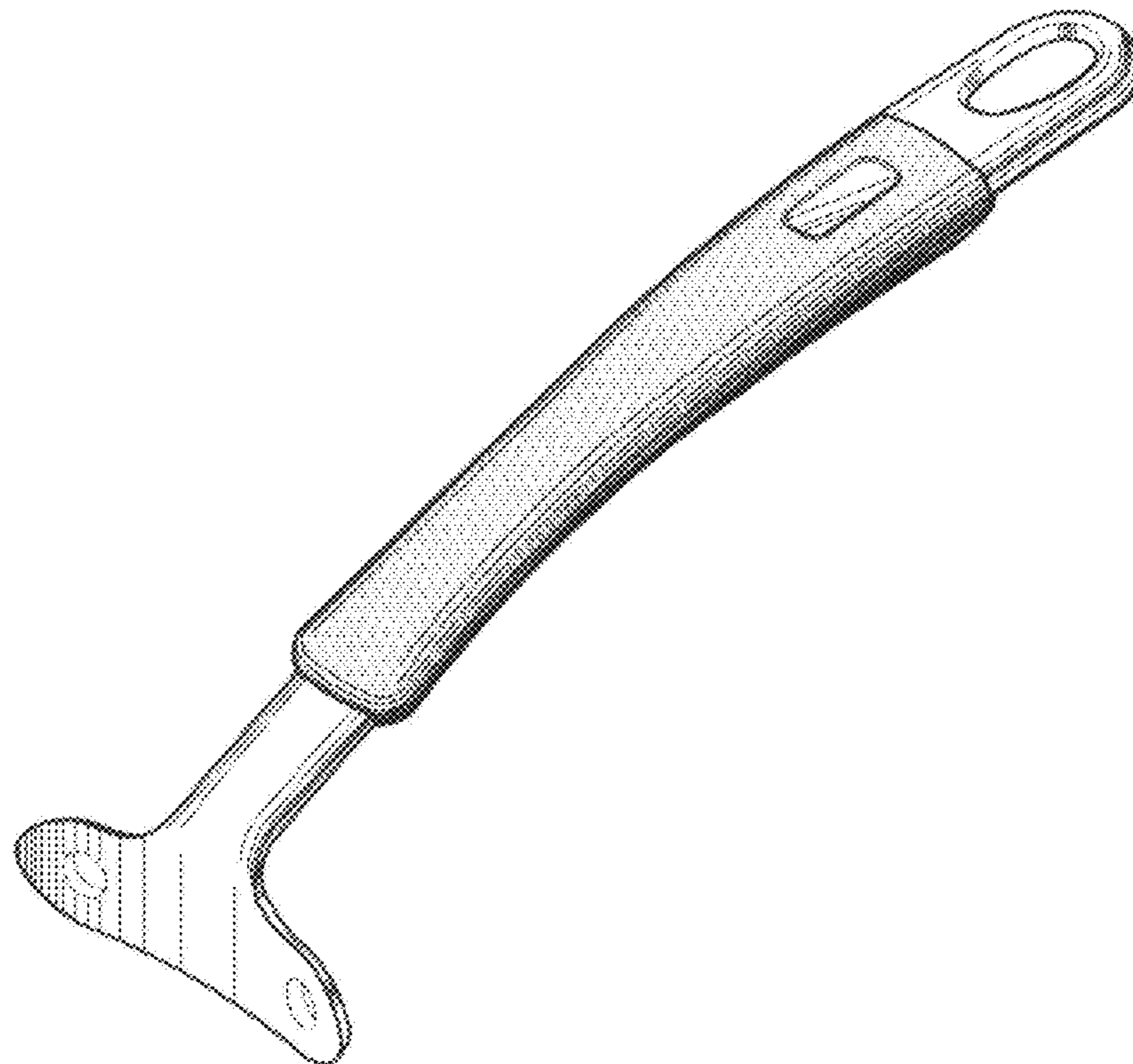
FIG. 4 is a side elevation view thereof;

FIG. 5 is a bottom plan view thereof; and,

FIG. 6 is a back elevation view.

The broken lines in FIGS. 1, 3, 4, and 6, are for illustrative purposes only, depicting the environment of the new design, forming no part thereof as claimed.

1 Claim, 3 Drawing Sheets



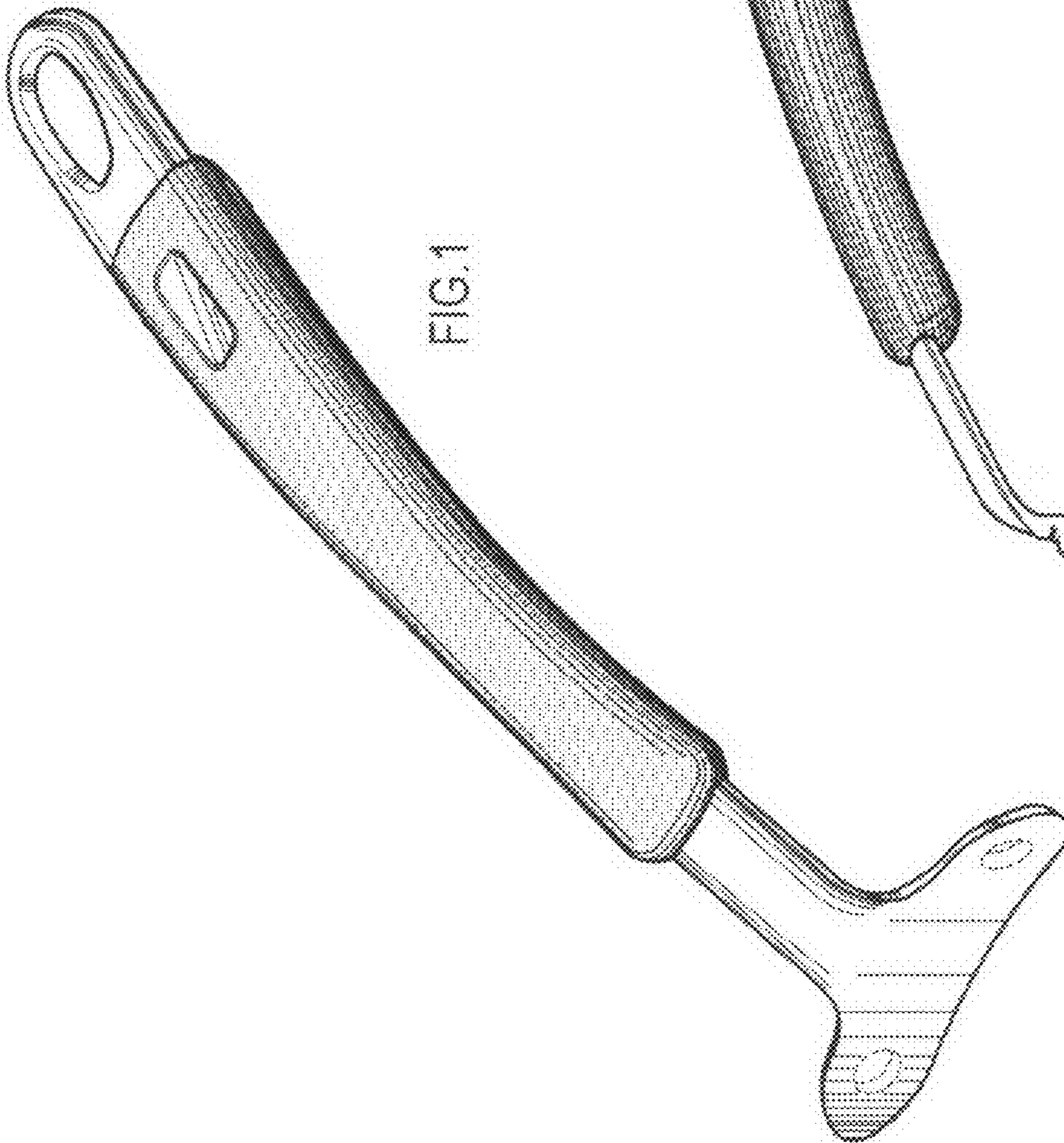


FIG. 1

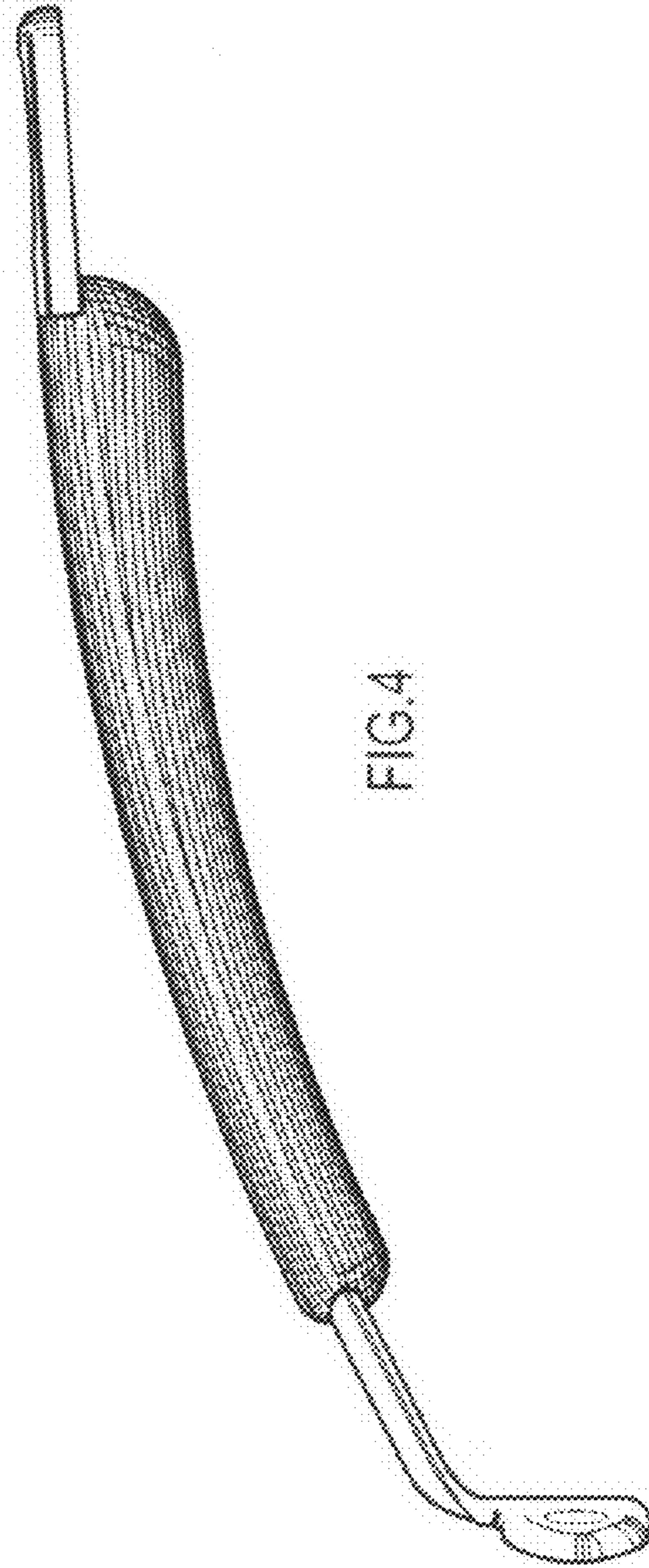


FIG. 4

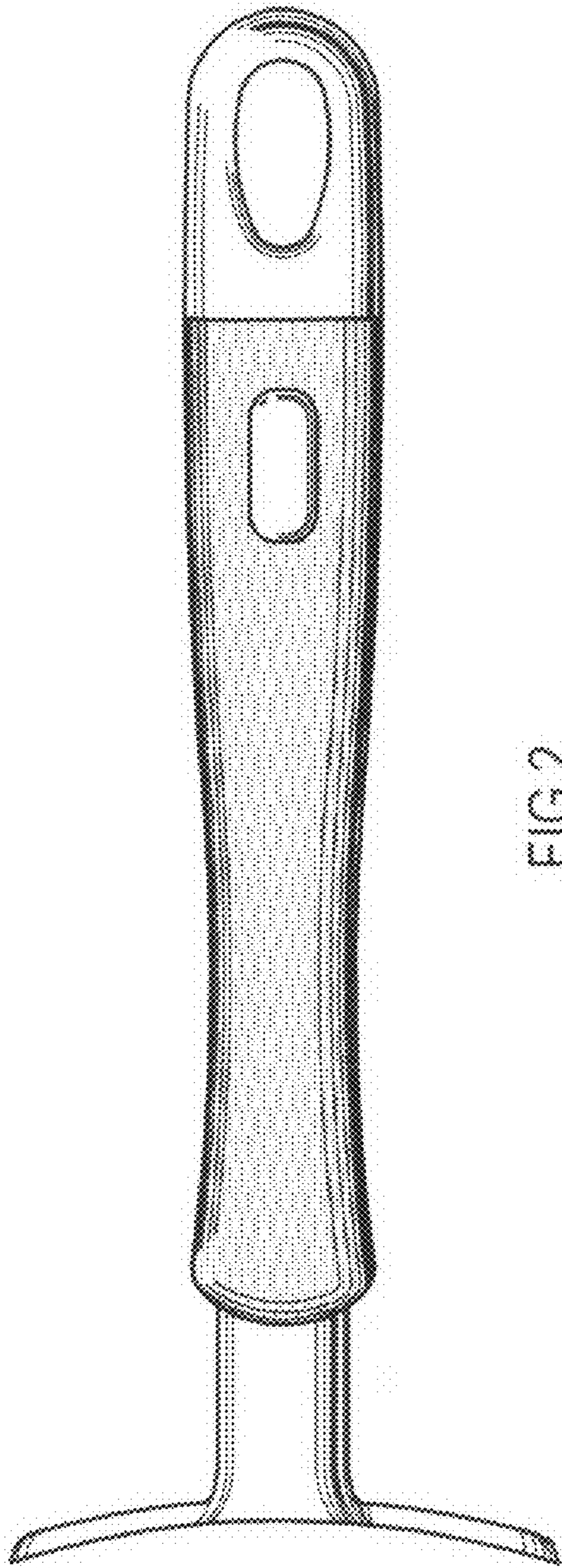


FIG. 2

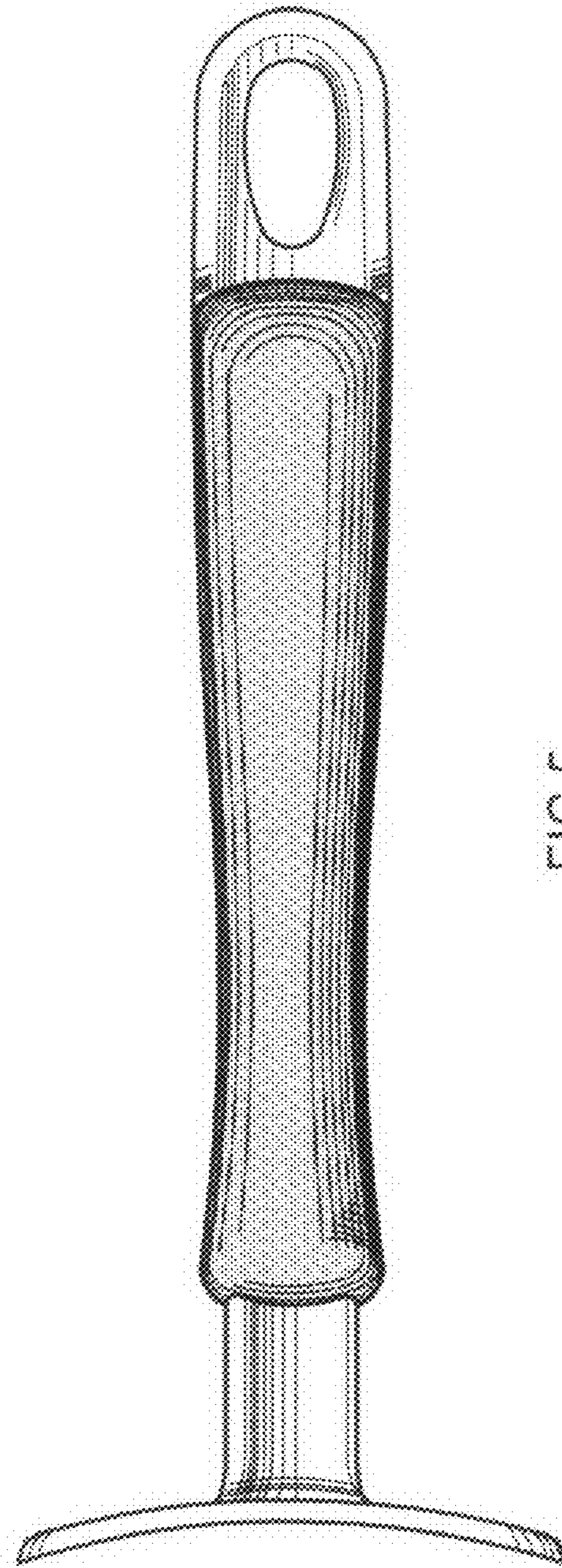


FIG. 5

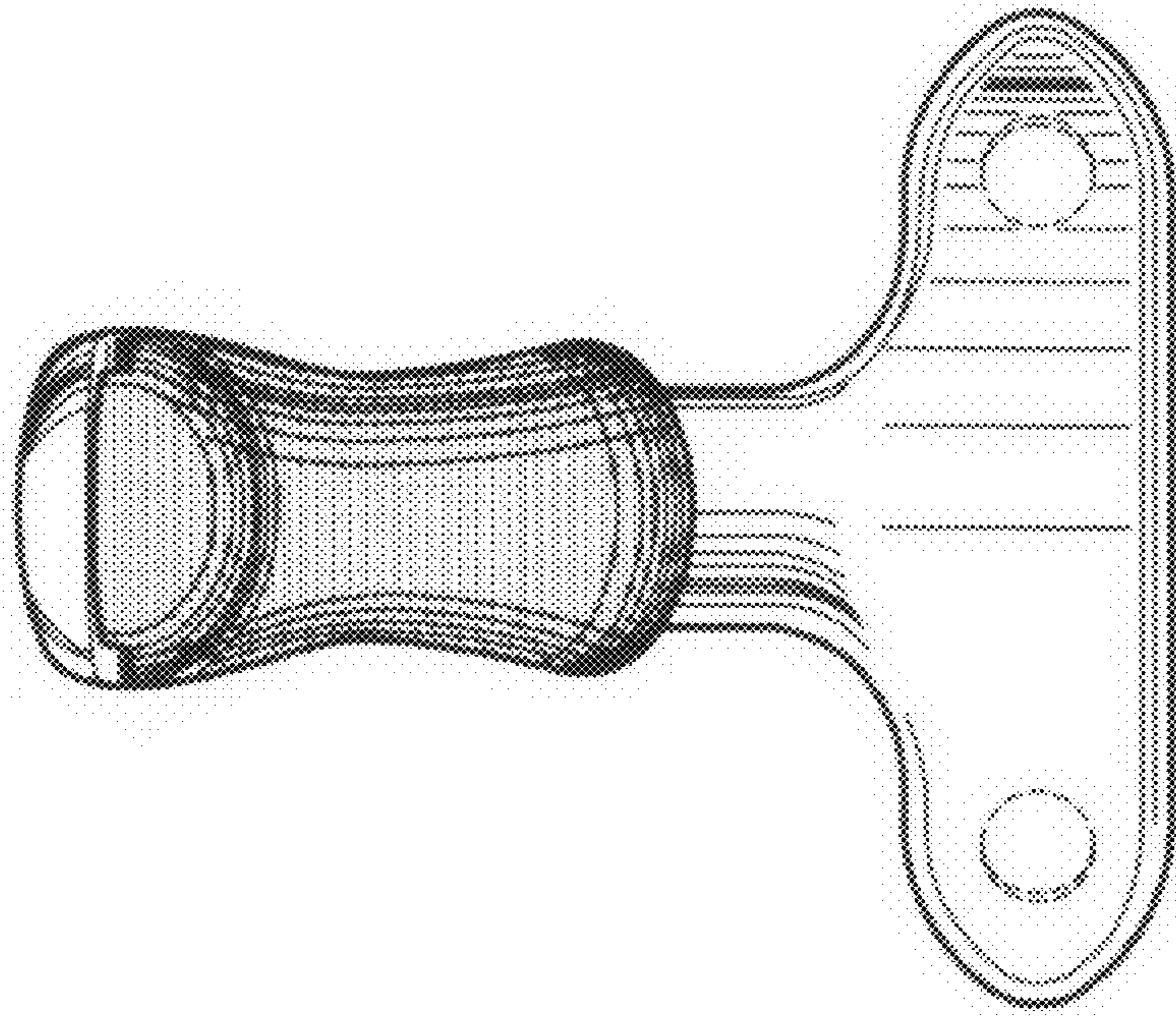


FIG. 6

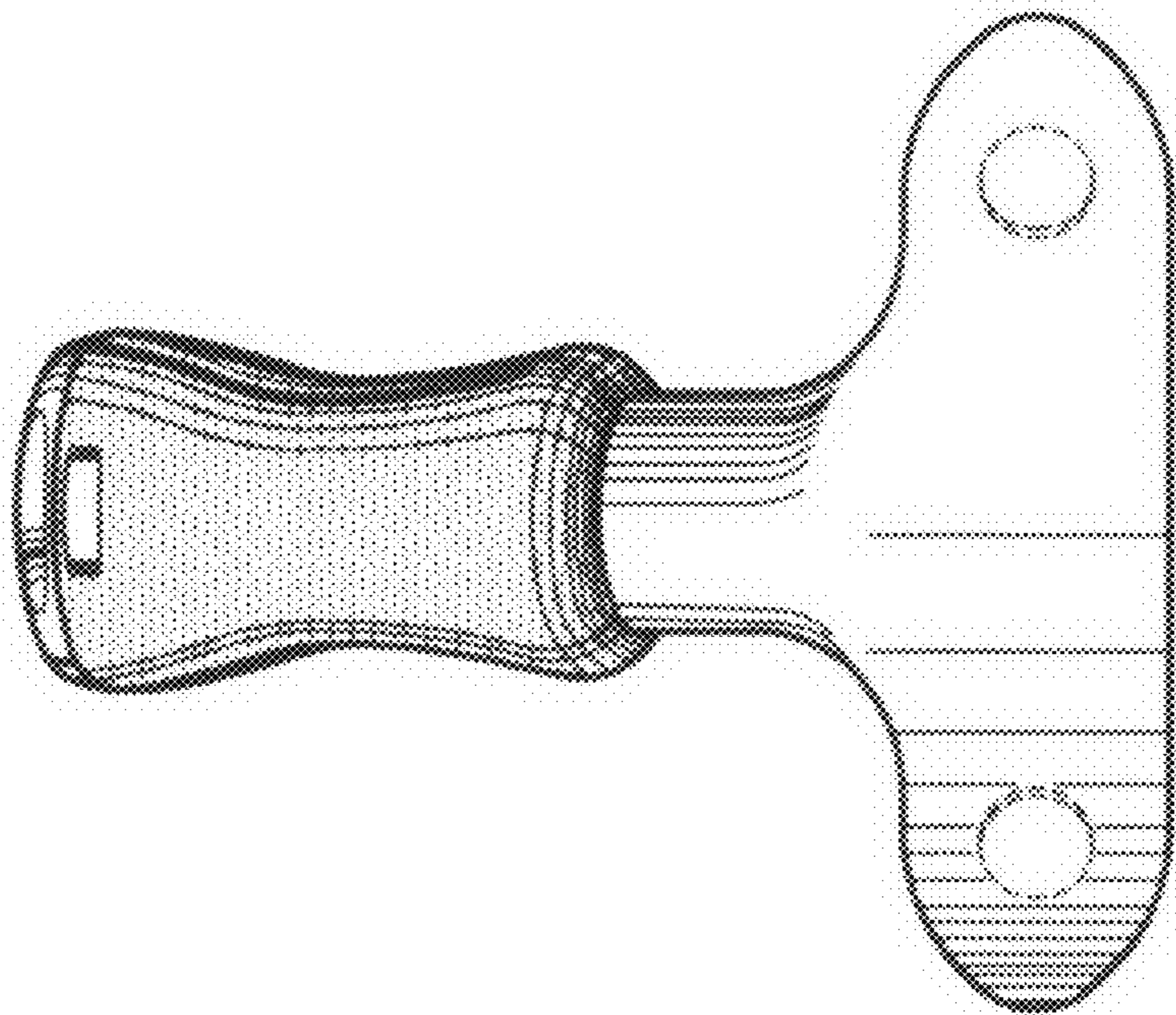


FIG. 3