



US00D630056S

(12) **United States Design Patent**
Rae

(10) **Patent No.:** **US D630,056 S**
(45) **Date of Patent:** **** Jan. 4, 2011**

(54) **FULL GRIP COOKWARE HANDLE**

(75) Inventor: **Robert A Rae**, Las Vegas, NV (US)

(73) Assignee: **Meyer Intellectual Properties Limited**
(VG)

(**) Term: **14 Years**

(21) Appl. No.: **29/349,919**

(22) Filed: **May 18, 2010**

Related U.S. Application Data

(62) Division of application No. 29/348,185, filed on Dec. 7, 2009, now Pat. No. Des. 617,141.

(51) **LOC (9) Cl.** **07-02**

(52) **U.S. Cl.** **D7/395**

(58) **Field of Classification Search** D7/354-361,
D7/393-395, 401.2, 664; D8/107, 300, 303,
D8/307, 313, 321; D4/138, 129; 16/421,
16/430, 431, 110.1, 407; 220/573.1-573.5,
220/752, 753, 755, 756, 759, 767, 771, 912
See application file for complete search history.

(56) **References Cited**

U.S. PATENT DOCUMENTS

| | | | | |
|--------------|---------|------------------|-------|--------|
| D438,055 S * | 2/2001 | Munari | | D7/395 |
| D447,383 S * | 9/2001 | Rae | | D7/395 |
| D468,583 S * | 1/2003 | Kerulis | | D7/395 |
| D477,967 S * | 8/2003 | Burton et al. | | D7/395 |
| D482,567 S * | 11/2003 | Demers | | D7/395 |
| D494,412 S * | 8/2004 | Prakasa | | D7/395 |
| D501,358 S | 2/2005 | LoGiudice et al. | | |
| D511,068 S | 11/2005 | Coppi | | |
| D512,602 S | 12/2005 | Spagnolo | | |
| D523,690 S * | 6/2006 | Giannone | | D7/395 |
| D555,425 S * | 11/2007 | Rae | | D7/395 |
| D555,972 S | 11/2007 | Rae | | |

| | | | | |
|----------------|---------|------------------|-------|---------|
| D557,065 S * | 12/2007 | Levy et al. | | D7/393 |
| D560,426 S * | 1/2008 | Prakasa | | D7/395 |
| D560,427 S | 1/2008 | Prakasa | | |
| D560,428 S | 1/2008 | Prakasa | | |
| D560,429 S * | 1/2008 | Prakasa | | D7/395 |
| D575,982 S * | 9/2008 | Rae | | D7/393 |
| D577,541 S | 9/2008 | Giannone | | |
| D580,704 S | 11/2008 | Robson | | |
| D581,721 S * | 12/2008 | Rae | | D7/360 |
| D581,729 S | 12/2008 | Rico | | |
| D582,208 S | 12/2008 | Robson | | |
| D593,794 S * | 6/2009 | Rae | | D7/395 |
| D596,897 S * | 7/2009 | Tetreault et al. | | D7/395 |
| D596,898 S * | 7/2009 | Tetreault et al. | | D7/395 |
| D602,307 S | 10/2009 | Fort et al. | | |
| 7,600,654 B2 * | 10/2009 | Kutsch et al. | | 220/756 |

* cited by examiner

Primary Examiner—Cynthia M Chin

(74) *Attorney, Agent, or Firm*—Edward S. Sherman

(57) **CLAIM**

The ornamental design for a full grip cookware handle, as shown and described.

DESCRIPTION

FIG. 1 is a perspective view from above of the full grip cookware handle showing my new design thereof;

FIG. 2 is a top plan view thereof;

FIG. 3 is a front elevation view thereof;

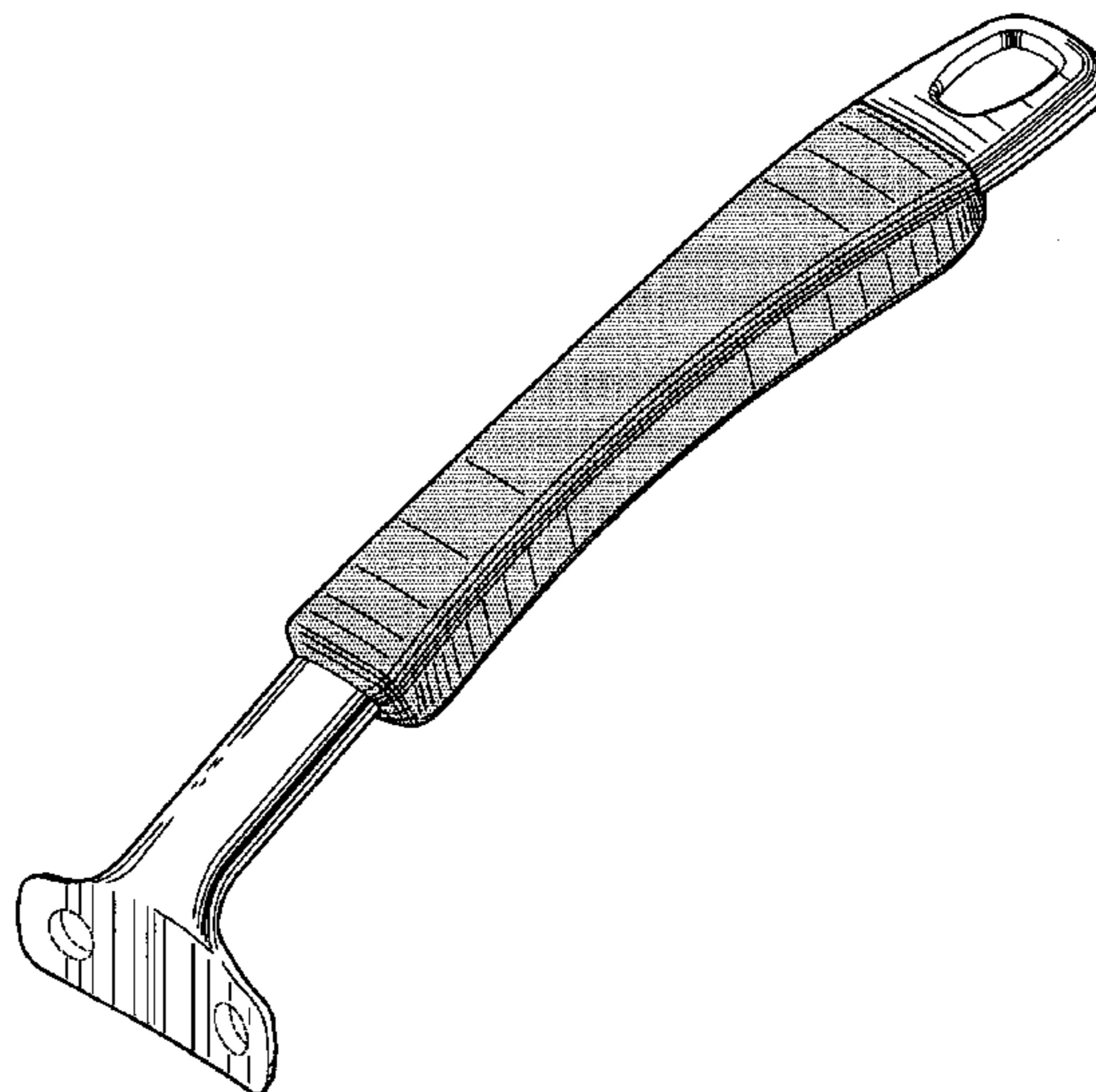
FIG. 4 is a right side elevation view thereof;

FIG. 5 is a bottom plan view thereof; and,

FIG. 6 is a back elevation view thereof.

The broken lines in FIGS. 1, 3, 4 and 6 are for illustrative purposes only, depicting the environment of the new design, forming no part thereof as claimed.

1 Claim, 3 Drawing Sheets



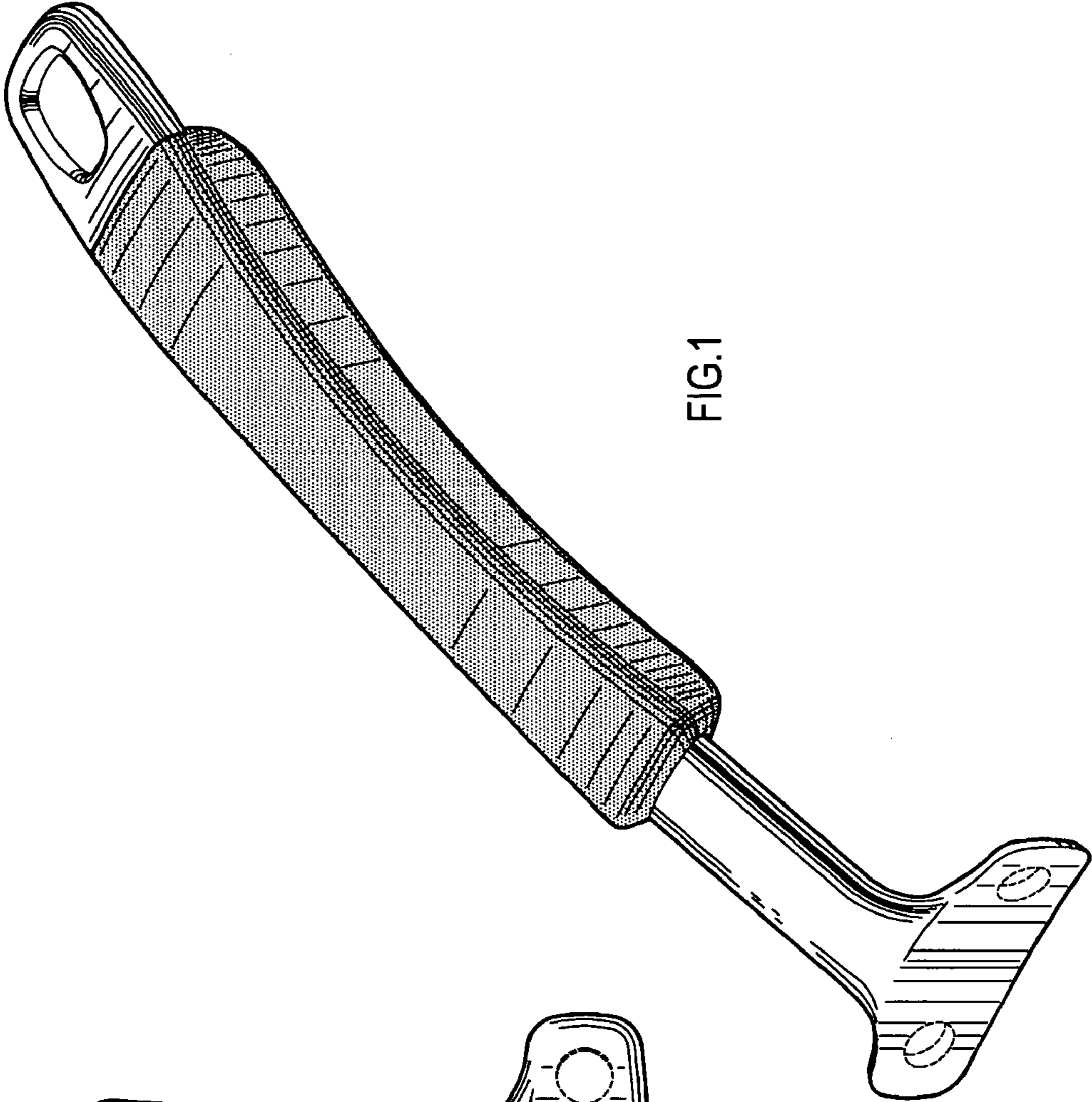


FIG.1

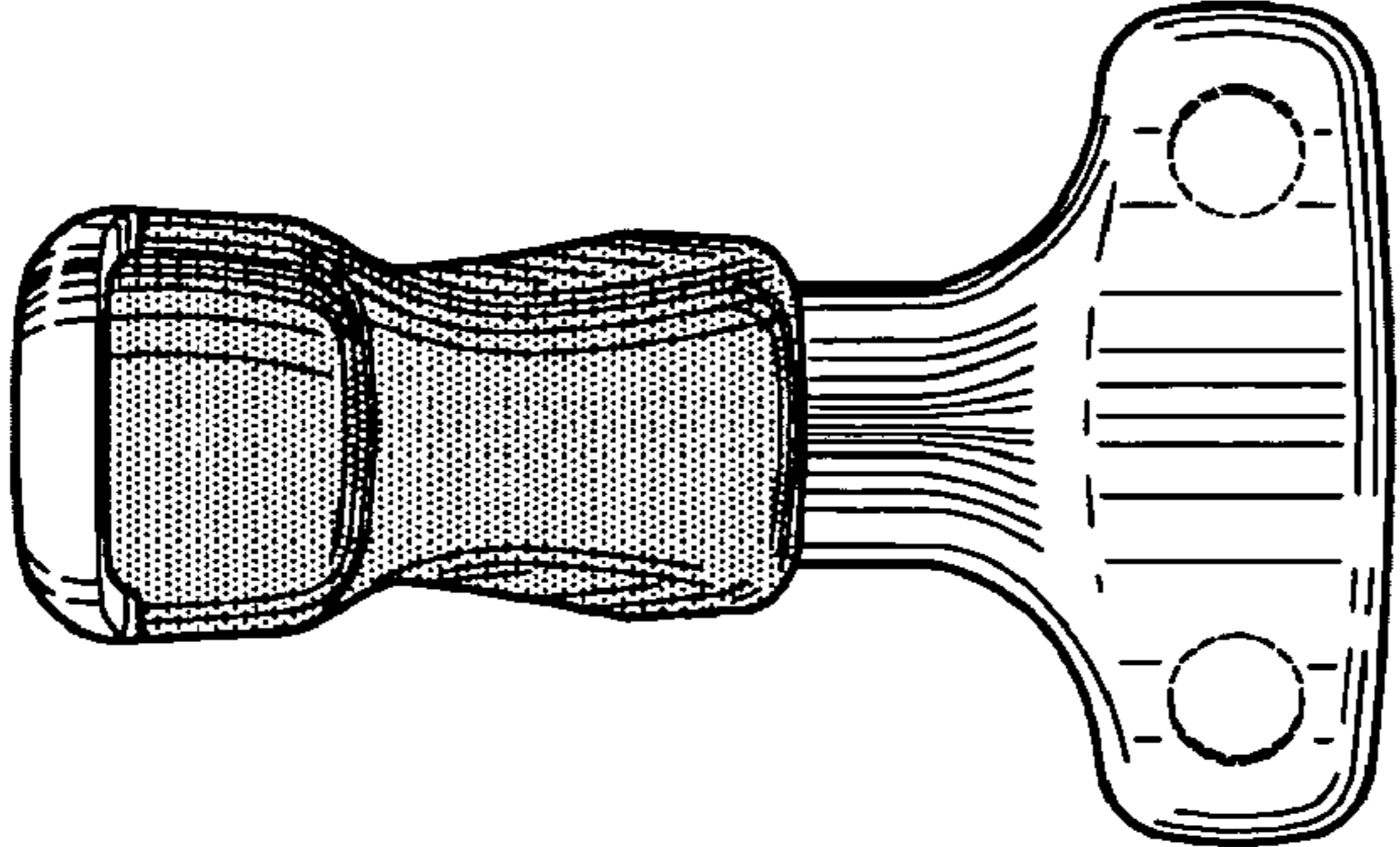


FIG.6

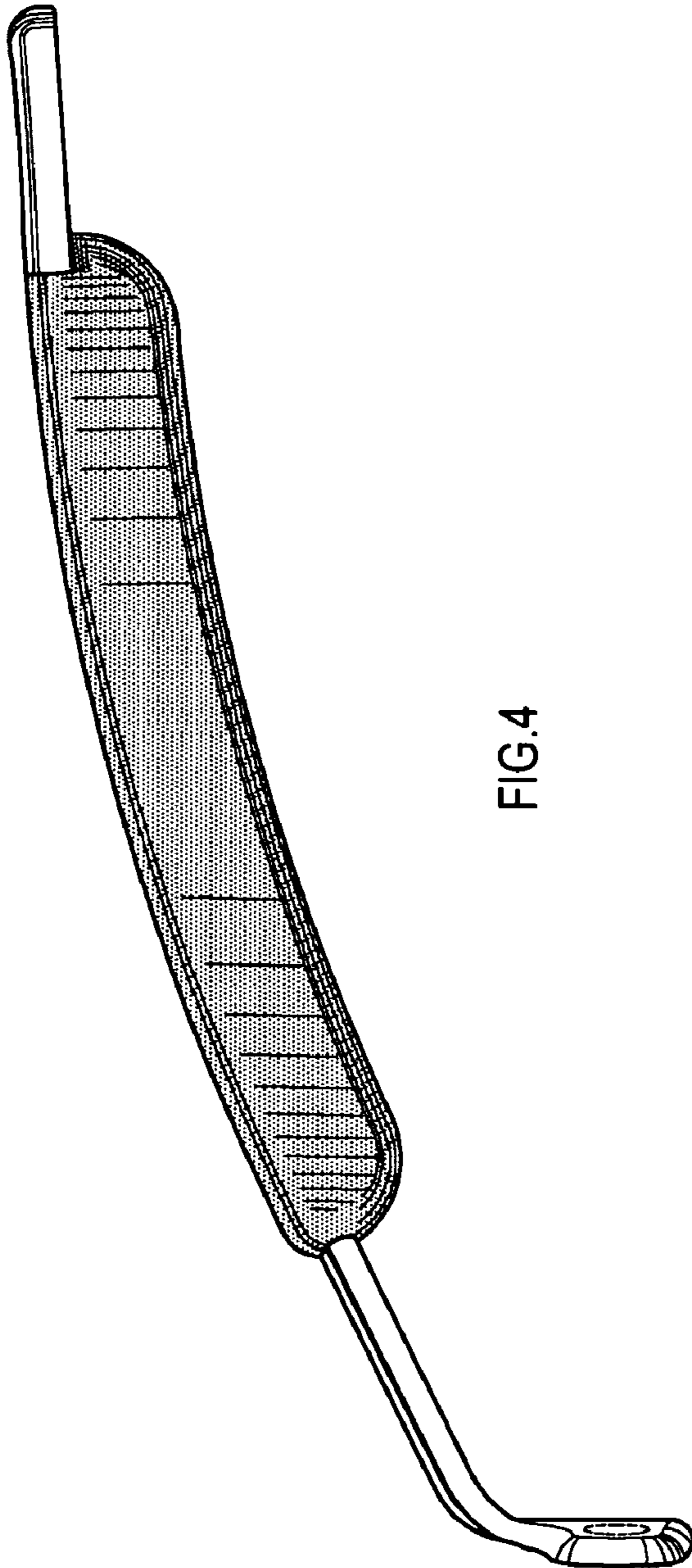


FIG.4

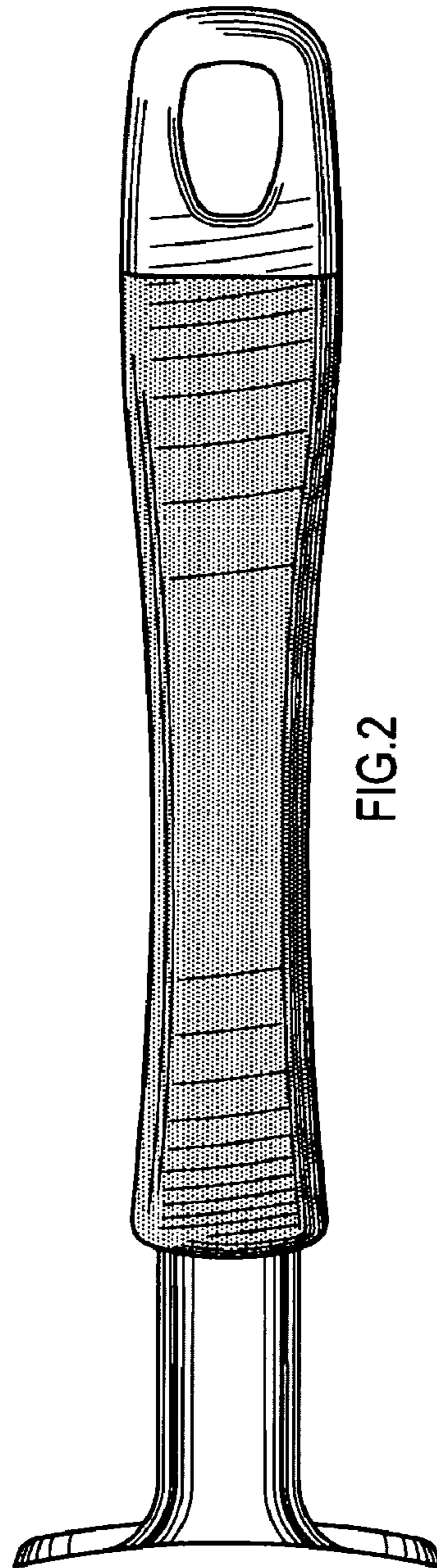


FIG.2

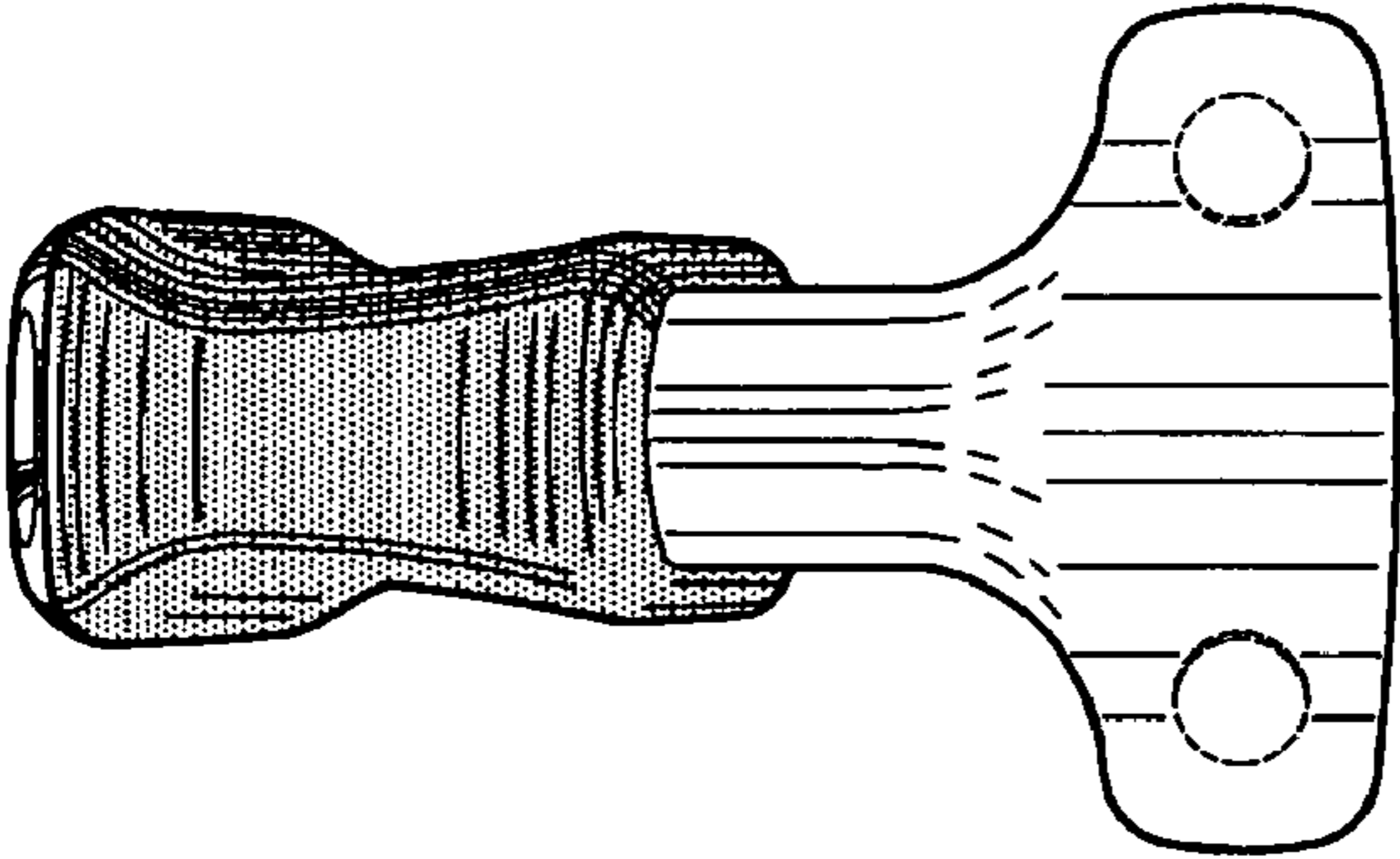


FIG.3

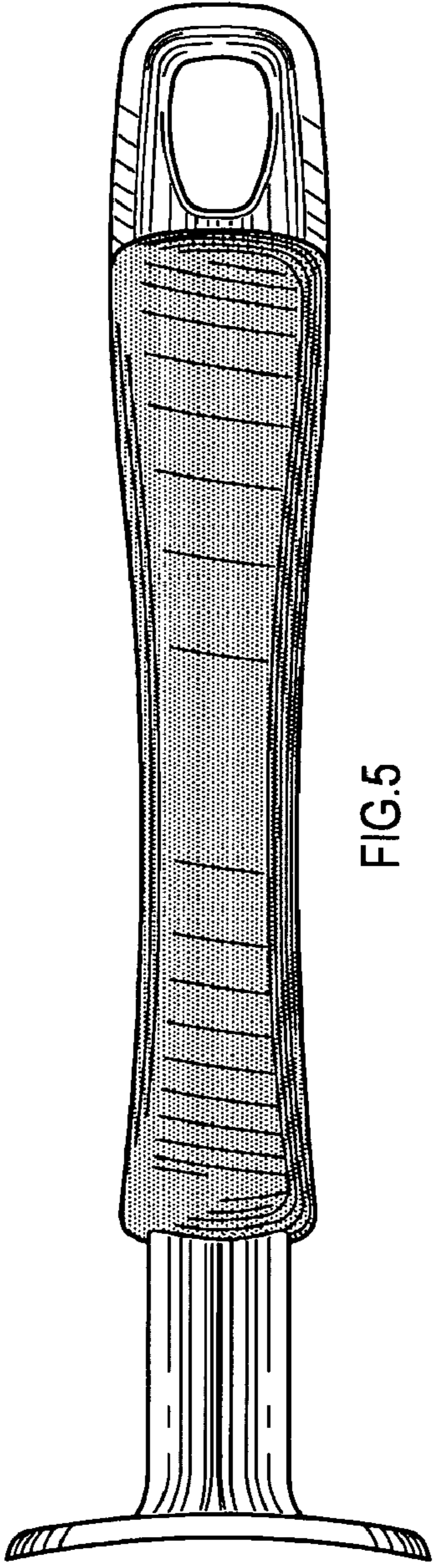


FIG.5