

US00D630055S

(12) **United States Design Patent**
Rae

(10) **Patent No.:** **US D630,055 S**

(45) **Date of Patent:** **** Jan. 4, 2011**

(54) **BOTTOM GRIP COOKWARE HANDLE**

(75) Inventor: **Robert A Rae**, Las Vegas, NV (US)

(73) Assignee: **Meyer Intellectual Properties Limited**
(VG)

(**) Term: **14 Years**

(21) Appl. No.: **29/349,123**

(22) Filed: **Mar. 9, 2010**

Related U.S. Application Data

(63) Continuation-in-part of application No. 29/348,186,
filed on Dec. 7, 2009, now Pat. No. Des. 618,052.

(51) **LOC (9) Cl.** **07-02**

(52) **U.S. Cl.** **D7/395**

(58) **Field of Classification Search** D7/354–361,
D7/393–395, 401.2, 664; D8/107, 300, 303,
D8/307, 313, 321; D4/138, 129; 16/421,
16/430, 431, 110.1, 407; 220/573.1–573.5,
220/752, 753, 755, 756, 759, 767, 771, 912
See application file for complete search history.

(56) **References Cited**

U.S. PATENT DOCUMENTS

| | | | | |
|--------------|---------|-------------|-------|--------|
| D482,567 S * | 11/2003 | Demers | | D7/395 |
| D514,379 S * | 2/2006 | Kerr et al. | | D7/395 |
| D555,425 S * | 11/2007 | Rae | | D7/395 |
| D560,426 S * | 1/2008 | Prakasa | | D7/395 |
| D560,428 S * | 1/2008 | Prakasa | | D7/395 |

| | | | | |
|--------------|---------|------------------|-------|--------|
| D560,429 S * | 1/2008 | Prakasa | | D7/395 |
| D567,579 S * | 4/2008 | Rae | | D7/393 |
| D569,682 S * | 5/2008 | Prakasa | | D7/393 |
| D575,982 S * | 9/2008 | Rae | | D7/393 |
| D581,721 S * | 12/2008 | Rae | | D7/360 |
| D592,452 S * | 5/2009 | Tetreault | | D7/395 |
| D593,794 S * | 6/2009 | Rae | | D7/395 |
| D596,897 S * | 7/2009 | Tetreault et al. | | D7/395 |
| D596,898 S * | 7/2009 | Tetreault et al. | | D7/395 |

* cited by examiner

Primary Examiner—Cynthia M Chin

(74) *Attorney, Agent, or Firm*—Edward S. Sherman

(57) **CLAIM**

The ornamental design for a bottom grip cookware handle, as shown and described.

DESCRIPTION

FIG. 1 is a perspective view from above of the “bottom grip cookware handle”;

FIG. 2 is a top plan view thereof;

FIG. 3 is a front elevation view thereof;

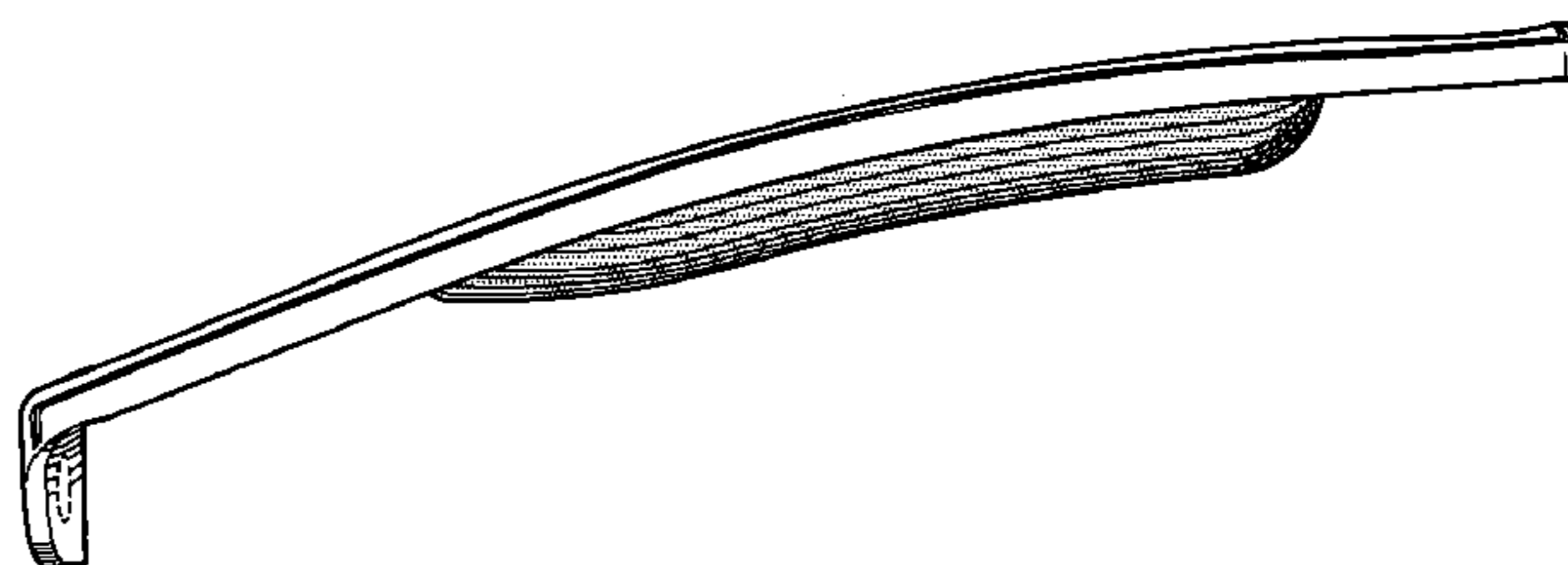
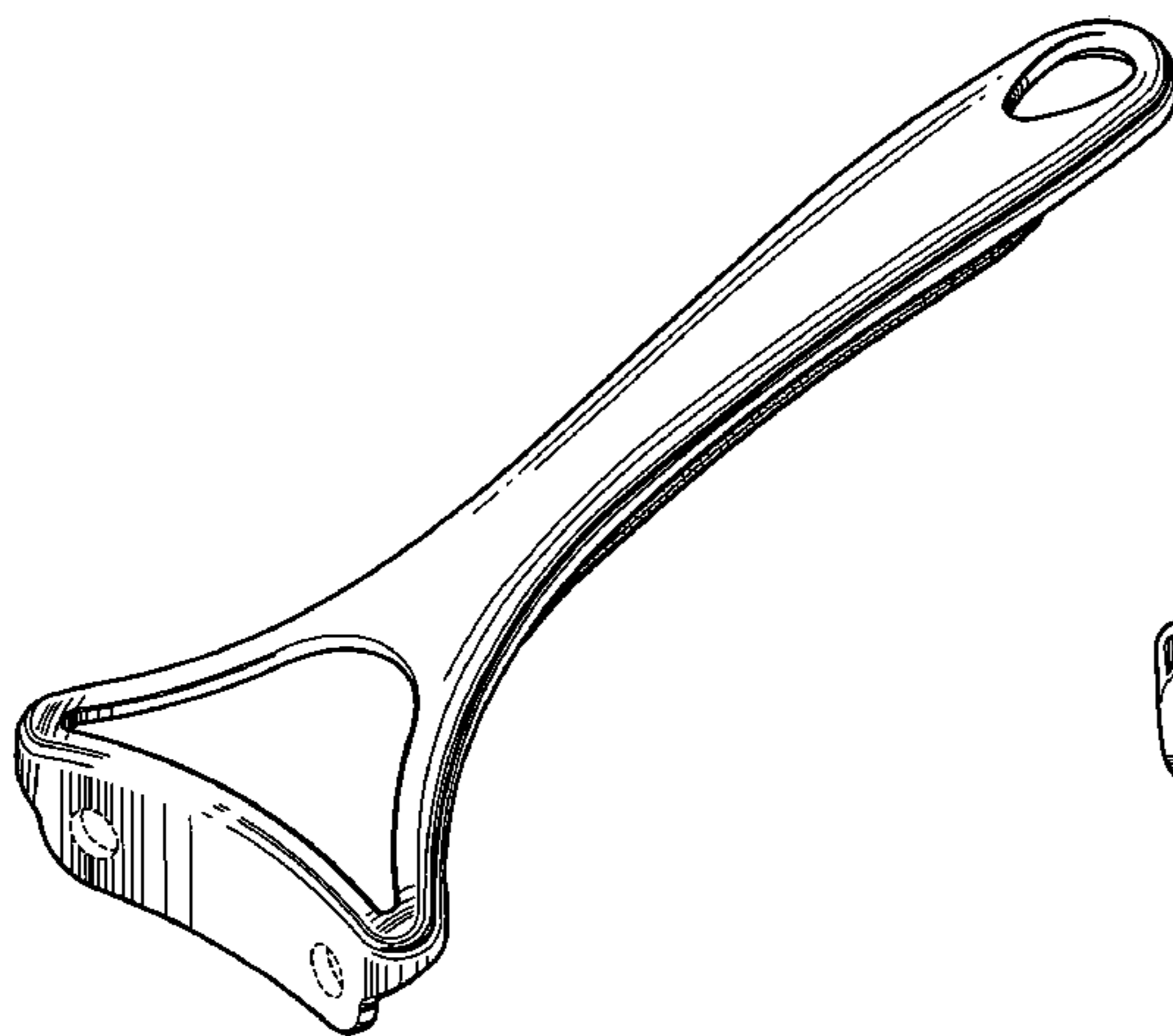
FIG. 4 is a side elevation view thereof;

FIG. 5 is a bottom plan view thereof; and,

FIG. 6 is a back elevation view.

The broken lines in FIGS. 1, 3, 4, and 6, are for illustrative purposes only, depicting the environment of the new design, forming no part thereof as claimed.

1 Claim, 3 Drawing Sheets



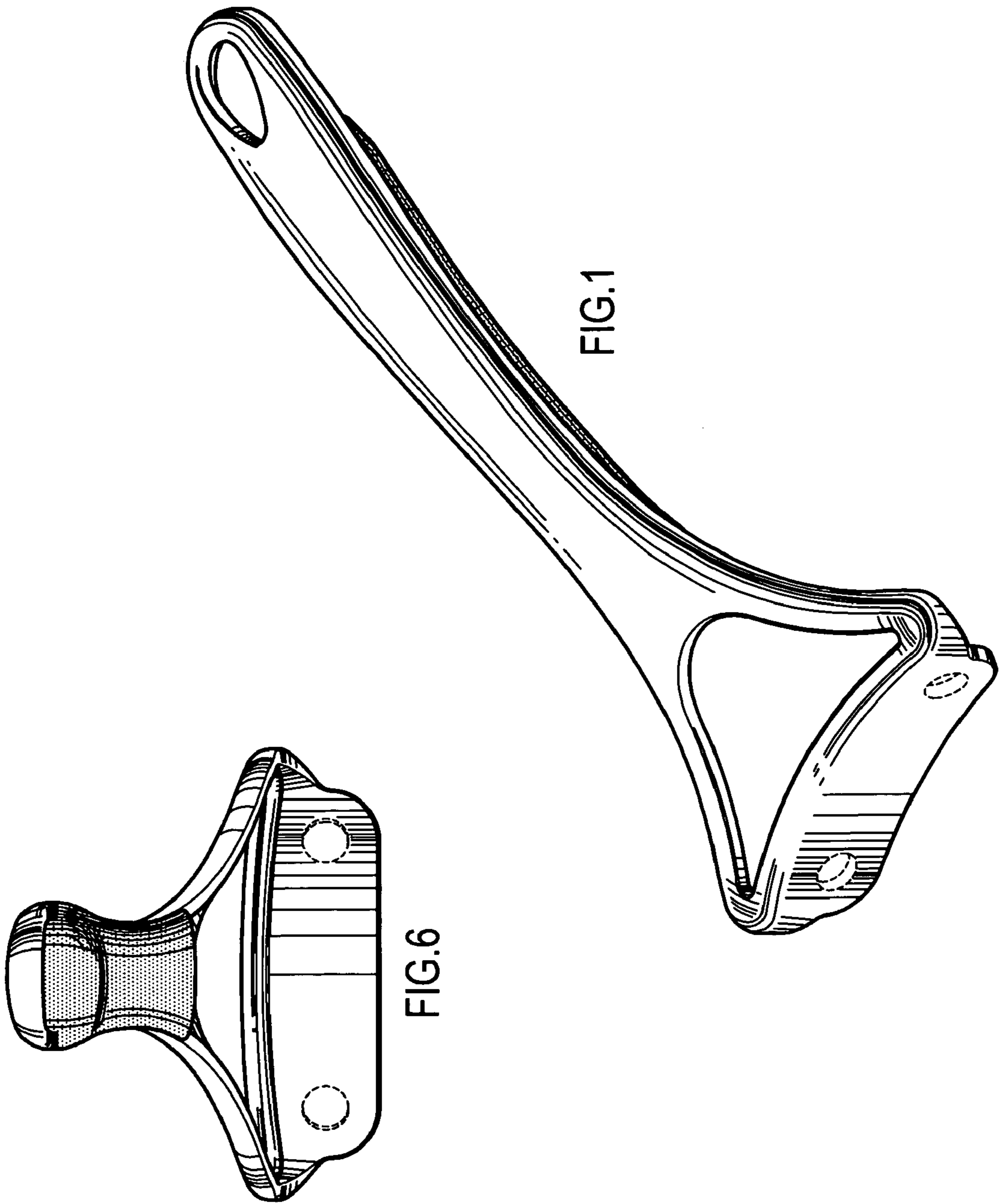


FIG.1

FIG.6

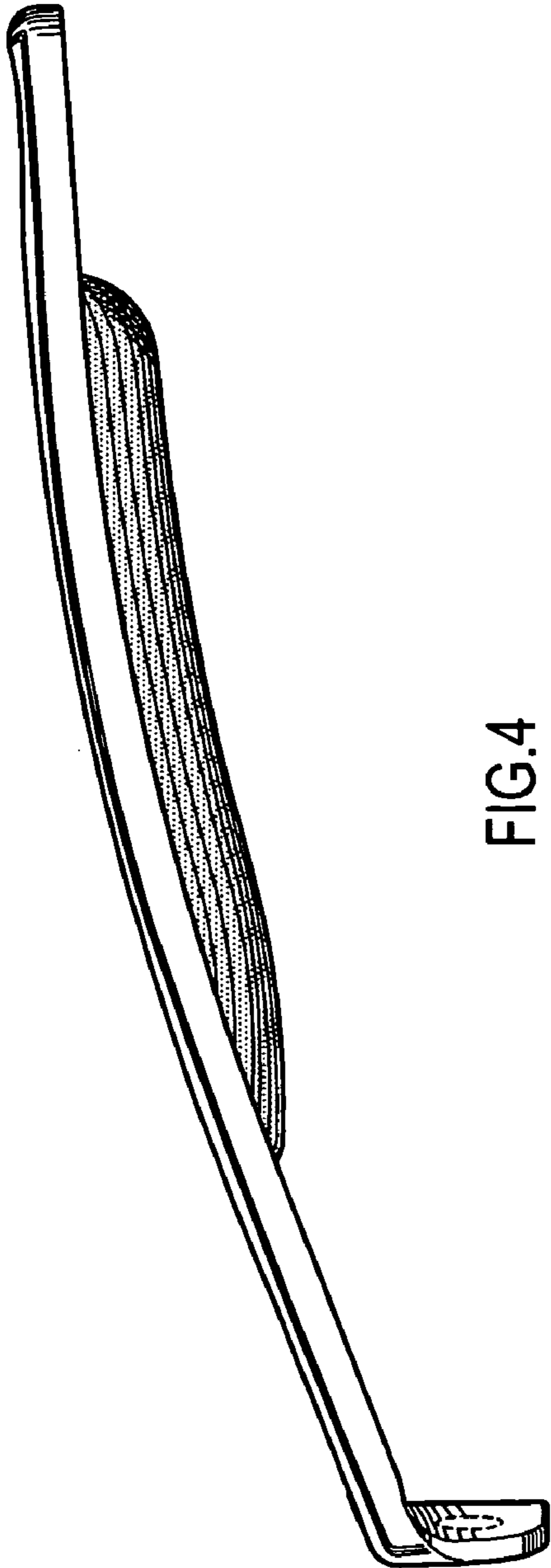


FIG.4

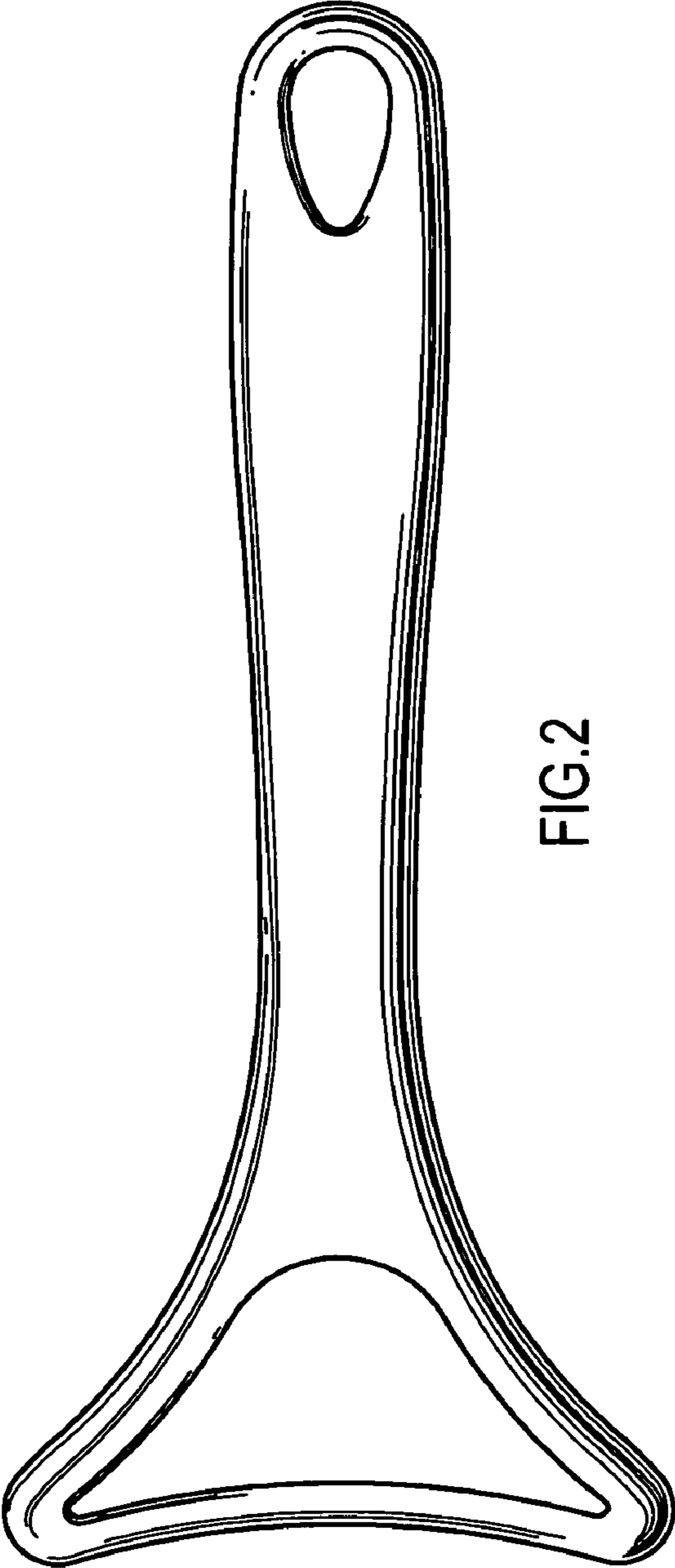


FIG.2

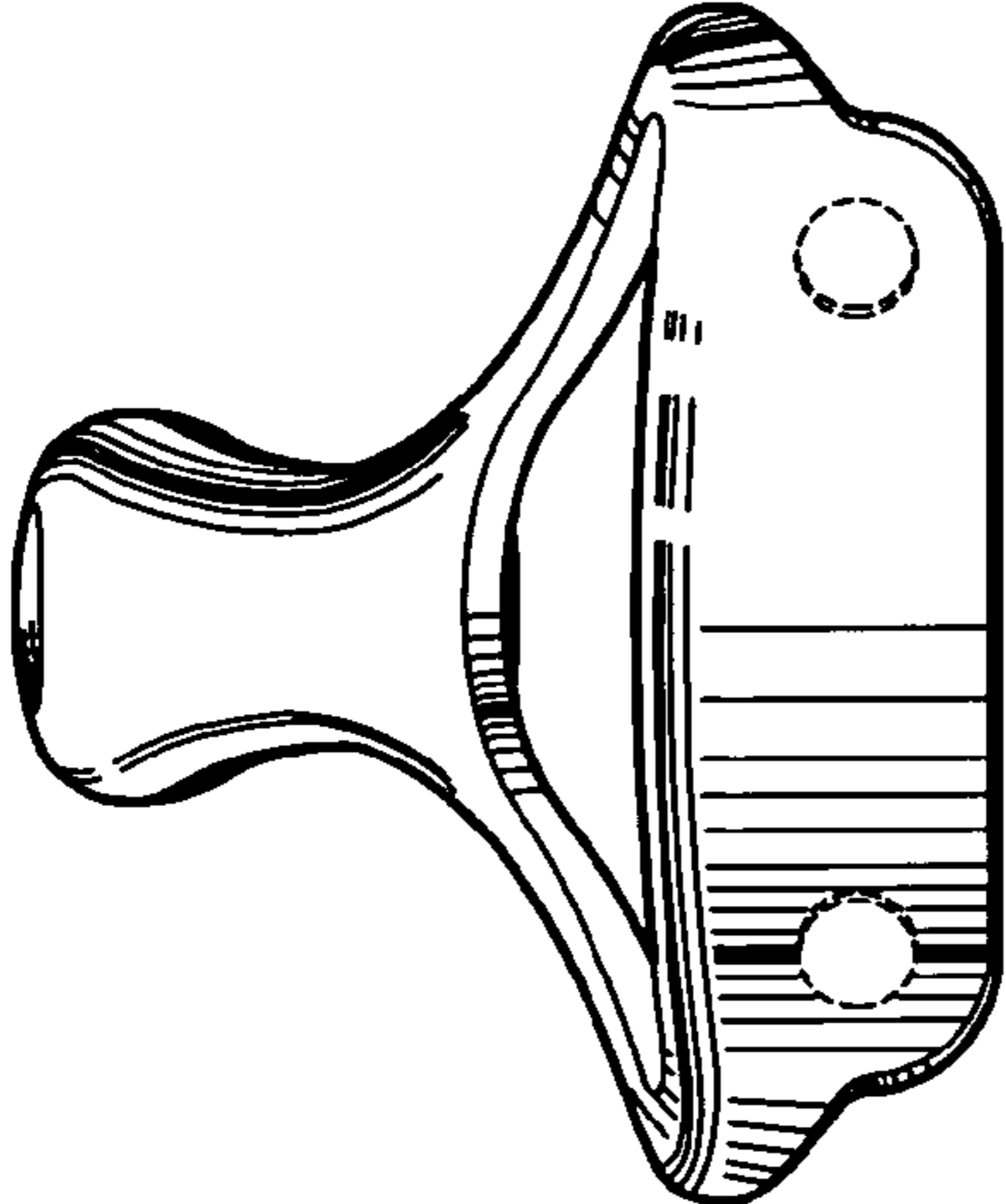


FIG.3

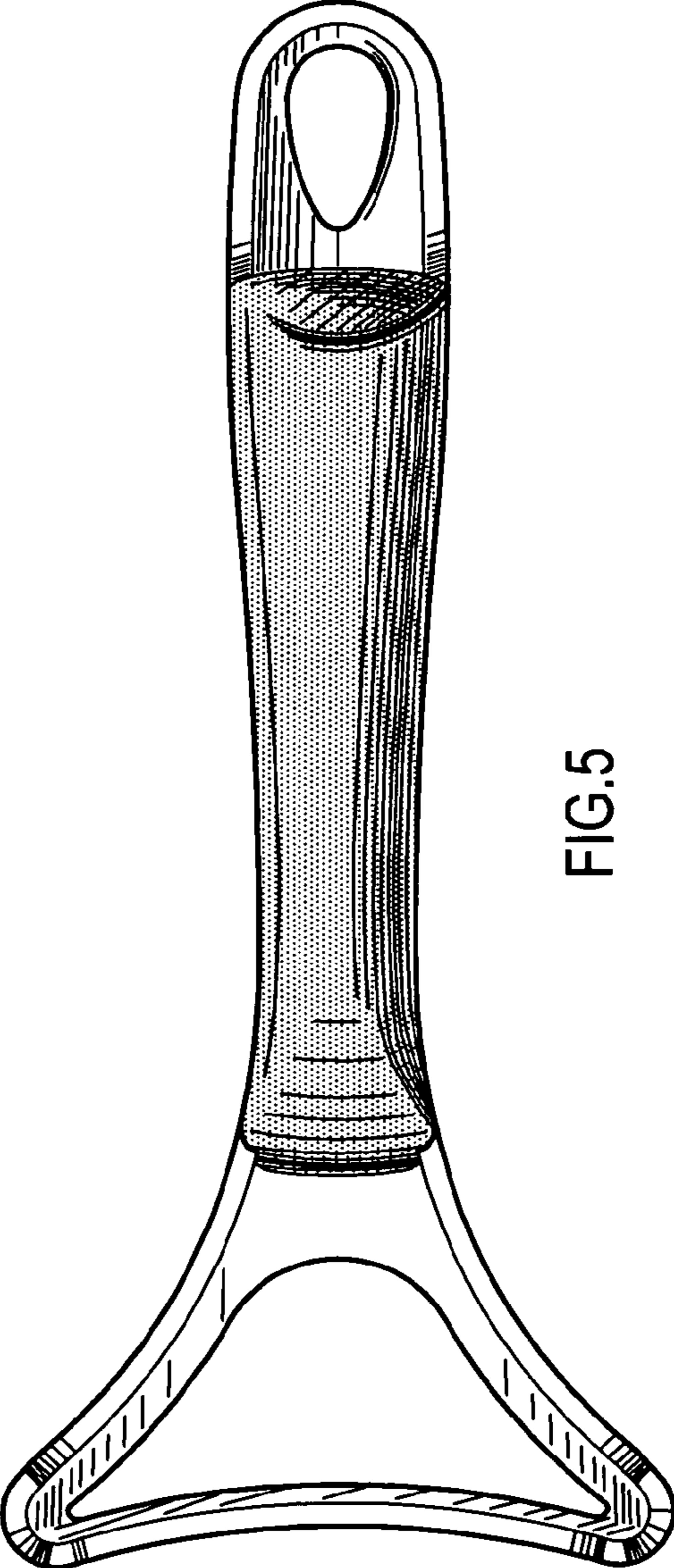


FIG.5