



US00D630048S

(12) **United States Design Patent**
Boonprasop

(10) **Patent No.:** **US D630,048 S**

(45) **Date of Patent:** **** Jan. 4, 2011**

(54) **BOTTLE HANDLE**

(75) Inventor: **Pruck Boonprasop**, Samut Sakorn (TH)

(73) Assignee: **Royal Industries (Thailand), a Public Company Limited**, Samut Sakorn (TH)

(**) Term: **14 Years**

(21) Appl. No.: **29/342,241**

(22) Filed: **Aug. 20, 2009**

(30) **Foreign Application Priority Data**

Feb. 20, 2009 (EM) 001091789

(51) **LOC (9) Cl.** **07-02**

(52) **U.S. Cl.** **D7/393**

(58) **Field of Classification Search** D7/393,
D7/394, 395, 318, 319, 320, 509, 510, 533,
D7/534, 535, 619.1, 622, 623, 392, 396.2;
D9/527, 531, 533, 434, 443; D24/197, 199;
215/11.1–11.6, 387, 395, 396; 220/212.5,
220/703, 710.5, 714, 719

See application file for complete search history.

(56) **References Cited**

U.S. PATENT DOCUMENTS

- D158,187 S * 4/1950 Geerlings D7/510
- D162,085 S * 2/1951 Rogers 220/710.5
- D241,906 S * 10/1976 Dart D7/622
- D298,717 S * 11/1988 Nichols et al. D7/510
- D329,355 S * 9/1992 Yagi D7/511
- D341,892 S * 11/1993 Yagi D24/197
- D366,987 S * 2/1996 Allegre D7/510
- D368,529 S * 4/1996 Allegre D24/197
- D418,016 S * 12/1999 Varlet D7/533
- D427,018 S * 6/2000 Varlet D7/533

- D442,435 S * 5/2001 Takagi D7/510
- D476,849 S * 7/2003 Randolph D7/510
- D504,049 S * 4/2005 Morano et al. D7/534
- 6,978,908 B2 * 12/2005 Morano et al. 215/396
- D513,932 S * 1/2006 De Oliveira D7/534
- D515,867 S * 2/2006 Randolph et al. D7/396.2
- D523,150 S * 6/2006 Horn et al. D24/199
- D551,021 S * 9/2007 Rouso et al. D7/510
- D559,624 S * 1/2008 Carreno D7/534
- D579,721 S * 11/2008 Qian D7/510
- 7,562,789 B2 * 7/2009 Randolph et al. 220/710.5
- 2001/0027956 A1 * 10/2001 Bonacorso et al. 215/11.1
- 2005/0056609 A1 * 3/2005 Morano et al. 215/11.1
- 2006/0273059 A1 * 12/2006 Mendenhall et al. 215/11.1
- 2007/0163984 A1 * 7/2007 Nguyen et al. 215/11.3

* cited by examiner

Primary Examiner—Cynthia M Chin

(74) *Attorney, Agent, or Firm*—Steven L. Nichols; Van Cott, Bagley, Cornwall & McCarthy PC

(57) **CLAIM**

The ornamental design for a bottle handle, as shown and described.

DESCRIPTION

FIG. 1 is a front perspective view of a bottle handle showing the new design.

FIG. 2 is a back elevation view of the bottle handle.

FIG. 3 is a right side elevation view of the bottle handle.

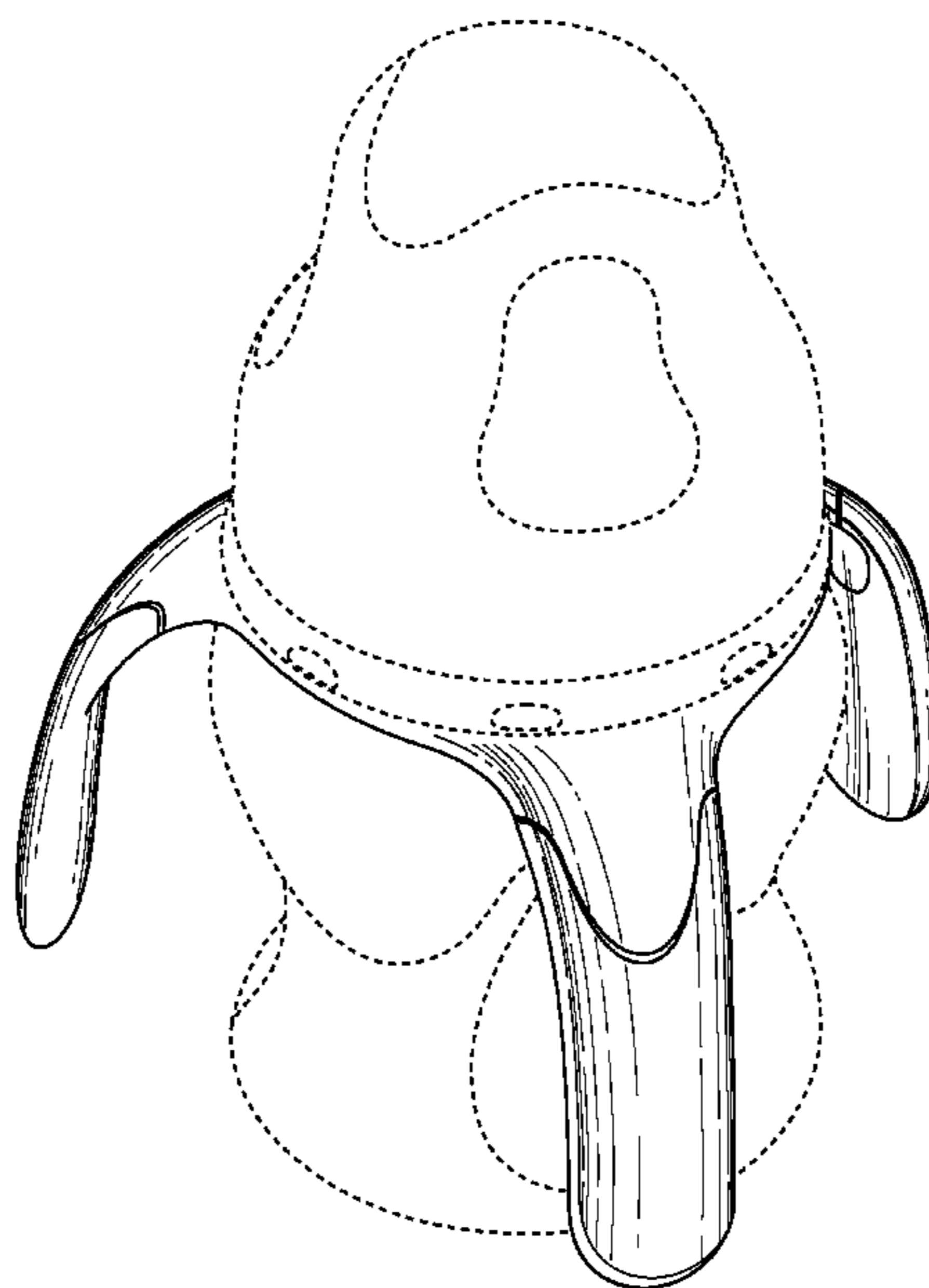
FIG. 4 is a top plan view of the bottle handle.

FIG. 5 is a left side elevation view of the bottle handle; and,

FIG. 6 is a front elevation view of the bottle handle.

The broken lines represent the environment in which the design resides and forms no part of the claim.

1 Claim, 6 Drawing Sheets



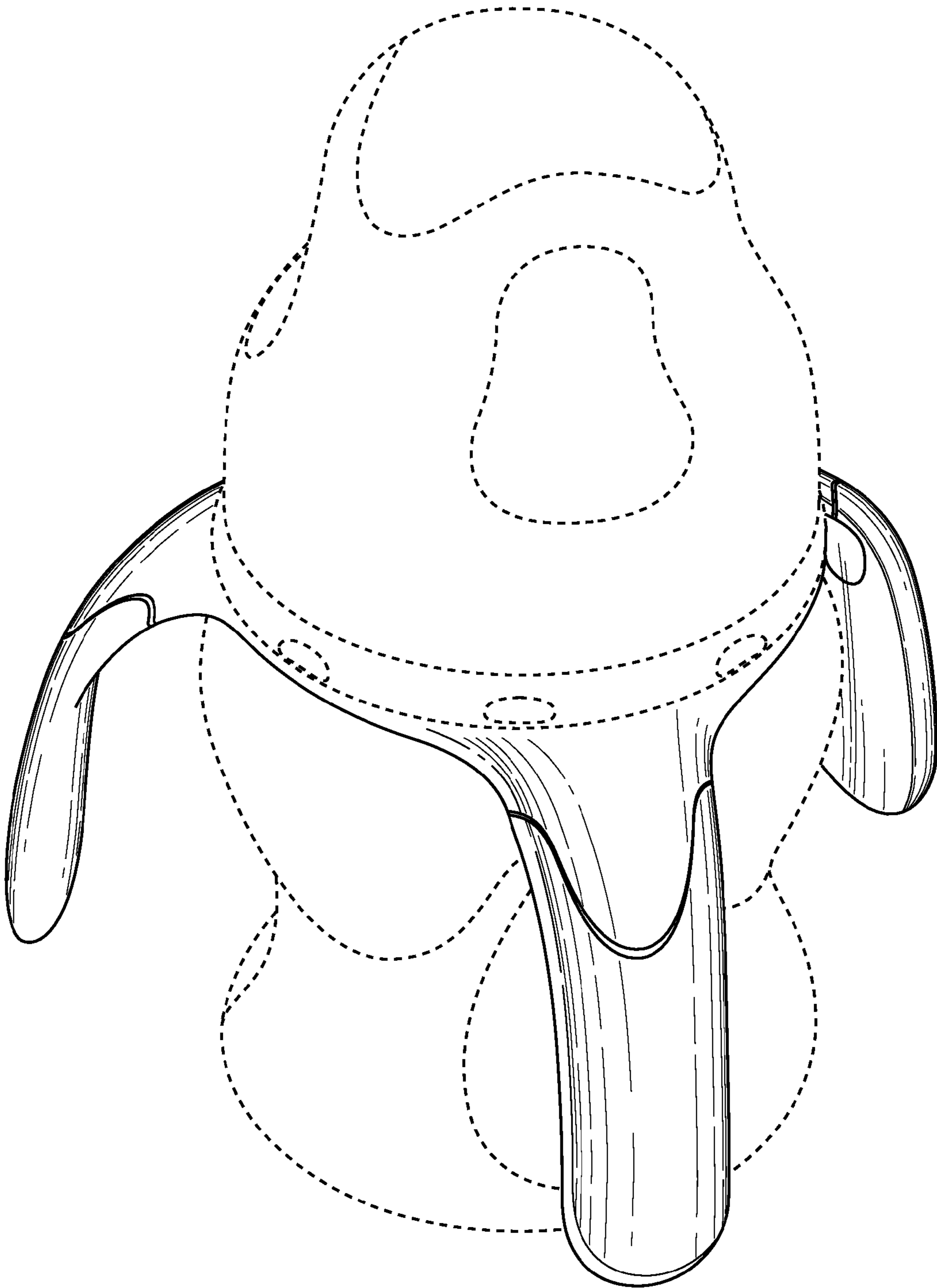


Fig. 1

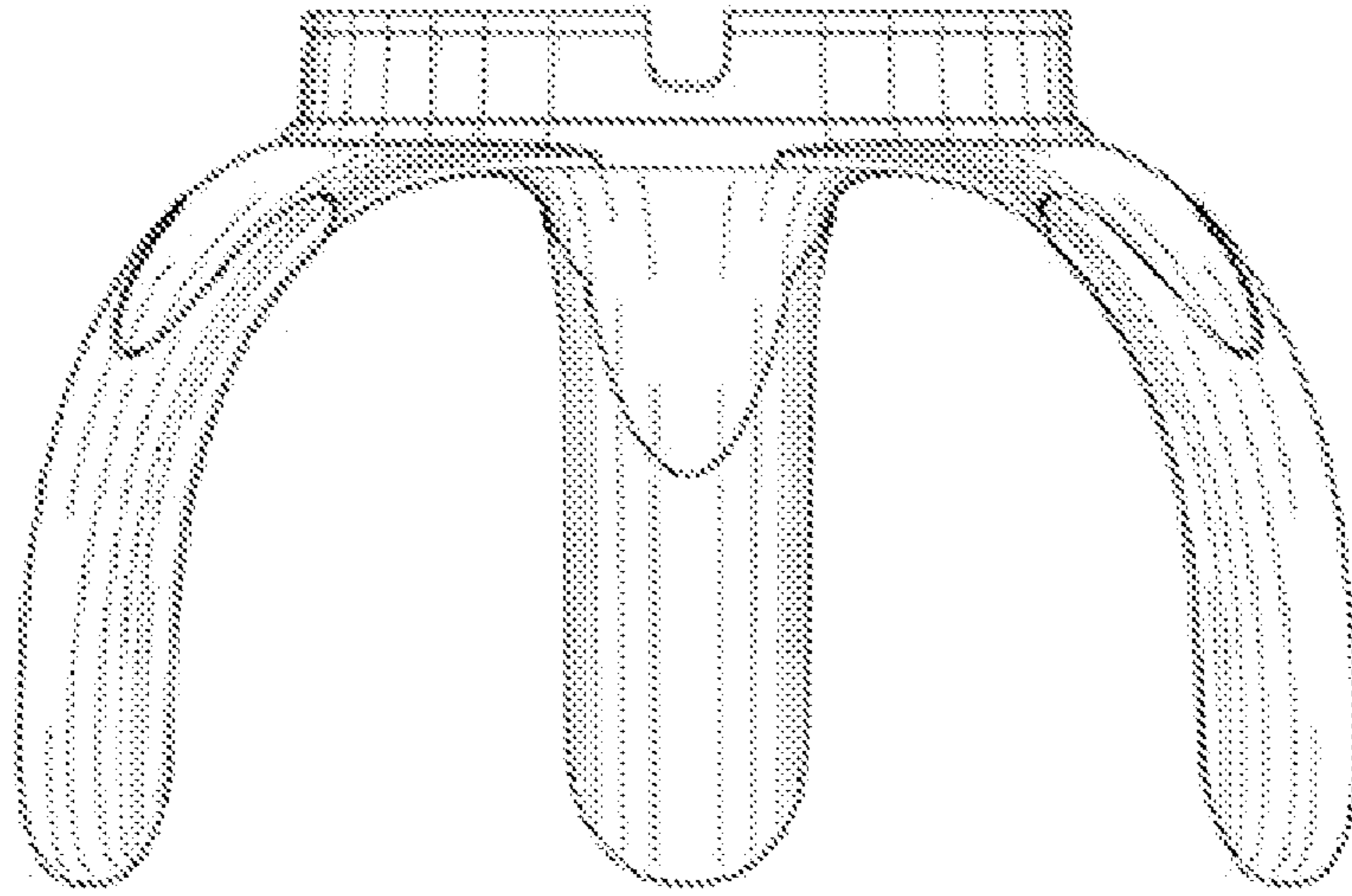


Fig. 2

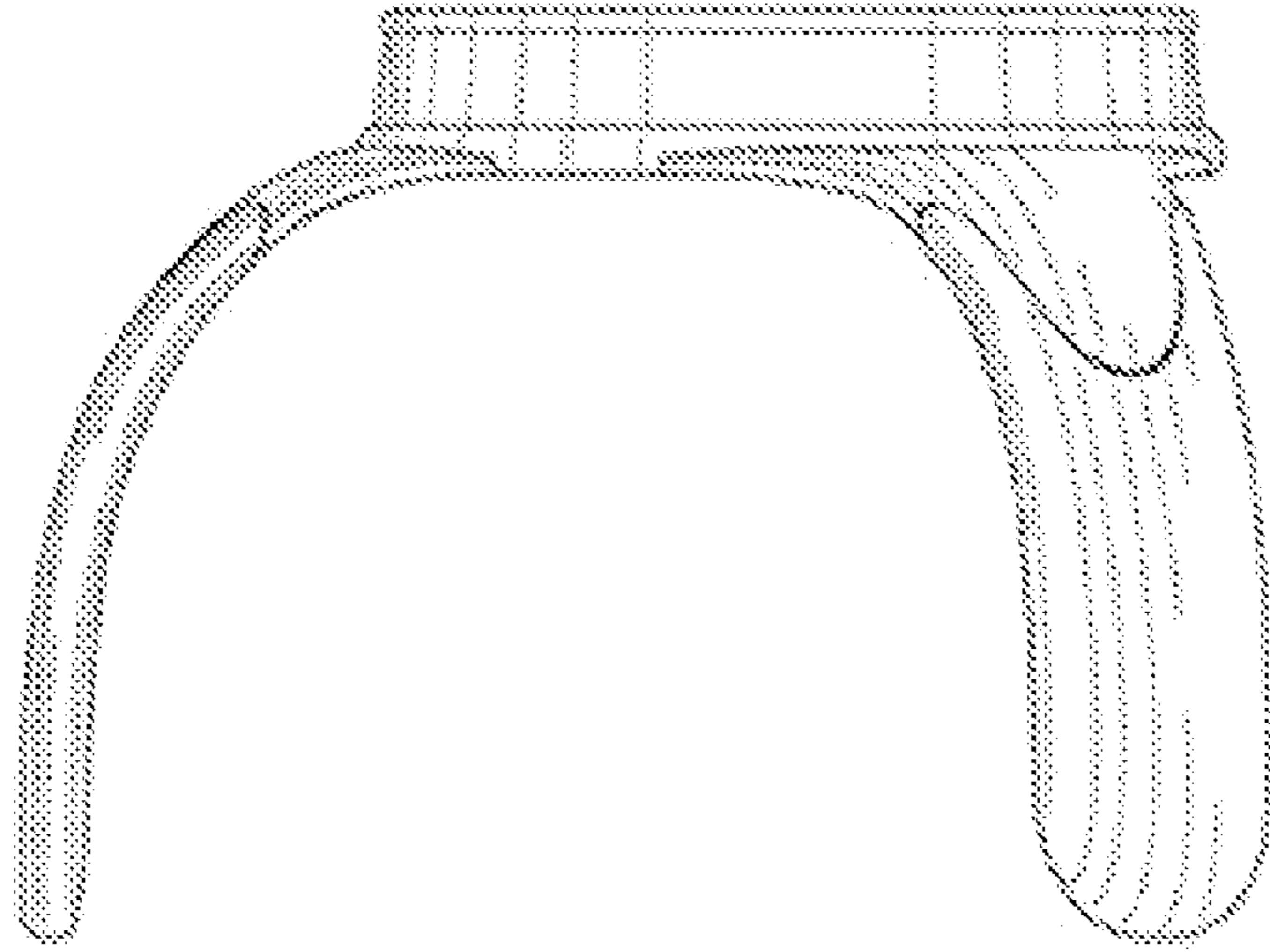


Fig. 3

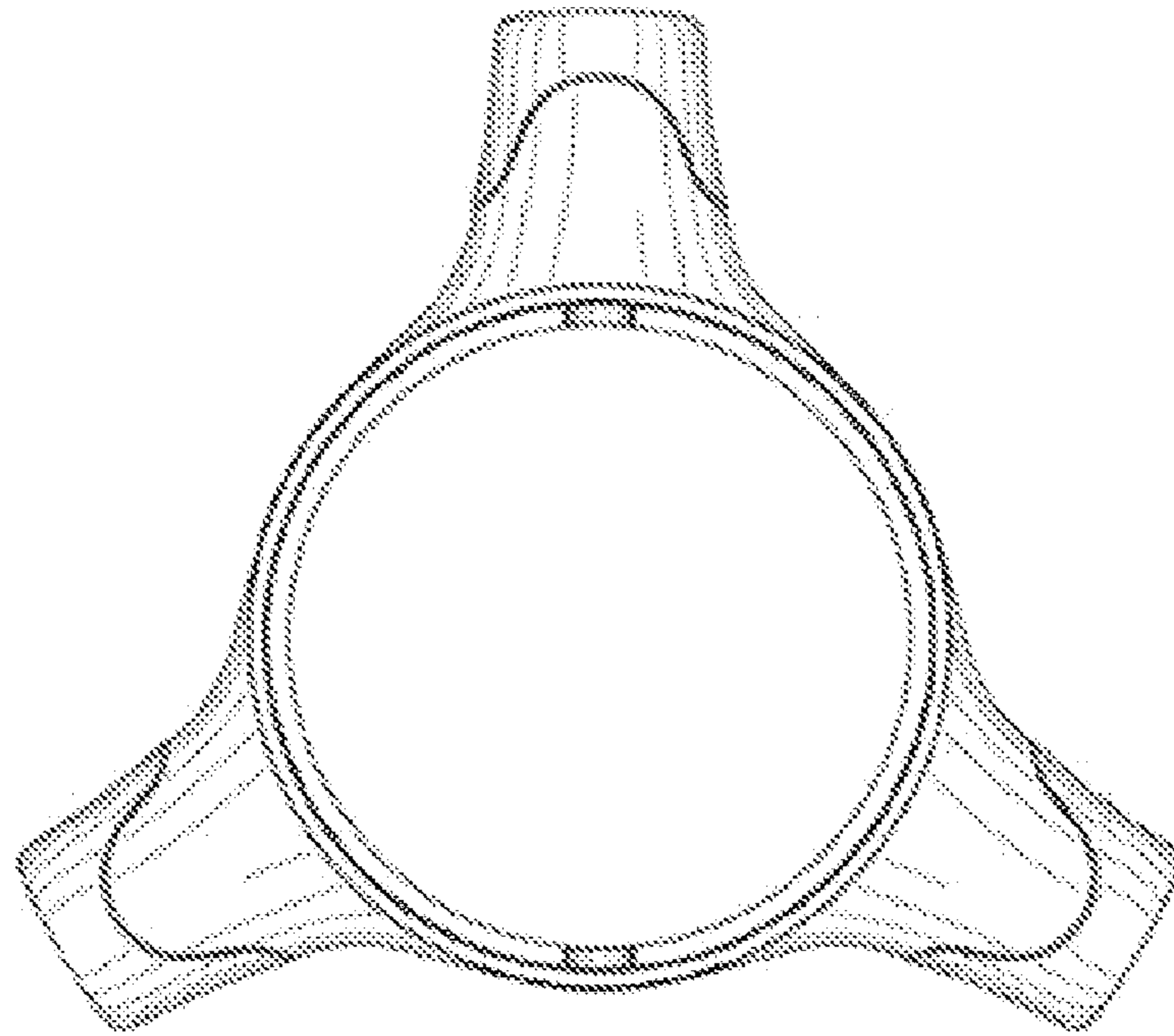


Fig. 4

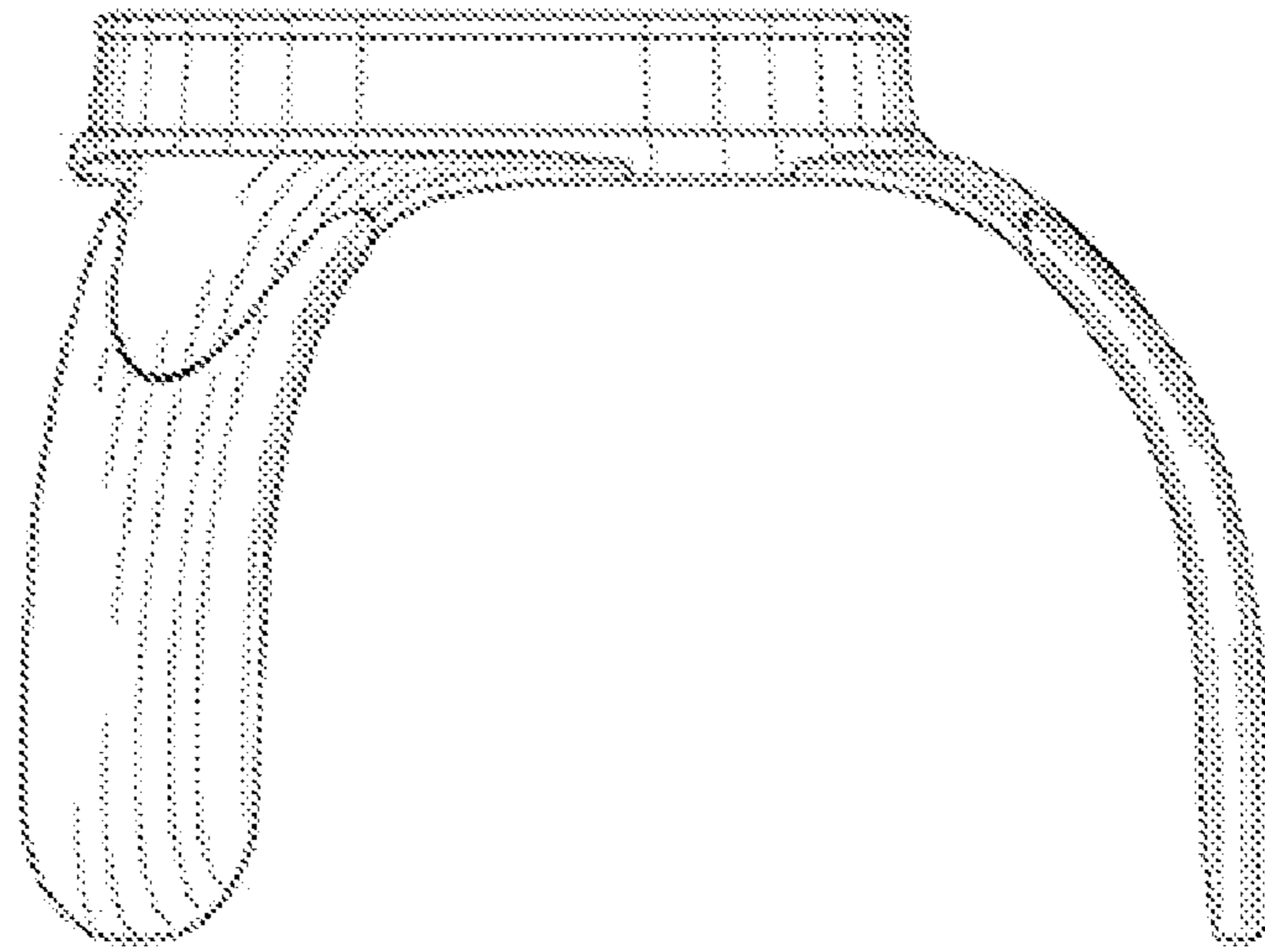


Fig. 5

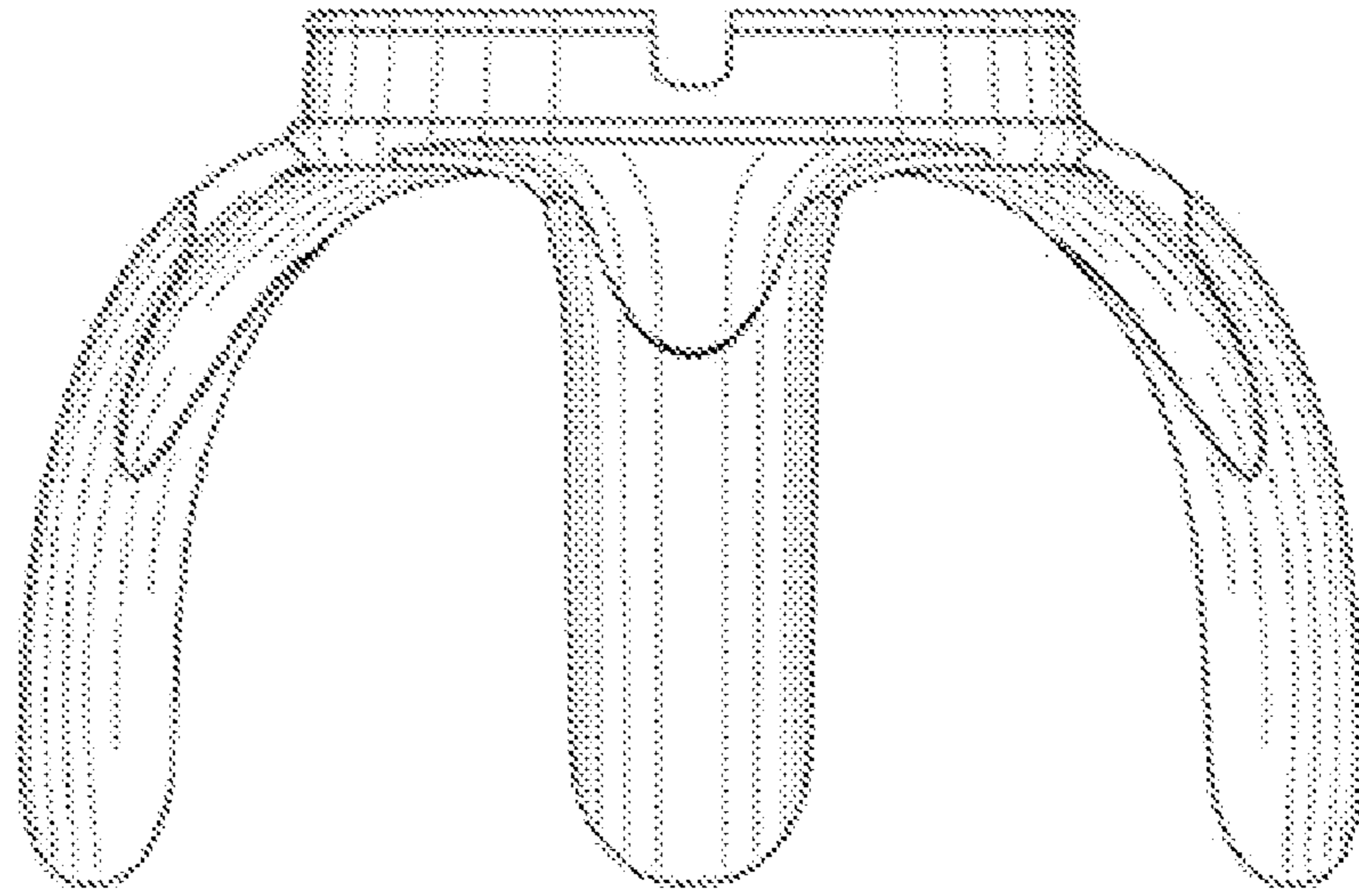


Fig. 6