



US00D630045S

(12) **United States Design Patent**  
**Antoun et al.**

(10) **Patent No.:** **US D630,045 S**  
(45) **Date of Patent:** **\*\* Jan. 4, 2011**

(54) **FOOD PAN LID**

(75) Inventors: **Gwendolyn Lee Antoun**, Edmond, OK (US); **Alan Taylor Pepin**, St. Cloud, FL (US)

(73) Assignee: **Carlisle FoodService Products, Incorporated**, Oklahoma City, OK (US)

(\*\*) Term: **14 Years**

(21) Appl. No.: **29/356,559**

(22) Filed: **Feb. 26, 2010**

(51) **LOC (9) Cl.** ..... **07-02**

(52) **U.S. Cl.** ..... **D7/392.1**

(58) **Field of Classification Search** ..... D7/323,  
D7/354-361, 391, 392, 392.1, 396.1, 402,  
D7/409, 500, 505-506, 538-542, 550.1, 551.1,  
D7/552.1, 533.1-533.3, 553.5, 554.1-554.3,  
D7/560, 566, 568, 570, 584, 586, 602, 610,  
D7/624.1, 629, 672; D9/414-416, 420, 423-426,  
D9/430-432, 434, 435, 436, 449, 452, 715,  
D9/745, 756, 759, 760; D11/155, 156, 508;  
99/324, 339, 340, 422-426, 428, 445; 206/515,  
206/519; 220/573.1-573.4, 574, 608, 645,  
220/672-675, 769, 780, 912; 249/117, 119,  
249/121, 126, 127, 204; D24/123

See application file for complete search history.

(56) **References Cited**

**U.S. PATENT DOCUMENTS**

- 1,960,407 A \* 5/1934 Bothe ..... 220/574
- D174,831 S \* 5/1955 Nowak ..... D7/550.1
- D178,162 S \* 6/1956 Van Ike ..... D11/156
- D178,985 S \* 10/1956 Block ..... D7/545
- D206,773 S \* 1/1967 Reny ..... D9/424
- D208,831 S \* 10/1967 Stockdale ..... D9/425
- D211,237 S \* 6/1968 Buff ..... D9/425
- D223,189 S \* 3/1972 Dittman ..... D9/760
- D240,355 S \* 6/1976 Chadbourne ..... D9/425
- D305,618 S \* 1/1990 Blaser ..... D9/425
- D321,815 S \* 11/1991 Bowdler ..... D7/560

- D353,517 S \* 12/1994 Hillman ..... D7/554.3
- D358,965 S \* 6/1995 Meier et al. .... D7/554.3
- D380,349 S \* 7/1997 Indekeu ..... D7/602
- D380,938 S \* 7/1997 Indekeu ..... D7/554.3
- D381,560 S \* 7/1997 Indekeu ..... D7/538
- D382,445 S \* 8/1997 Indekeu ..... D7/554.2
- D391,762 S \* 3/1998 Ahern, Jr. .... D9/425
- D425,759 S \* 5/2000 Henry ..... D7/545
- D469,319 S \* 1/2003 Pettaweebuncha ..... D7/629
- D469,665 S \* 2/2003 Pettaweebuncha ..... D7/629
- D472,430 S \* 4/2003 Scherer ..... D7/570
- D486,701 S \* 2/2004 Kotsonis et al. .... D7/672
- D487,378 S \* 3/2004 Frank ..... D7/553.5
- D501,760 S \* 2/2005 Bukowski ..... D7/550.1
- D503,871 S \* 4/2005 Armer ..... D7/554.3
- D504,283 S \* 4/2005 Armer ..... D7/554.3
- D513,704 S \* 1/2006 Bukowski ..... D9/715
- D539,134 S \* 3/2007 Wallach ..... D9/416
- D540,624 S 4/2007 Wasserman et al.
- D541,591 S 5/2007 Wasserman et al.
- D543,075 S \* 5/2007 Ablo ..... D7/566
- D559,031 S \* 1/2008 Piccirilli ..... D7/354
- D569,169 S 5/2008 Munson

(Continued)

*Primary Examiner*—Cynthia M Chin  
(74) *Attorney, Agent, or Firm*—McAfee & Taft

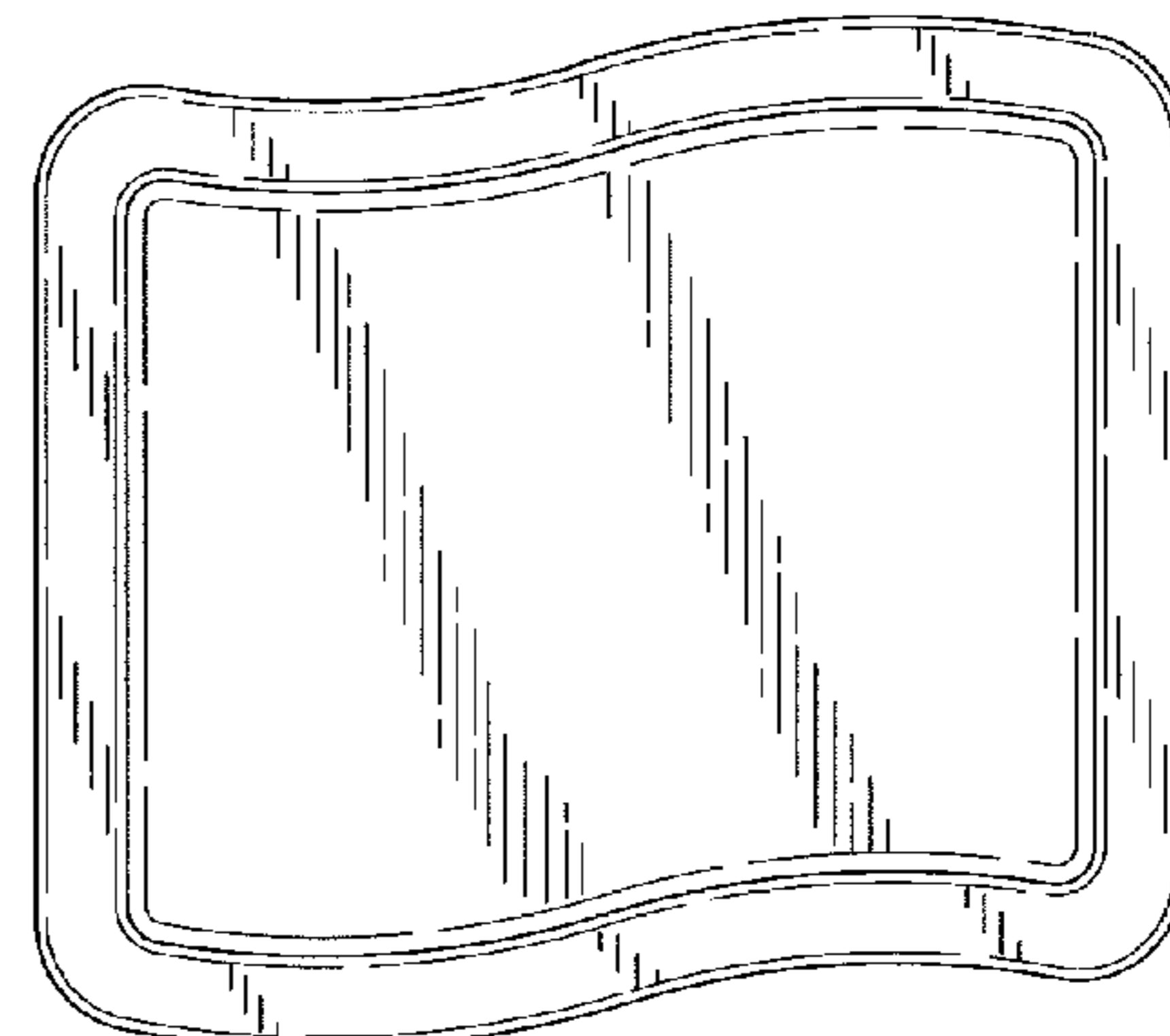
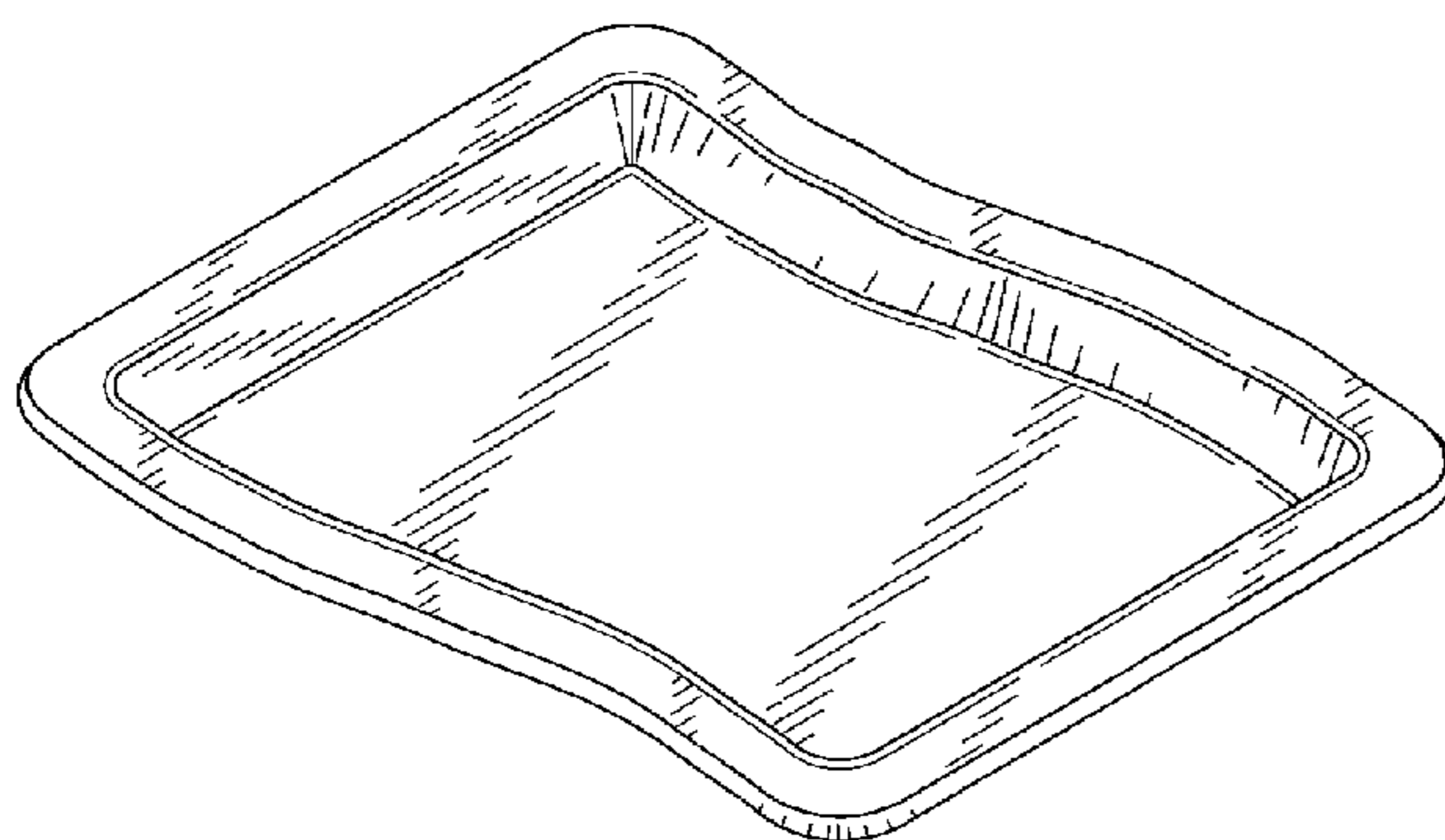
(57) **CLAIM**

The ornamental design for a food pan lid, as shown and described.

**DESCRIPTION**

FIG. 1 is a top perspective view of the claimed design;  
FIG. 2 is a top view thereof;  
FIG. 3 is a bottom view thereof;  
FIG. 4 is a left-side view thereof;  
FIG. 5 is a right-side view thereof;  
FIG. 6 is a rear view thereof; and,  
FIG. 7 is a front view thereof.

**1 Claim, 2 Drawing Sheets**



# US D630,045 S

Page 2

---

## U.S. PATENT DOCUMENTS

D569,690 S *	5/2008	Schosser .....	D7/570	D579,767 S *	11/2008	Wallach .....	D9/416
D569,722 S *	5/2008	Stamper et al. ....	D9/425	D581,209 S *	11/2008	Brown .....	D7/392.1
D575,586 S *	8/2008	Schosser .....	D7/570	D596,893 S	7/2009	Tosdale et al.	
D575,587 S *	8/2008	Schosser .....	D7/584	D597,371 S	8/2009	Tosdale et al.	
D575,590 S *	8/2008	Ablo .....	D7/586	D608,633 S *	1/2010	Elmerhaus .....	D24/123

\* cited by examiner

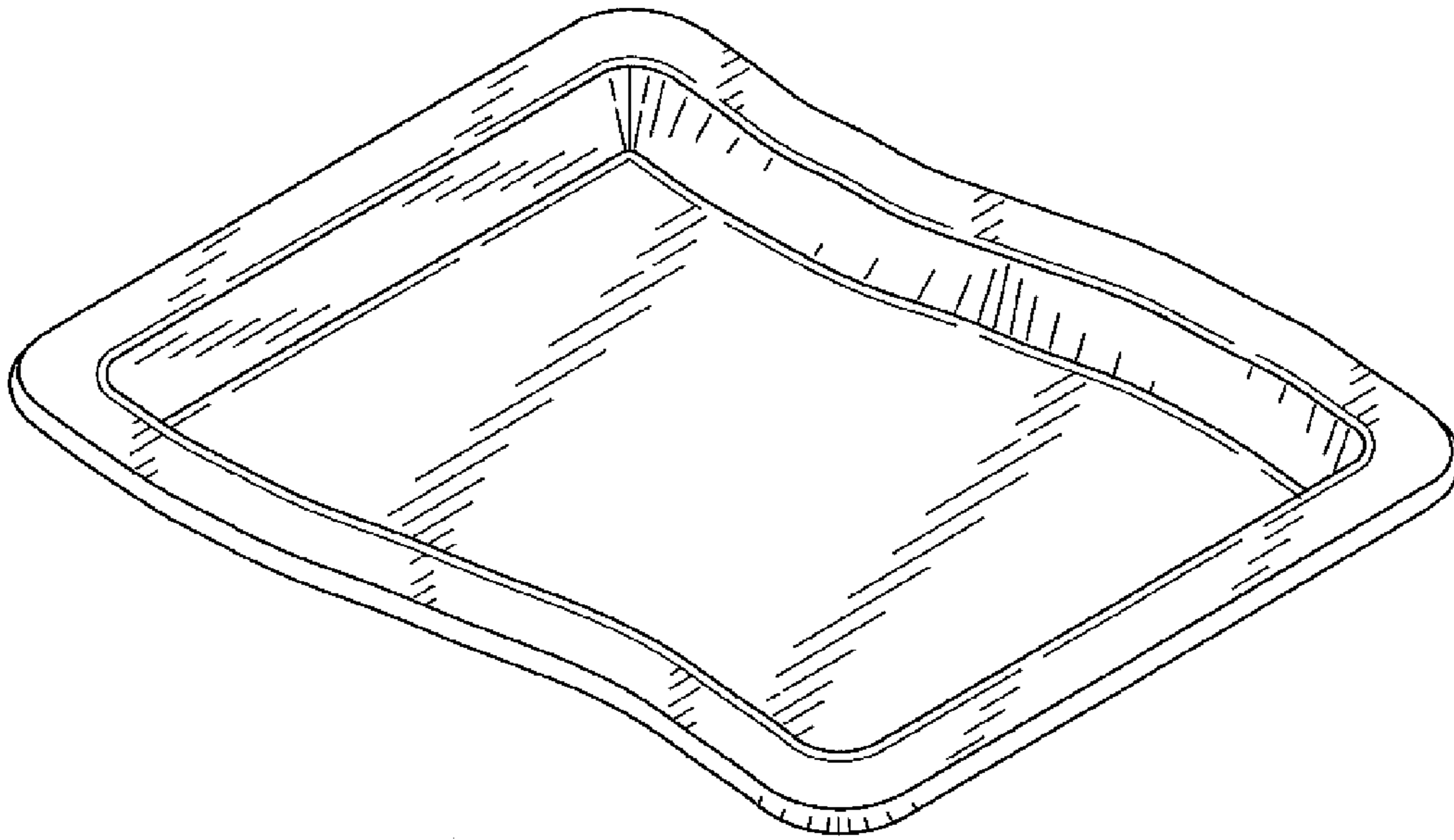


FIG. 1

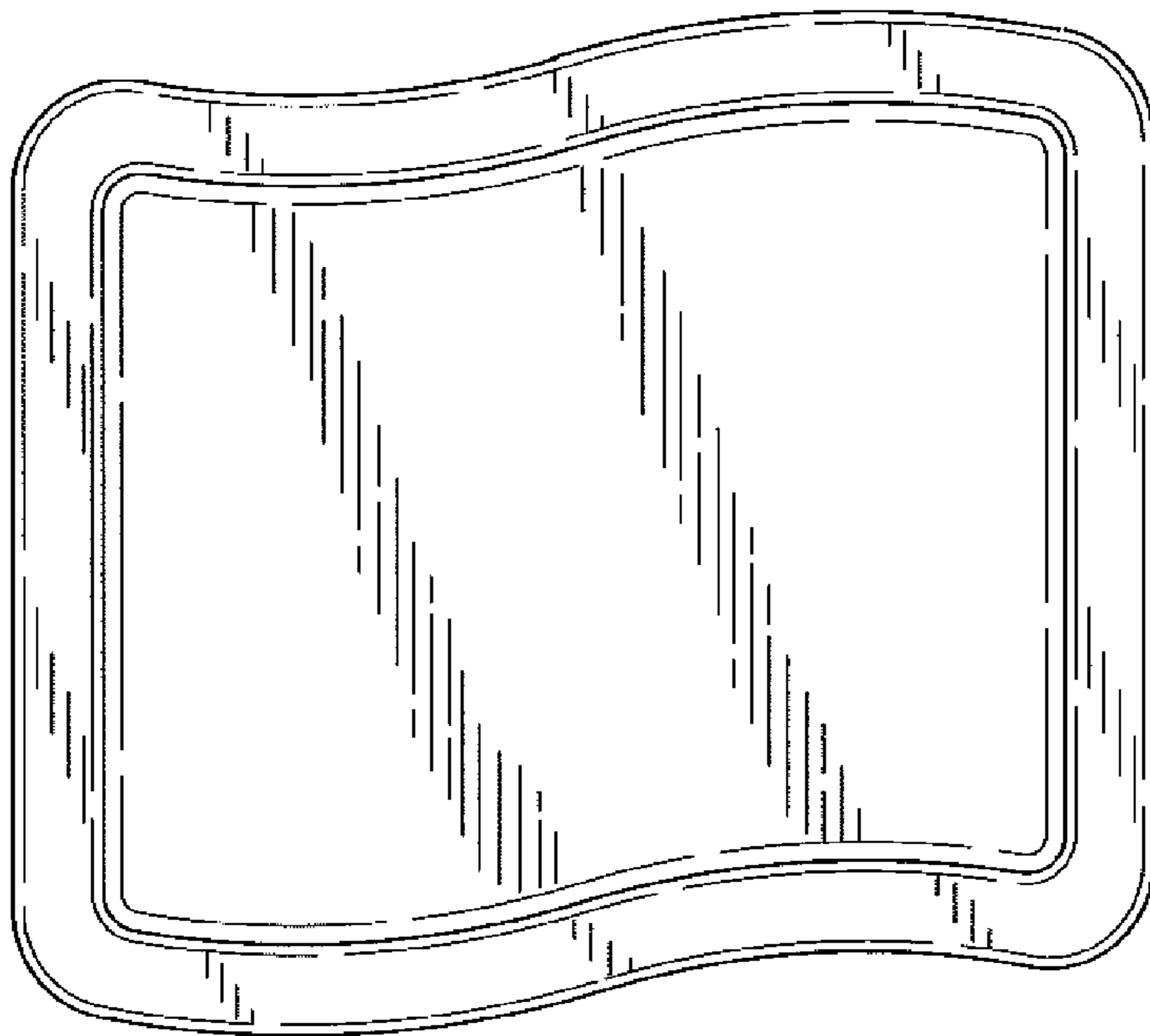


FIG. 2

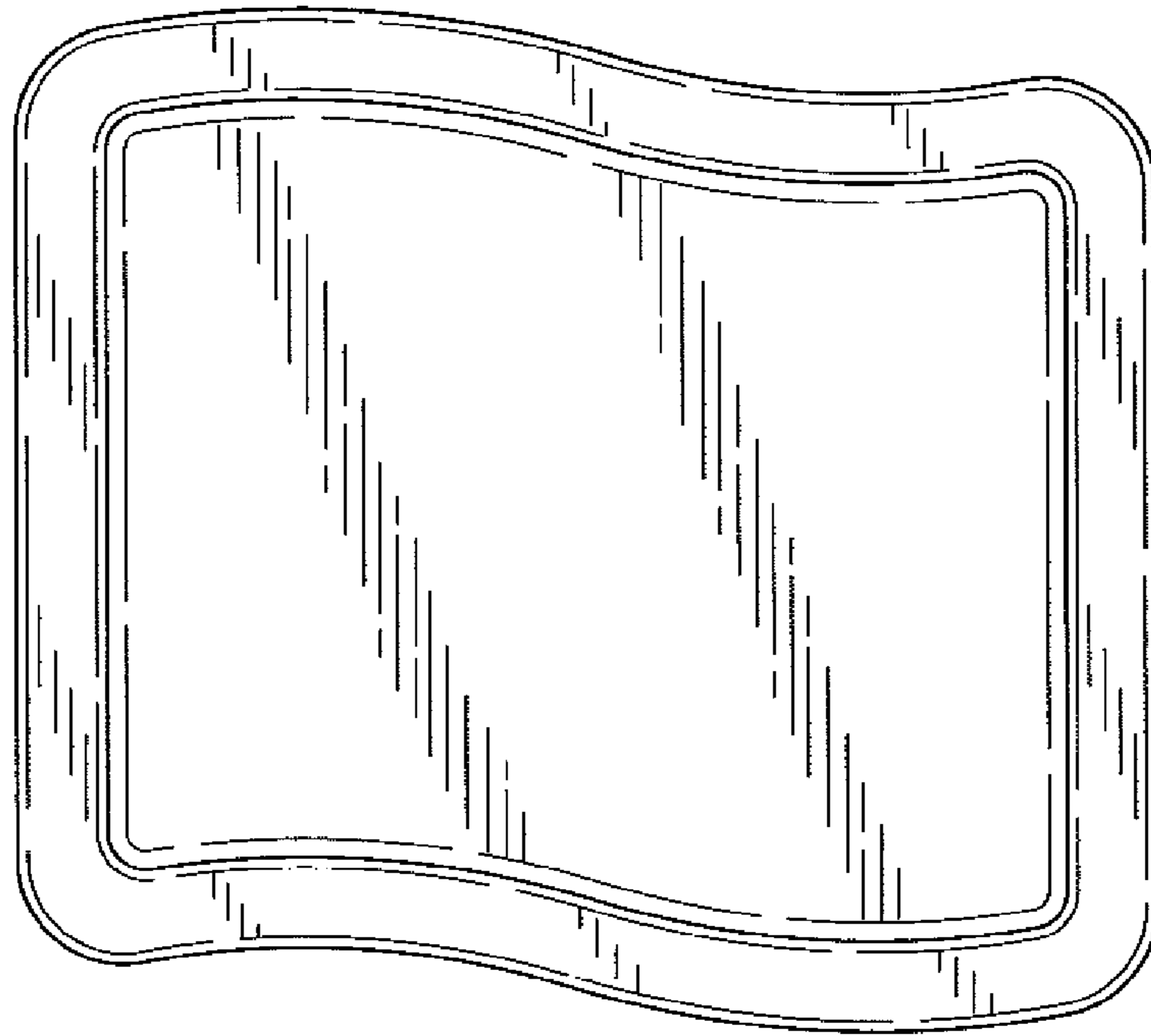


FIG. 1

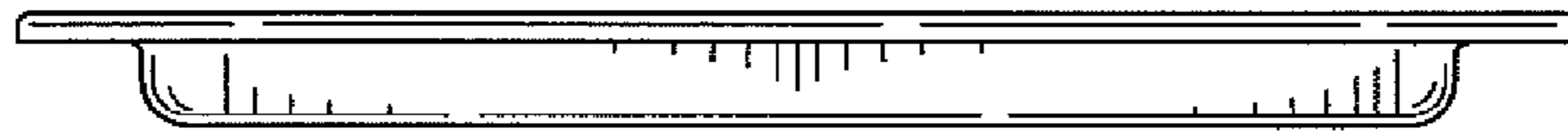


FIG. 2

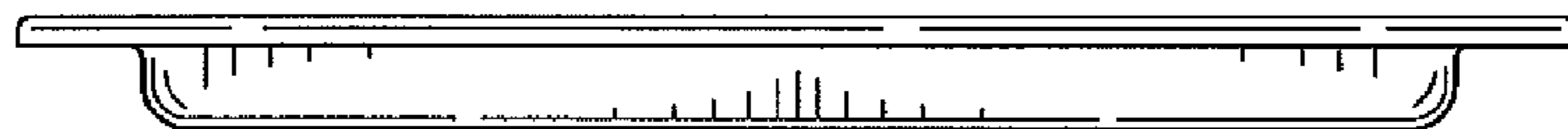


FIG. 3

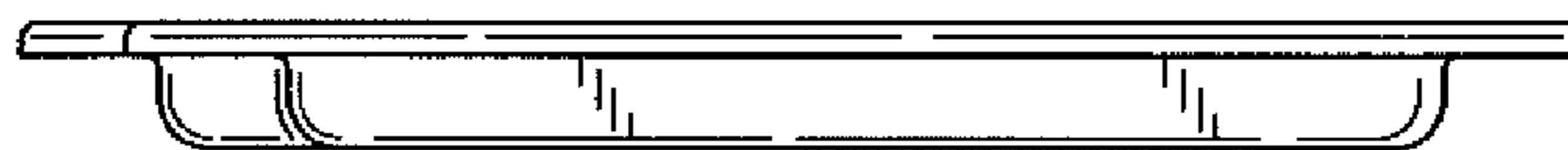


FIG. 4

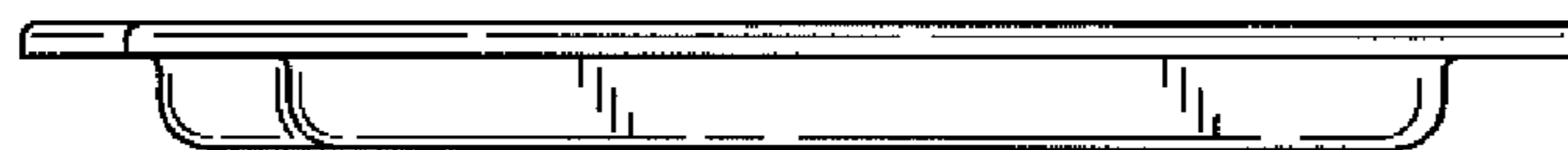


FIG. 5