



US00D630044S

(12) **United States Design Patent**
Lane et al.

(10) **Patent No.:** **US D630,044 S**
(45) **Date of Patent:** **** Jan. 4, 2011**

(54) **STOPPER/LID FOR A BOTTLE**

(75) Inventors: **Marvin Lane**, Round Lake Beach, IL (US); **Dwayne Boroski**, Lake in the Hills, IL (US); **Shawn Young**, Algonquin, IL (US)

(73) Assignee: **Thermos L.L.C.**, Rolling Meadows, IL (US)

(**) Term: **14 Years**

(21) Appl. No.: **29/355,464**

(22) Filed: **Feb. 8, 2010**

(51) **LOC (9) Cl.** **07-02**

(52) **U.S. Cl.** **D7/392.1; D9/435**

(58) **Field of Classification Search** D7/300, D7/300.1, 317, 391, 392, 392.1, 396.1, 397, D7/398, 509, 510, 511; D9/434, 435, 439, D9/440, 443, 446, 447, 448, 449, 450, 452, D9/453, 454, 686, 68, 690, 692; 222/566, 222/568, 570; 215/200, 224, 228, 260, 296, 215/355, 356, 357

See application file for complete search history.

(56) **References Cited**

U.S. PATENT DOCUMENTS

D212,463	S	*	10/1968	Vanderhyde	D9/450
D219,806	S	*	2/1971	Coleman et al.	D9/439
3,716,163	A	*	2/1973	Marcel	D9/439
D240,716	S	*	7/1976	Hegi	D9/440
D356,871	S	*	3/1995	Dunn	D9/452
D364,810	S	*	12/1995	Meisner	D9/446
D375,018	S	*	10/1996	Goto et al.	D7/392.1
D375,019	S	*	10/1996	Goto et al.	D7/392.1

D381,243	S	*	7/1997	Goto et al.	D7/392.1
D412,640	S	*	8/1999	Much	D7/392
D413,485	S	*	9/1999	Much	D7/392.1
D418,364	S	*	1/2000	Demore	D7/392.1
D475,923	S	*	6/2003	Renz	D9/449
D476,890	S	*	7/2003	Hirose	D9/440
D505,294	S	*	5/2005	Gauss	D7/392.1
D572,078	S	*	7/2008	Bhavnani	D7/392.1
D605,942	S	*	12/2009	Miksovsky	D9/446

* cited by examiner

Primary Examiner—Cynthia M Chin

(74) *Attorney, Agent, or Firm*—Wood, Phillips, Katz, Clark & Mortimer

(57) **CLAIM**

The ornamental design for a stopper/lid for a bottle, as shown and described.

DESCRIPTION

FIG. 1 is a perspective view from above and to the front of the stopper/lid;

FIG. 2 is a perspective view from below and to the back of the stopper/lid;

FIG. 3 is a right side elevation view of the stopper/lid of FIGS. 1-2, with the left side elevation being a mirror image;

FIG. 4 is a front view of the stopper/lid;

FIG. 5 is a back view of the stopper/lid;

FIG. 6 is a top plan view of the stopper/lid; and,

FIG. 7 is a bottom view of the stopper/lid.

The broken lines represent portions of the design that form no part of the claim.

1 Claim, 4 Drawing Sheets

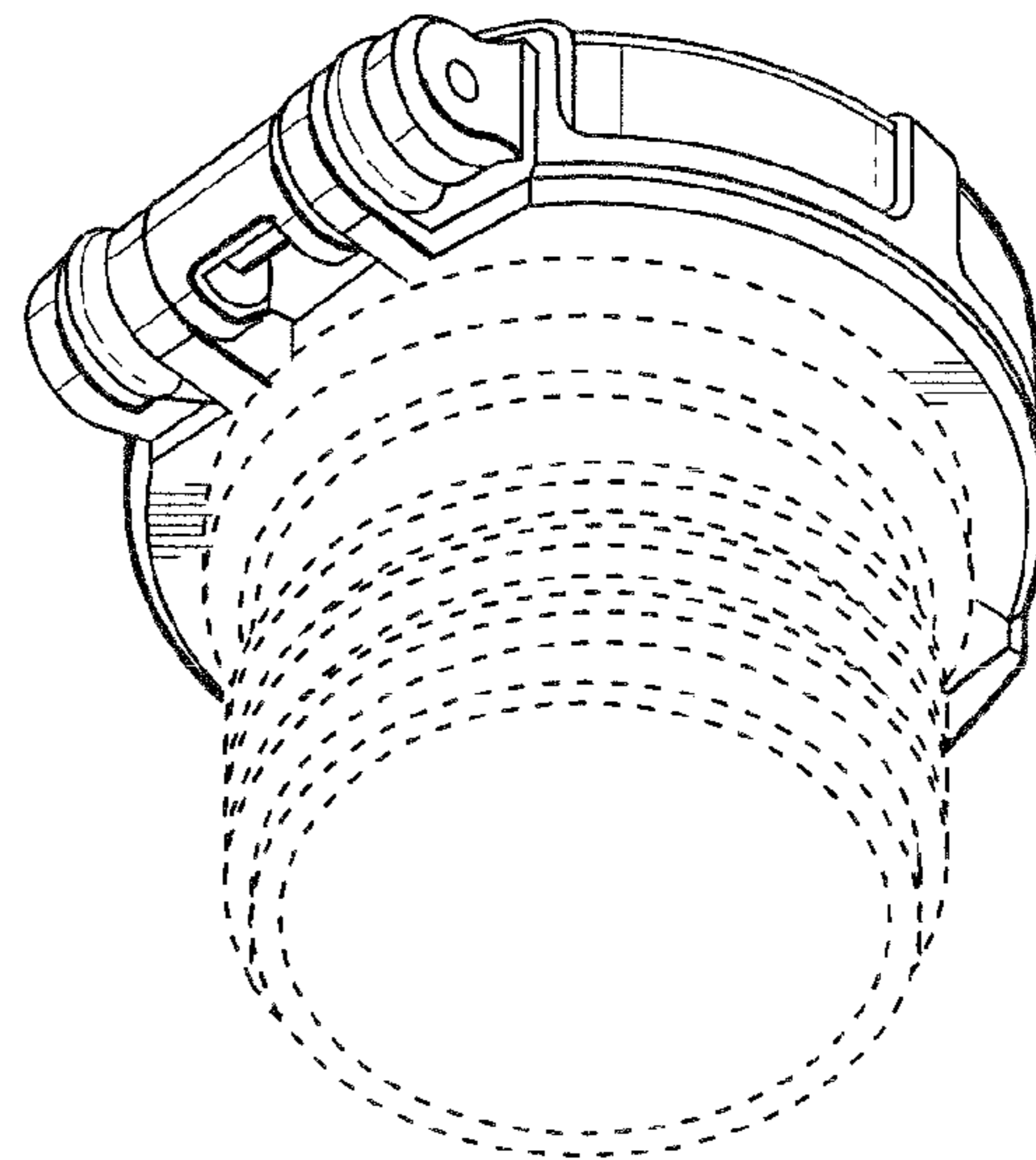
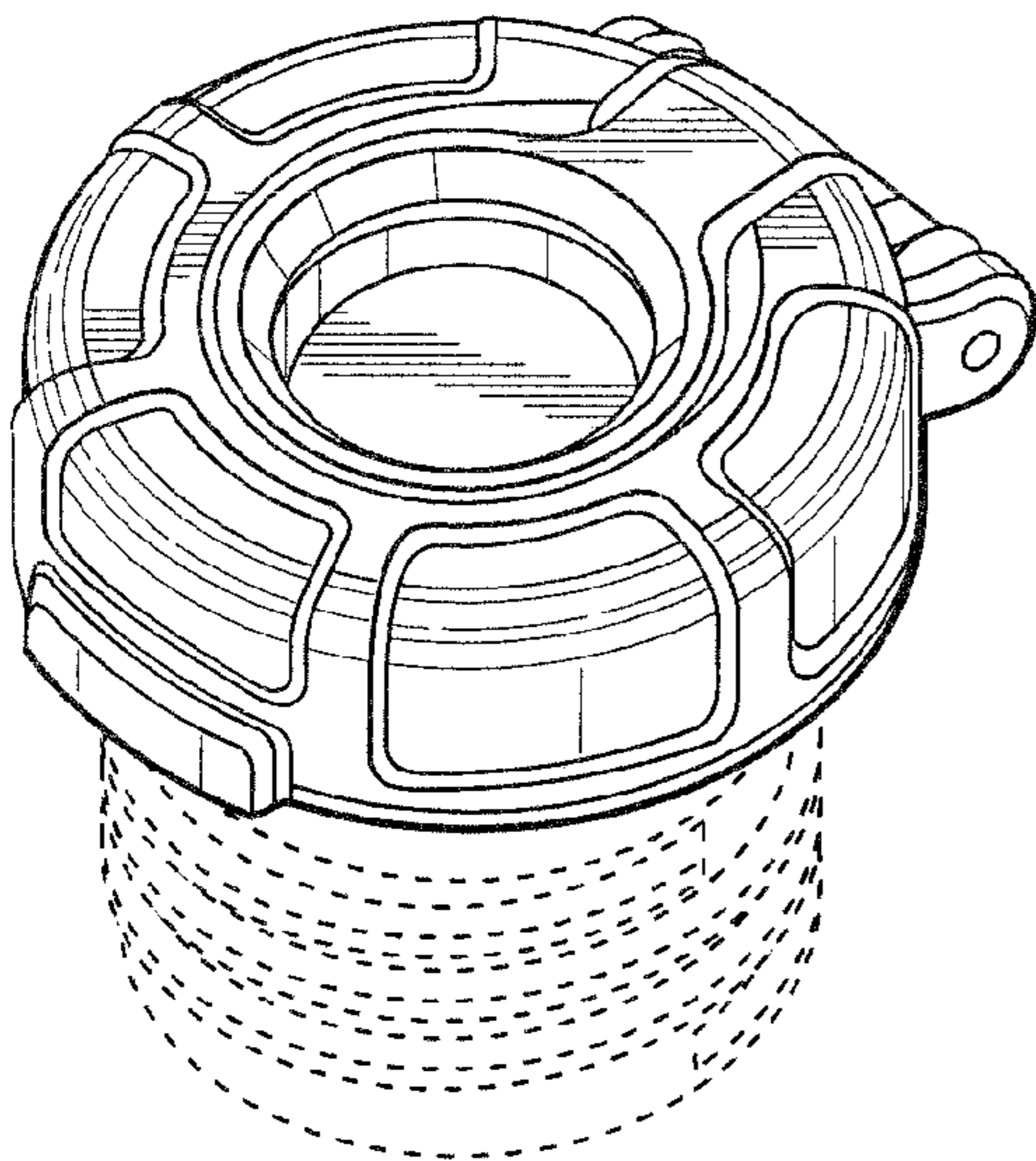


Fig. 1

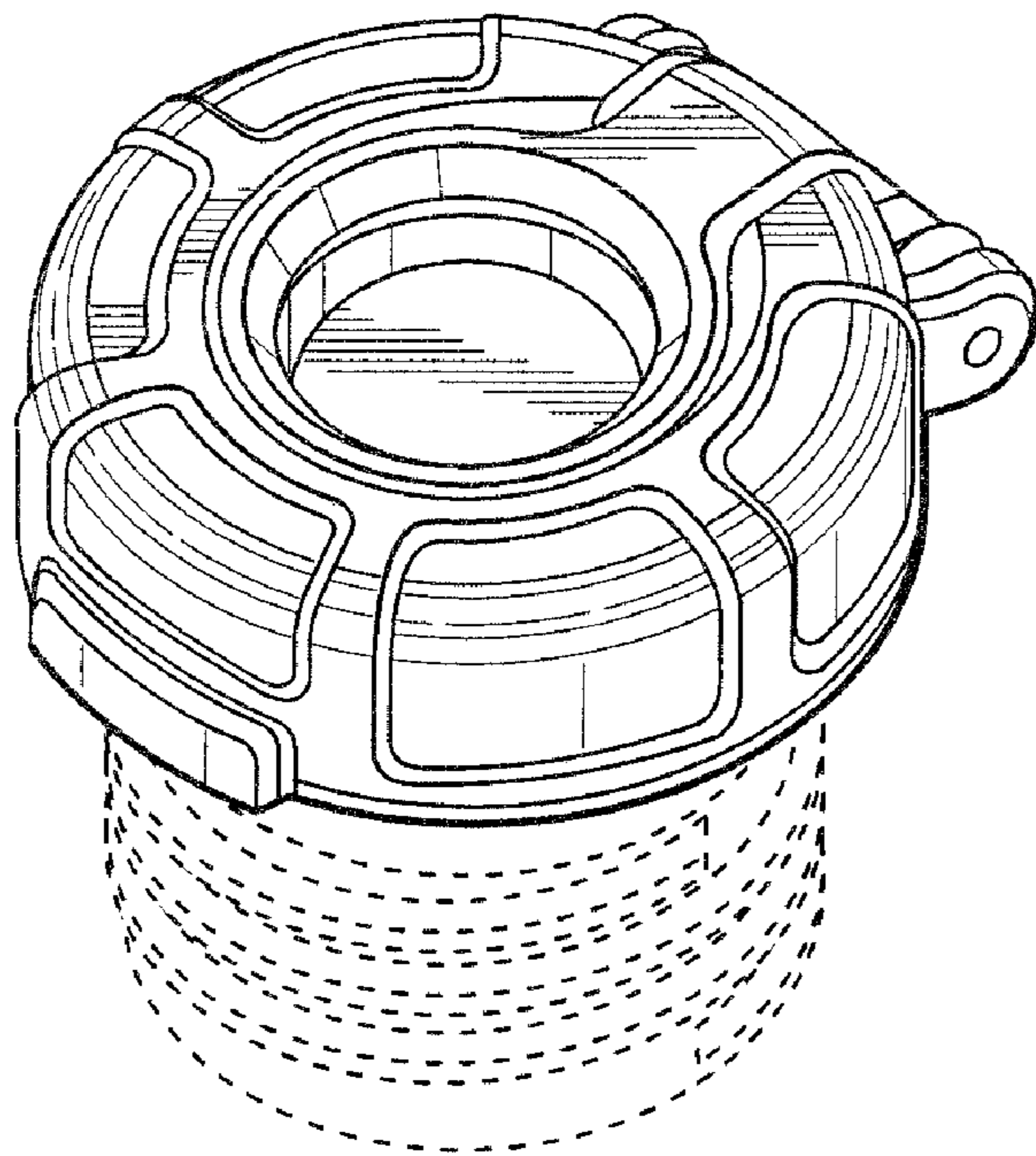


Fig. 2

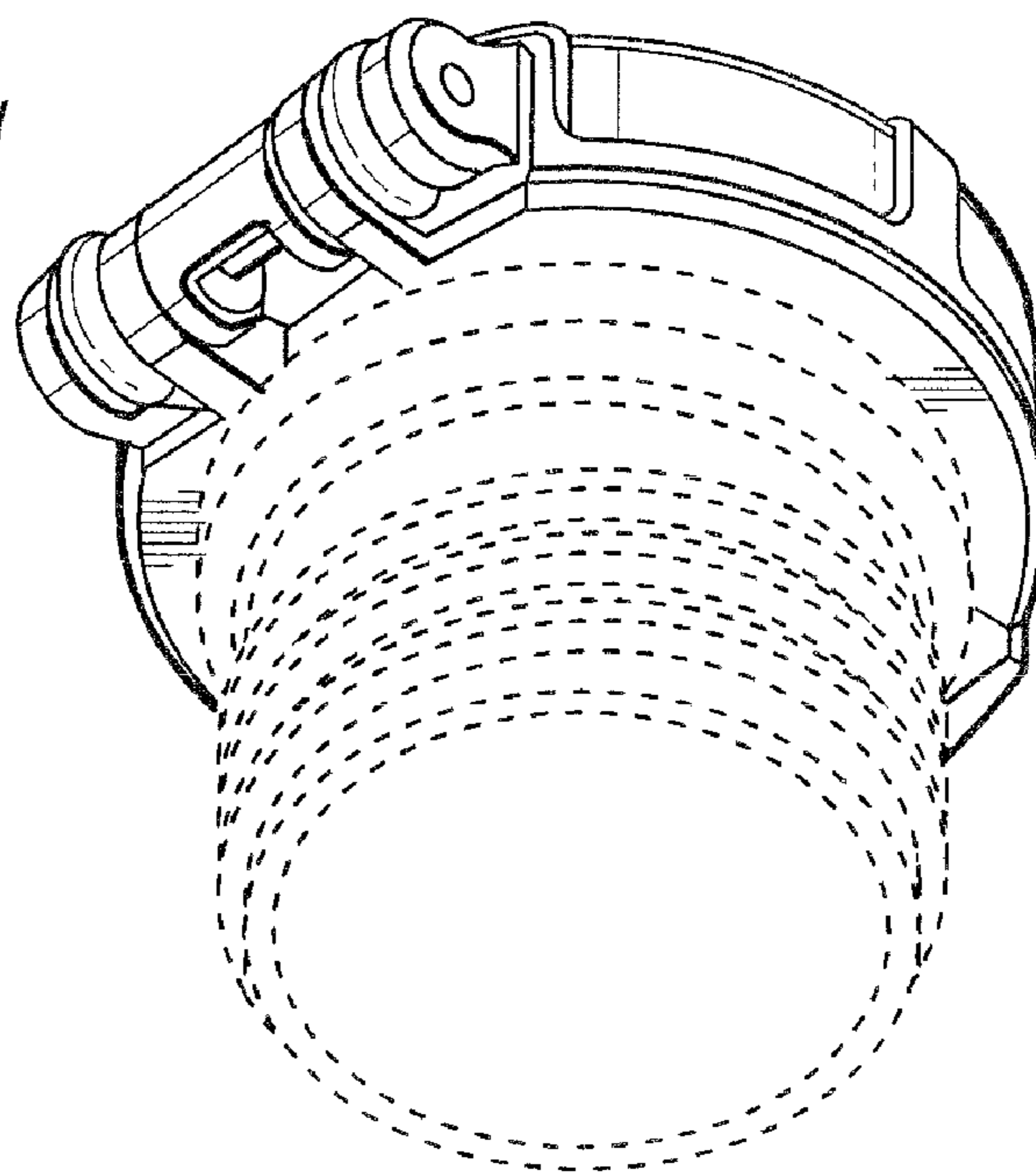


Fig. 3

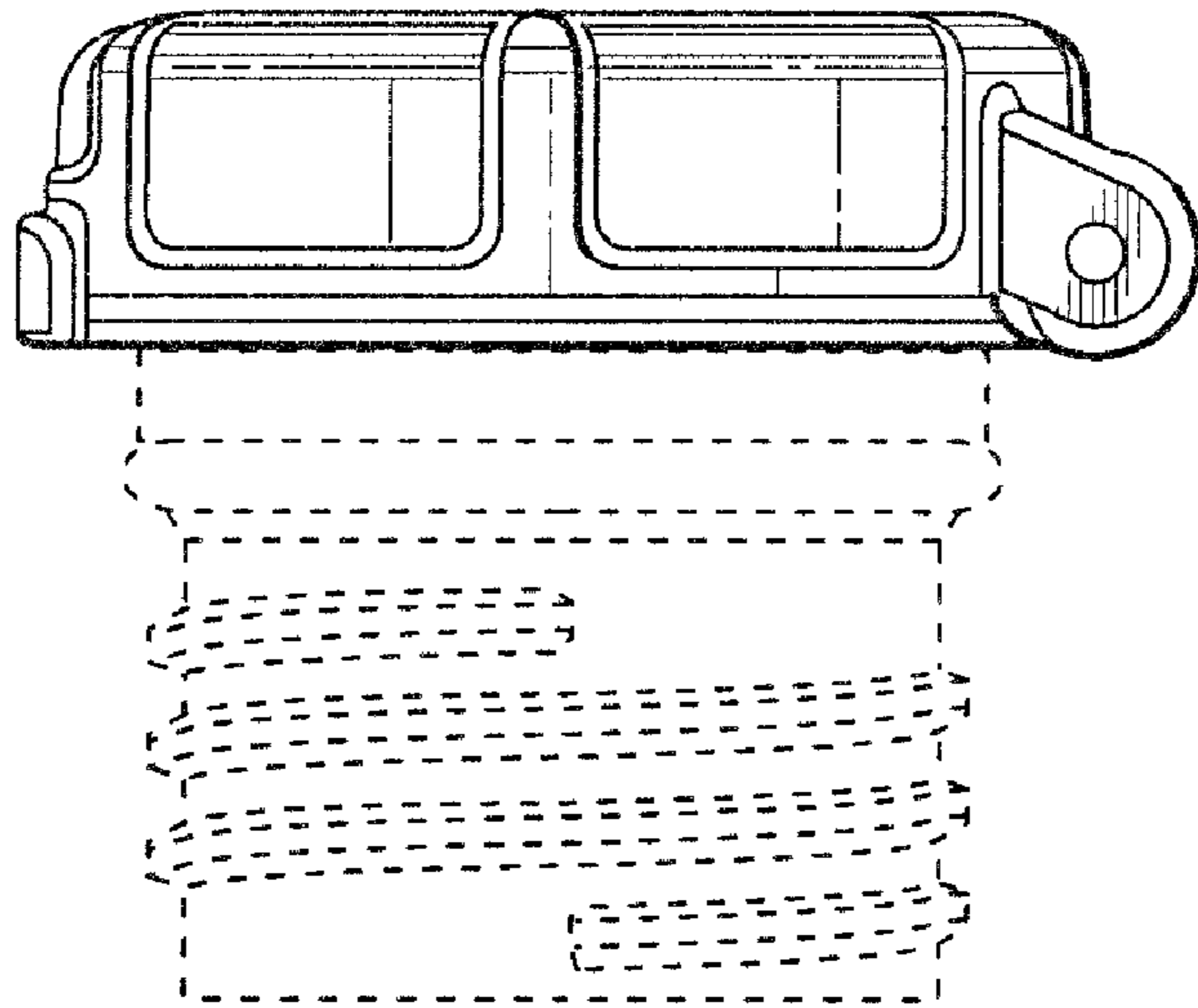


Fig. 4

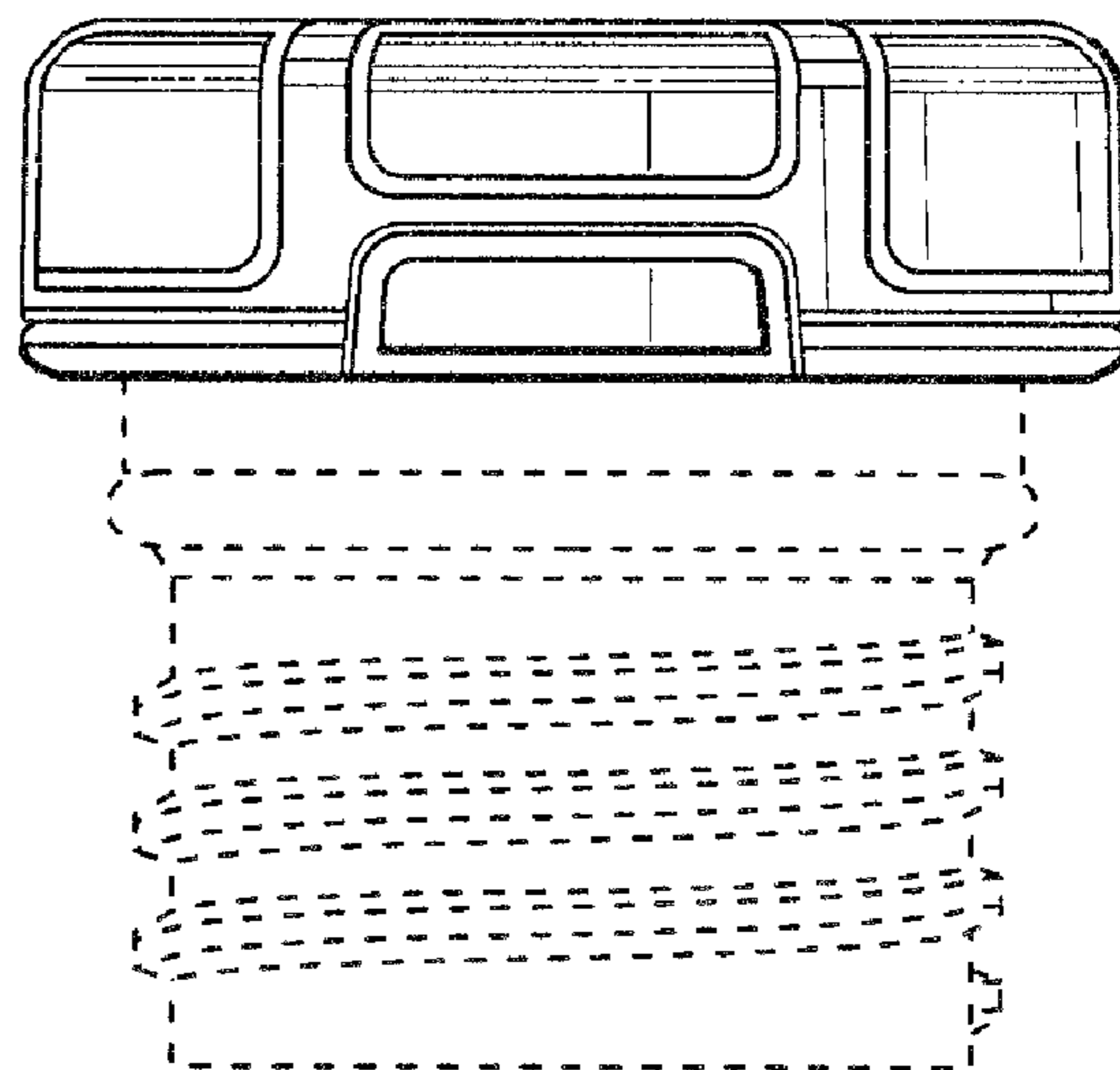


Fig. 5

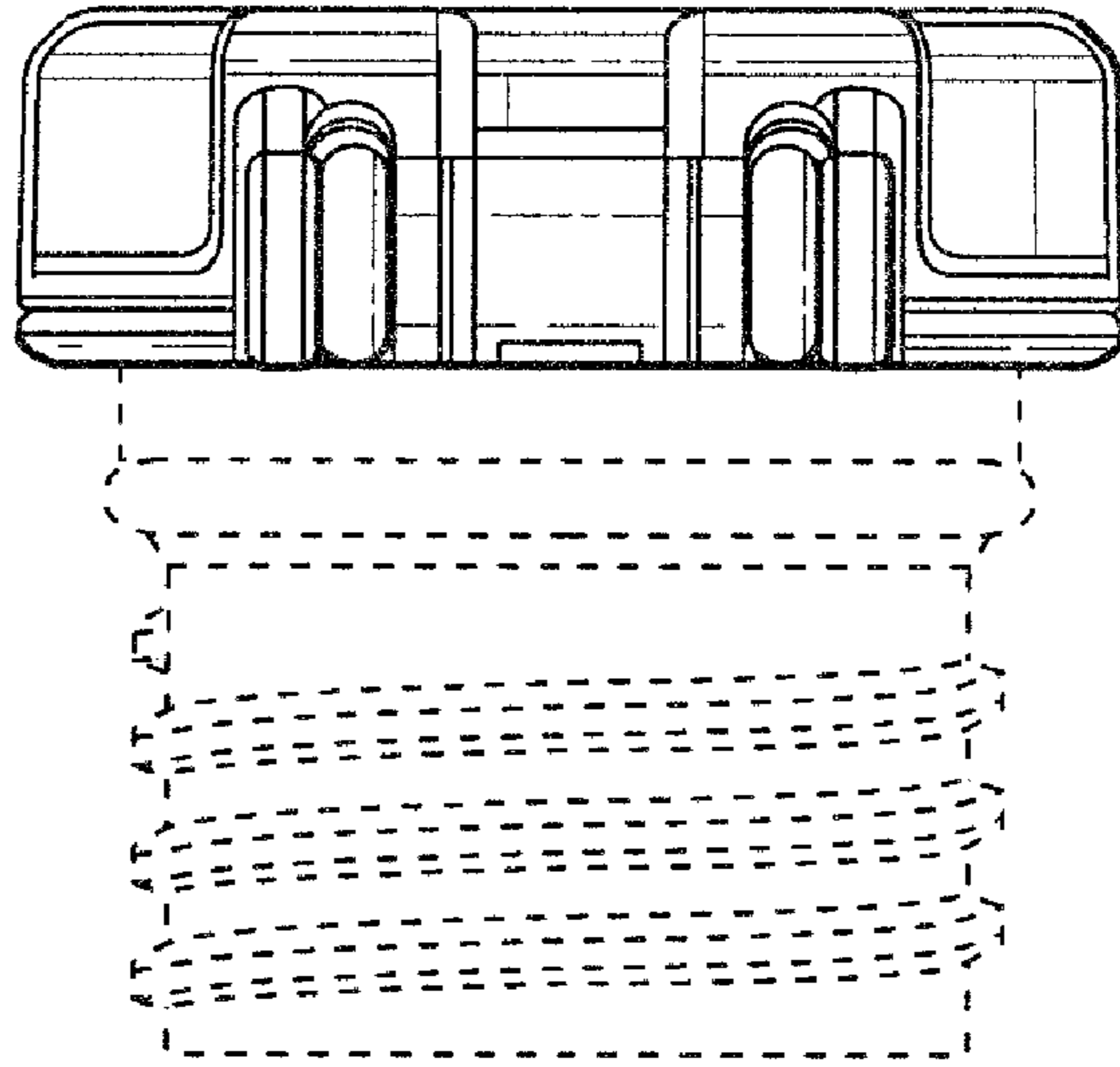


Fig. 6

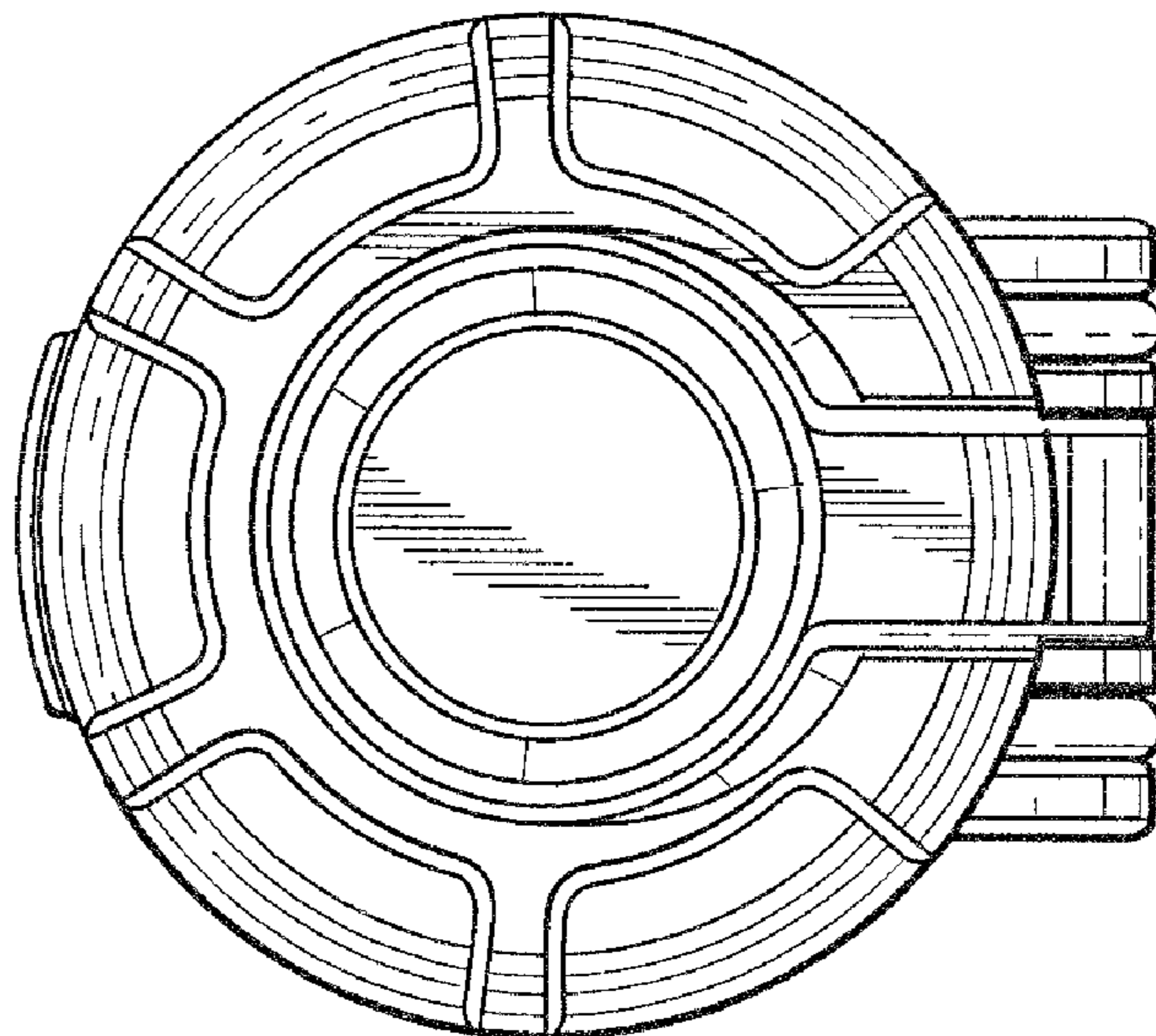


Fig. 7

