



US00D630041S

(12) **United States Design Patent**  
**Cai**

(10) **Patent No.:** **US D630,041 S**

(45) **Date of Patent:** **\*\* Jan. 4, 2011**

(54) **FOOD PROCESSOR**

(75) Inventor: **Caide Cai**, Hangzhou (CN)

(73) Assignee: **Zhejiang Supor Electrical Appliances Manufacturing Co. Ltd.**, Zhejiang, Province (CN)

(\*\*) Term: **14 Years**

(21) Appl. No.: **29/365,520**

(22) Filed: **Jul. 9, 2010**

(51) **LOC (9) Cl.** ..... **31-00**

(52) **U.S. Cl.** ..... **D7/384; D7/376; D7/378**

(58) **Field of Classification Search** ..... D7/305–311,  
D7/317–318, 355, 373, 376–386, 412–415,  
D7/665; 99/348, 509–511; 241/30–37.5,  
241/101.01–101.2, 166–169.1, 285.1–285.3,  
241/291, 292.1; 366/64–67, 98, 142, 197–211,  
366/241–254, 279–292, 341–347  
See application file for complete search history.

(56) **References Cited**

**U.S. PATENT DOCUMENTS**

D191,152 S *	8/1961	Rawson, Jr.	.....	D7/378
D254,948 S *	5/1980	Besford	.....	D7/384
D256,318 S *	8/1980	Levin	.....	D7/384
D261,719 S *	11/1981	Gibiec	.....	D7/355

D272,120 S *	1/1984	Sawada et al.	.....	D7/384
D321,812 S *	11/1991	Maass	.....	D7/384
D349,422 S *	8/1994	Kaneko	.....	D7/376
D350,451 S *	9/1994	Dickson	.....	D7/384
D373,703 S *	9/1996	Frisell	.....	D7/384
D437,523 S *	2/2001	Glucksman et al.	.....	D7/373
D475,572 S *	6/2003	Black	.....	D7/386

\* cited by examiner

*Primary Examiner*—Ricky Pham

(74) *Attorney, Agent, or Firm*—Jacobson Holman PLLC;  
Jiwen Chen

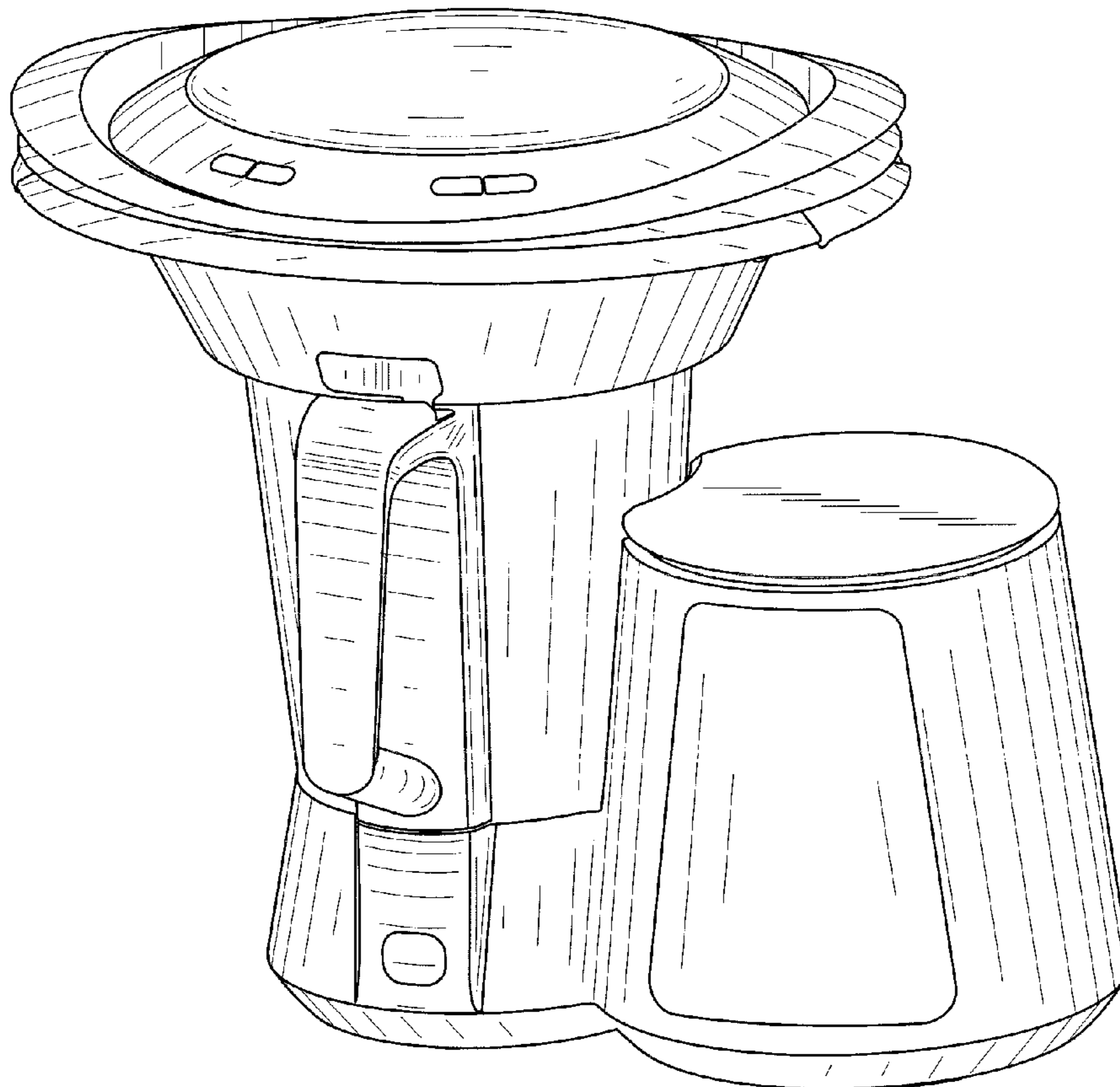
(57) **CLAIM**

I claim the ornamental design for the food processor, as shown and described.

**DESCRIPTION**

FIG. 1 is a perspective view of the food processor;  
FIG. 2 is a front elevational view thereof;  
FIG. 3 is a rear elevational view thereof;  
FIG. 4 is a left-side elevational view thereof;  
FIG. 5 is a right-side elevational view thereof;  
FIG. 6 is a top plan view thereof; and,  
FIG. 7 is a bottom plan view thereof.

**1 Claim, 7 Drawing Sheets**



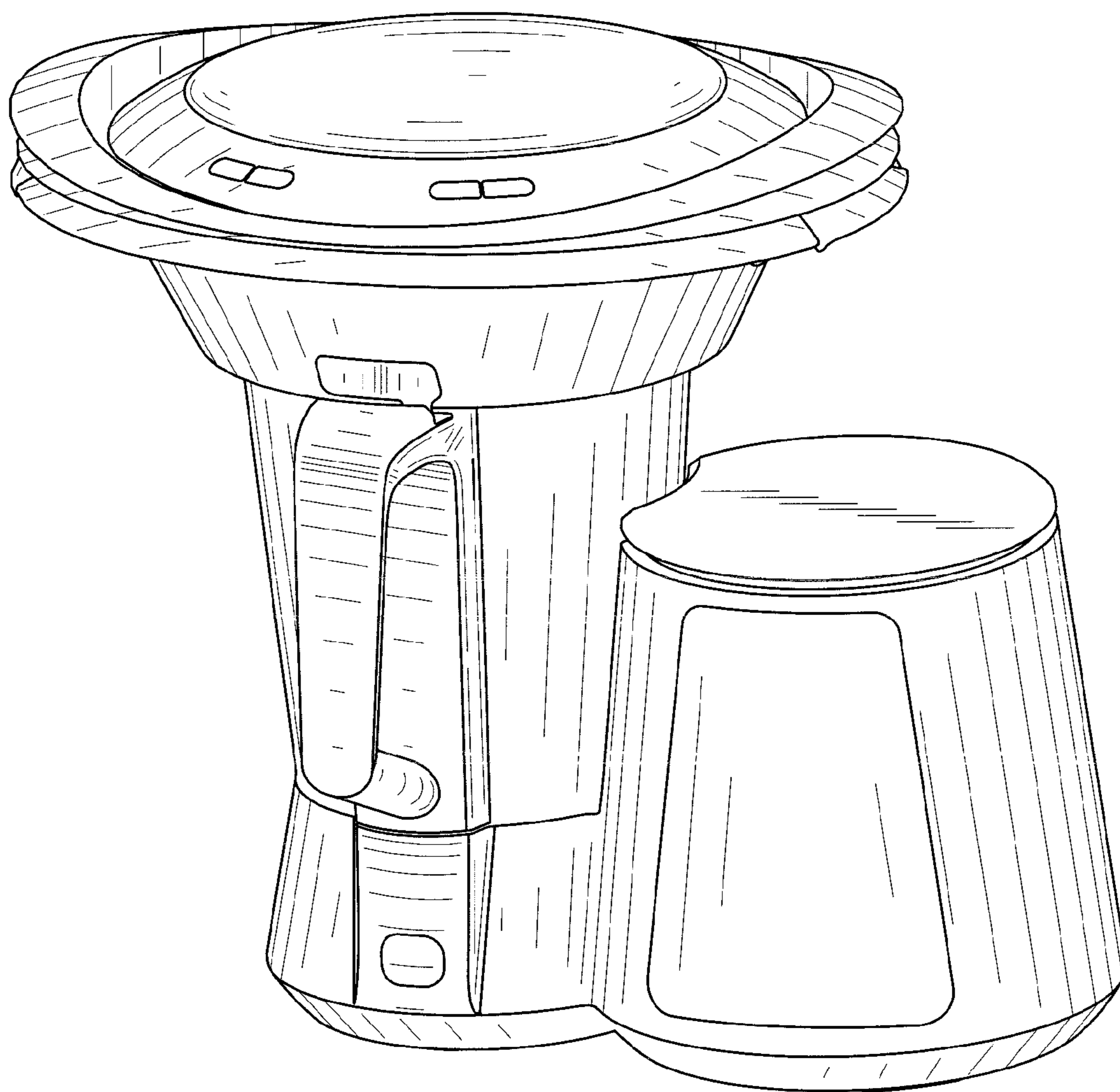


FIG. 1

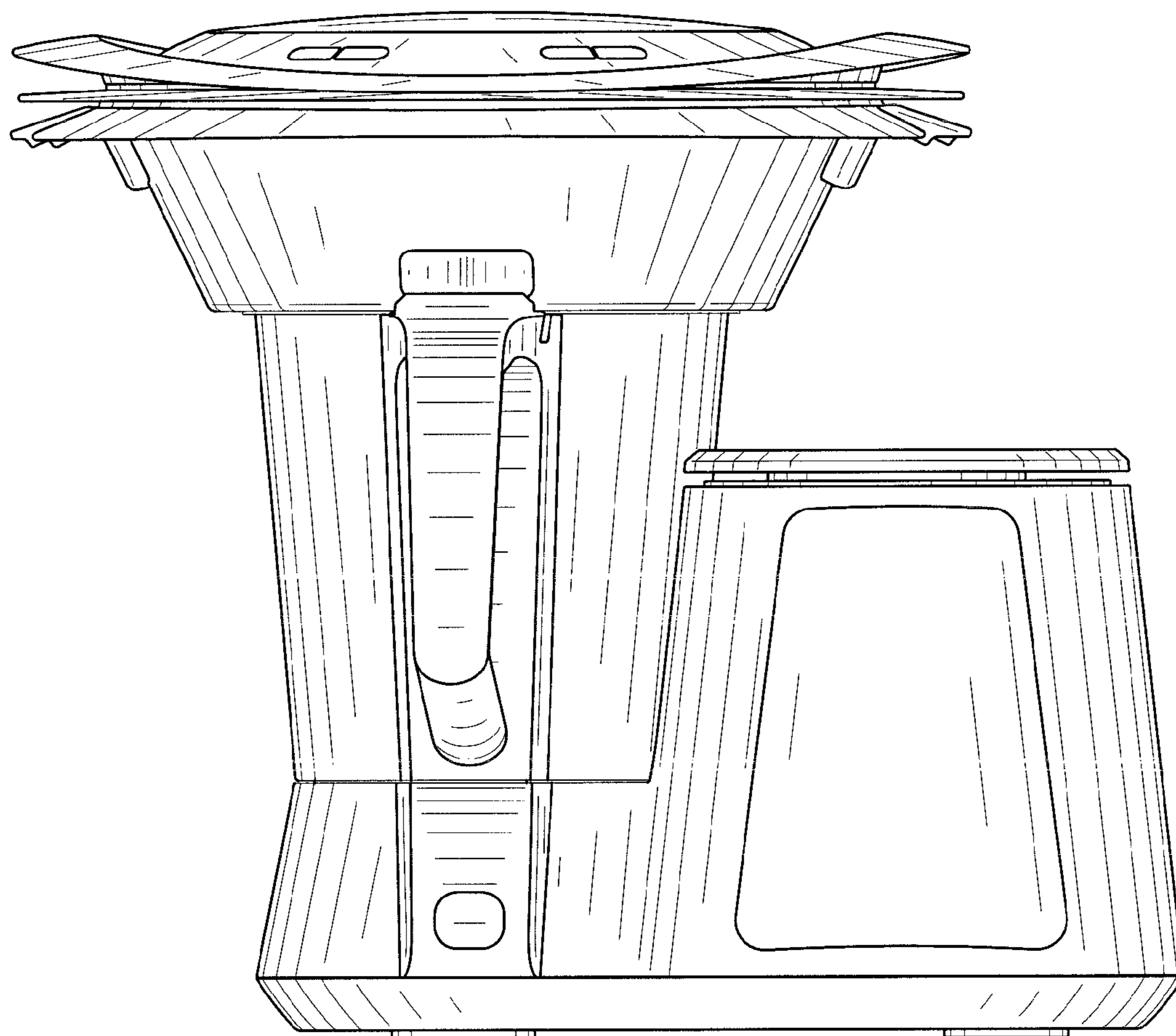


FIG. 2

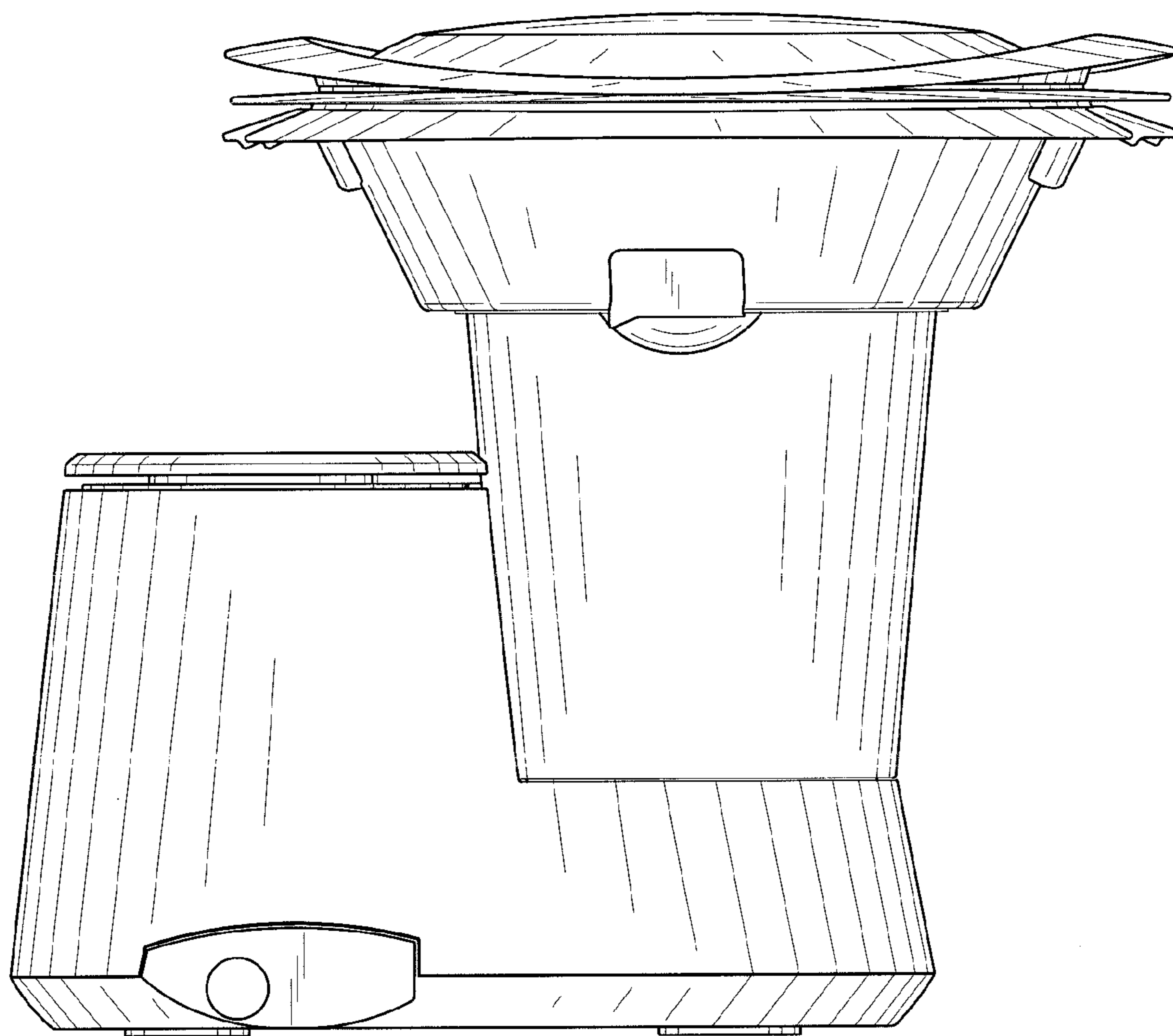


FIG. 3

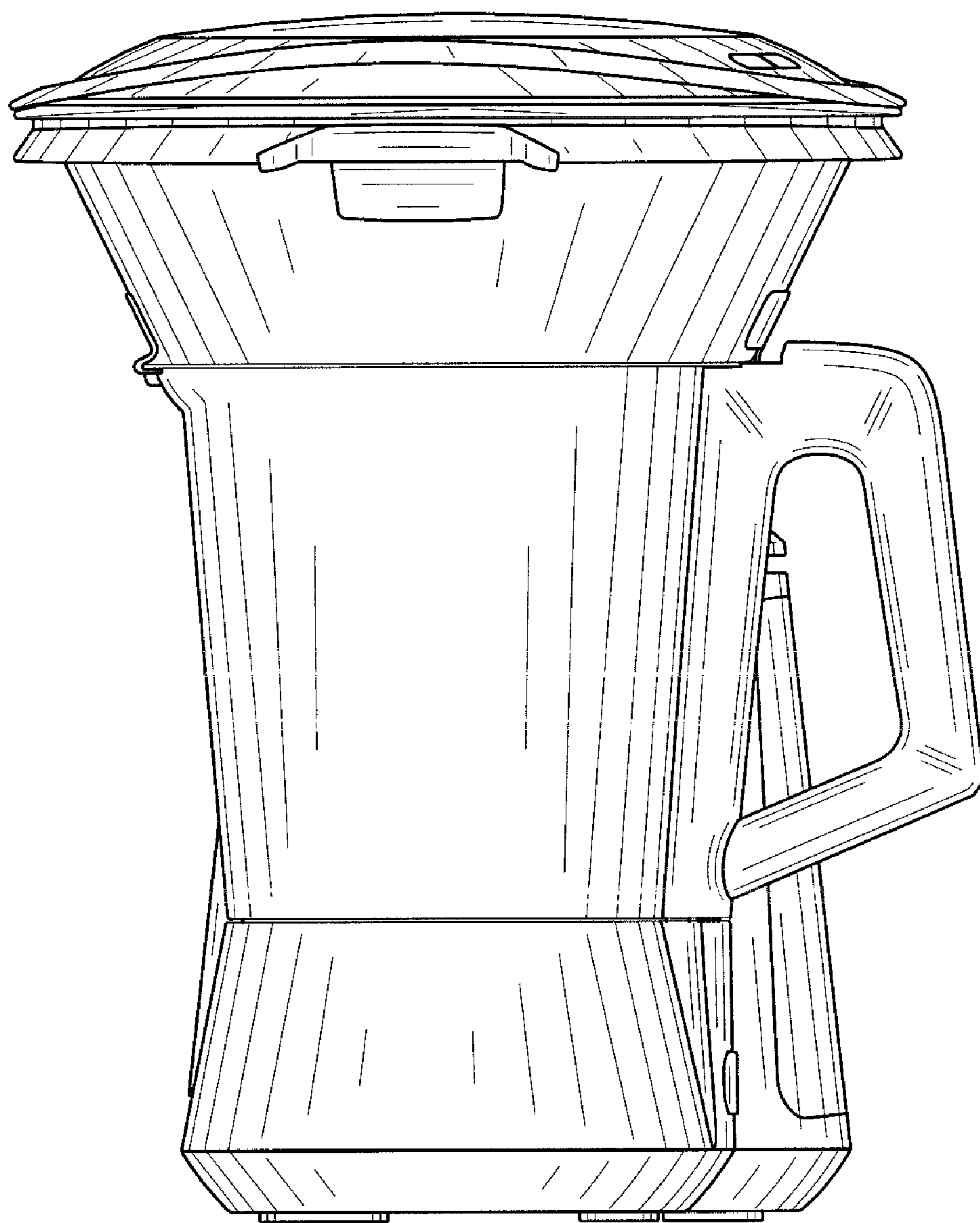


FIG. 4

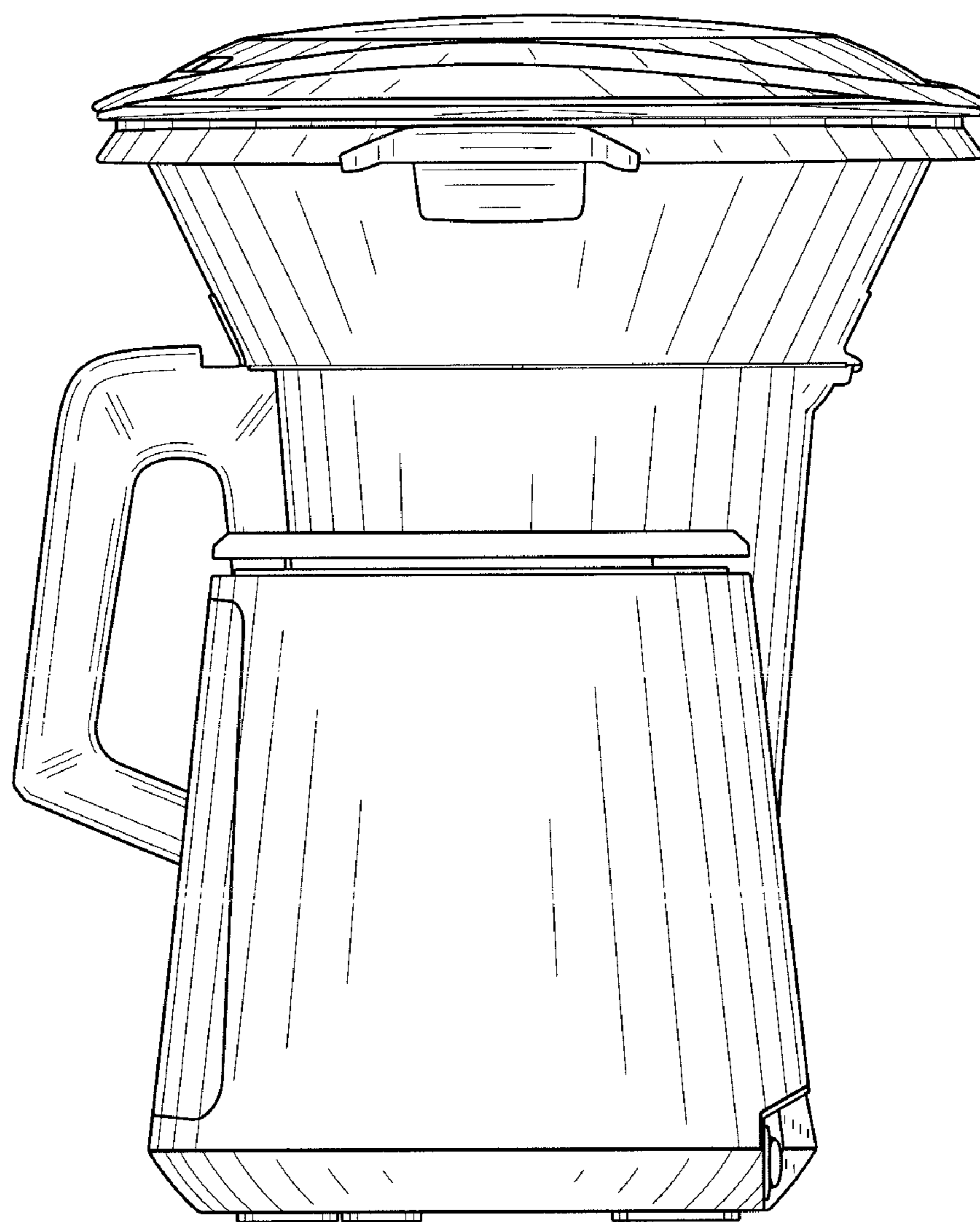


FIG. 5

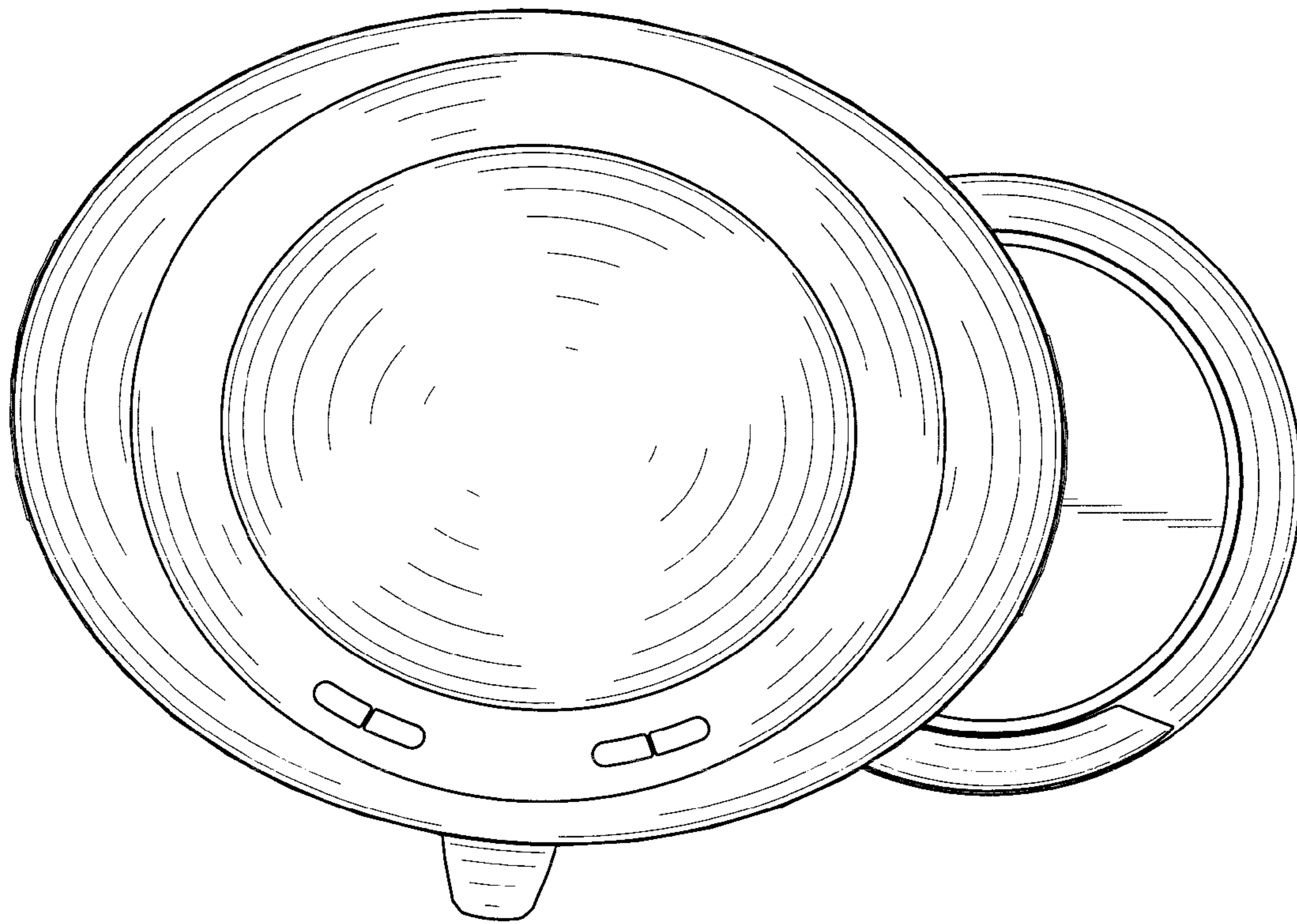


FIG. 6

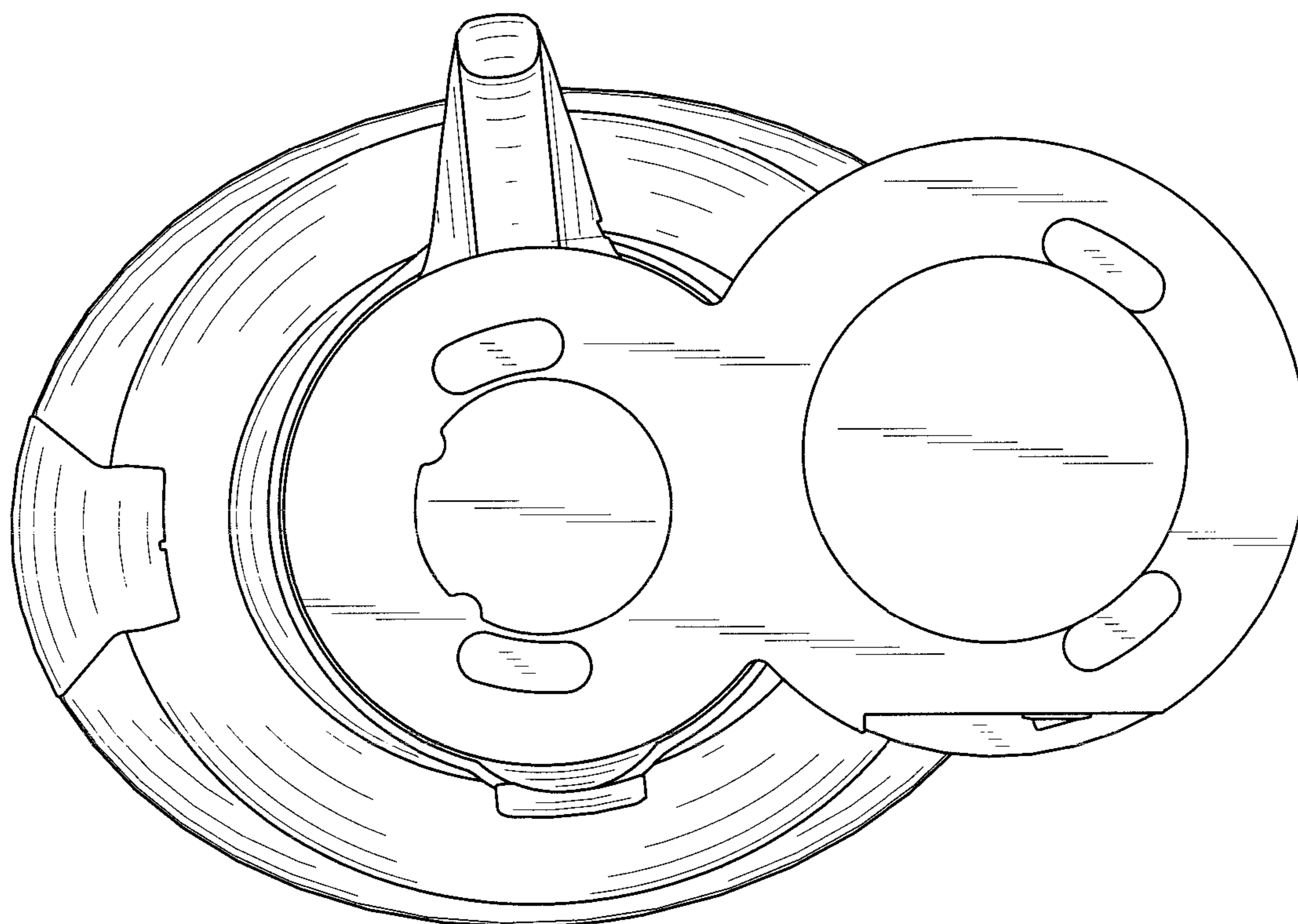


FIG. 7