



US00D630040S

(12) **United States Design Patent**
Suski et al.

(10) **Patent No.:** **US D630,040 S**

(45) **Date of Patent:** **** Jan. 4, 2011**

(54) **KAISER ROLL CUTTER MOLD**

OTHER PUBLICATIONS

(75) Inventors: **Geoff Suski**, Inver Grove Heights, MN (US); **Frank Konkle**, Elko, MN (US); **Peter A Huberg**, Shoreview, MN (US); **Ed Francis**, Carl Junction, MO (US)

LeMatic, Inc. Modular Baking Systems, "Random Dough Imprinter", brochure, 2 pages.

(Continued)

(73) Assignee: **General Mills, Inc.**, Minneapolis, MN (US)

Primary Examiner—Terry A Wallace

(74) *Attorney, Agent, or Firm*—Everett G. Diederiks; Arlene L. Hornilla

(**) Term: **14 Years**

(57) **CLAIM**

(21) Appl. No.: **29/332,689**

The ornamental design for a Kaiser roll cutter mold, as shown and described.

(22) Filed: **Feb. 23, 2009**

(51) **LOC (9) Cl.** **31-00**

(52) **U.S. Cl.** **D7/368; D7/672**

(58) **Field of Classification Search** **D7/368,**

D7/669, 672–677; 83/117, 111, 128, 150,

83/932; 101/4, 3.1, 22, 26, 36, 5, 485; 426/389,

426/383, 275, 283, 503, 518, 665, 523

See application file for complete search history.

DESCRIPTION

FIG. 1 is a top view of a Kaiser roll cutter mold according to the invention shown incorporated into a dough forming and cutting roller assembly which is illustrated in phantom;

FIG. 2 is a front elevational view of the Kaiser roll cutter mold of the invention, with the rear elevational view being a mirror image thereof;

FIG. 3 is a right side view of the Kaiser roll cutter mold of the invention, with the left side view being a mirror image thereof;

FIG. 4 is a top view of the Kaiser roll cutter mold of the invention; and,

FIG. 5 is a bottom view of the Kaiser roller cutter mold.

The broken lines in FIG. 1 showing multiple cutter molds on a drum supported by an arm and rotatably mounted, along with a roller, on a shaft, as well as the broken lines in each of FIGS. 1, 4 and 5 showing apertures in the cutter mold(s), are for illustrative purposes only and form no part of the claimed invention.

(56) **References Cited**

U.S. PATENT DOCUMENTS

1,728,702 A	9/1929	Smith	
1,841,495 A	1/1932	Mears	
1,871,755 A	8/1932	Smith	
1,944,112 A	1/1934	Schroder	
2,144,720 A	1/1939	Gibson	
2,230,778 A	2/1941	Flores	
2,346,839 A	4/1944	Harriss et al.	
2,525,987 A *	10/1950	Williamson	83/117
2,887,964 A	5/1959	Griner	

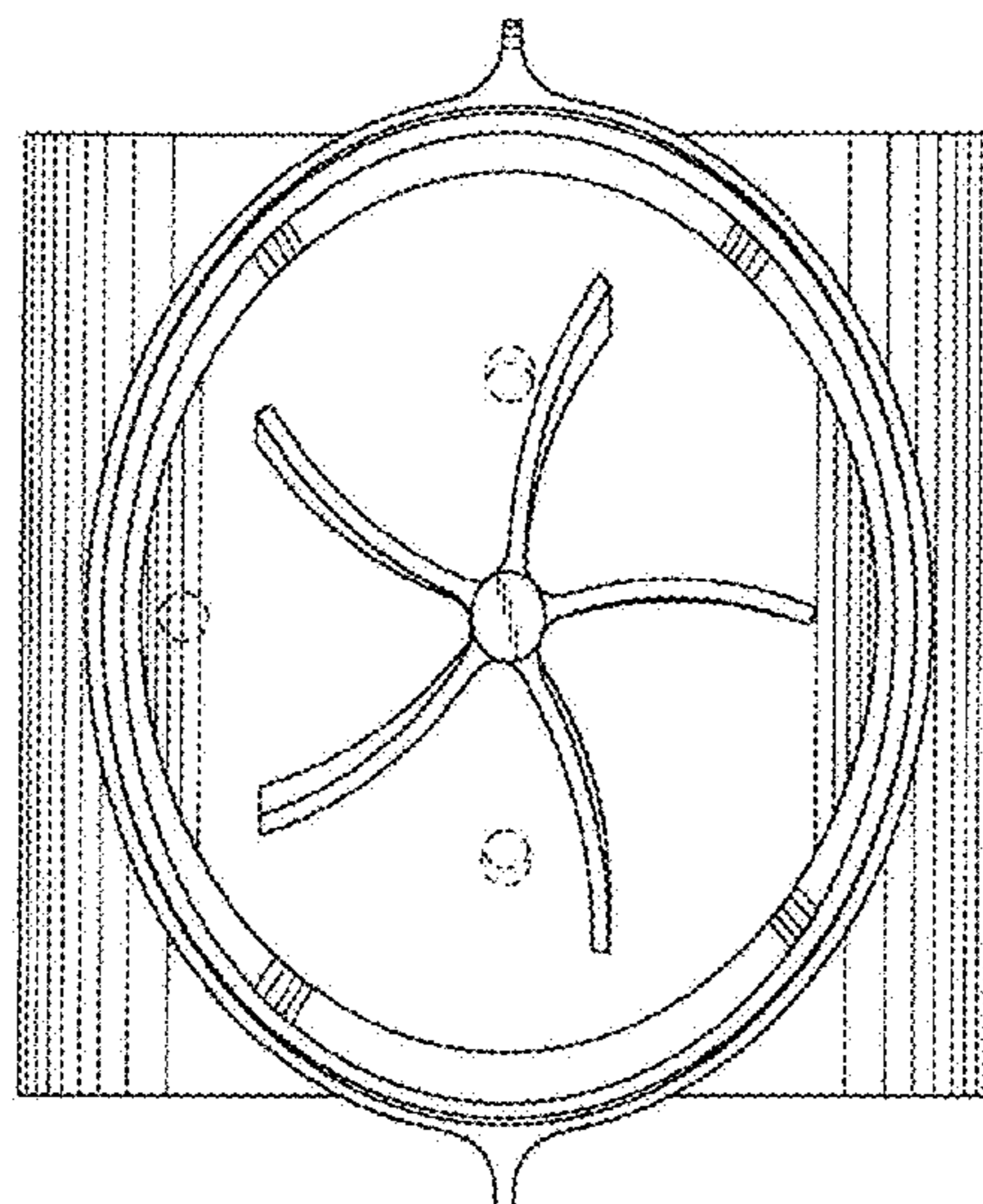
(Continued)

FOREIGN PATENT DOCUMENTS

DE 827183 C1 1/1952

(Continued)

1 Claim, 3 Drawing Sheets



US D630,040 S

Page 2

U.S. PATENT DOCUMENTS

2,999,314 A 9/1961 Reichlein
3,128,724 A * 4/1964 Linder 426/515
3,154,986 A 11/1964 Reid
3,225,718 A 12/1965 Page
3,279,927 A 10/1966 Reid
3,427,783 A 2/1969 Reid
3,595,111 A 7/1971 Hershberger
4,276,800 A * 7/1981 Koppa et al. 83/887
4,534,726 A 8/1985 Simelunas
4,543,053 A 9/1985 Jasniewski
4,578,027 A * 3/1986 Koppa et al. 425/298
4,608,918 A 9/1986 Funabashi et al.
4,671,759 A 6/1987 Hayashi et al.
4,808,104 A * 2/1989 D'Orlando 425/298
5,204,125 A 4/1993 Larsen
5,375,509 A 12/1994 Taylor et al.
5,388,489 A * 2/1995 Dayley 83/117
5,540,140 A 7/1996 Rubio et al.
5,601,012 A 2/1997 Ellner
5,622,742 A 4/1997 Carollo
5,687,638 A 11/1997 Makowecki
D391,125 S * 2/1998 Morales D7/676

6,562,389 B1 5/2003 Yusufi
6,851,192 B2 2/2005 So
6,902,754 B1 6/2005 Evans et al.
7,331,120 B2 2/2008 Scherb et al.
7,421,947 B2 9/2008 Bryan

FOREIGN PATENT DOCUMENTS

DE 3332061 A1 3/1985
DE 3410162 C1 3/1985
EP 0130772 A2 1/1985
EP 0841009 A2 5/1998
EP 0841009 A3 5/1998
FR 2195892 A5 3/1974
FR 2643229 A1 8/1990

OTHER PUBLICATIONS

Gemini Bakery Equipment Co., "We're with you from beginning to end", brochure, 2 pages.
Dodge, Vajra Equipment & Consulting, Inc., "Professional Machinery for Food Industry", brochure, 4 pages.
Rademaker B.V., "Make Up Lines the most Versatile Approach", booklet, 26 pages.

* cited by examiner

FIG. 1

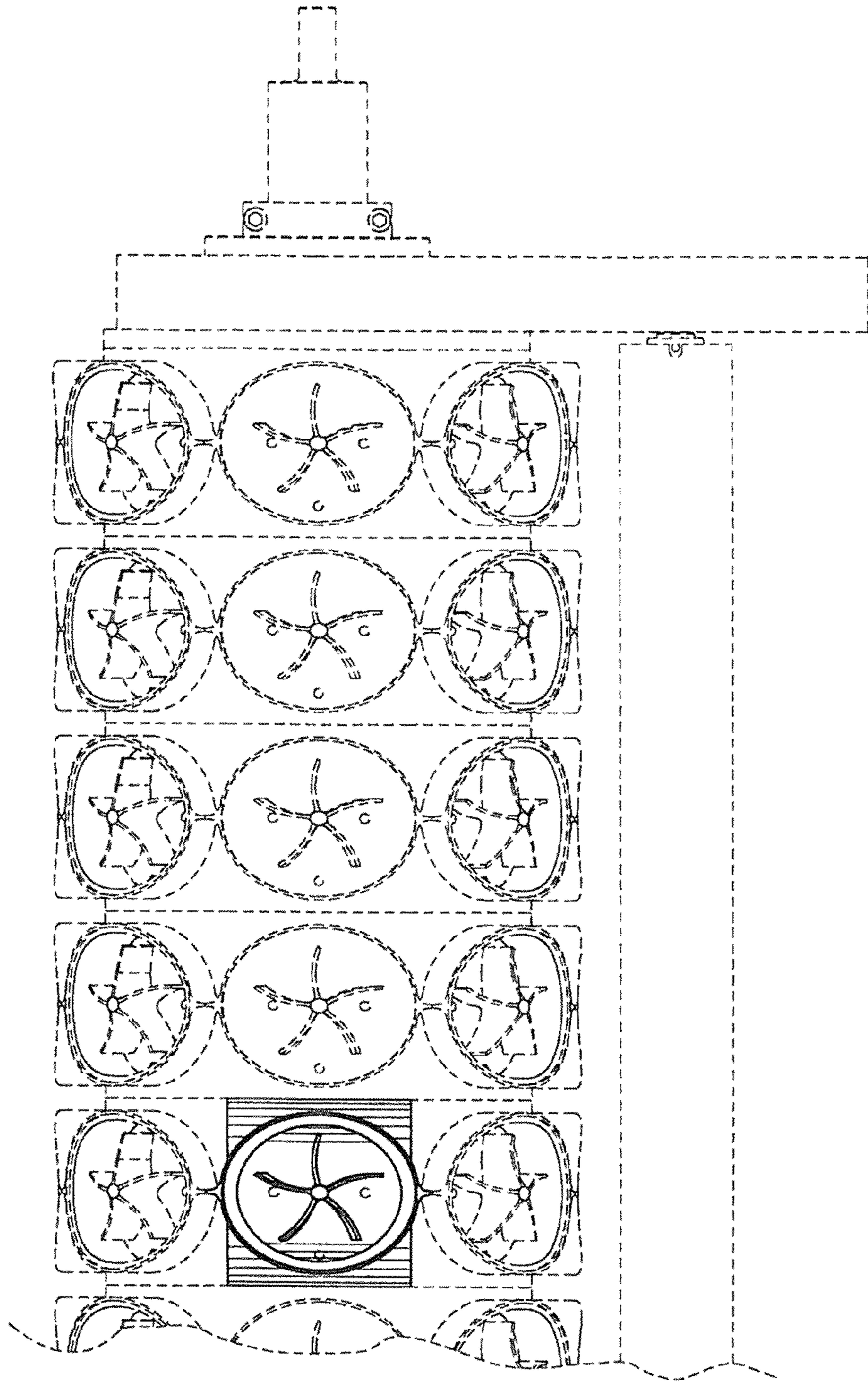


FIG. 2

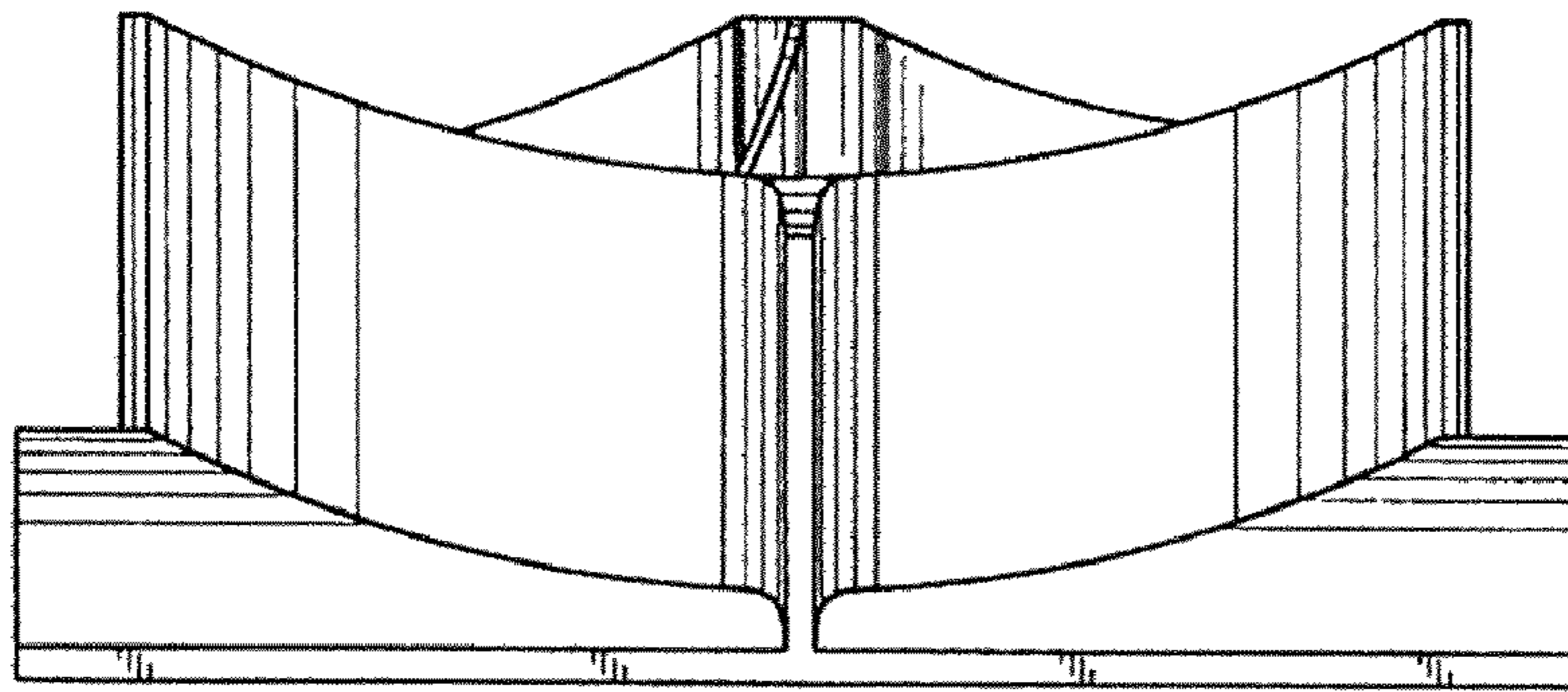


FIG. 3

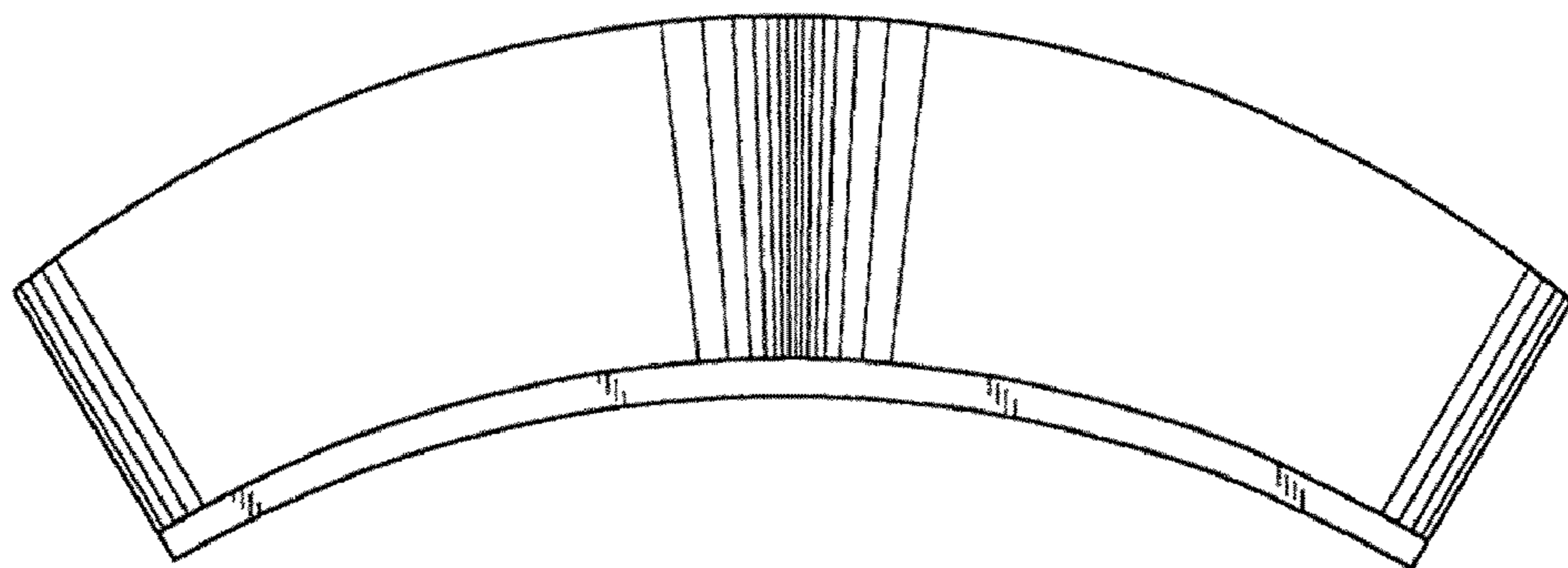


FIG. 5

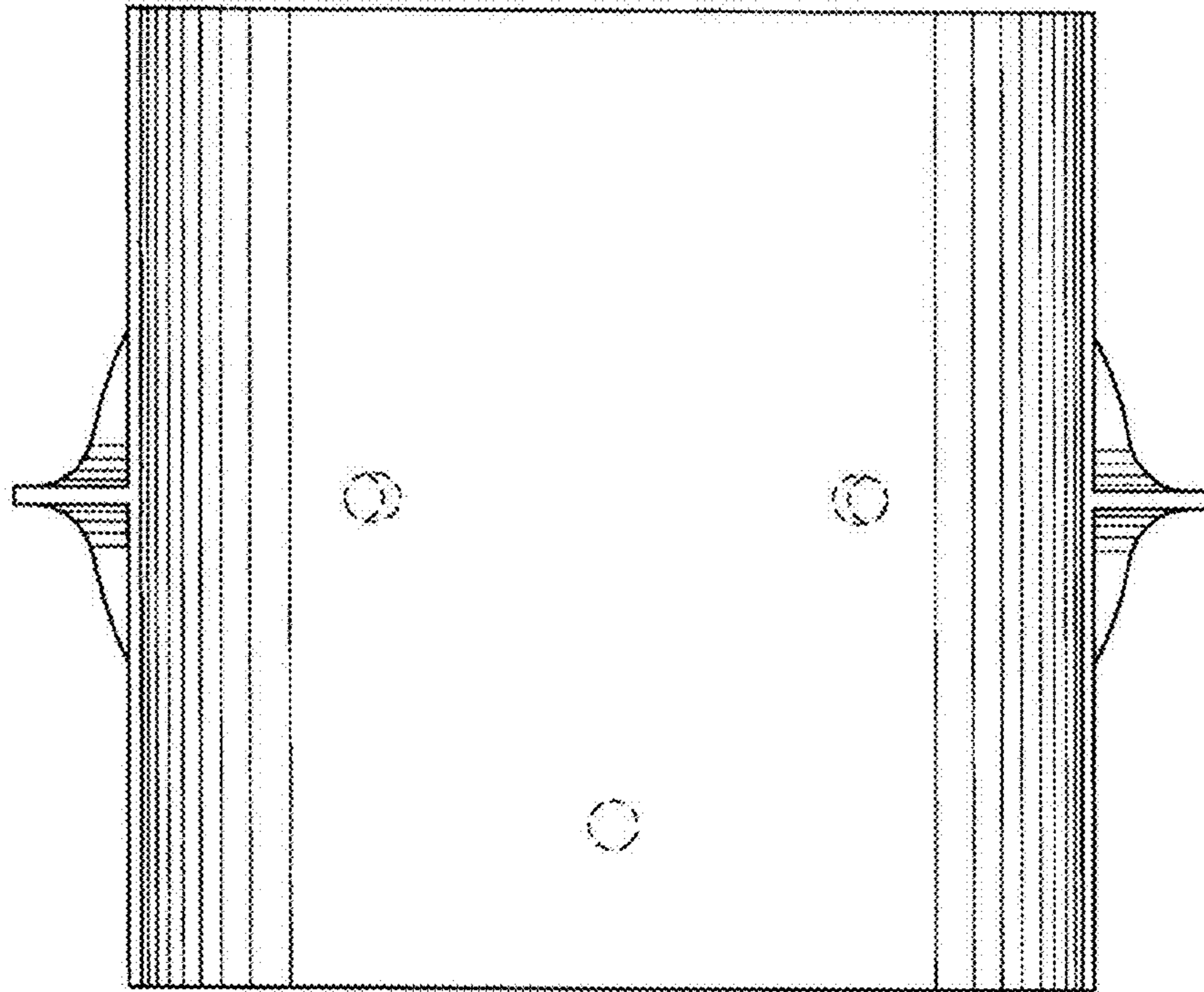


FIG. 4

