



US00D630039S

(12) **United States Design Patent**
Lin

(10) **Patent No.:** **US D630,039 S**

(45) **Date of Patent:** **** Jan. 4, 2011**

(54) **COFFEE MAKER**

(75) Inventor: **Hsueh-Yu Lin**, Taichung (TW)

(73) Assignee: **Rebecca Lin International Corp.**,
Taichung (TW)

(**) Term: **14 Years**

(21) Appl. No.: **29/341,053**

(22) Filed: **Jul. 29, 2009**

(51) **LOC (9) Cl.** **07-01**

(52) **U.S. Cl.** **D7/309; D7/311**

(58) **Field of Classification Search** D7/309-311,
D7/306-308; 99/280, 283, 306

See application file for complete search history.

(56) **References Cited**

U.S. PATENT DOCUMENTS

D209,125	S	*	10/1967	Martin	D7/309
D209,126	S	*	10/1967	Martin	D7/309
D239,758	S	*	5/1976	Claxton	D7/309
D245,163	S	*	7/1977	George	D7/309
4,218,965	A	*	8/1980	Petry	99/283
4,464,981	A	*	8/1984	Stover	99/280
4,917,005	A	*	4/1990	Knepler	99/280
D317,546	S	*	6/1991	Rakocy et al.	D7/309
D408,206	S	*	4/1999	Stafford et al.	D7/306
D454,023	S	*	3/2002	Wang	D7/309
D457,375	S	*	5/2002	Picozza et al.	D7/309

D481,902	S	*	11/2003	O'Connor et al.	D7/309
D497,278	S	*	10/2004	Picozza et al.	D7/309
D498,110	S	*	11/2004	Picozza et al.	D7/309
D530,969	S	*	10/2006	Lin	D7/309
D553,416	S	*	10/2007	Lin	D7/309
D584,098	S	*	1/2009	Webster et al.	D7/309
D604,551	S	*	11/2009	Roncali	D7/306

* cited by examiner

Primary Examiner—Marianne Pandozzi

(74) *Attorney, Agent, or Firm*—Apex Juris, PLLC; Tracy M Heims

(57) **CLAIM**

The ornamental design for a coffee maker, as shown and described.

DESCRIPTION

FIG. 1 is a perspective view of a coffee maker showing my new design;

FIG. 2 shows a right view thereof;

FIG. 3 shows a top view thereof;

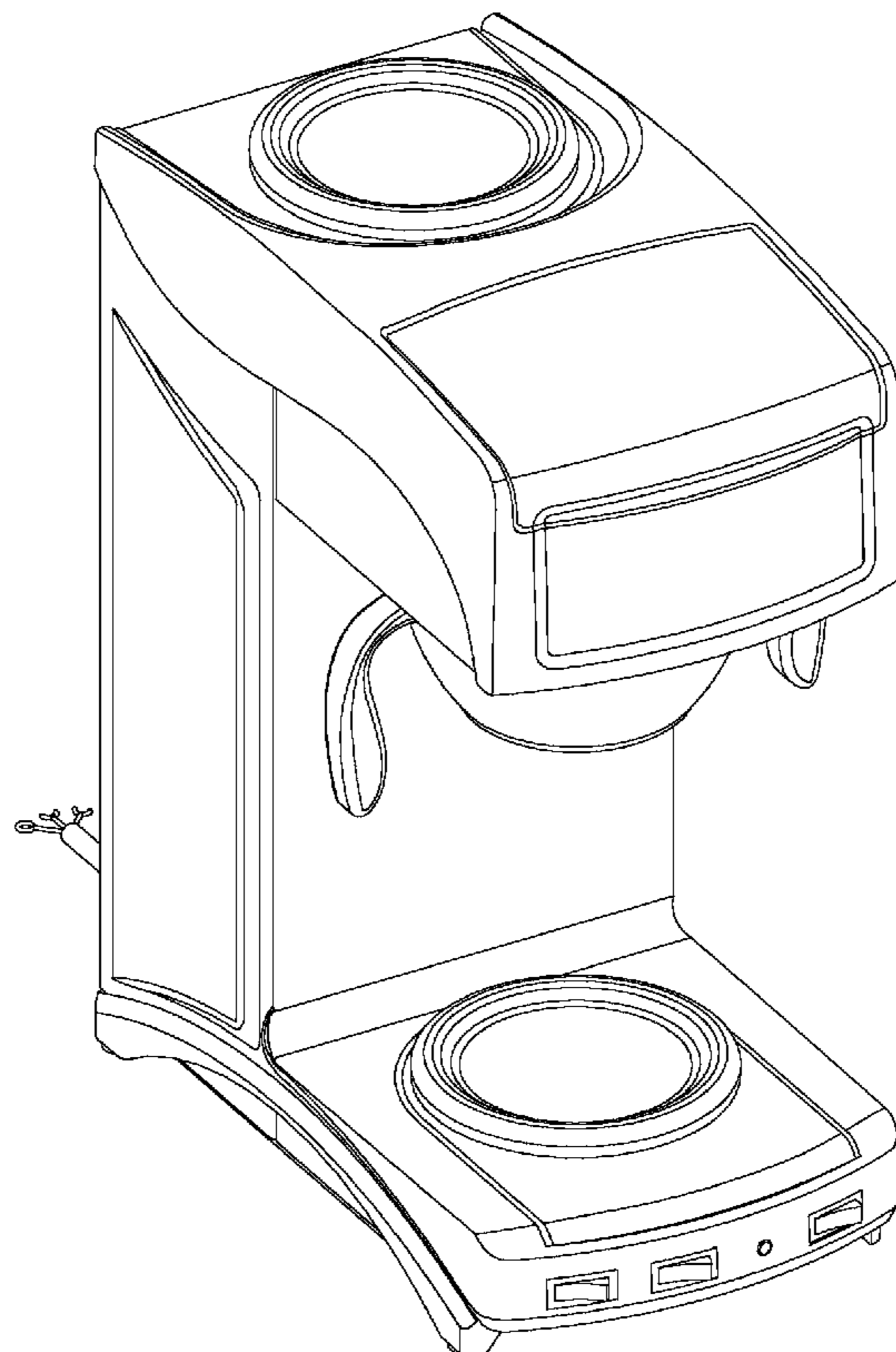
FIG. 4 shows a front view thereof;

FIG. 5 shows a bottom view thereof;

FIG. 6 shows a left view thereof; and,

FIG. 7 shows a rear view thereof.

1 Claim, 7 Drawing Sheets



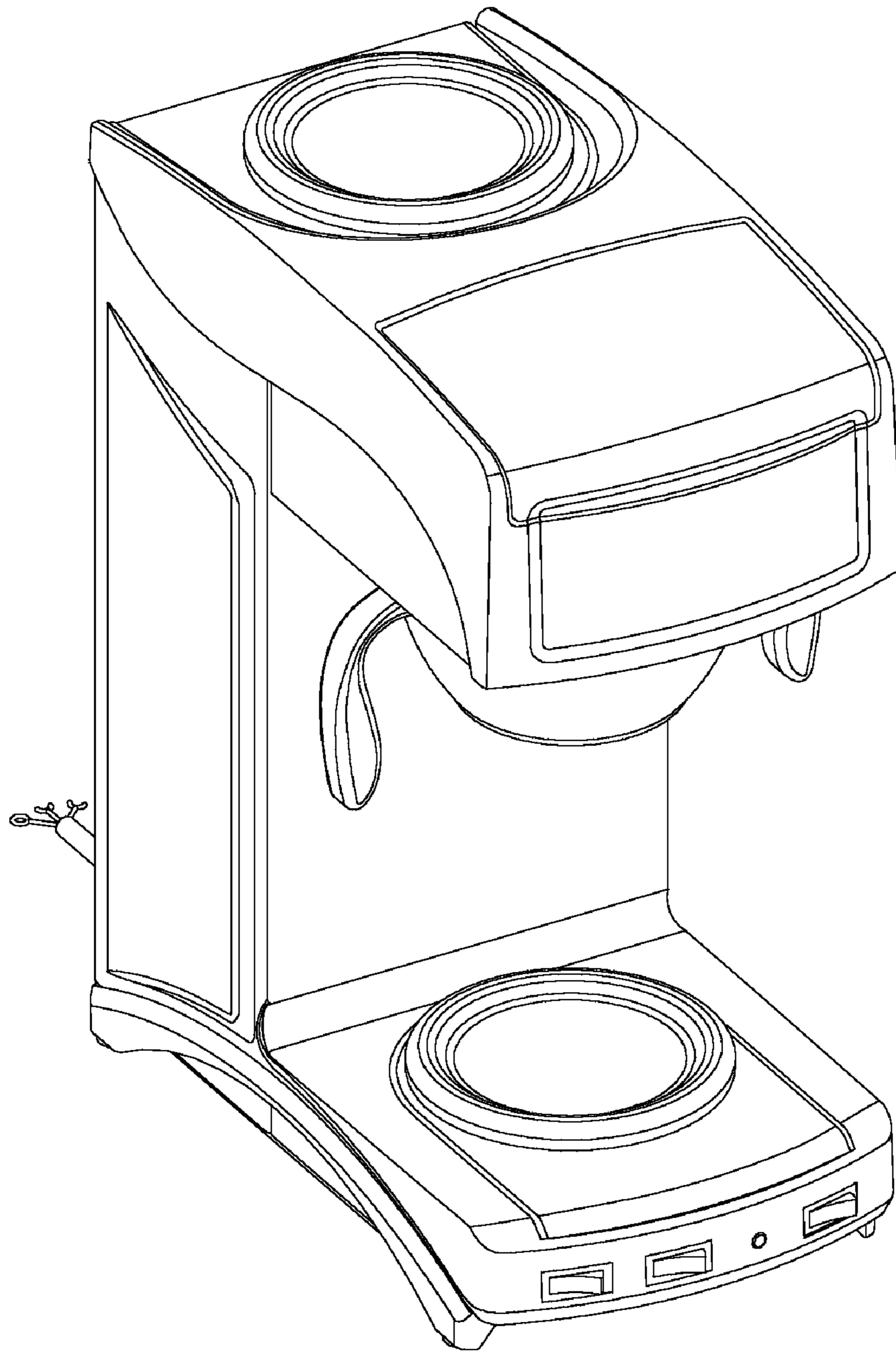


Fig.1

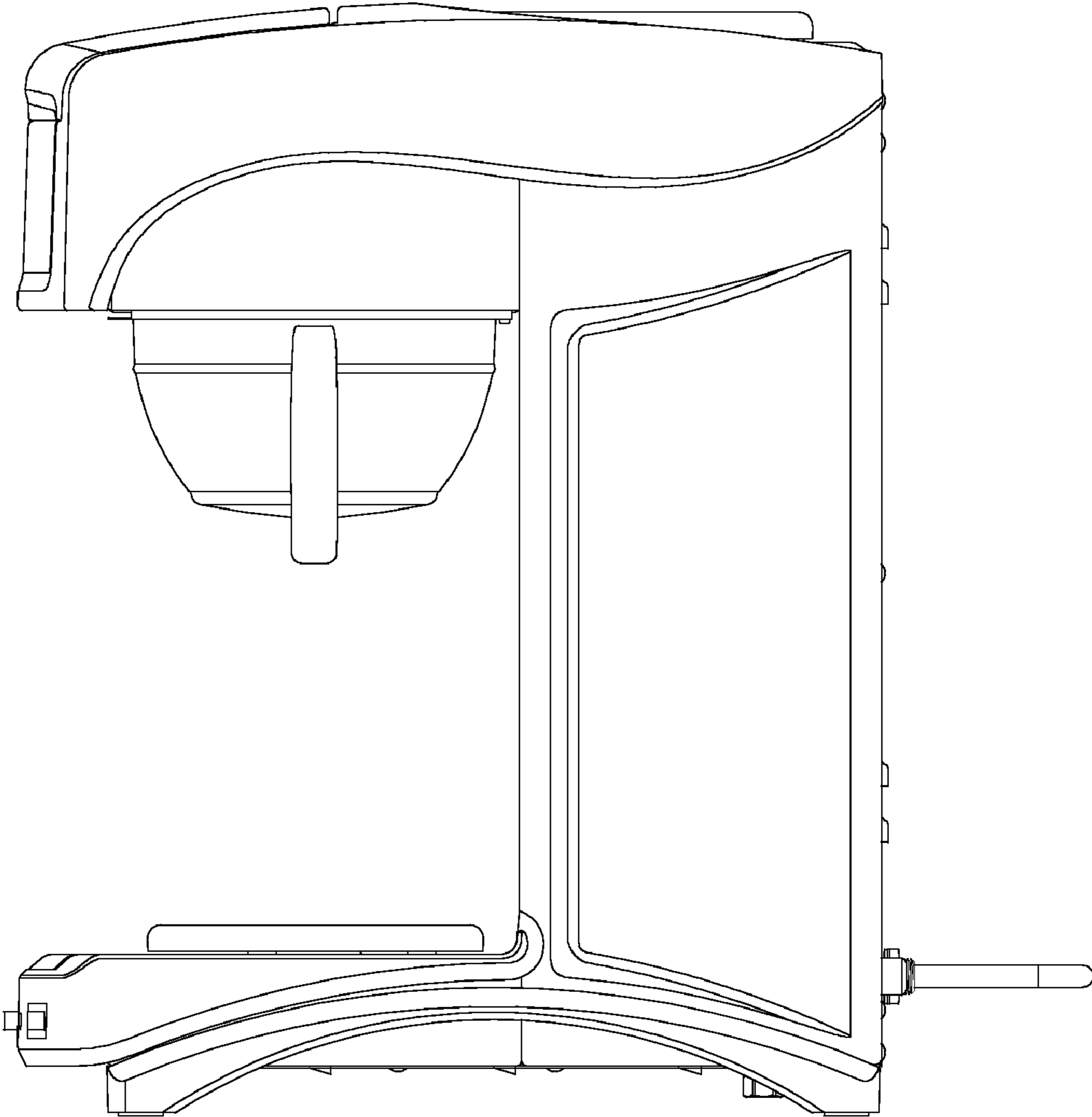


Fig.2

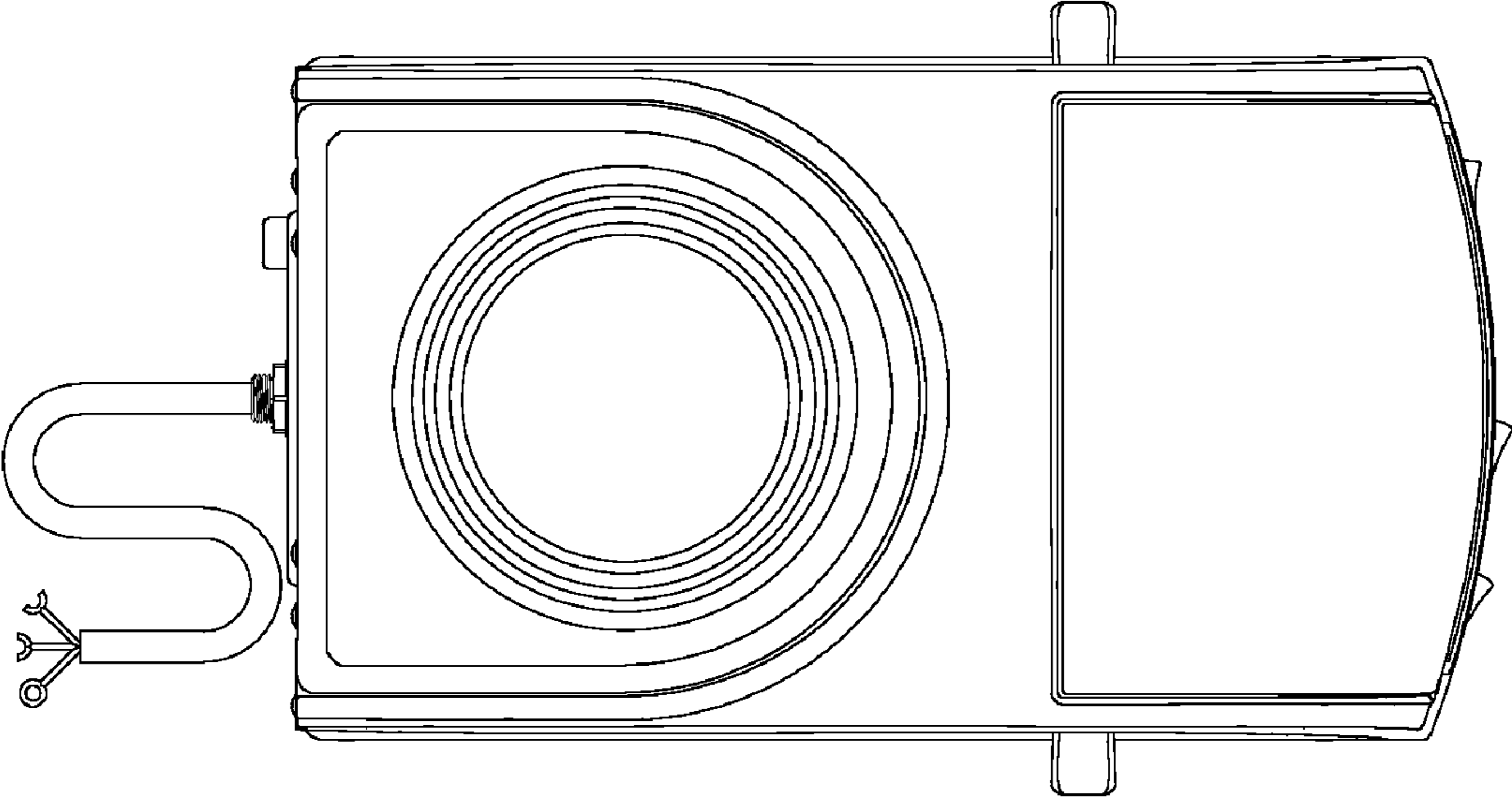


Fig.3

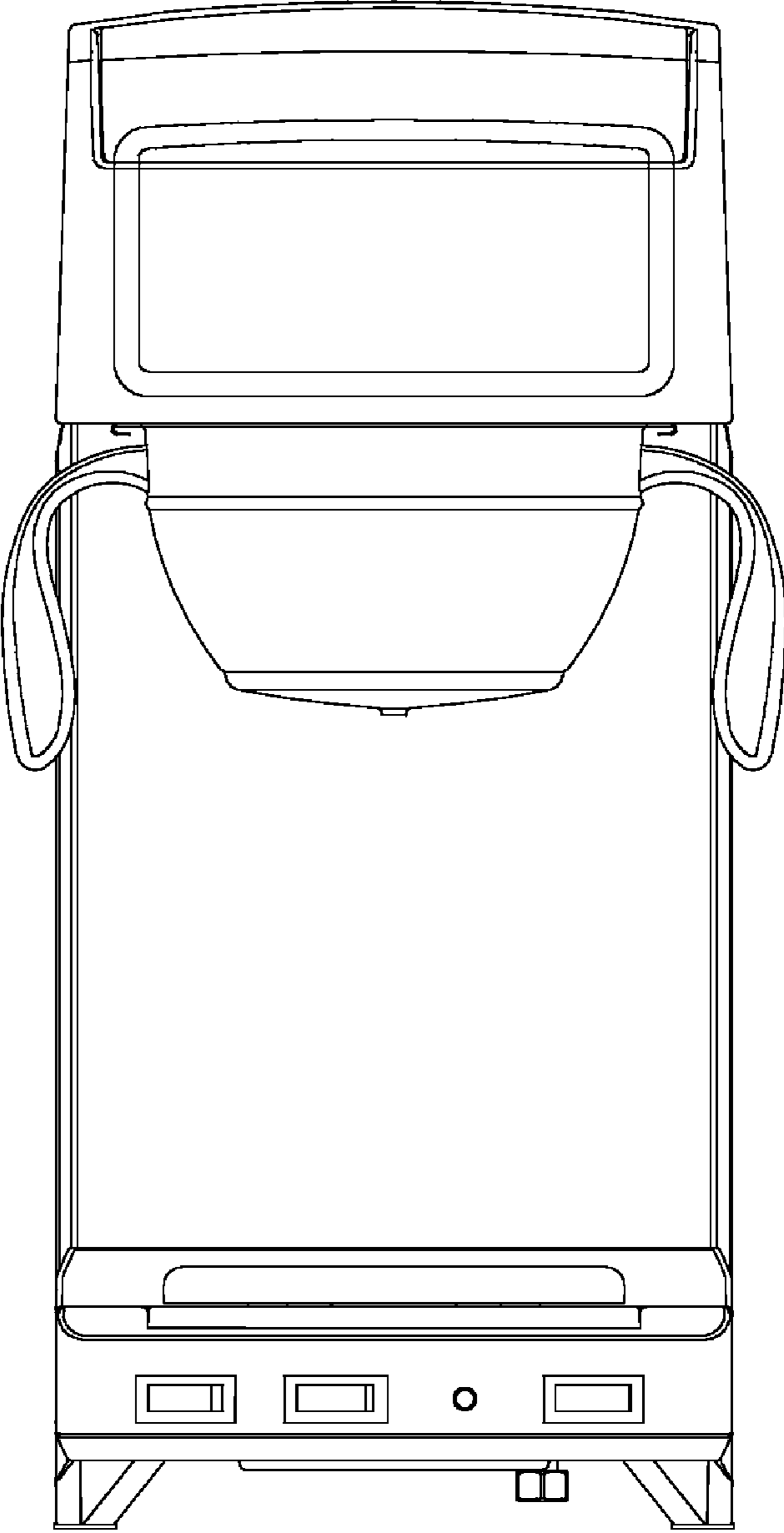


Fig.4

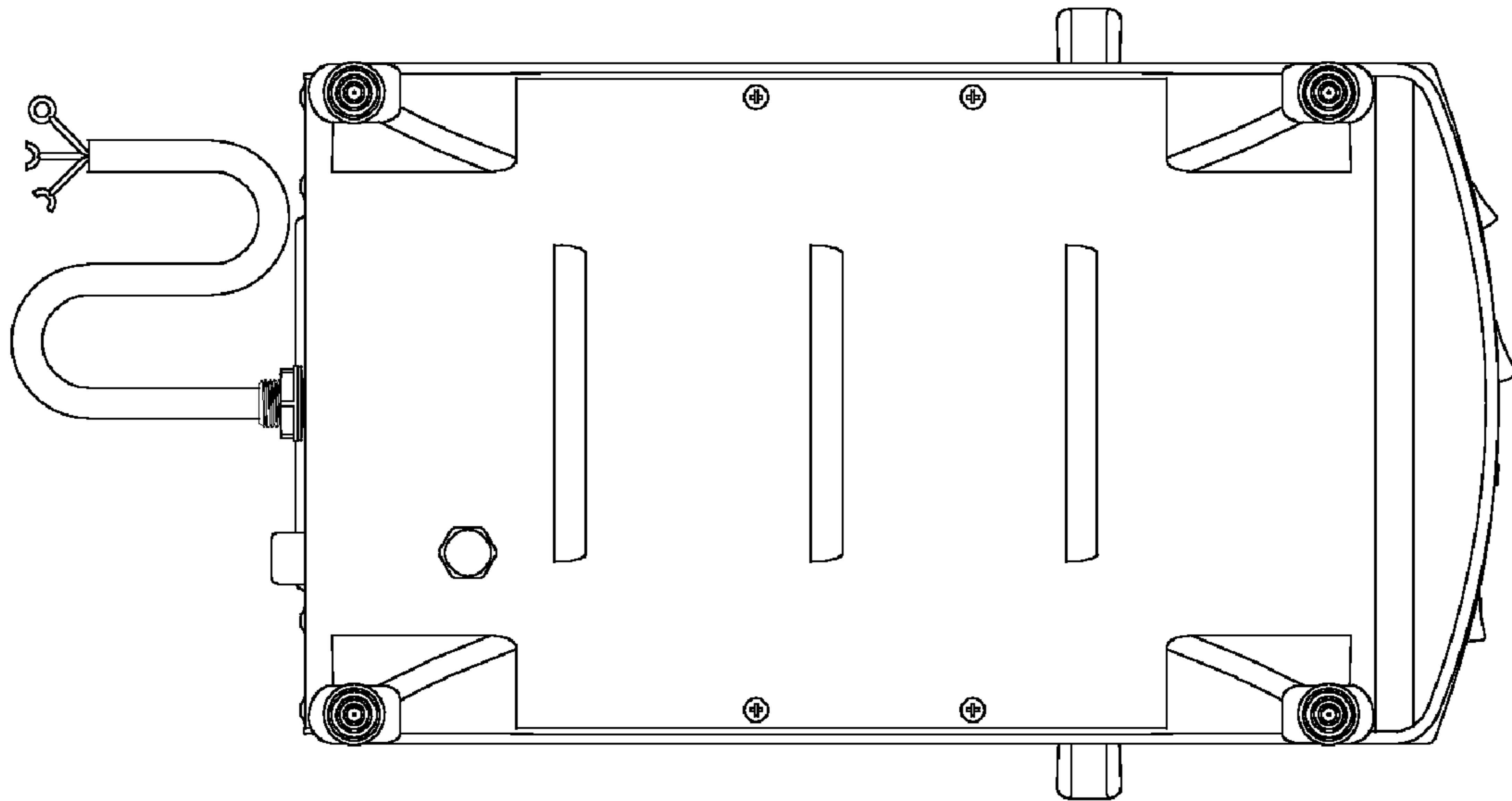


Fig.5

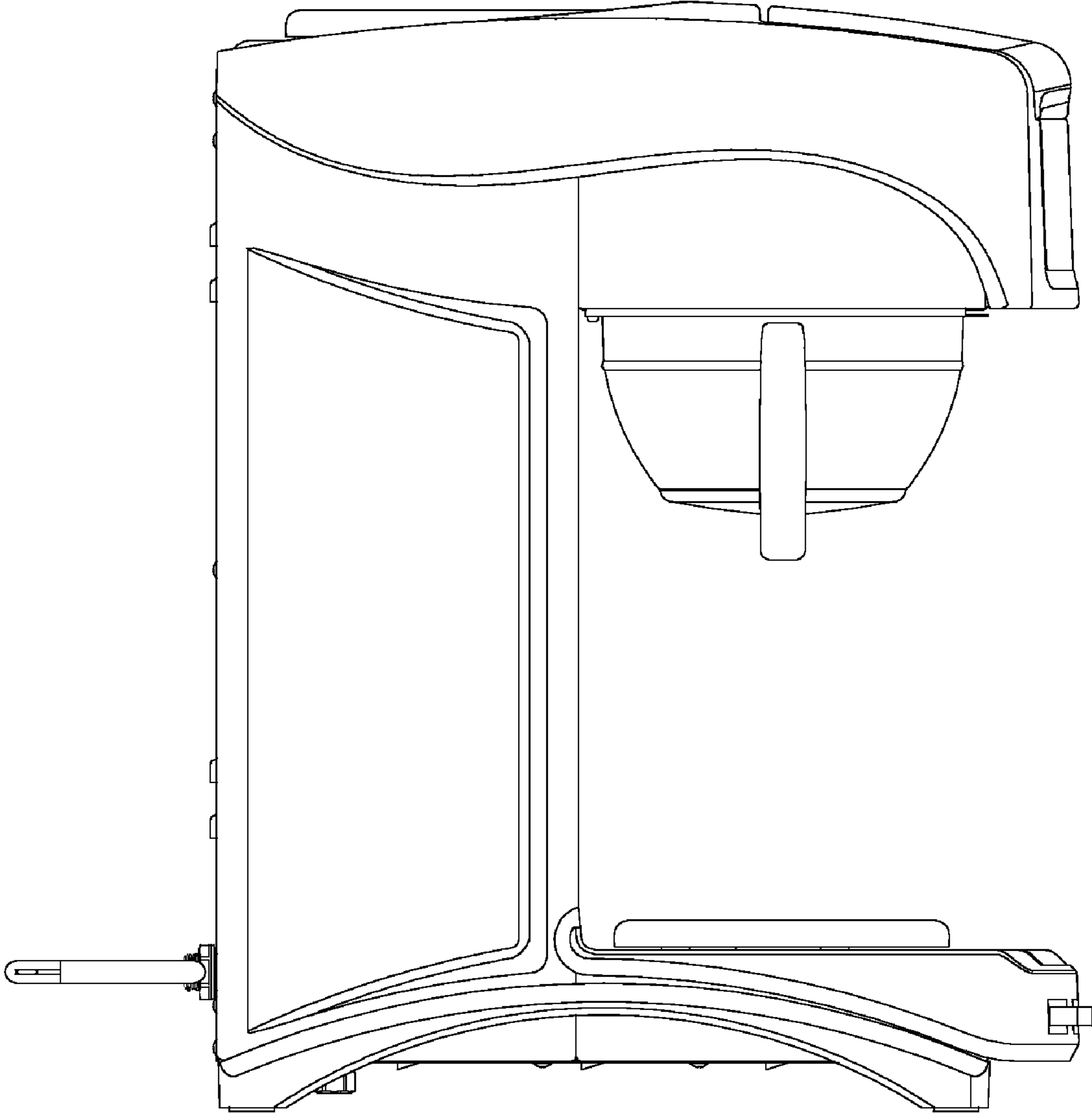


Fig.6

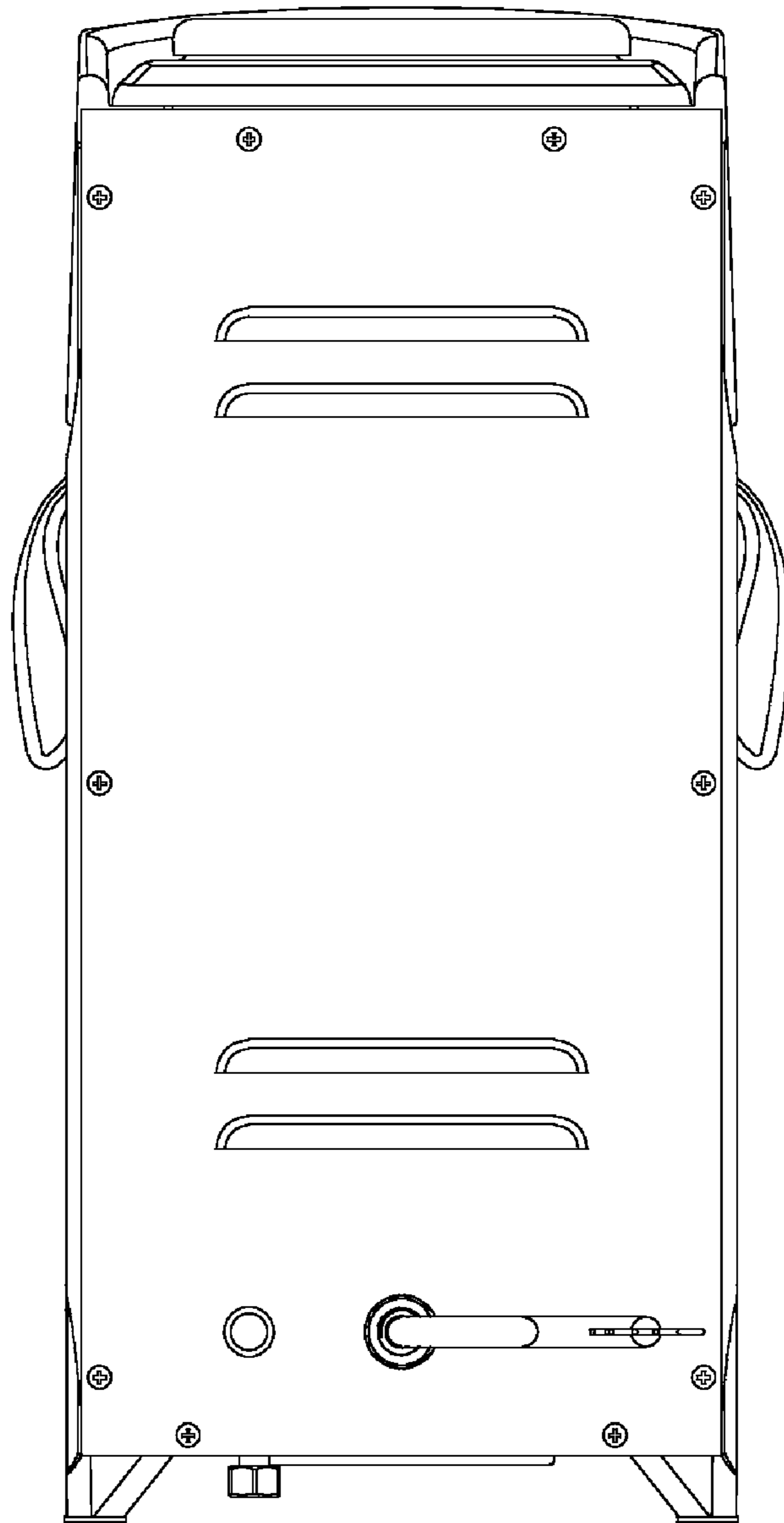


Fig.7