



US00D630037S

(12) **United States Design Patent**
Kauer

(10) **Patent No.:** **US D630,037 S**
(45) **Date of Patent:** **** Jan. 4, 2011**

(54) **DRINK MIXER**

(76) Inventor: **Frank Kauer**, 21/F 74 Hunlto Road,
Kwun Tong (HK)

(**) Term: **14 Years**

(21) Appl. No.: **29/353,231**

(22) Filed: **Jan. 5, 2010**

(30) **Foreign Application Priority Data**

Oct. 3, 2009 (DE) 40 2009 005 866

(51) **LOC (9) Cl.** **07-01**

(52) **U.S. Cl.** **D7/300.1; D7/300; D7/510;**
D7/312; D7/306

(58) **Field of Classification Search** **D7/379,**
D7/300, 300.1, 306, 313, 312, 510, 511;
220/568; 366/206

See application file for complete search history.

(56) **References Cited**

U.S. PATENT DOCUMENTS

- 1,042,751 A * 10/1912 Barker 220/568
- 1,750,334 A * 3/1930 Stern 220/568
- 2,013,615 A * 9/1935 Fontan 220/568
- 2,270,480 A * 1/1942 Seyfried 416/235
- D156,679 S * 12/1949 Smith D7/379
- 2,498,570 A * 2/1950 Myers 366/206
- 2,654,847 A * 10/1953 Arthur 310/68 B
- D221,791 S * 9/1971 Chi D7/313

- D480,590 S * 10/2003 Linz et al. D7/300.1
- D608,141 S * 1/2010 Sanders D7/398
- 7,686,501 B2 * 3/2010 Bruce 366/130

* cited by examiner

Primary Examiner—Marianne Pandozzi

(74) *Attorney, Agent, or Firm*—Henry B. Ward, III; Moore &
Van Allen, PLLC

(57) **CLAIM**

The ornamental design for a drink mixer, as shown and described.

DESCRIPTION

FIG. 1 is a front, top and right-side-perspective view of a first embodiment of a drink mixer;

FIG. 2 is a rear, top and left-side perspective view thereof;

FIG. 3 is a front-elevational view thereof;

FIG. 4 is a rear-elevational view thereof;

FIG. 5 is a right side-elevational view thereof;

FIG. 6 is a left-side-elevational view thereof;

FIG. 7 is a top-plan view thereof; and,

FIG. 8 is a bottom-plan view thereof.

The surface shading, if any, illustrated in the drawings is provided merely to highlight the contour of the design; it is not intended to be illustrative of texture or gloss.

1 Claim, 7 Drawing Sheets

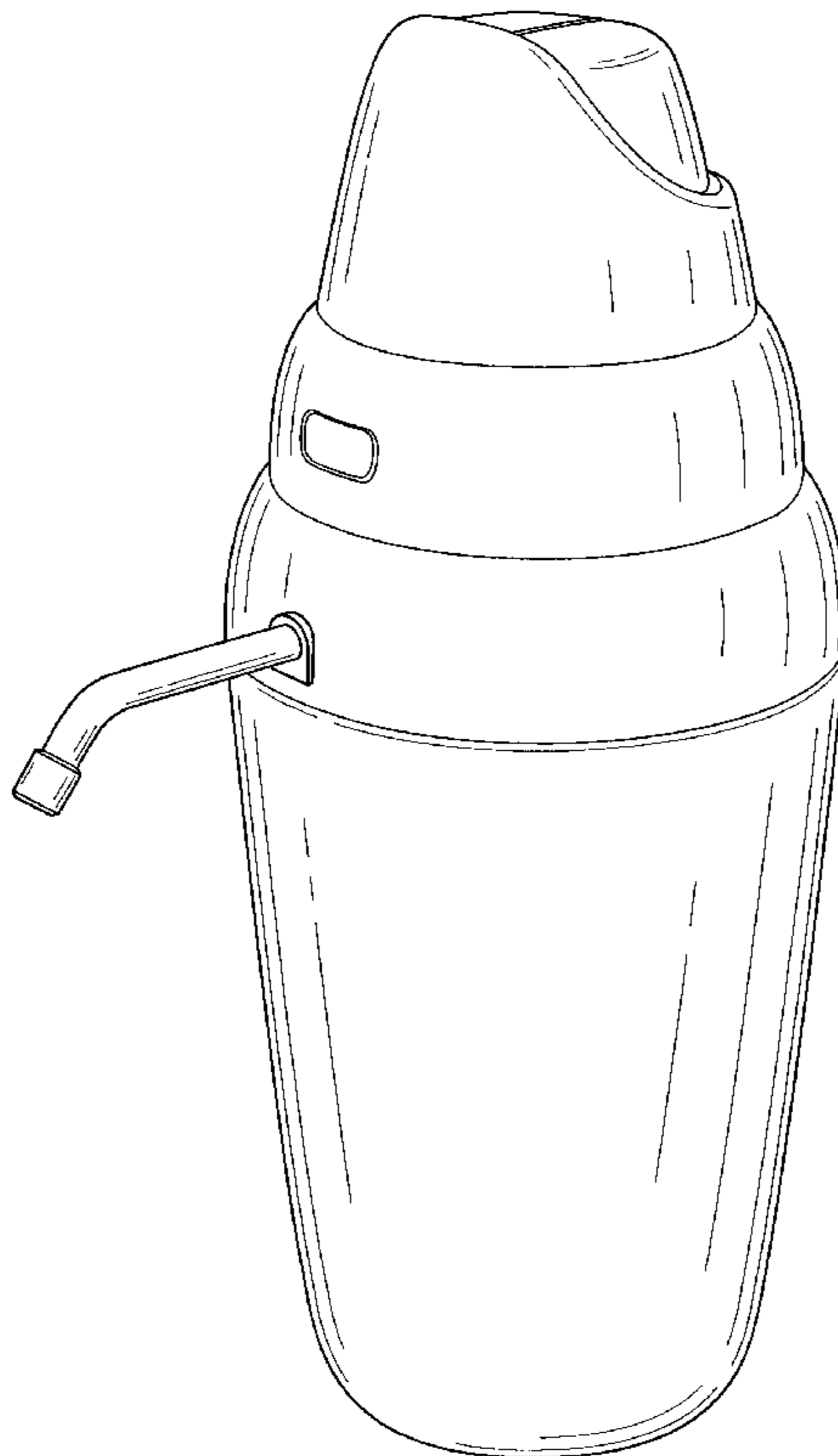




FIG. 1



FIG. 2

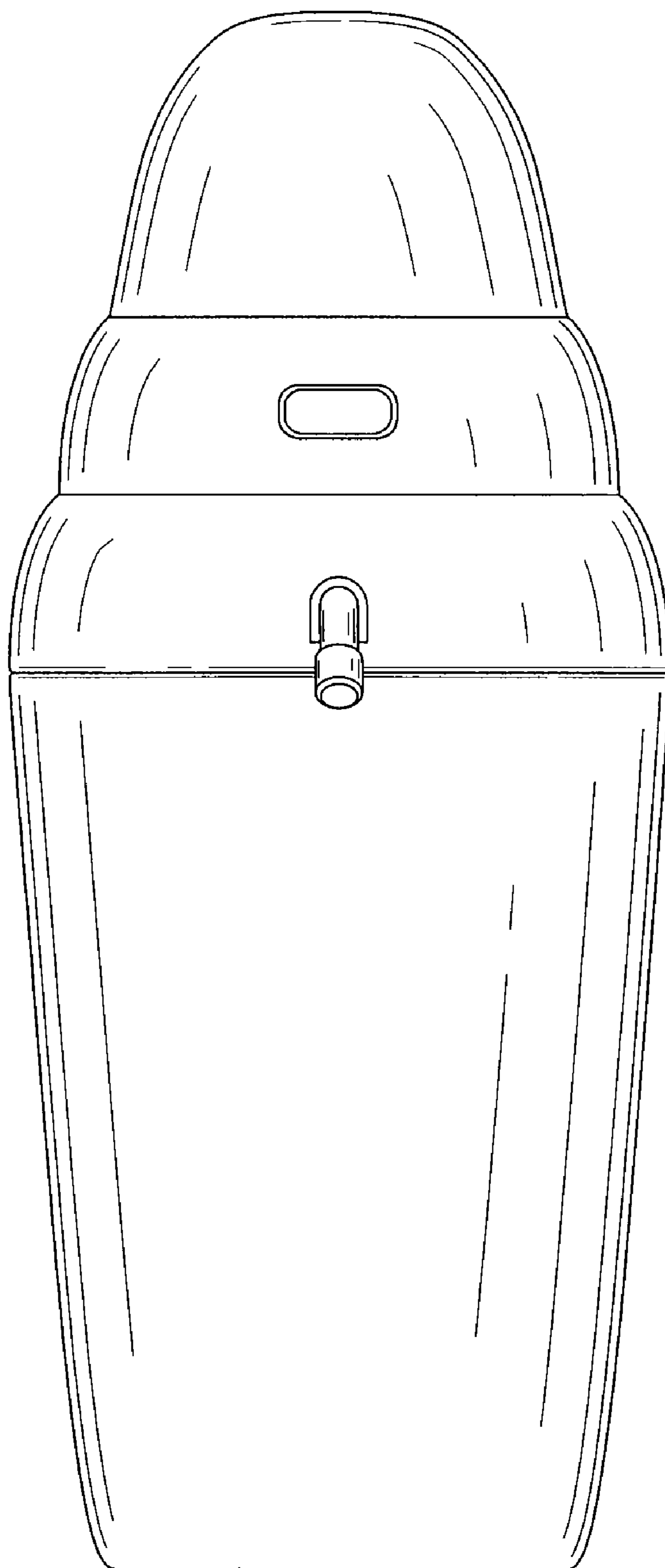


FIG. 3

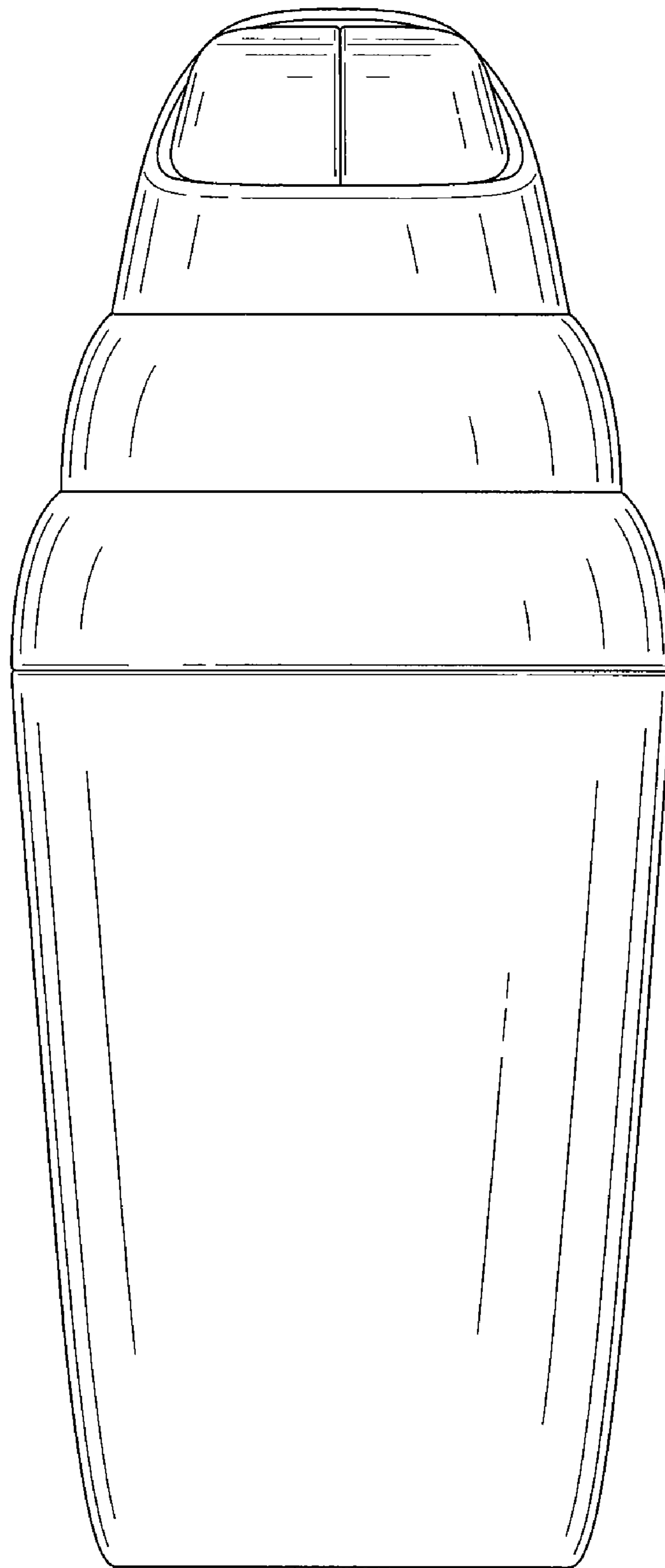


FIG. 4

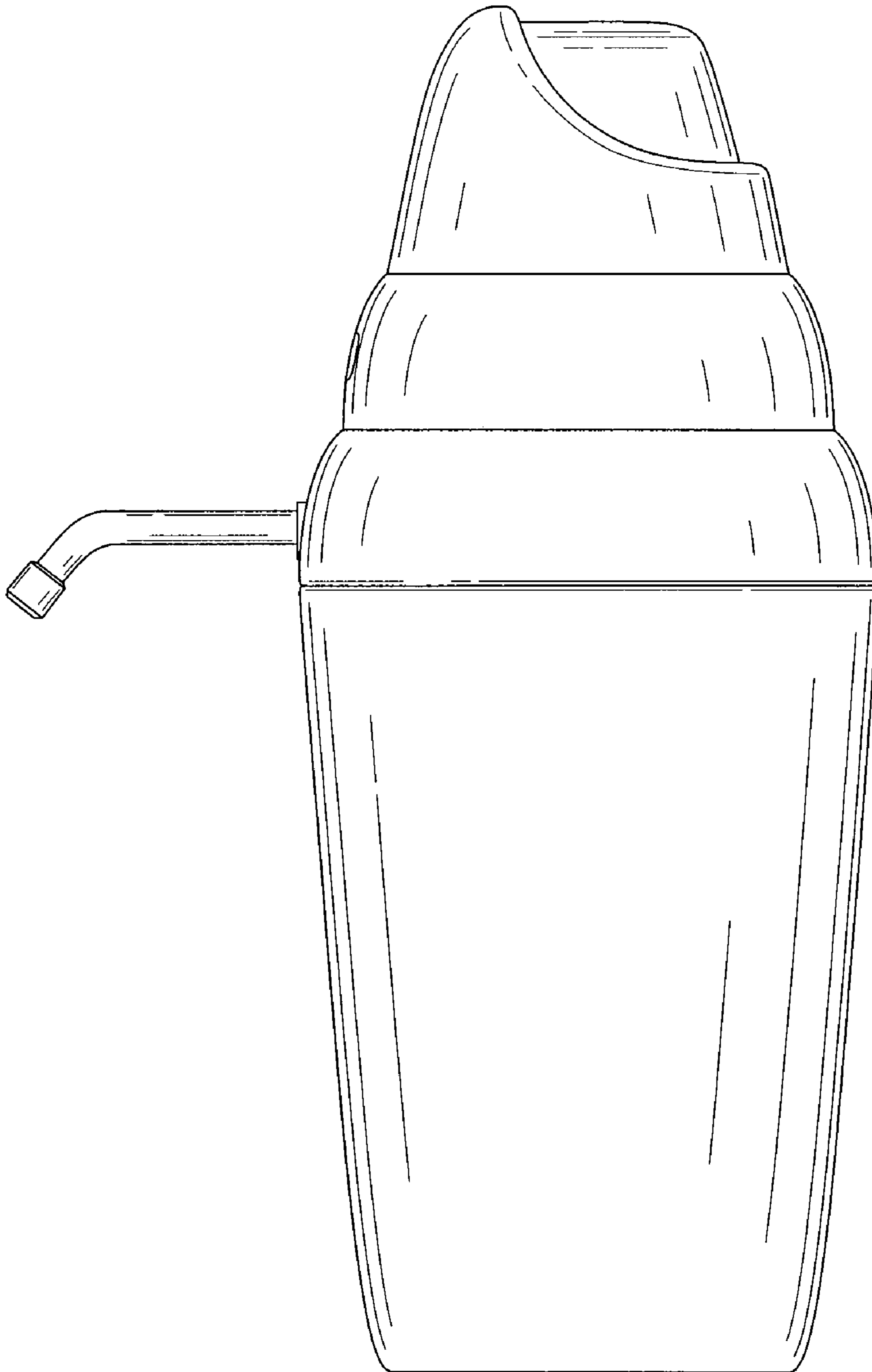


FIG. 5

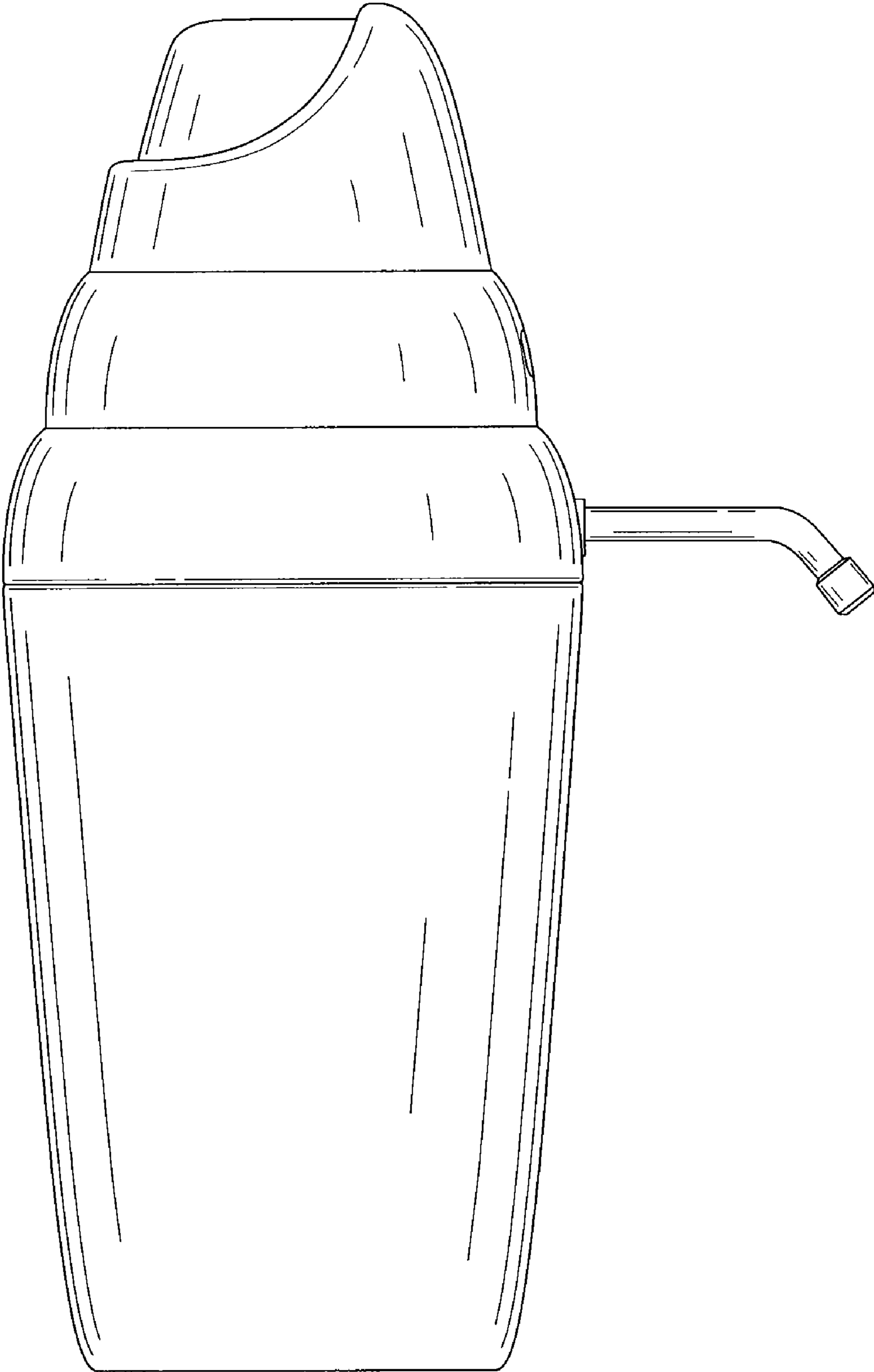


FIG. 6

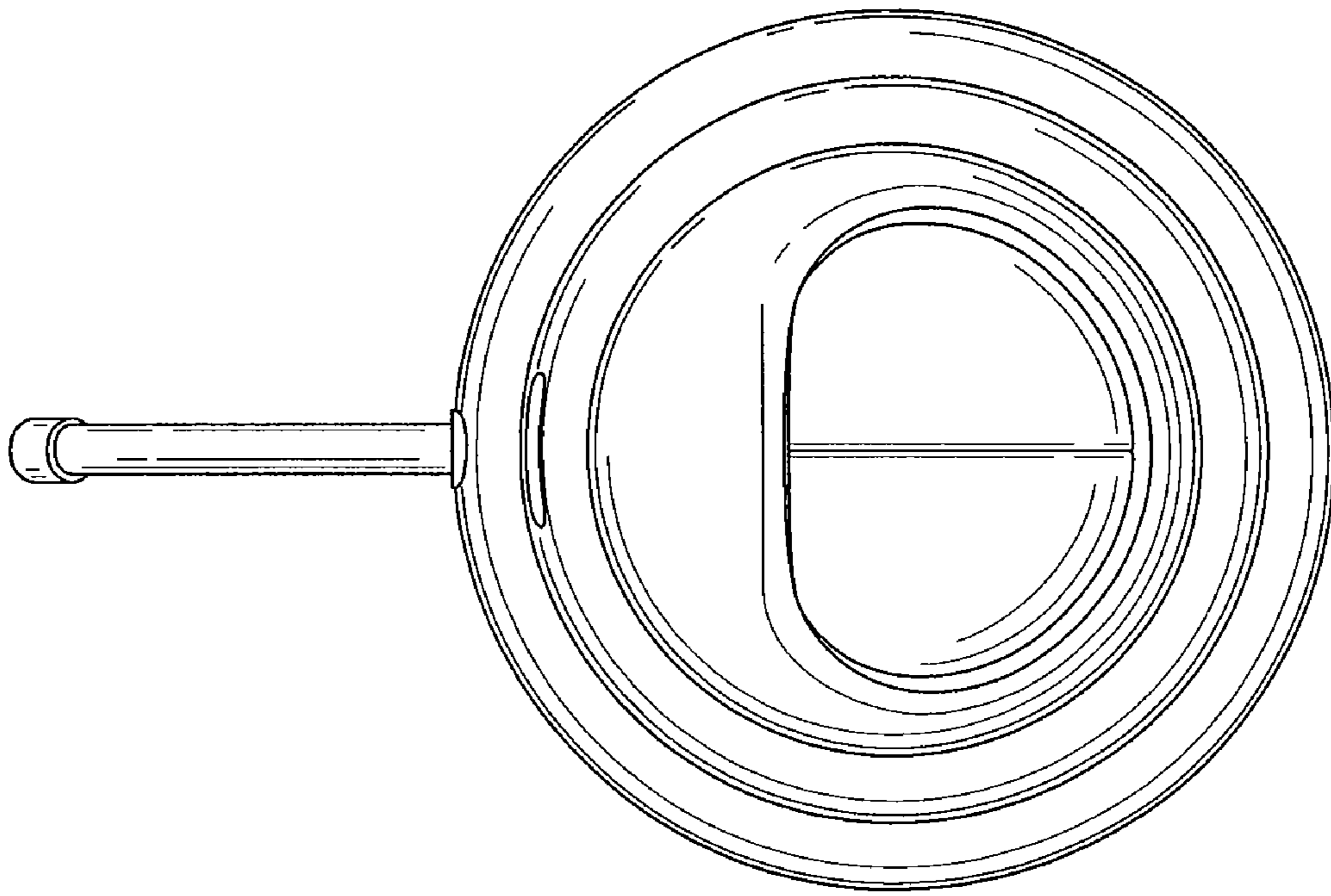


FIG. 7

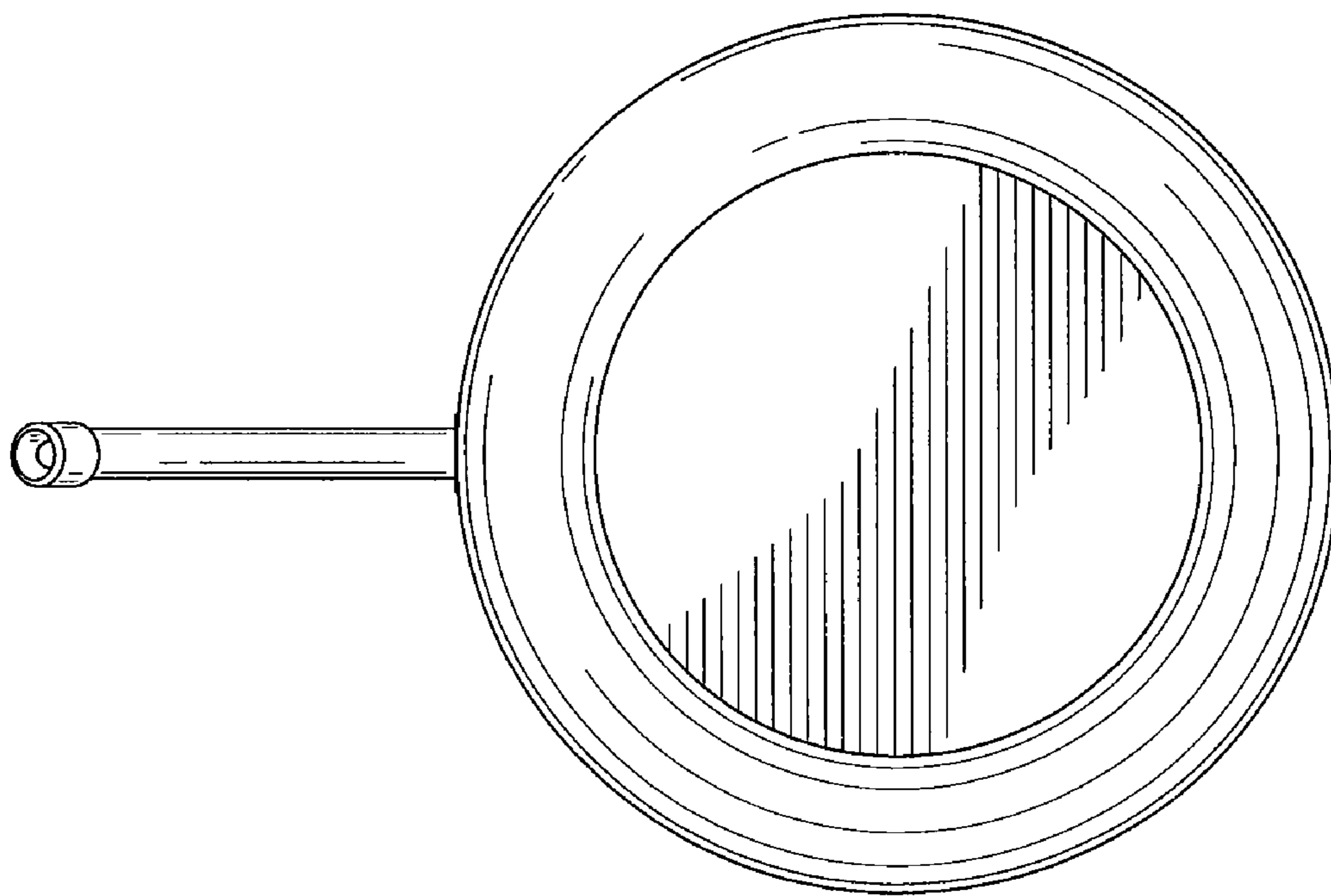


FIG. 8