



US00D630033S

(12) **United States Design Patent**
Snider

(10) **Patent No.:** **US D630,033 S**
(45) **Date of Patent:** **** Jan. 4, 2011**

(54) **HAIRDRYER HOLDER**

D616,680 S * 6/2010 Snider D6/513

(75) Inventor: **Martin Snider**, New City, NY (US)

* cited by examiner

(73) Assignee: **MSA Products, Inc.**, Nyack, NY (US)

Primary Examiner—Brian N Vinson
(74) *Attorney, Agent, or Firm*—Gerald E. Hespos; Michael J. Porco

(**) Term: **14 Years**

(21) Appl. No.: **29/361,002**

(57) **CLAIM**

(22) Filed: **May 4, 2010**

The ornamental design of a hairdryer holder, as shown and described.

(51) **LOC (9) Cl.** **06-06**

(52) **U.S. Cl.** **D6/513; D6/566**

(58) **Field of Classification Search** D3/304,
D3/306; 206/202, 513, 557; 211/13.1, 41.3,
211/41.4, 86.01, 88.01, 134, 126.1, 181.1;
248/302; 220/485, 488; D6/512–514, 524–525,
D6/566

See application file for complete search history.

DESCRIPTION

FIG. 1 is a perspective view of a hairdryer holder in accordance with my design;

FIG. 2 is a top plan view thereof;

FIG. 3 is a front elevational view thereof;

FIG. 4 is a side elevational viewed from the right side of FIG. 1 thereof;

FIG. 5 is a side elevational view viewed from the left side of FIG. 1 thereof;

FIG. 6 is a rear elevational view thereof; and,

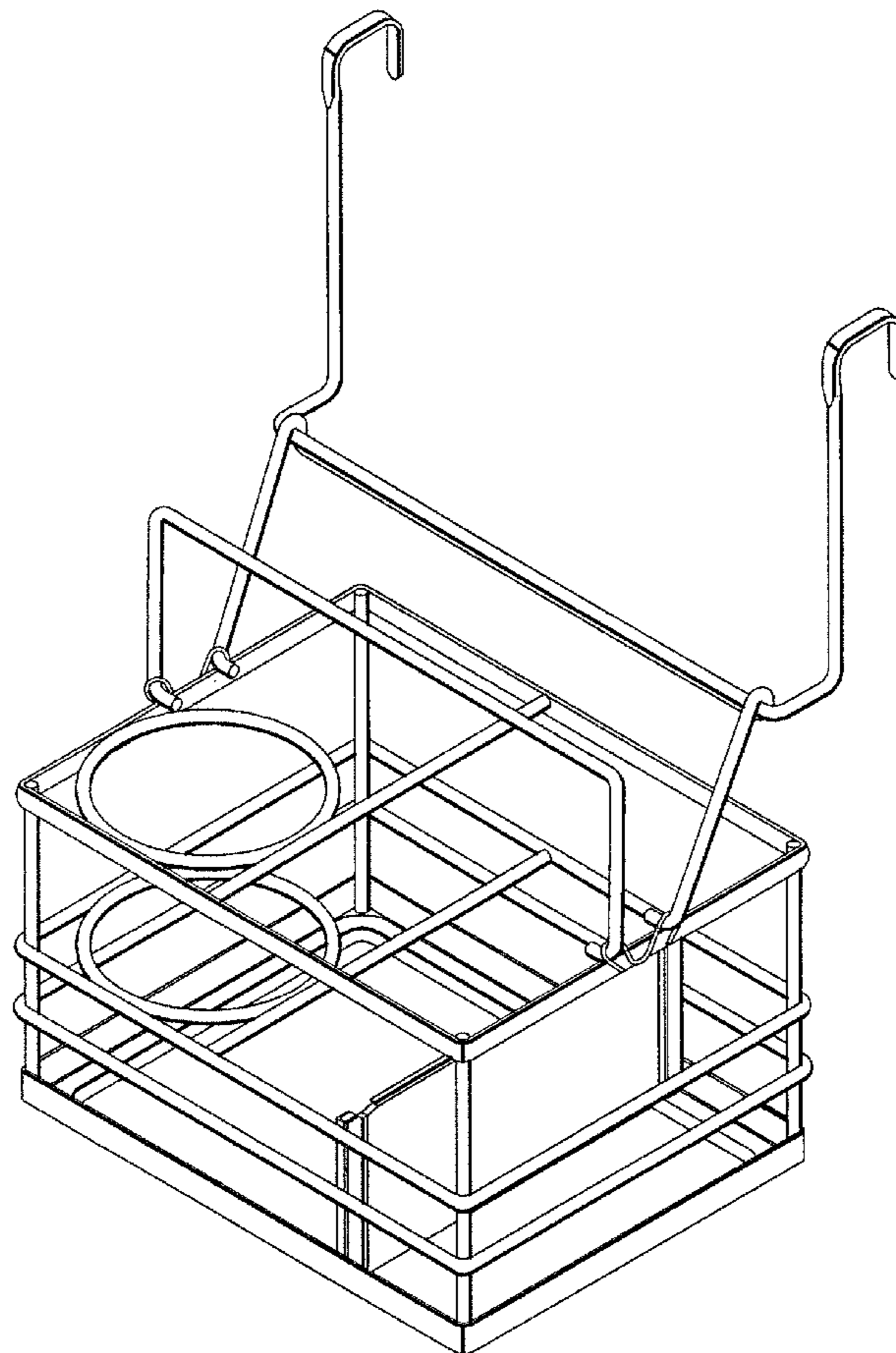
FIG. 7 is a bottom plan view thereof.

(56) **References Cited**

U.S. PATENT DOCUMENTS

D400,037 S *	10/1998	Bartholow	D6/566
D454,460 S *	3/2002	Davies	D6/566
D497,688 S *	10/2004	Issa	D6/566
D574,647 S *	8/2008	Snider	D6/513
D612,648 S *	3/2010	Guindi	D6/566

1 Claim, 7 Drawing Sheets



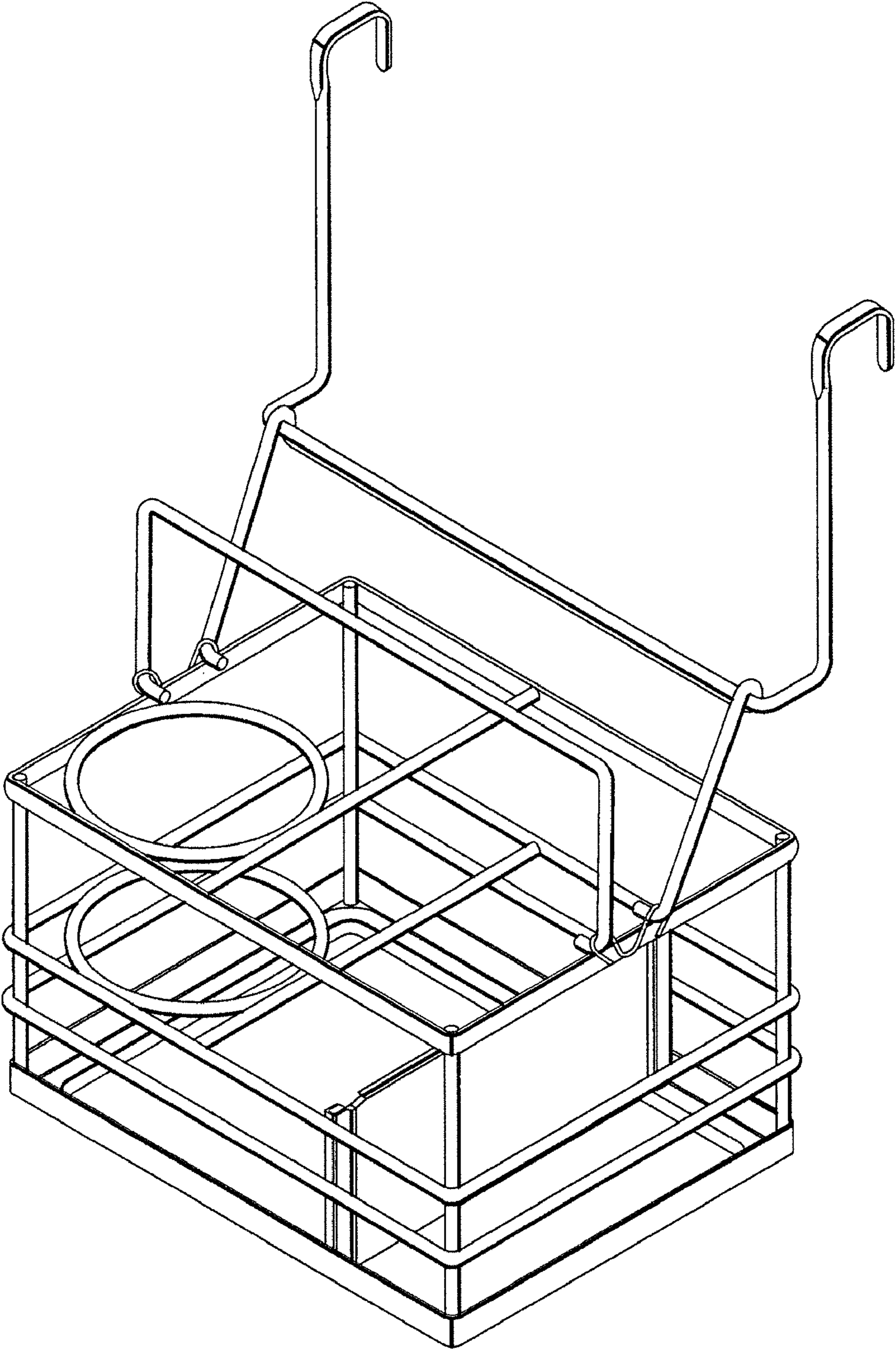


FIG. 1

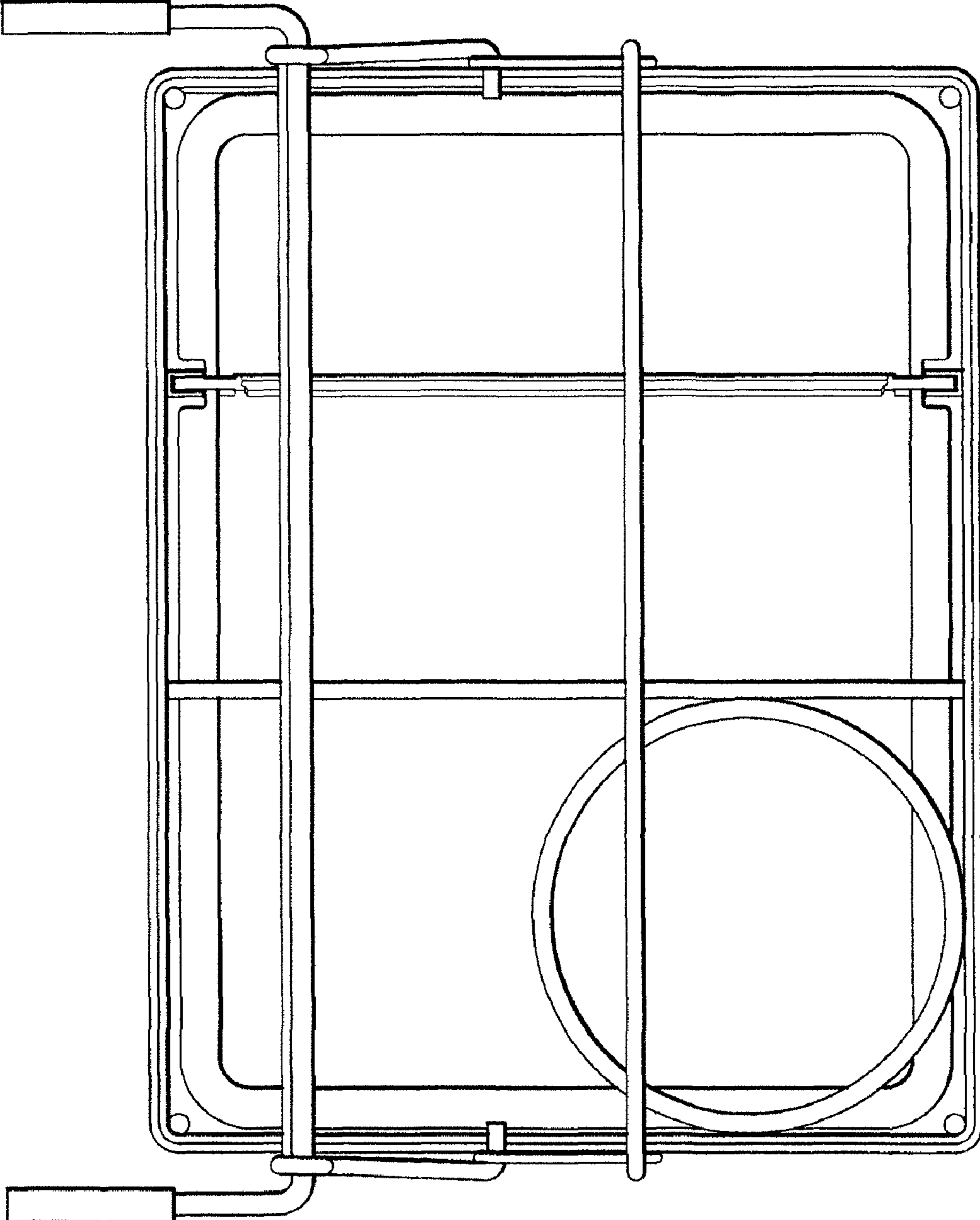


FIG. 2

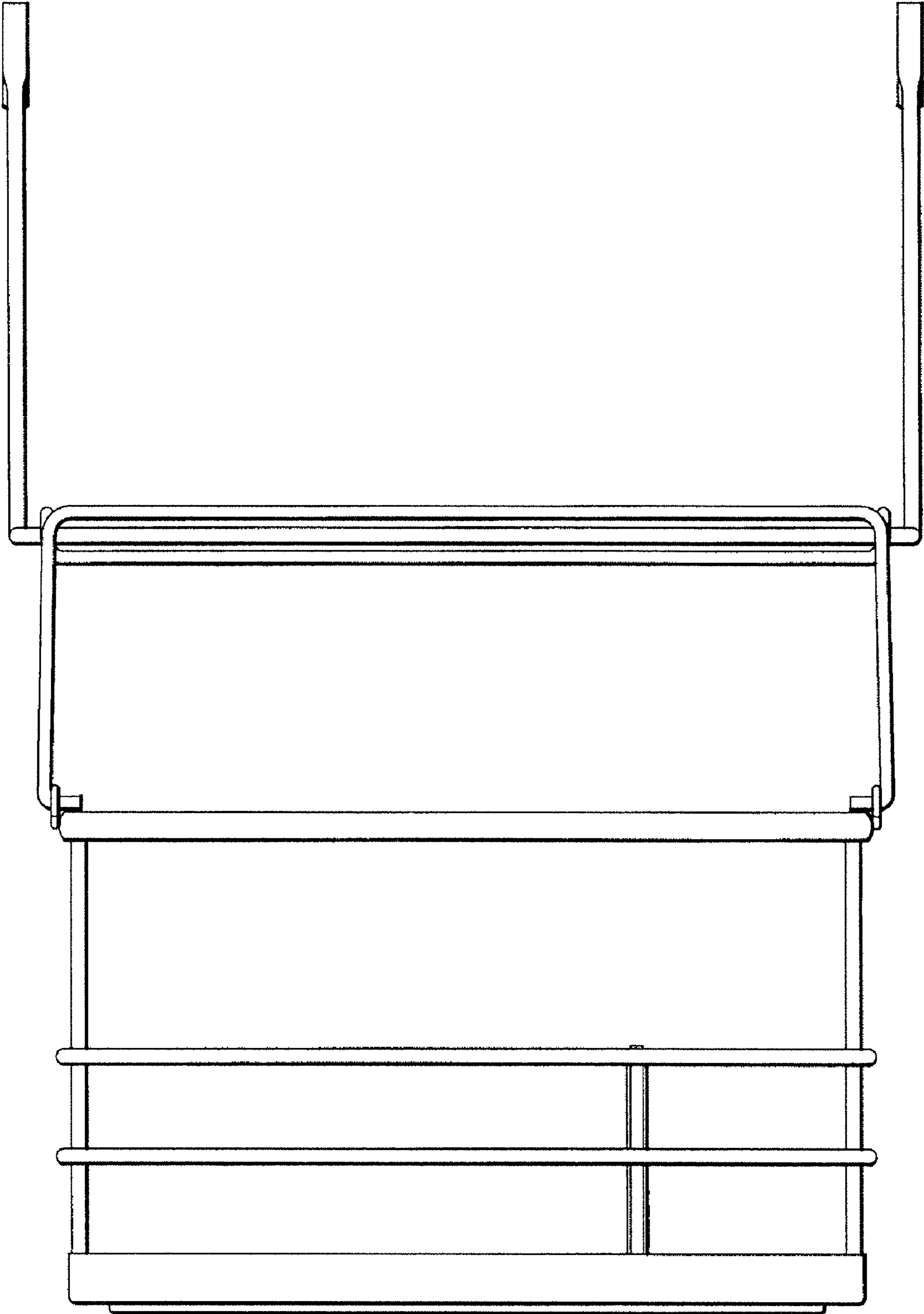


FIG.3

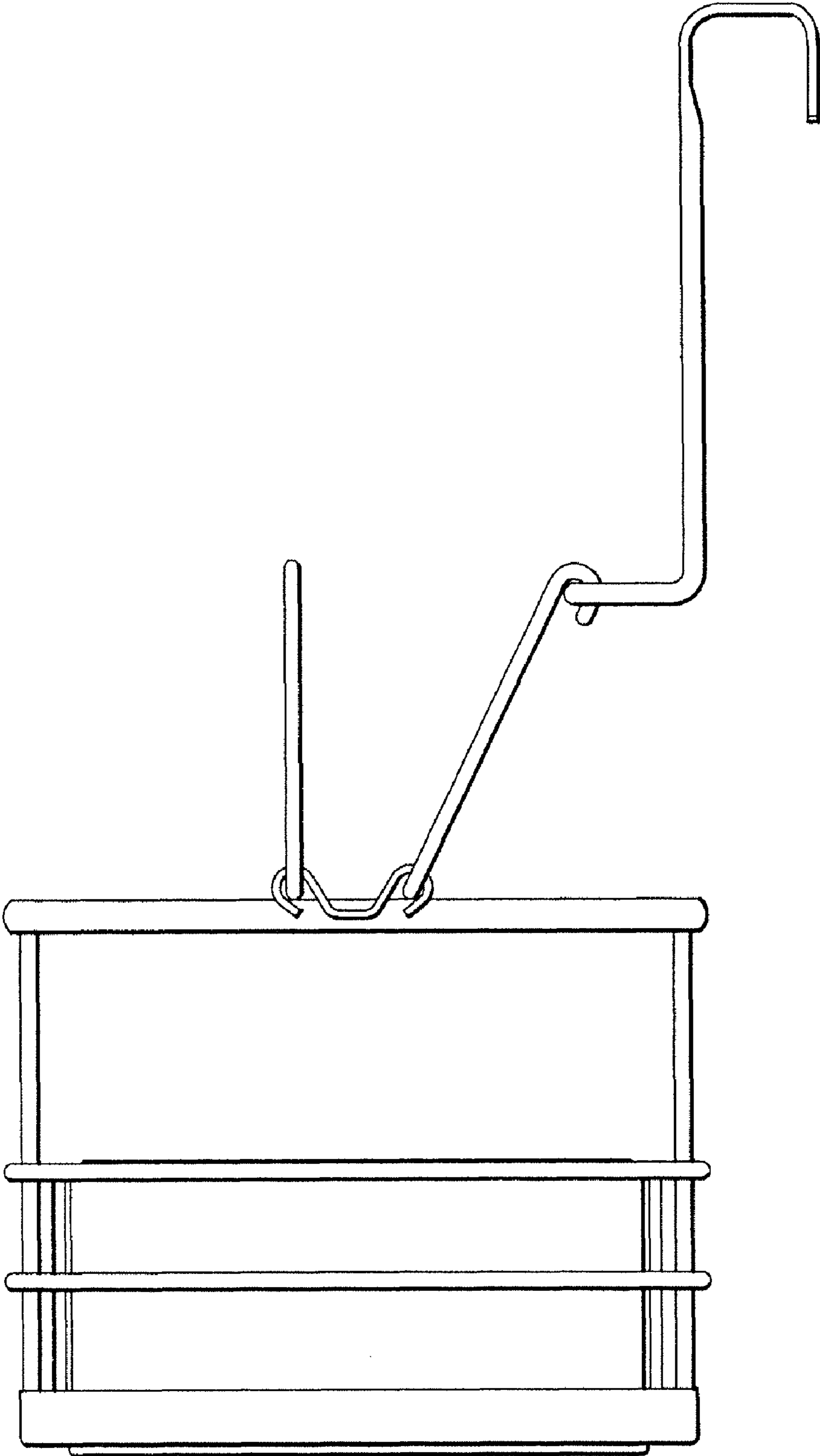


FIG.4

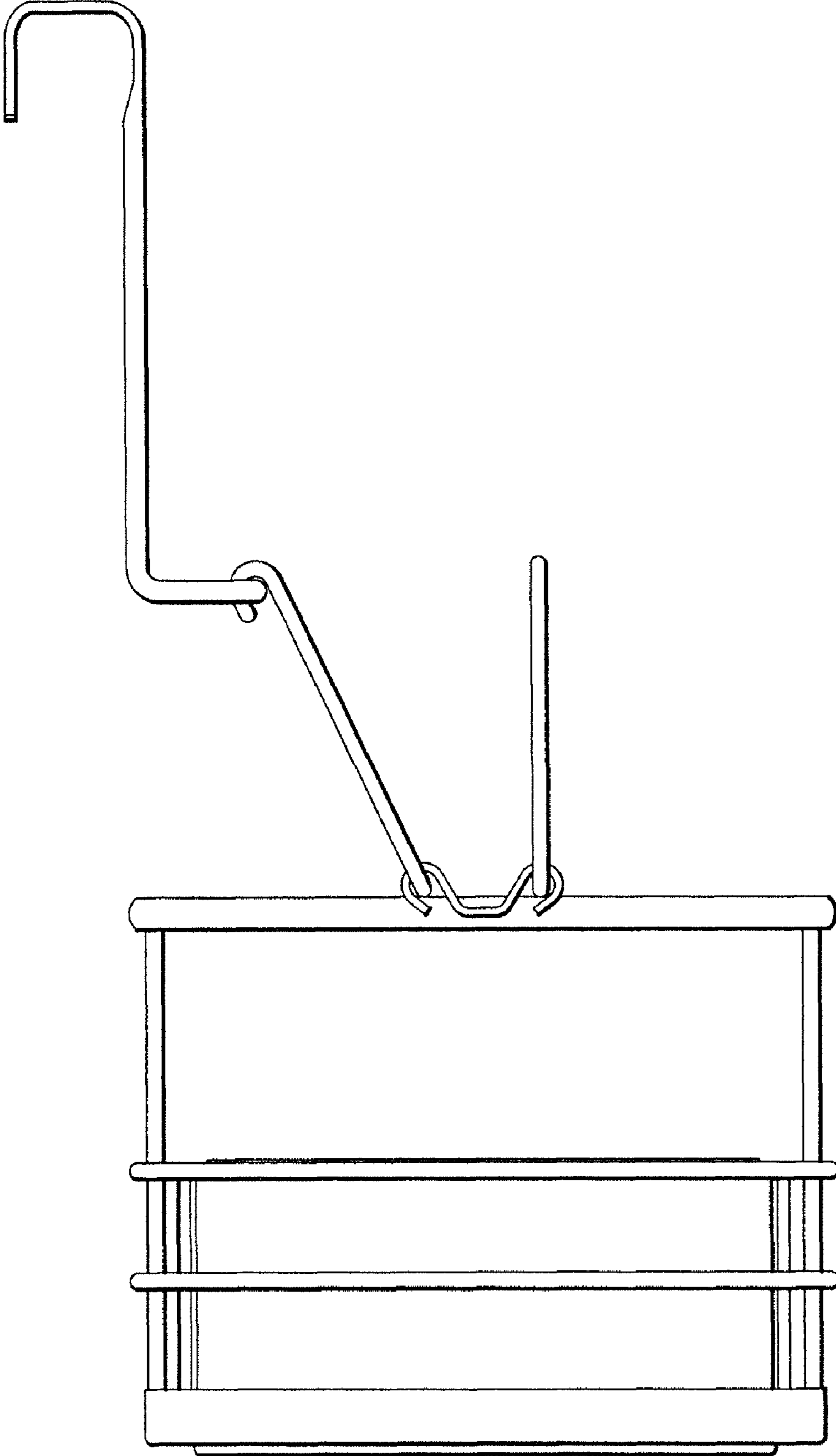


FIG.5

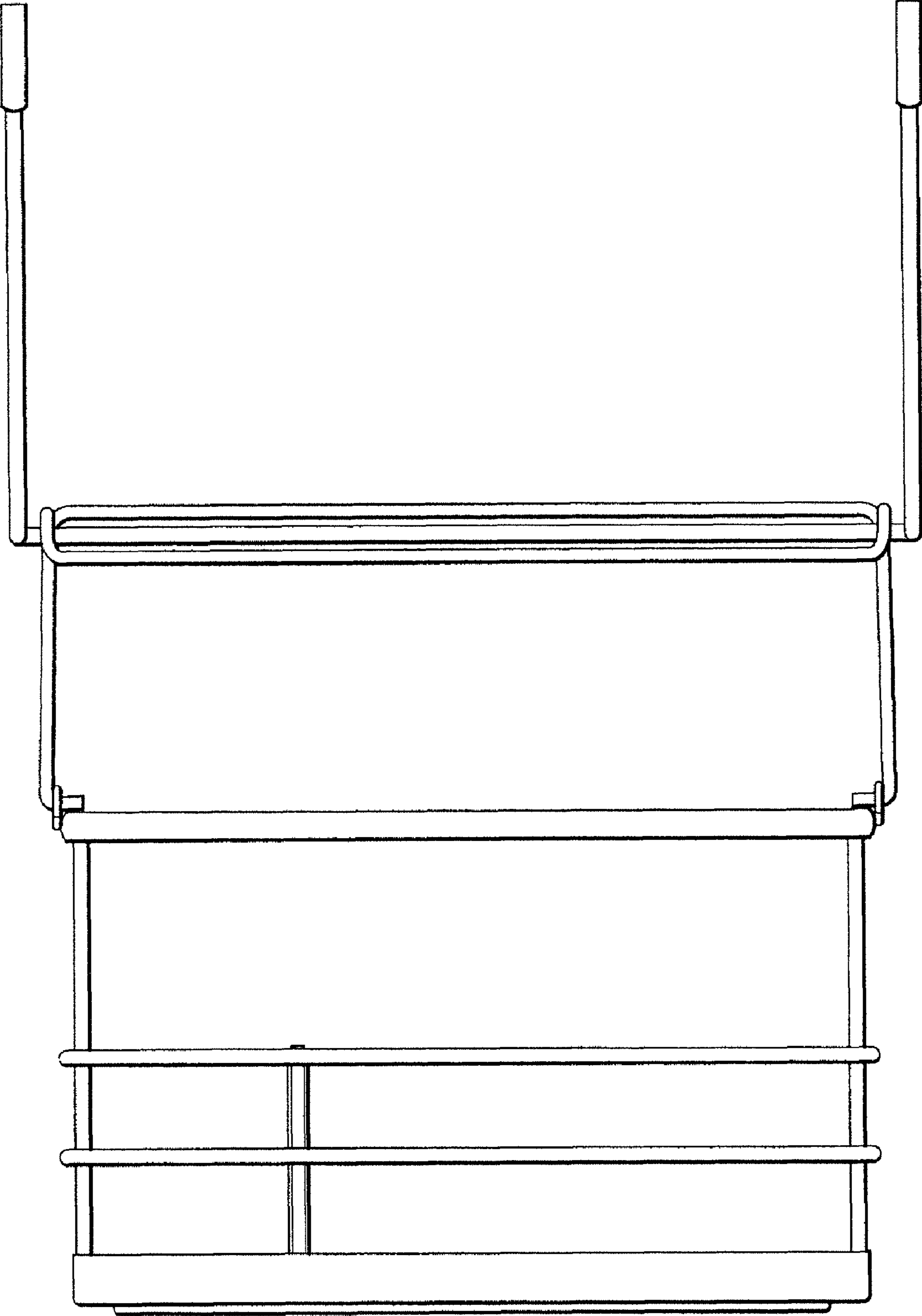


FIG.6

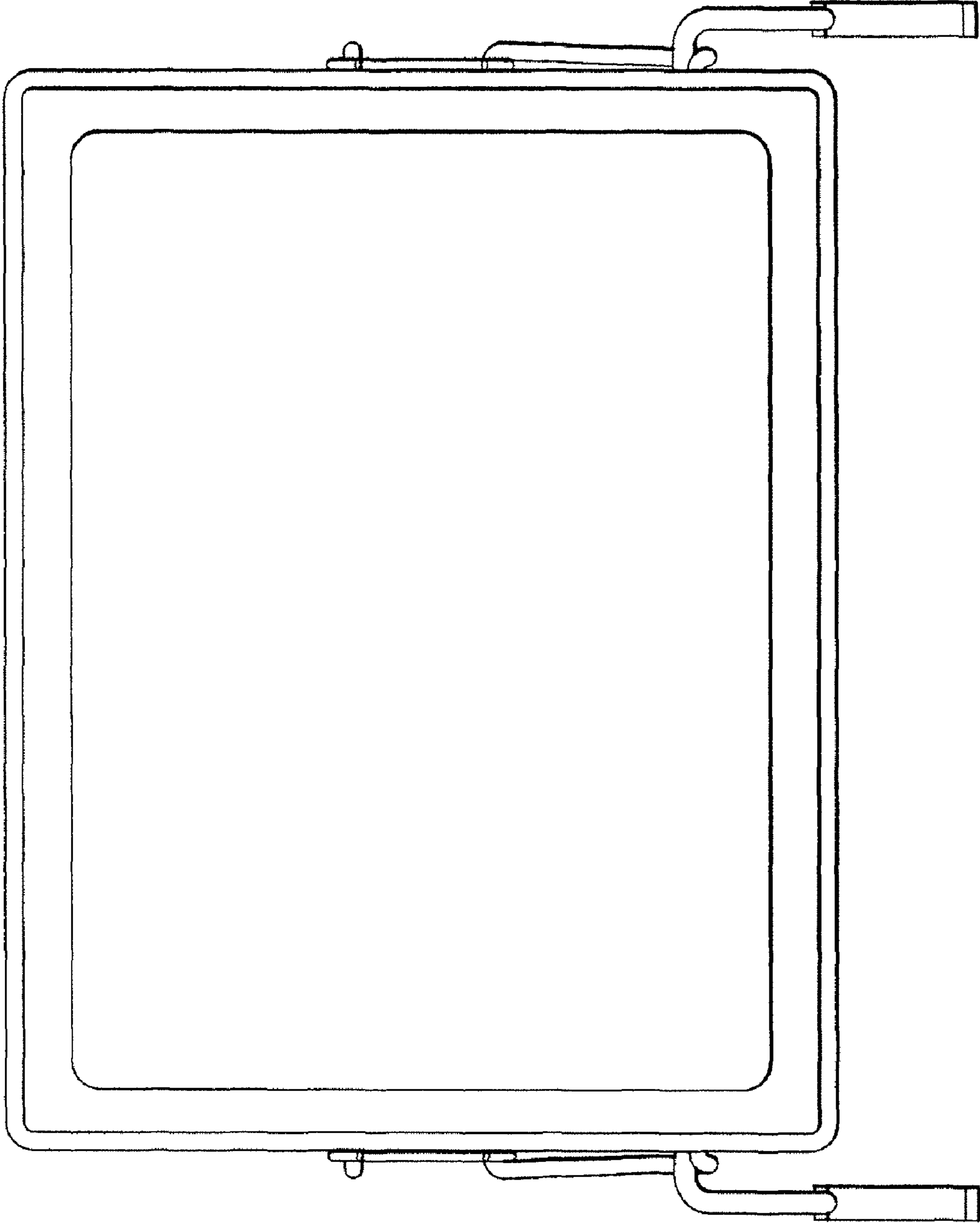


FIG. 7