



US00D630032S

(12) **United States Design Patent**  
**Lang**

(10) **Patent No.:** **US D630,032 S**

(45) **Date of Patent:** **\*\* Jan. 4, 2011**

(54) **STORAGE DEVICE**

(76) **Inventor:** **Steve Lang**, 1619 E. 818 Rd., Lawrence,  
KS (US) 66049

(\*\*) **Term:** **14 Years**

(21) **Appl. No.:** **29/327,487**

(22) **Filed:** **Nov. 6, 2008**

(51) **LOC (9) Cl.** ..... **06-04**

(52) **U.S. Cl.** ..... **D6/449**

(58) **Field of Classification Search** ..... D6/449,  
D6/513-514, 553, 567; 206/278, 286, 289;  
211/100, 13.1, 85.3, 113

See application file for complete search history.

(56) **References Cited**

**U.S. PATENT DOCUMENTS**

D262,666 S *	1/1982	Tager .....	D3/23
D382,747 S *	8/1997	Dickinson et al. ....	D6/514
D465,363 S *	11/2002	Ong .....	D6/514
7,063,397 B2 *	6/2006	Sabounjian .....	312/6
D539,580 S *	4/2007	Greiner .....	D6/514
D540,583 S *	4/2007	Greiner .....	D6/514
D547,579 S *	7/2007	Greiner .....	D6/514
D551,472 S *	9/2007	Greiner .....	D3/514

D551,473 S *	9/2007	Greiner .....	D6/514
D566,986 S *	4/2008	Greiner .....	D6/411
D569,666 S *	5/2008	Gusdorf .....	D6/514
2008/0140253 A1 *	6/2008	Brown .....	700/245

\* cited by examiner

*Primary Examiner*—Philip S Hyder

*Assistant Examiner*—Sydney R Buffalow

(74) *Attorney, Agent, or Firm*—Polsinelli Shughart, P.C.;  
Richard Stitt

(57) **CLAIM**

The ornamental design for a storage device, as shown and described.

**DESCRIPTION**

FIG. 1 is a front elevation view of the storage device showing my new design;

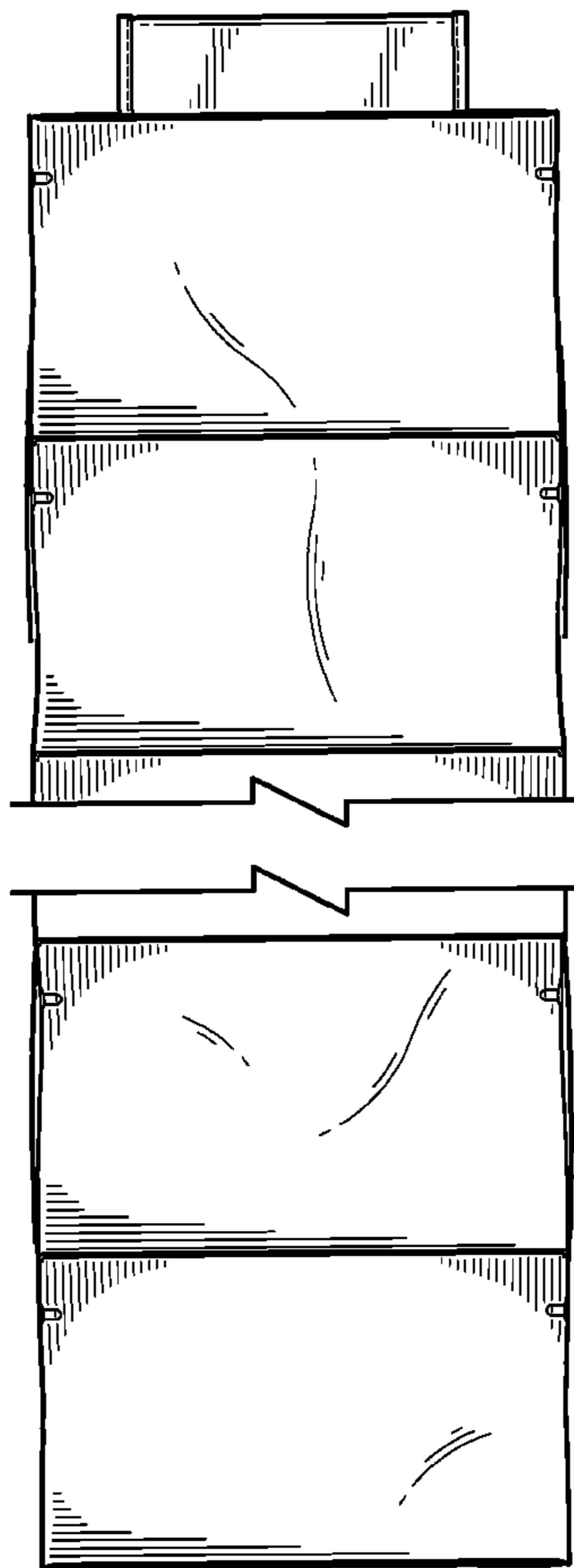
FIG. 2 is a left side elevational view thereof, the right side view being a minor image thereof;

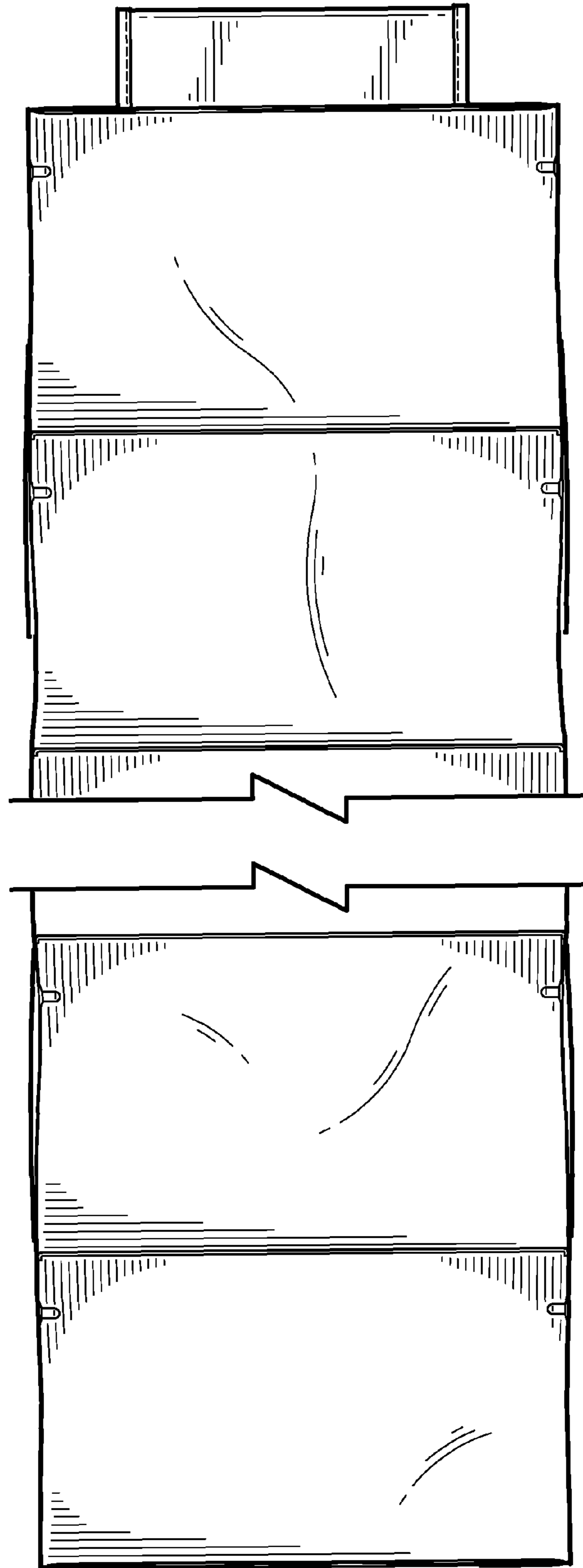
FIG. 3 is a rear elevation view thereof;

FIG. 4 is a top plan view thereof; and,

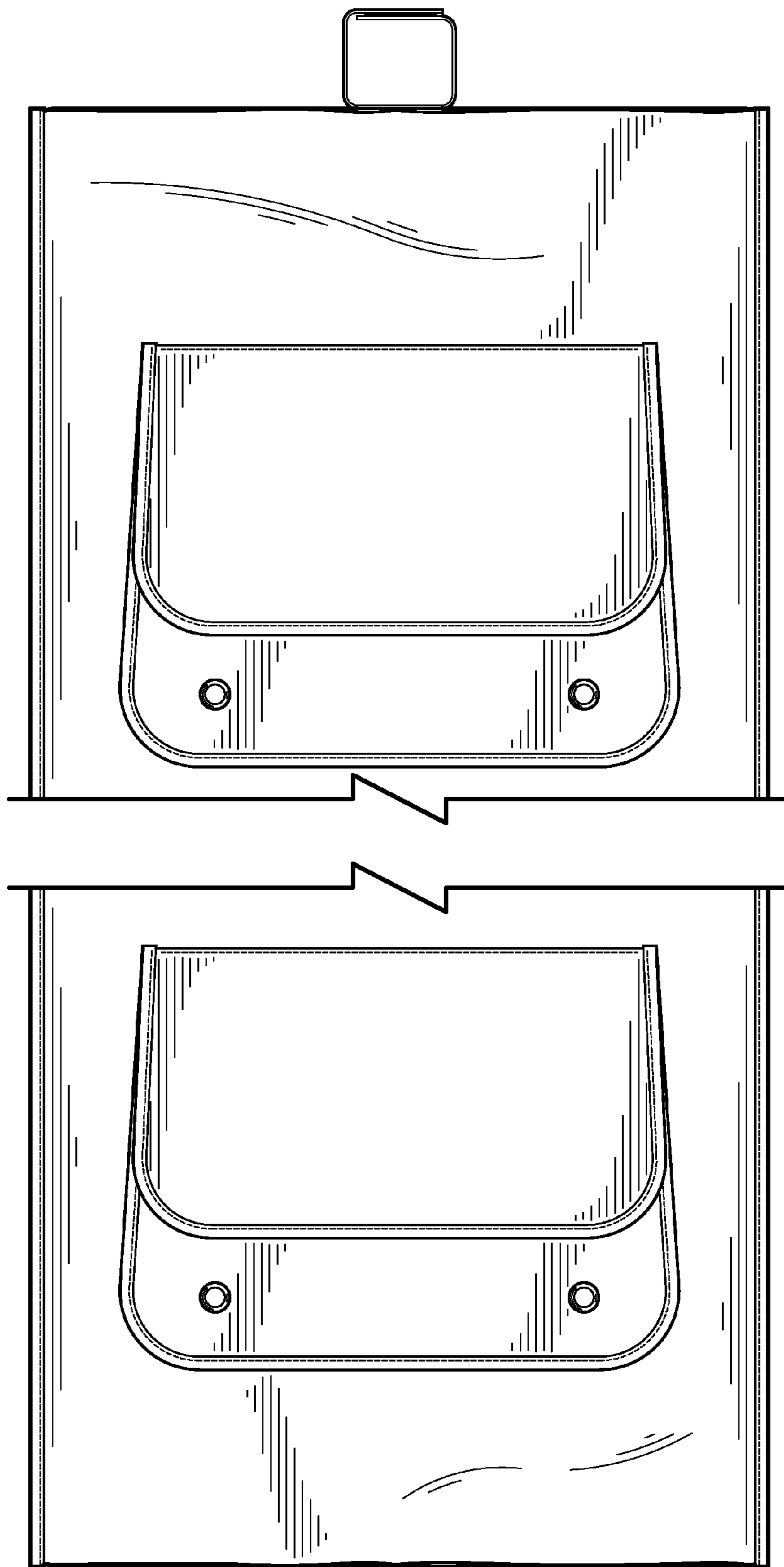
FIG. 5 is a bottom plan view thereof.

**1 Claim, 4 Drawing Sheets**

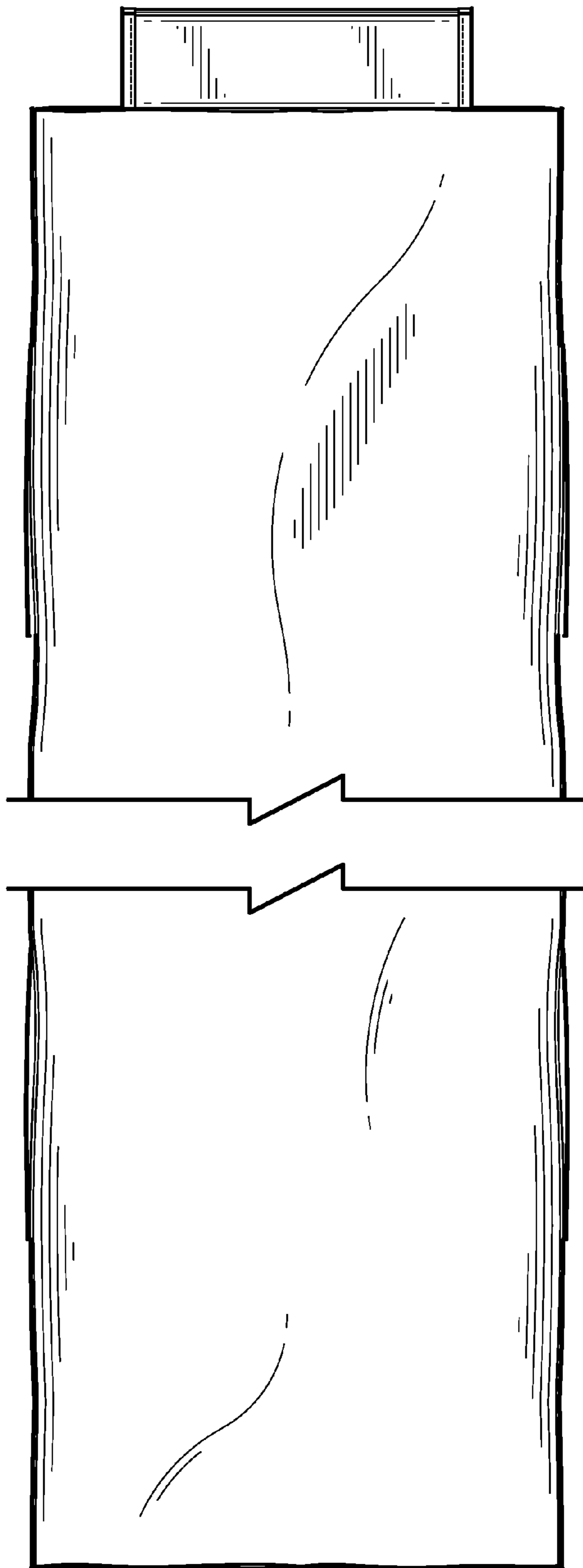




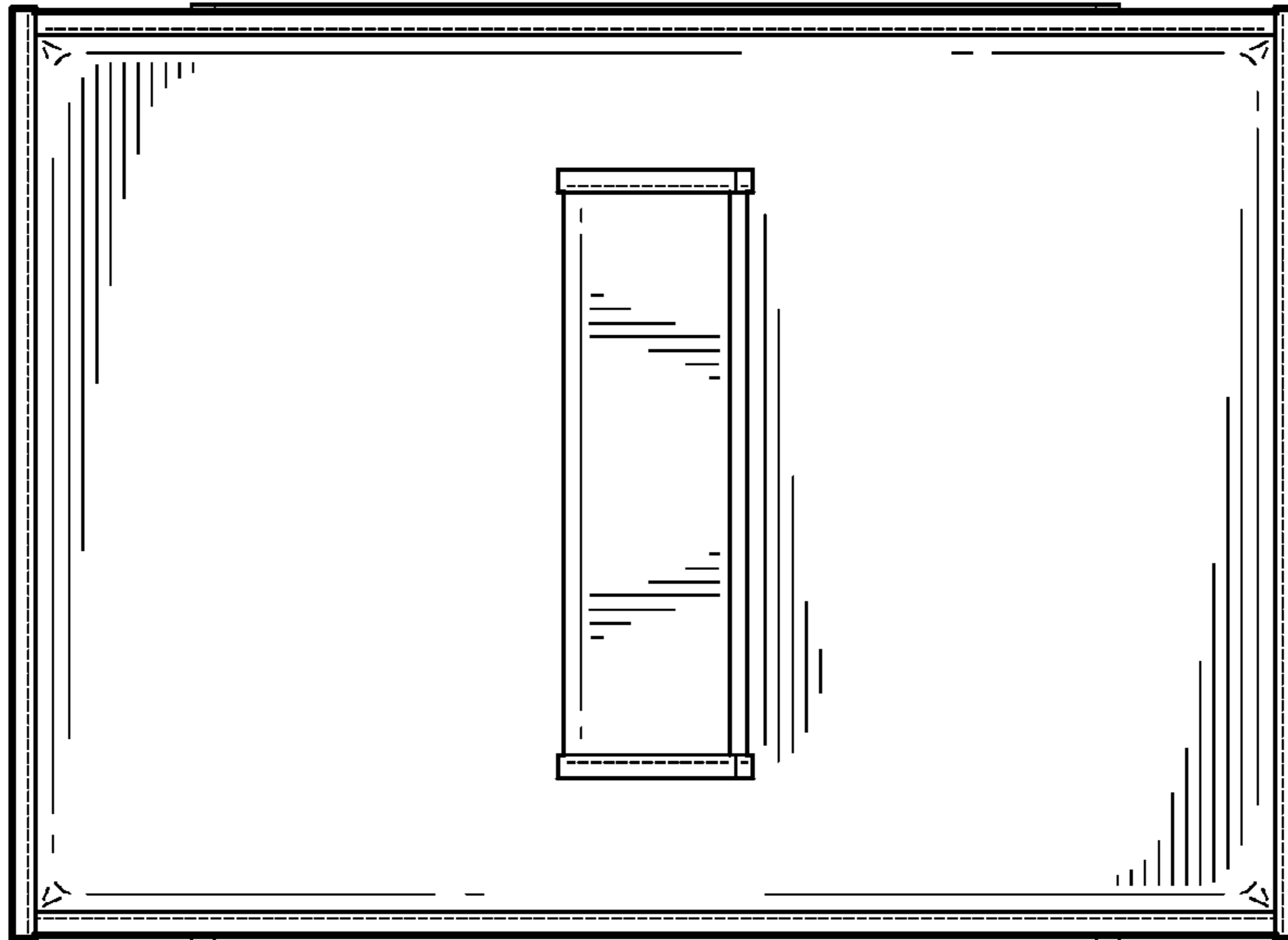
*Fig. 1*



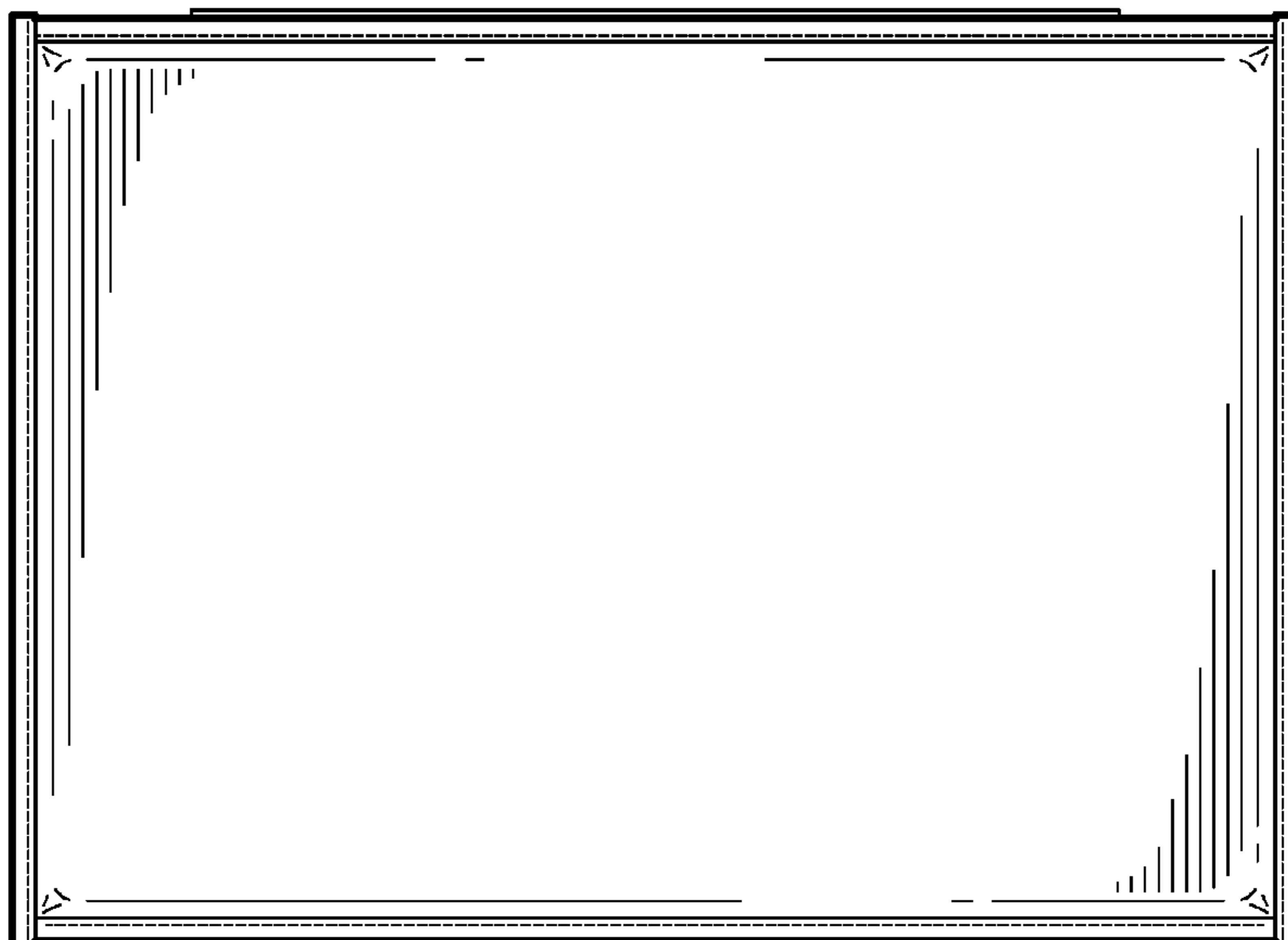
*Fig. 2*



*Fig. 3*



*Fig. 4*



*Fig. 5*