



US00D630030S

(12) **United States Design Patent**  
**Vu**

(10) **Patent No.:** **US D630,030 S**  
(45) **Date of Patent:** **\*\* Jan. 4, 2011**

(54) **STUDY DESK**

(75) **Inventor:** **Vincent Vu**, 9848 Willow Glen Ct.,  
Richmond, VA (US) 23228

(73) **Assignee:** **Vincent Vu**, Richmond, VA (US)

(\*\*) **Term:** **14 Years**

(21) **Appl. No.:** **29/366,923**

(22) **Filed:** **Aug. 1, 2010**

(51) **LOC (9) Cl.** ..... **06-01**

(52) **U.S. Cl.** ..... **D6/338**

(58) **Field of Classification Search** ..... D6/330,  
D6/335-338, 340, 349-355, 358, 359, 364,  
D6/366, 376, 491, 495, 500-502; 297/16.1,  
297/39, 46, 135, 140, 156, 158.3, 158.4,  
297/175, 177, 187, 195.1, 195.11, 211, 245,  
297/423.1, 423.16, 445.1, 461, 462, 136,  
297/170, 172, 174 F

See application file for complete search history.

(56) **References Cited**

**U.S. PATENT DOCUMENTS**

1,379,648	A *	5/1921	Niebel	446/69
1,660,119	A *	2/1928	Decker	446/69
2,321,177	A *	6/1943	Blossom	297/141
D159,534	S *	8/1950	Raichert	D6/338
D165,554	S *	12/1951	Schukat	D6/338
D166,006	S *	2/1952	Huth	D6/338
D167,404	S *	8/1952	Huth	D6/338
D167,405	S *	8/1952	Huth	D6/338
2,620,018	A *	12/1952	Pagano	297/123
D219,443	S *	12/1970	Hubel	D6/335
D220,952	S *	6/1971	Peterson	D6/360
3,606,461	A *	9/1971	Moriyama	297/451.8
3,834,776	A *	9/1974	Becker, Jr.	312/108
D235,039	S *	5/1975	Olsen	D6/335

D268,276	S *	3/1983	Rados	D21/479
D274,576	S *	7/1984	Tiffany	D6/335
D327,179	S *	6/1992	Ryaa	D6/337
D329,756	S *	9/1992	Gandy	D6/338
D366,966	S *	2/1996	Bonaddio et al.	D6/335
D373,476	S *	9/1996	Hull	D6/338
D447,349	S *	9/2001	Gardner	D6/336
D459,901	S *	7/2002	Liu	D6/336
D482,538	S *	11/2003	Fischer	D6/336
D503,548	S *	4/2005	Peters	D6/335
D503,855	S *	4/2005	Best	D6/335
D518,301	S *	4/2006	Ng et al.	D6/335
D587,024	S *	2/2009	Turco-Rivas	D6/336

\* cited by examiner

*Primary Examiner*—Sandra Snapp

(57) **CLAIM**

The ornamental design for a study desk, as shown and described.

**DESCRIPTION**

FIG. 1 is a front elevation view of a study desk consisting of a desk and two chairs showing my new design.

FIG. 2 is a rear elevation view of the study desk;

FIG. 3 is a left side elevation view of the study desk, the right elevation view being a mirror image thereof;

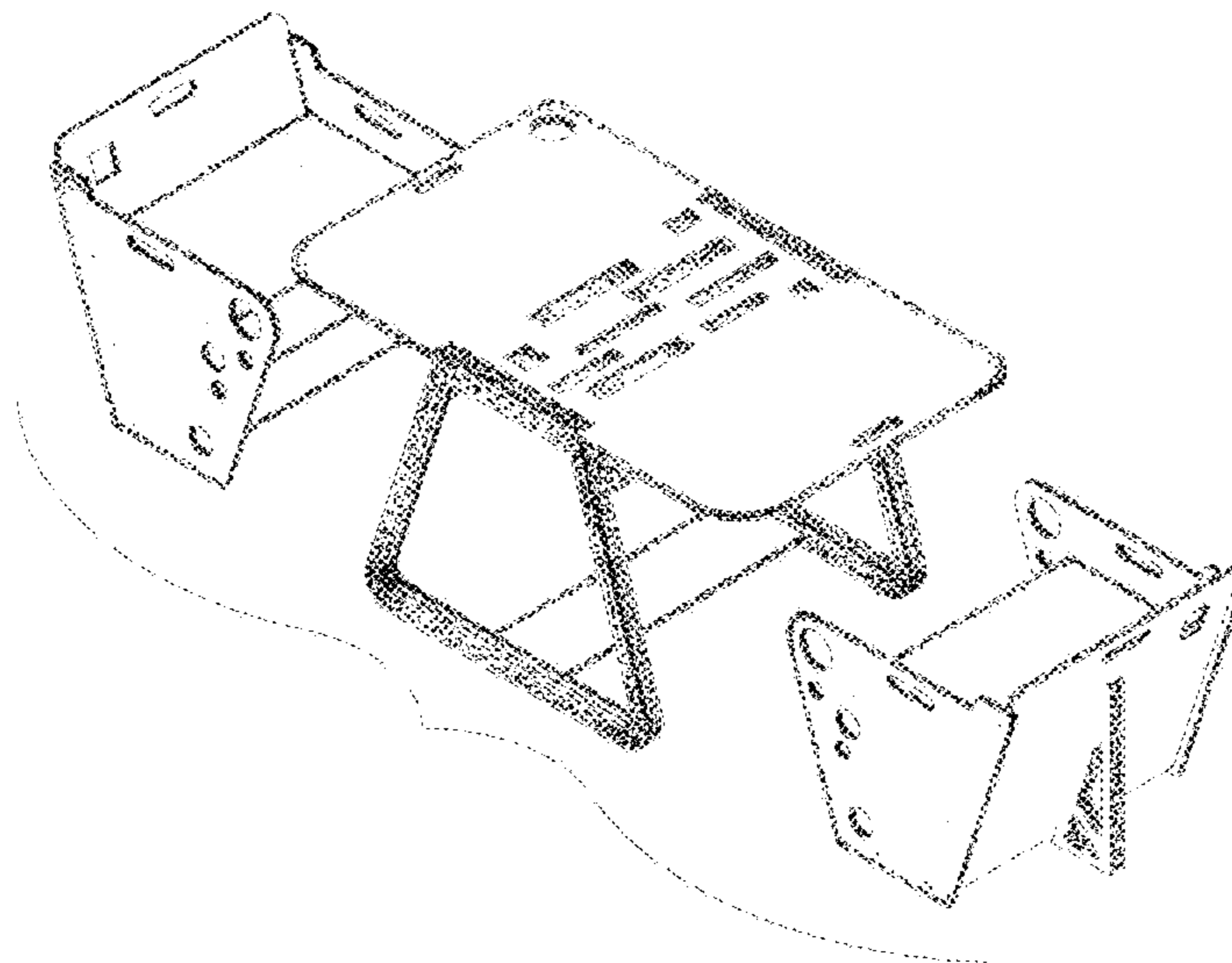
FIG. 4 is a left side elevation view of the study desk, with the desk and chairs shown in a separated position, the right side elevation view being a mirror thereof;

FIG. 5 is a top plan view of the study desk in a separated position;

FIG. 6 is an isometric view of the study desk in a separated position; and,

FIG. 7 is an isometric view of the study desk in a nested position.

**1 Claim, 4 Drawing Sheets**



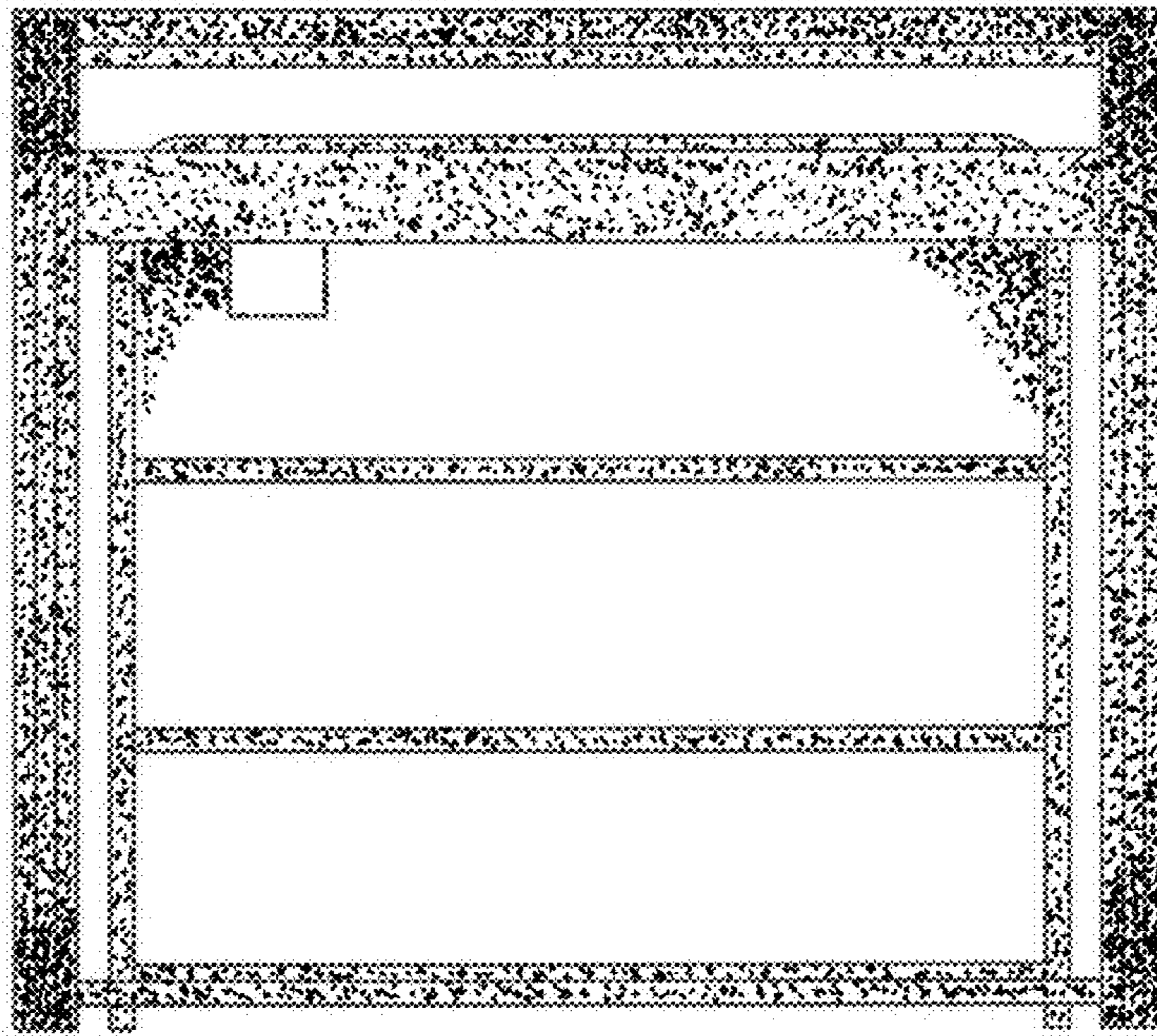


Fig. 1

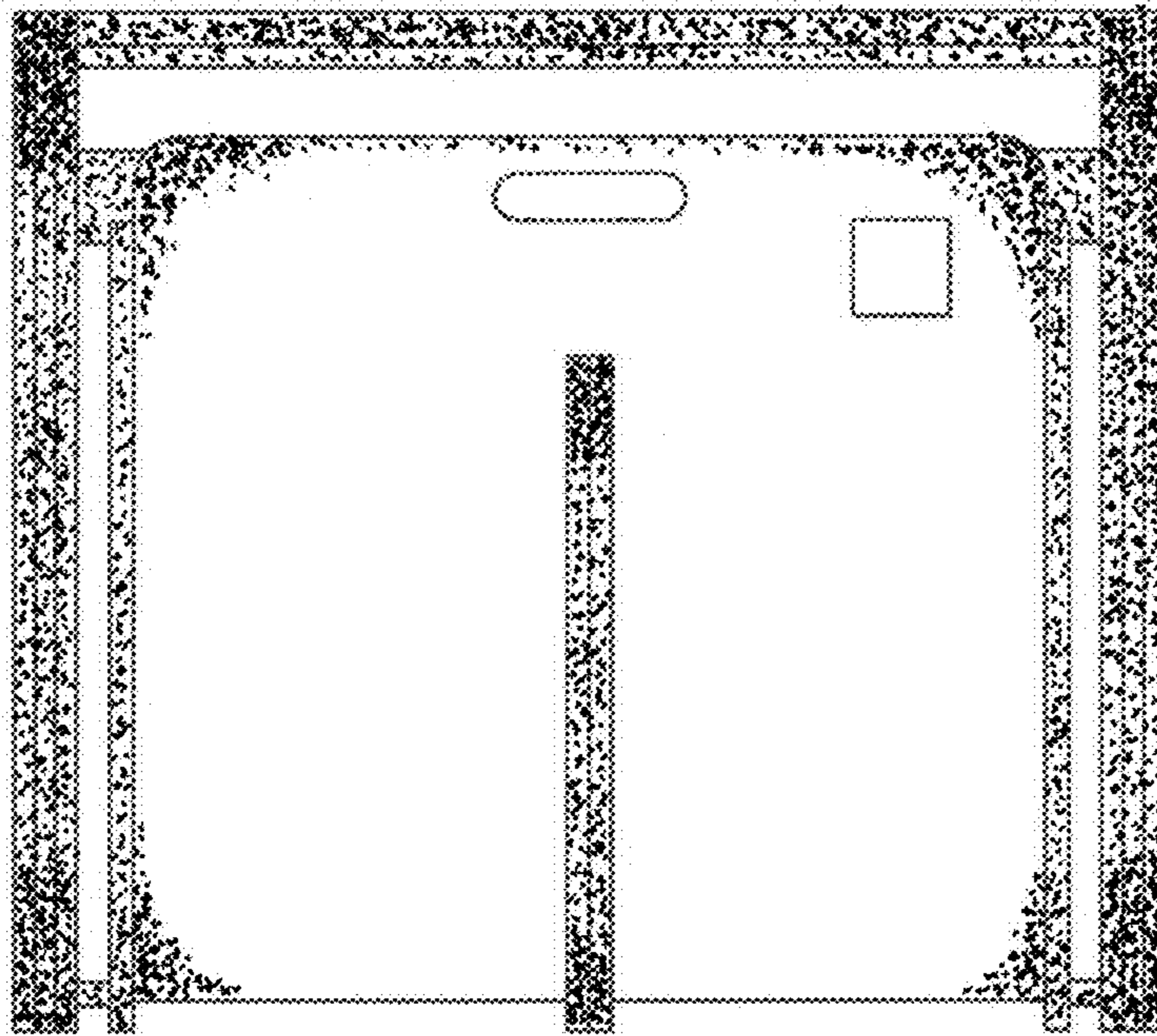


Fig. 2



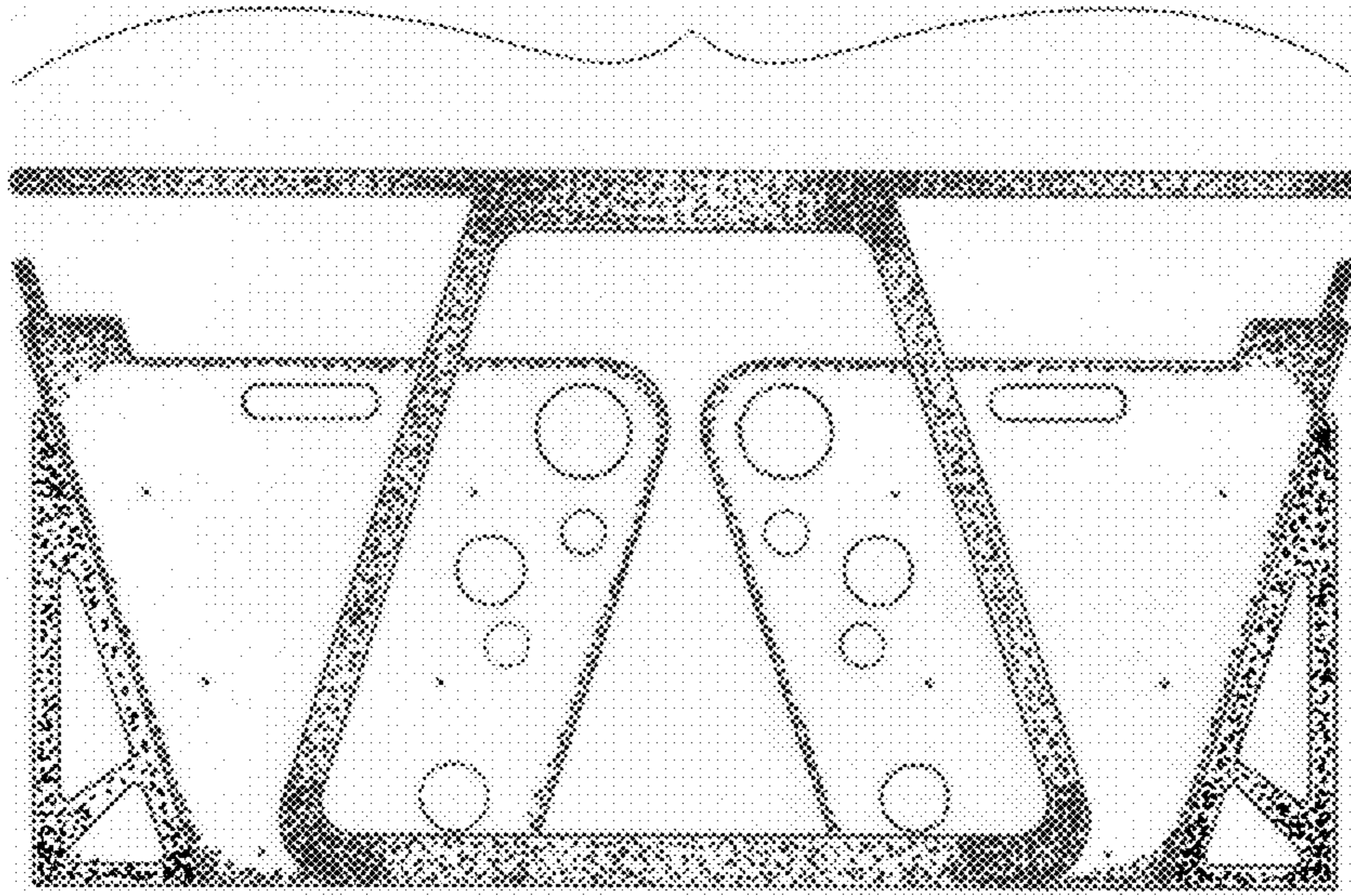


Fig. 3

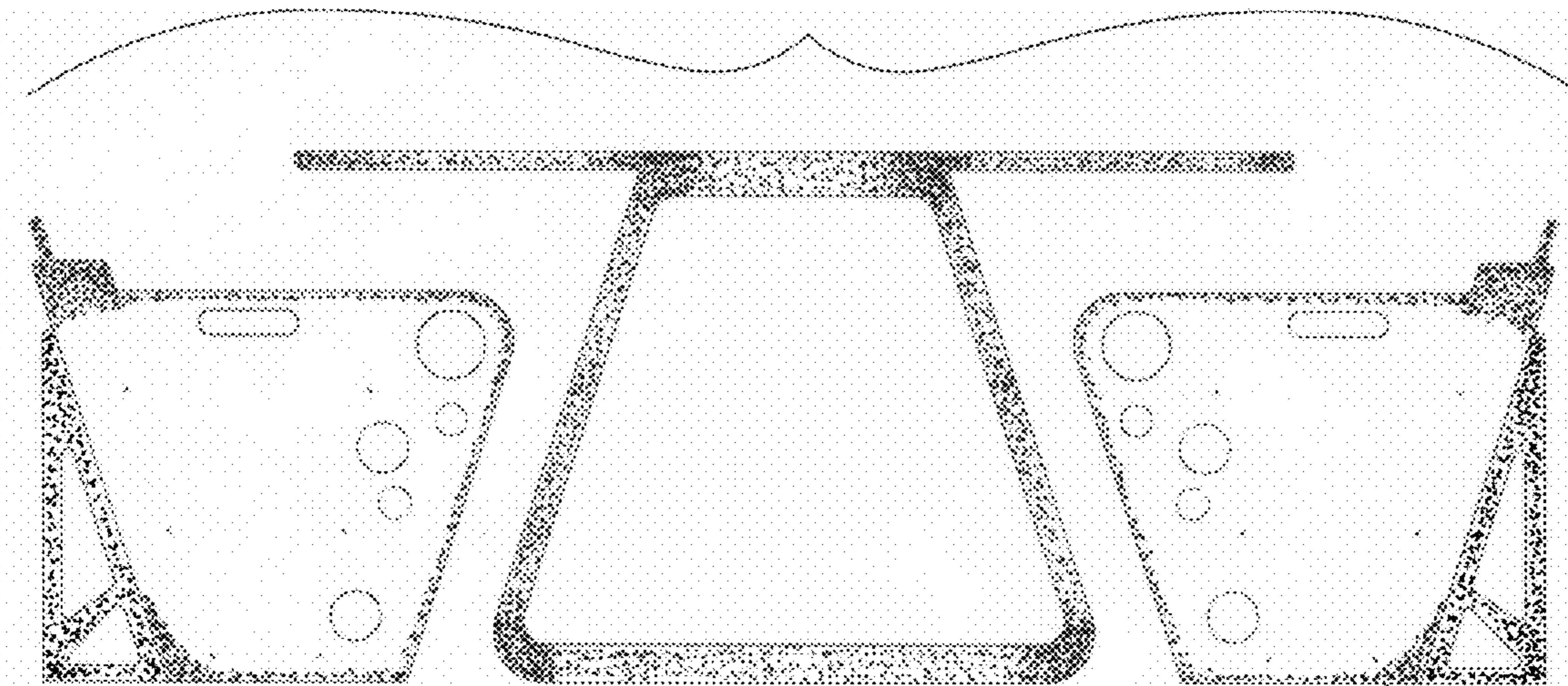


Fig. 4

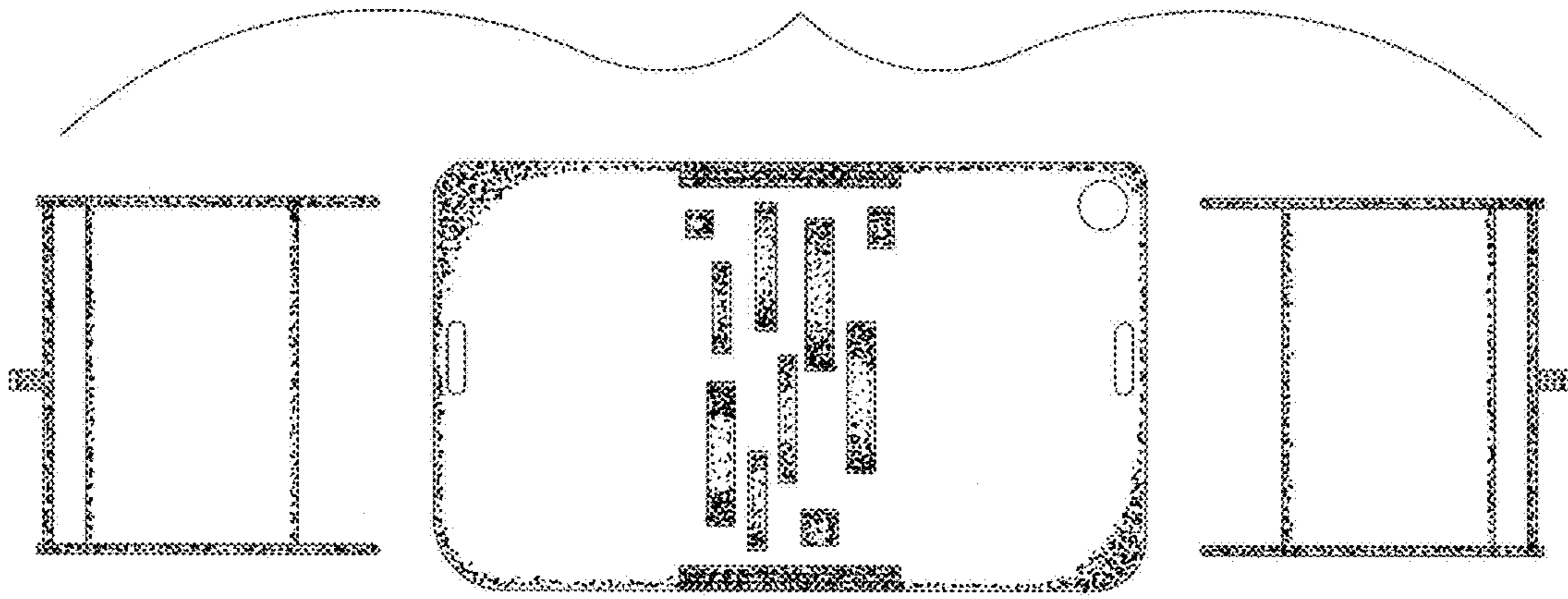


Fig. 5

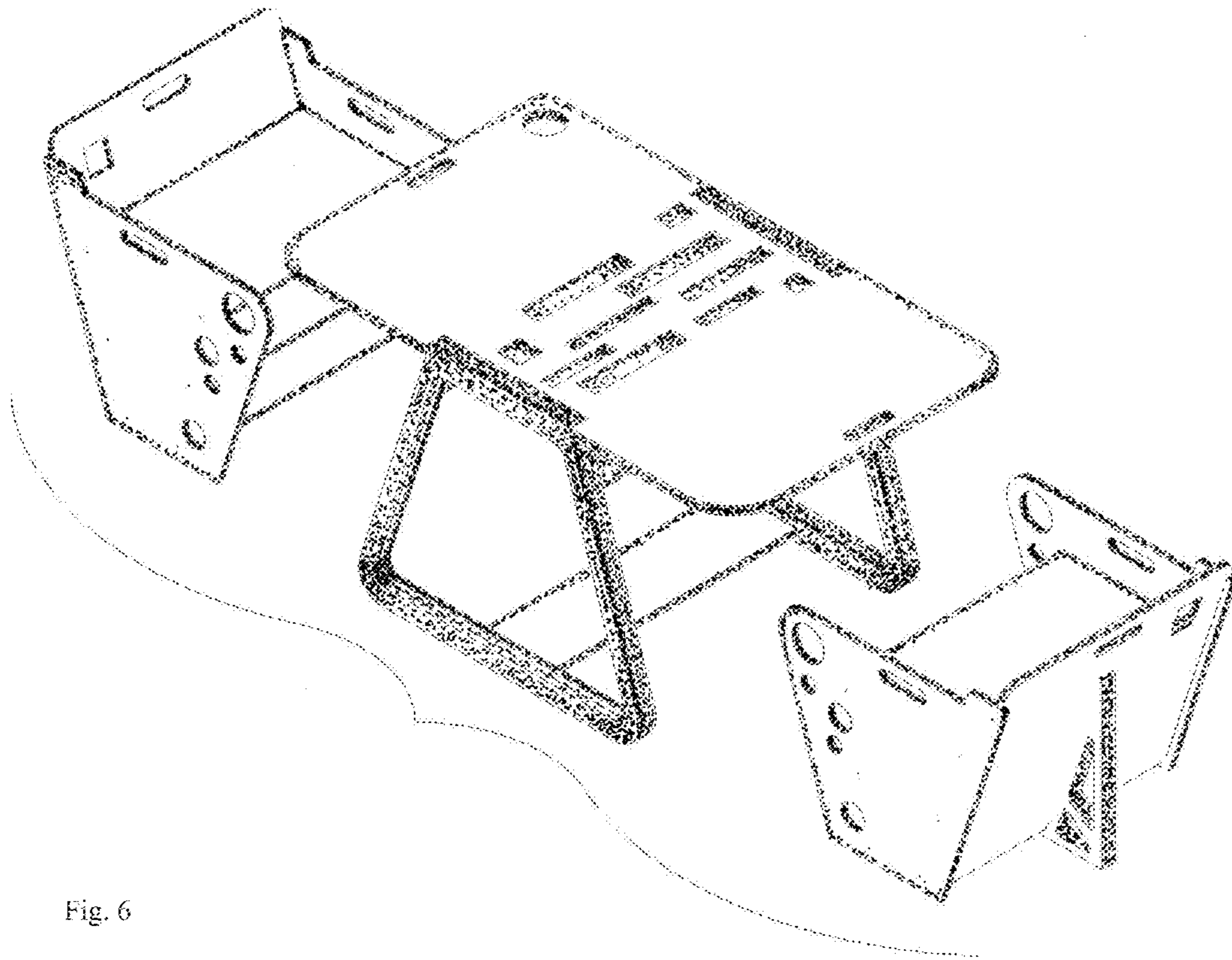


Fig. 6



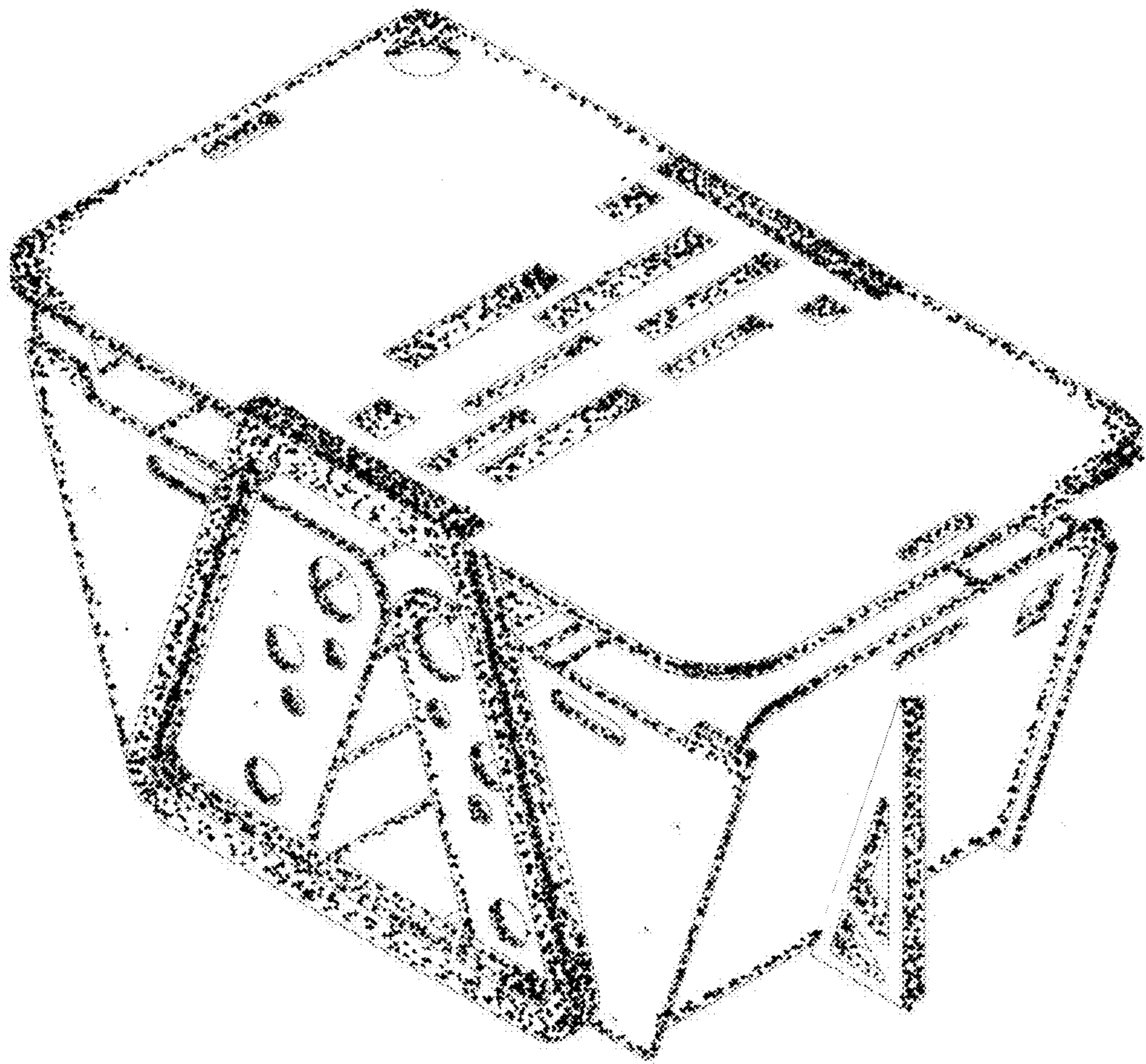


Fig. 7