

US00D630015S

(12) **United States Design Patent**
Weng et al.

(10) **Patent No.:** **US D630,015 S**
(45) **Date of Patent:** **** Jan. 4, 2011**

(54) **TOOL BOX**

(75) Inventors: **Xinyue Weng**, Zhejiang (CN); **Haijun Qiu**, Zhejiang (CN)

(73) Assignee: **Ningbo Xinyue Artist Machinery Manufactures Co., Ltd.**, Jiangnan Village, Lubu Town, Yuyao, Zhejiang Province (CN)

(**) Term: **14 Years**

(21) Appl. No.: **29/359,035**

(22) Filed: **Apr. 5, 2010**

(30) **Foreign Application Priority Data**

Nov. 17, 2009 (CN) 2009 3 0325079

(51) **LOC (9) Cl.** **03-01**

(52) **U.S. Cl.** **D3/276; D12/414.1**

(58) **Field of Classification Search** D3/272-273, D3/276, 281-282, 291, 294, 302, 307, 905; D9/420, 423-426, 429, 432; 190/19, 24; 206/349, 372-373; 312/902; D12/414.1, D12/423

See application file for complete search history.

(56) **References Cited**

U.S. PATENT DOCUMENTS

D327,353 S * 6/1992 Shetterly D34/25

D419,066 S * 1/2000 Lentini D12/414.1
D439,739 S * 4/2001 Murphy D3/272
D565,294 S * 4/2008 Limber D3/269
D566,646 S * 4/2008 Whittaker D12/414.1
D572,652 S * 7/2008 Hutcheson D12/414.1
D599,548 S * 9/2009 Bech D3/272

* cited by examiner

Primary Examiner—Charles A Rademaker

Assistant Examiner—Charles D Hanson

(74) *Attorney, Agent, or Firm*—Global IP Services; Tianhua Gu

(57) **CLAIM**

The ornamental design for a tool box, as shown and described.

DESCRIPTION

FIG. 1 is a left front perspective view of a tool box showing my new design; and

FIG. 2 is a front view thereof;

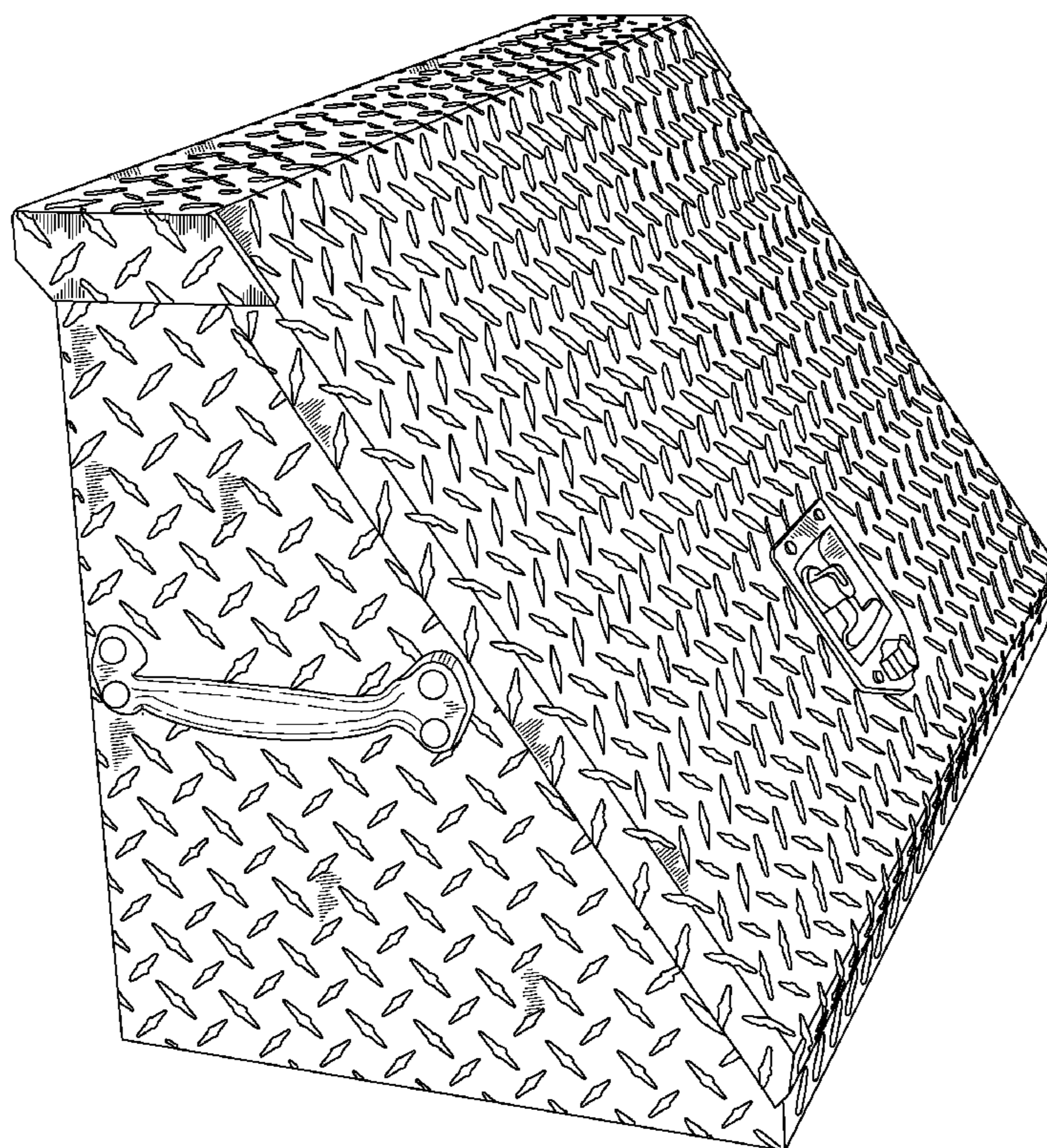
FIG. 3 is a rear view thereof;

FIG. 4 is a top plan view thereof;

FIG. 5 is a bottom plan view thereof; and,

FIG. 6 is a left side view thereof; the right side view thereof is a mirror image of the left side view.

1 Claim, 6 Drawing Sheets



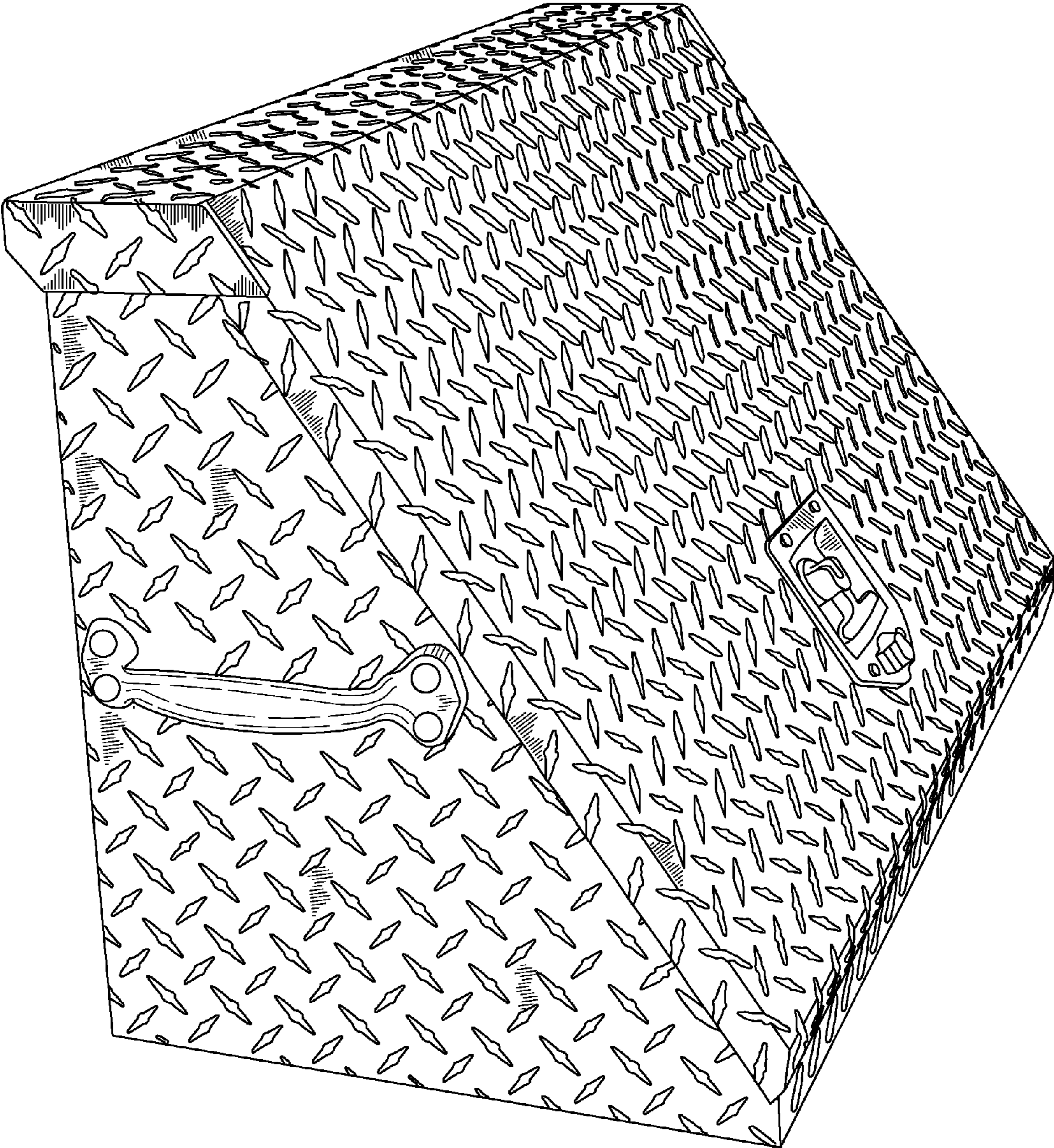


FIG. 1

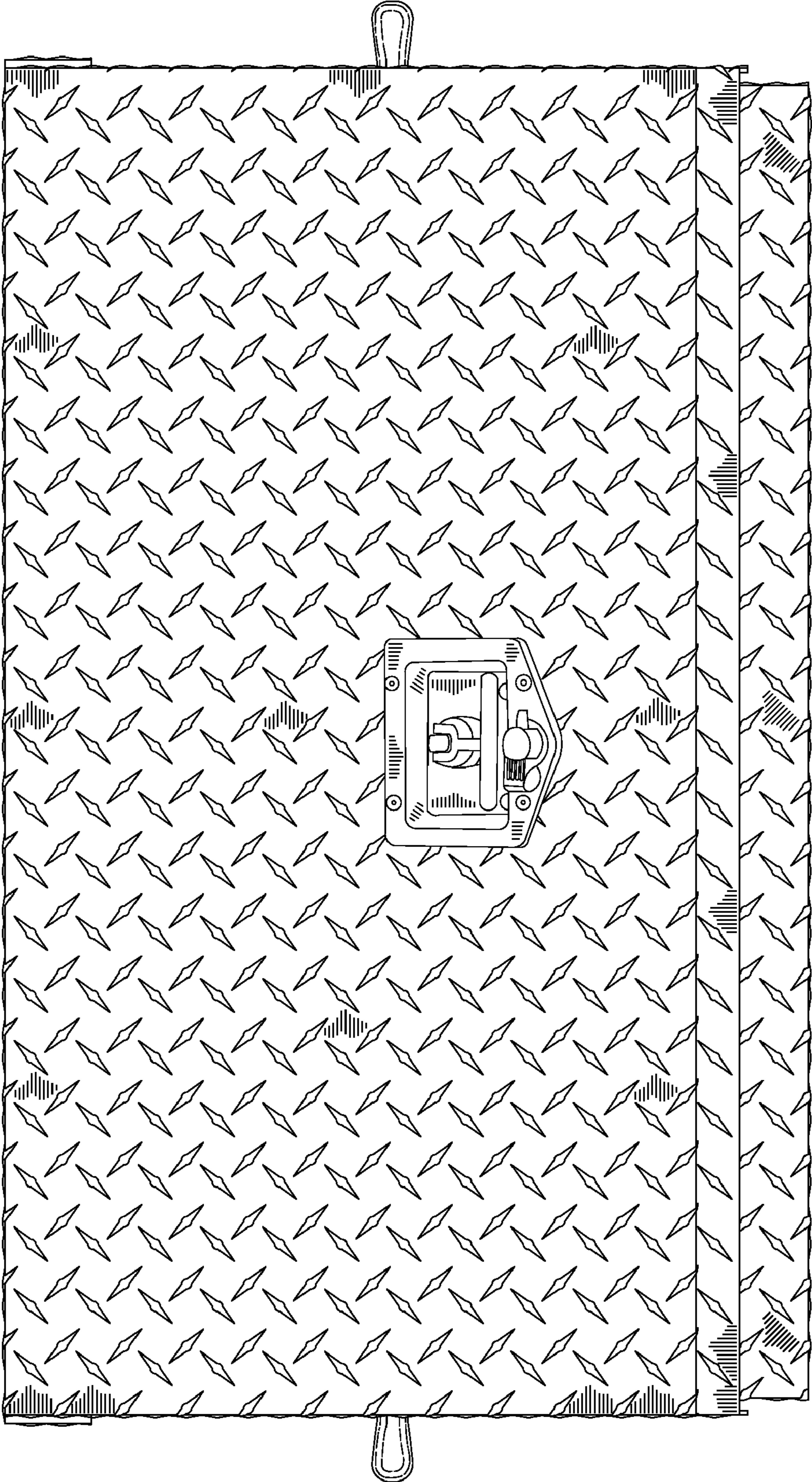


FIG. 2

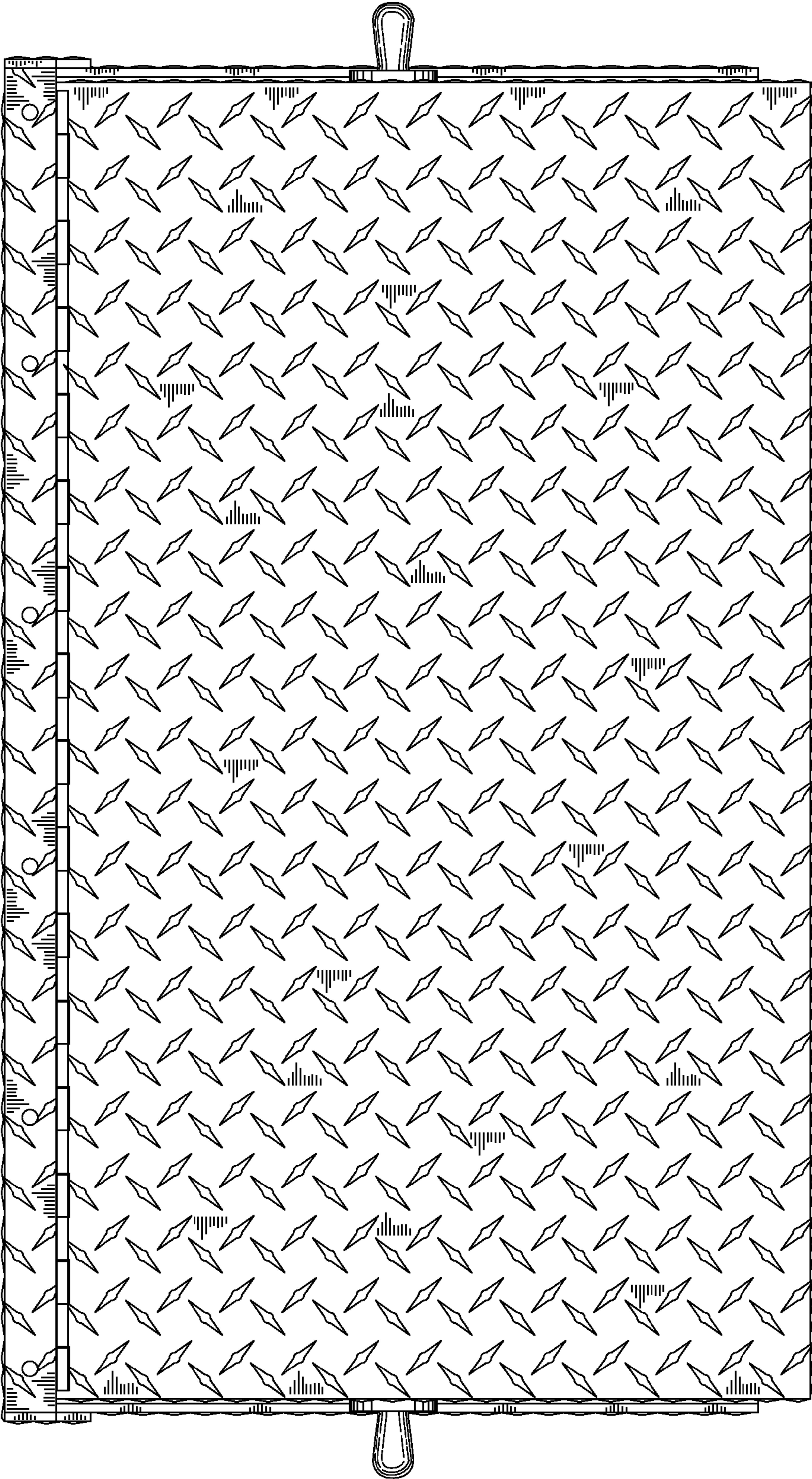


FIG. 3

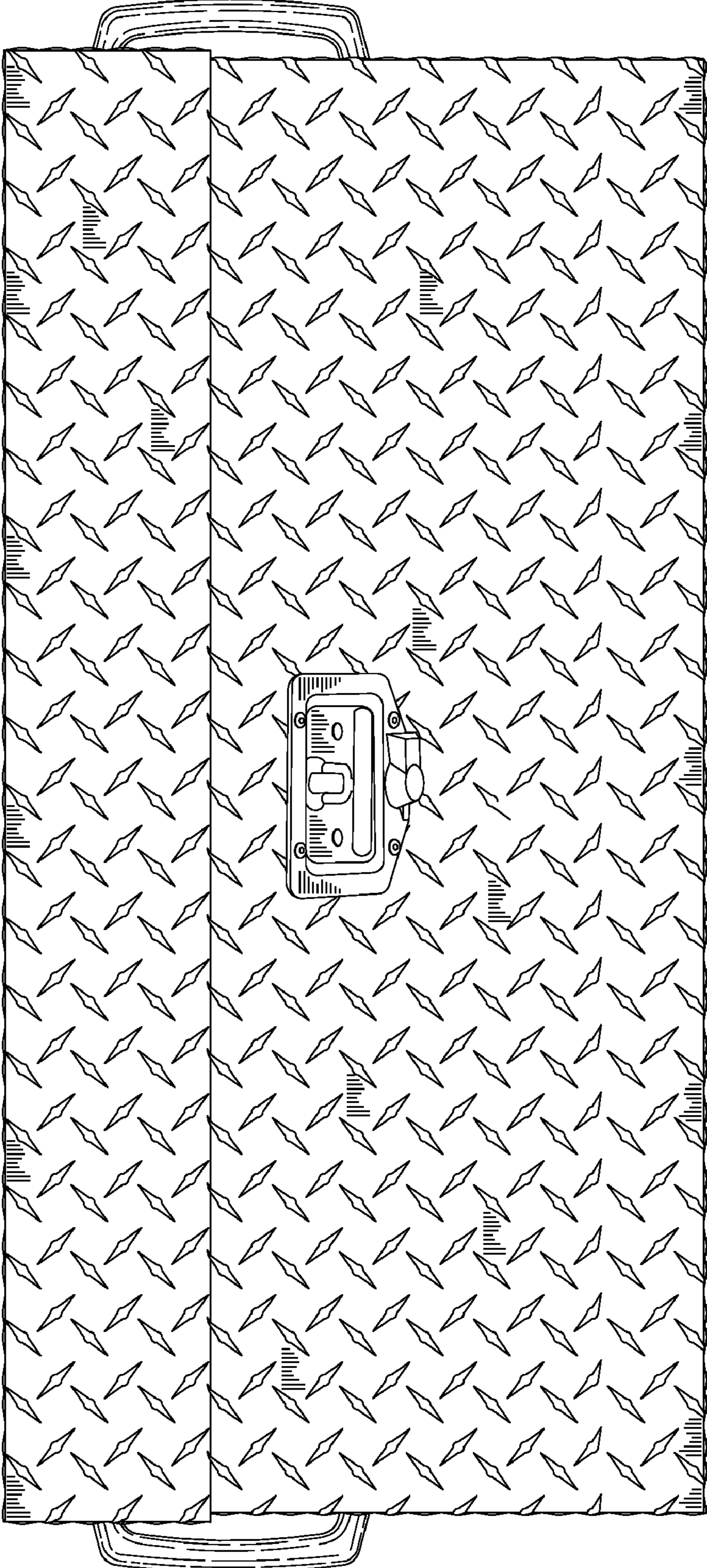


FIG. 4

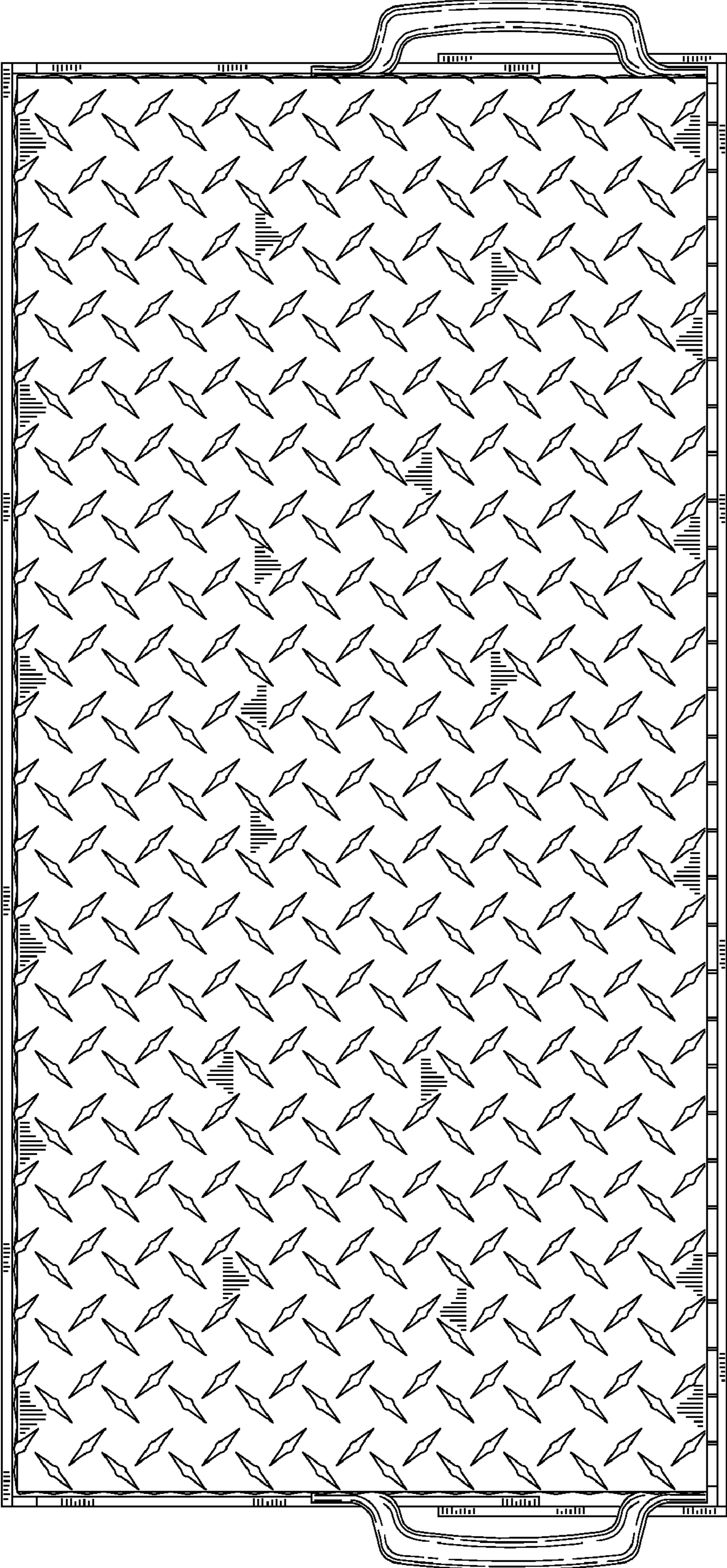


FIG. 5

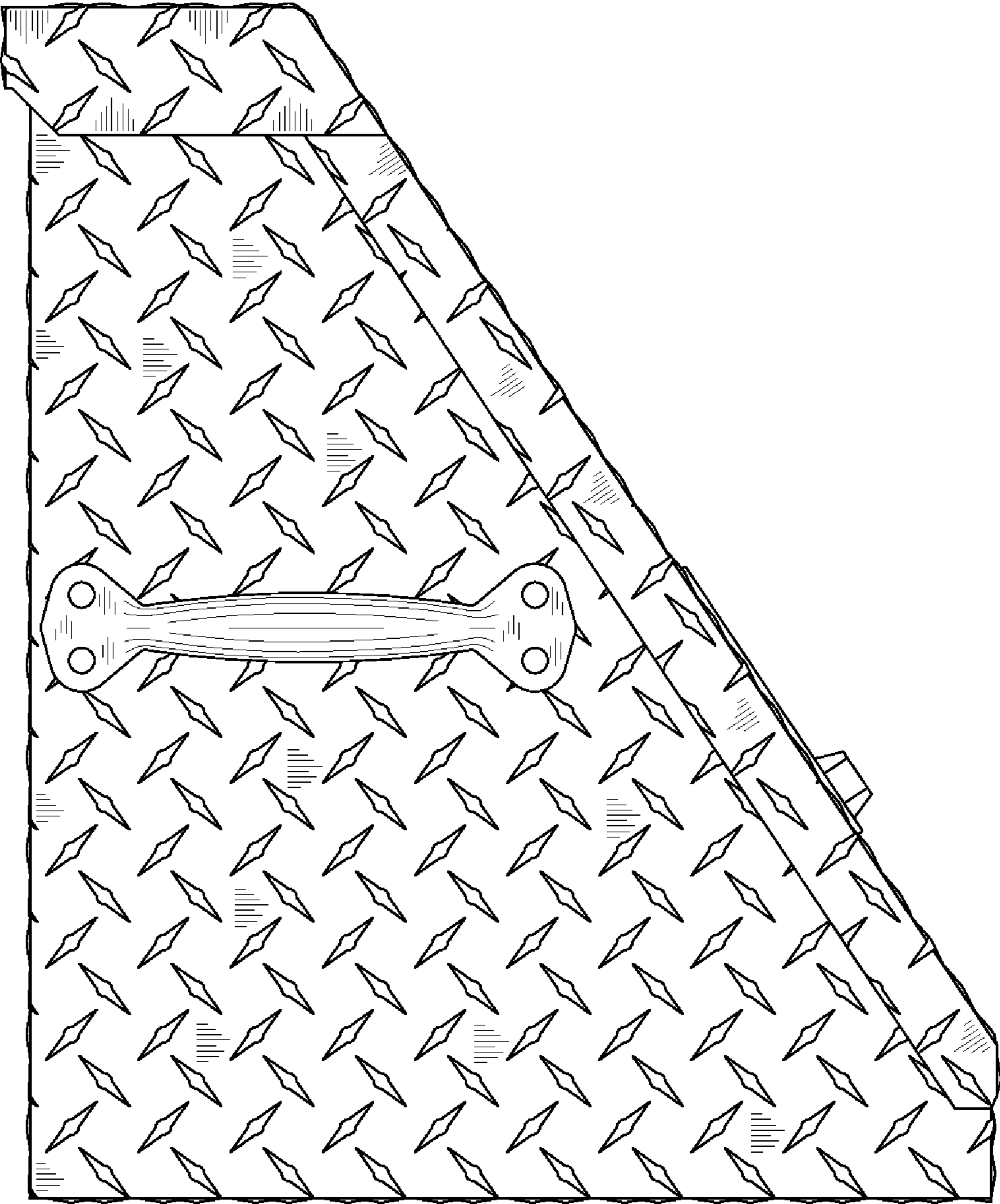


FIG. 6