



US00D630012S

(12) **United States Design Patent**
Pomerantz

(10) **Patent No.:** **US D630,012 S**

(45) **Date of Patent:** **** Jan. 4, 2011**

(54) **SPORT BELT**

(76) Inventor: **Shifra Pomerantz**, 17166 NE. 19th Ave.,
North Miami Beach, FL (US) 33162

(**) Term: **14 Years**

(21) Appl. No.: **29/363,880**

(22) Filed: **Jun. 15, 2010**

(51) **LOC (9) Cl.** **03-01**

(52) **U.S. Cl.** **D3/221**

(58) **Field of Classification Search** D3/226,
D3/215, 218–219, 224, 228, 212, 232–233,
D3/247–249, 221, 230; 224/667, 669, 676–677,
224/934, 901, 240–241, 269, 683–684, 587,
224/660, 664; 383/59–61, 61.2, 69, 85; D2/625–629
See application file for complete search history.

(56) **References Cited**

U.S. PATENT DOCUMENTS

D334,471 S * 4/1993 Yerby et al. D3/226
D448,925 S * 10/2001 Willows et al. D3/226
D458,021 S * 6/2002 Willows et al. D3/226

D490,239 S * 5/2004 Wagner, II D3/226
D497,715 S * 11/2004 Saltarelli D3/226

* cited by examiner

Primary Examiner—Catherine R Oliver

(74) *Attorney, Agent, or Firm*—Antonio R. Durando

(57) **CLAIM**

The ornamental design for a sport belt, as shown and described.

DESCRIPTION

FIG. 1 is a perspective view of a sport belt showing my design;

FIG. 2 is a top plan view thereof;

FIG. 3 is a bottom plan view thereof;

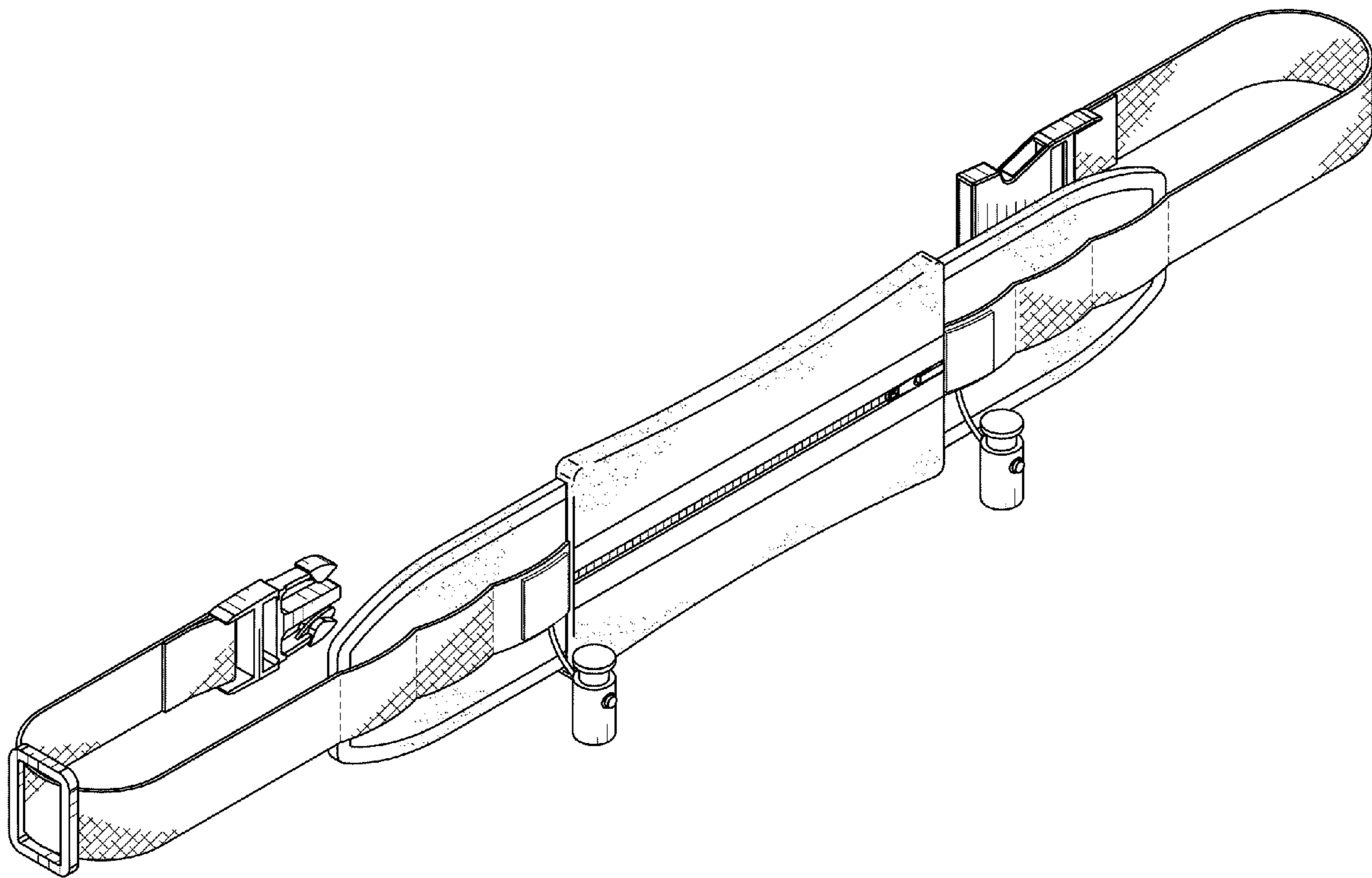
FIG. 4 is a left elevational view thereof;

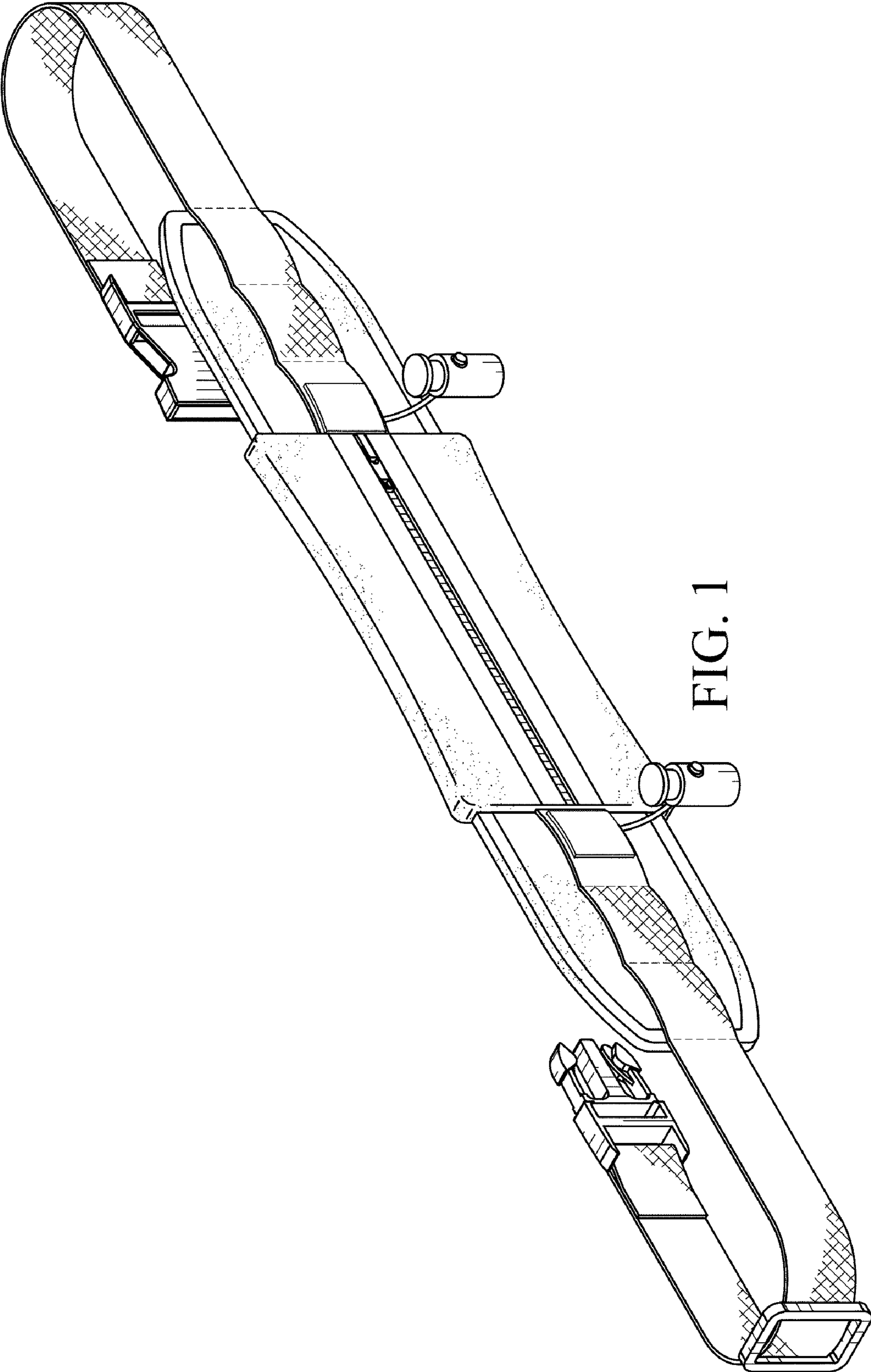
FIG. 5 is a right elevational view thereof;

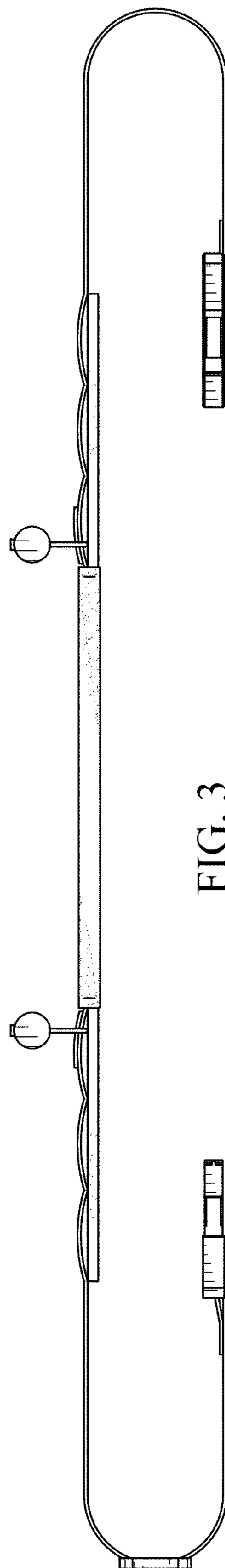
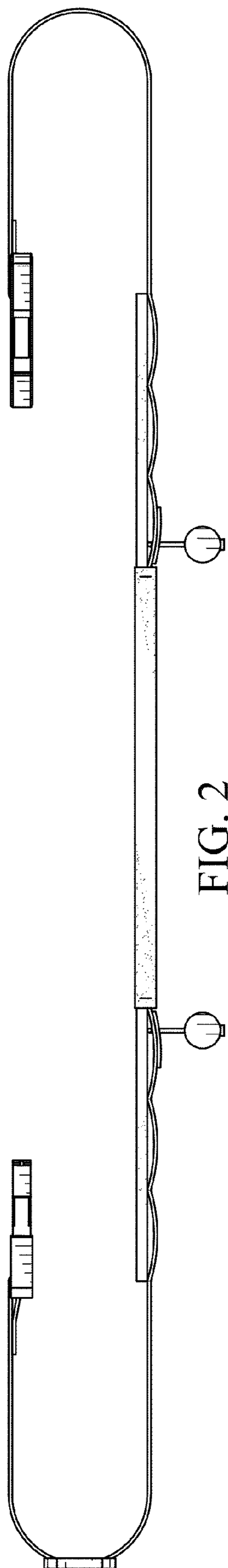
FIG. 6 is a front elevational view thereof; and,

FIG. 7 is a rear elevational view thereof.

1 Claim, 4 Drawing Sheets







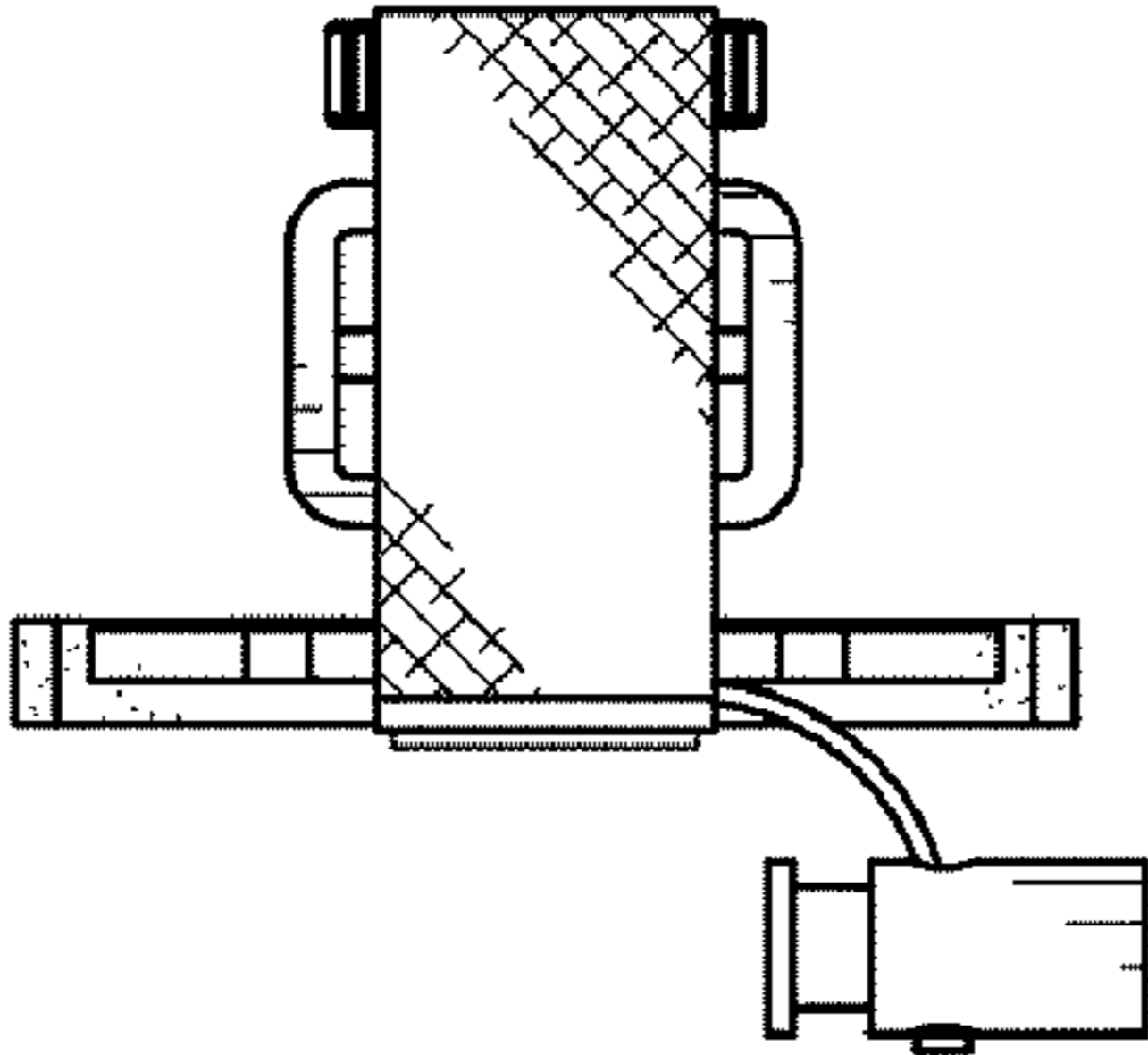


FIG. 5

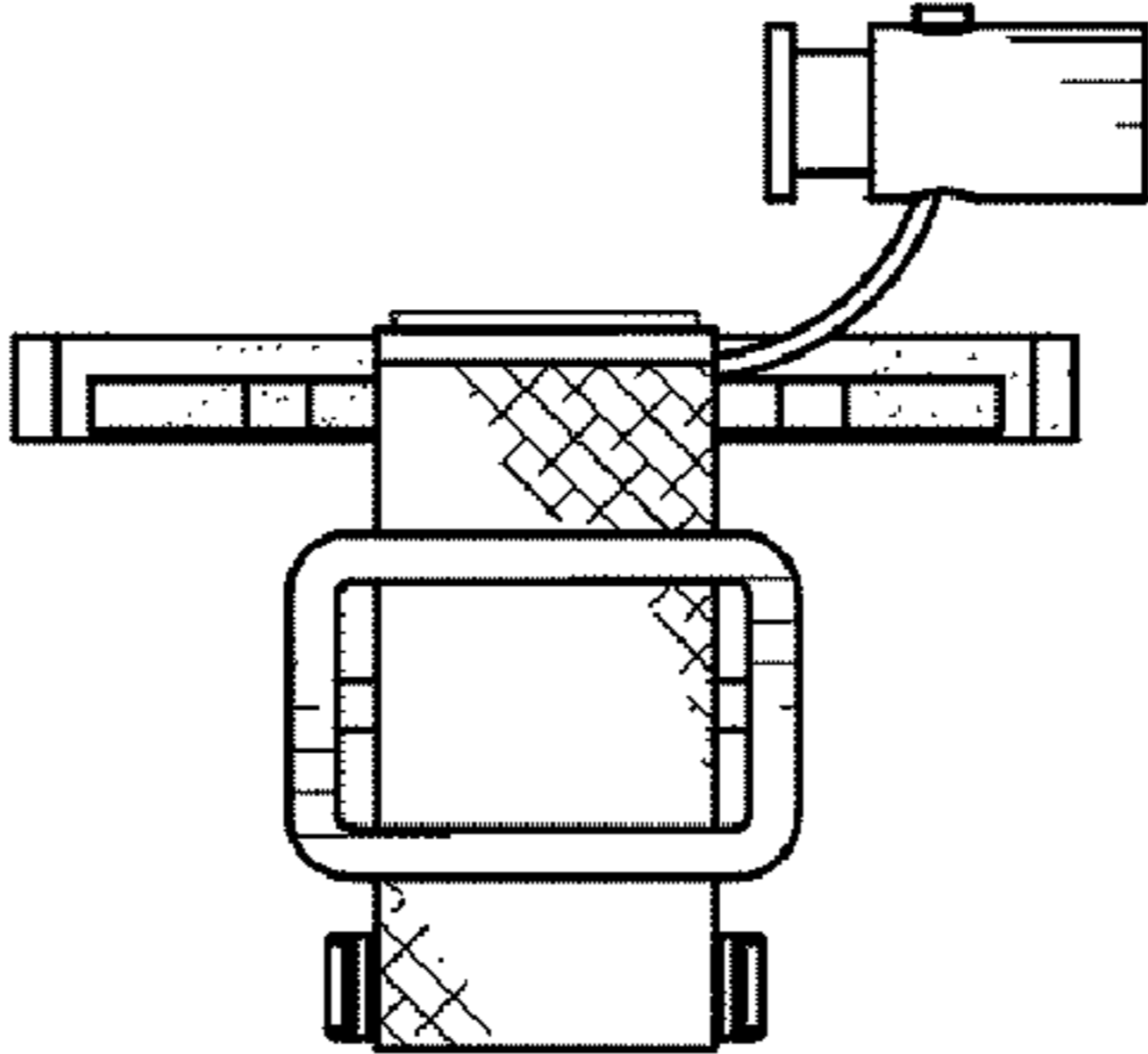


FIG. 4

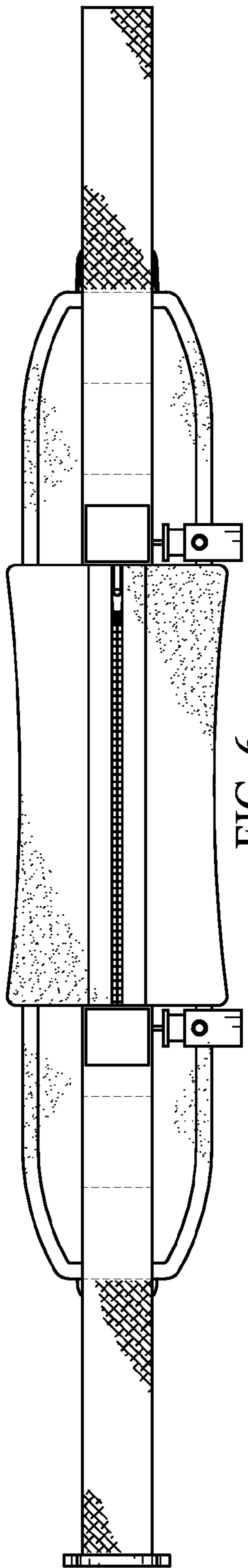


FIG. 6

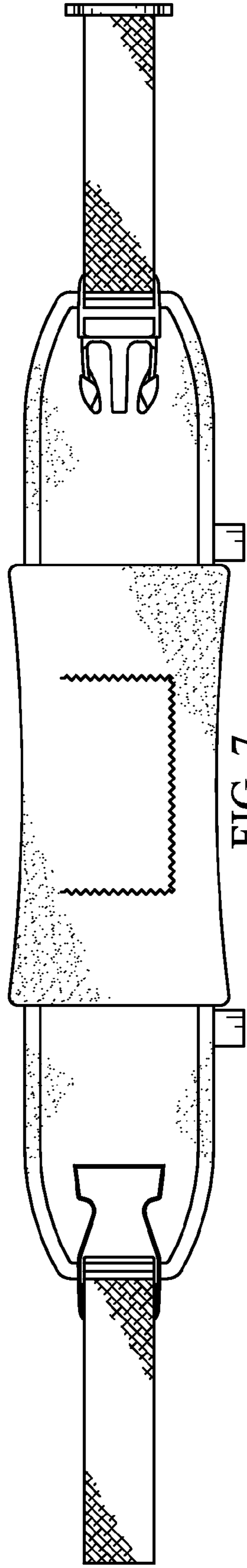


FIG. 7