



(12) **United States Design Patent**
Brown

(10) **Patent No.:** **US D630,010 S**
(45) **Date of Patent:** **** Jan. 4, 2011**

(54) **LENS CLEANING KIT**

Primary Examiner—Paula Greene

(75) **Inventor:** **Robert L. Brown**, Coalville, UT (US)

(74) *Attorney, Agent, or Firm*—Wegman, Hessler & Vanderburg

(73) **Assignee:** **Opticlean, LLC**, Coalville, UT (US)

(**) **Term:** **14 Years**

(57) **CLAIM**

(21) **Appl. No.:** **29/316,289**

The ornamental design for a lens cleaning kit, as shown and described.

(22) **Filed:** **Sep. 10, 2009**

(51) **LOC (9) Cl.** **03-01**

(52) **U.S. Cl.** **D3/208**

(58) **Field of Classification Search** D16/130;
D3/208, 229, 300, 265, 209, 205, 207, 212;
D9/504, 529; 132/315, 316; D28/73, 76
See application file for complete search history.

DESCRIPTION

(56) **References Cited**

U.S. PATENT DOCUMENTS

692,173	A *	1/1902	Wilber	40/660
2,006,773	A	7/1935	Moore et al.	
D114,210	S *	4/1939	Florman	D3/209
D121,541	S *	7/1940	Lipic, Jr.	D3/208
D129,716	S *	9/1941	Trollen	D3/208
2,458,015	A	1/1949	McDonald	
D156,228	S *	11/1949	Gaudriot	D3/208
D185,015	S *	4/1959	Maybrun	D3/300
3,099,272	A *	7/1963	Paradis	132/316
D243,975	S *	4/1977	Persson	D3/300
D262,497	S *	1/1982	Chan	D3/229
4,333,562	A *	6/1982	Todd	206/37
4,347,010	A	8/1982	Petkoff	
4,420,076	A *	12/1983	Beveridge et al.	206/37
D281,054	S *	10/1985	Menrad	D9/688

(Continued)

FOREIGN PATENT DOCUMENTS

DE 2732355 2/1979

(Continued)

FIG. 1 is an isometric view of the lens cleaning kit for cleaning of a variety of different lens types;

FIG. 2 is an exploded view of the lens cleaning kit;

FIG. 3 is a front side elevation of the lens cleaning kit;

FIG. 4 is a side elevation of the lens cleaning kit showing the right hand side of the lens cleaning kit;

FIG. 5 is a top plan view of the lens cleaning kit;

FIG. 6 is a bottom plan view of the lens cleaning kit;

FIG. 7 is a bottom view taken along the plane represented by the lines and arrows 7—7 in FIG. 2 in which the lens cleaning cloth is shown folded;

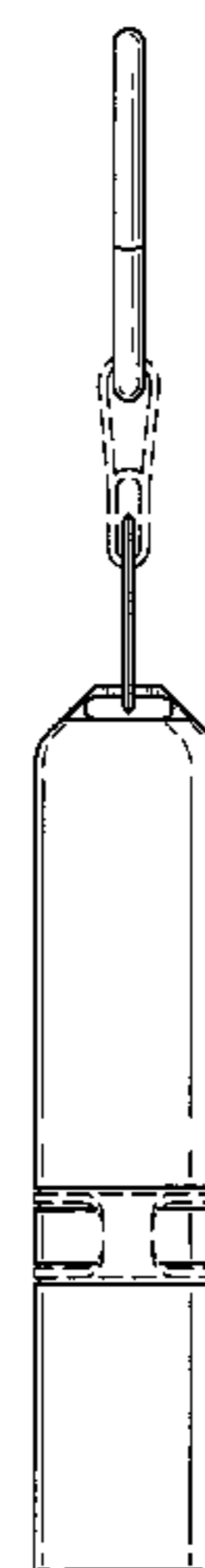
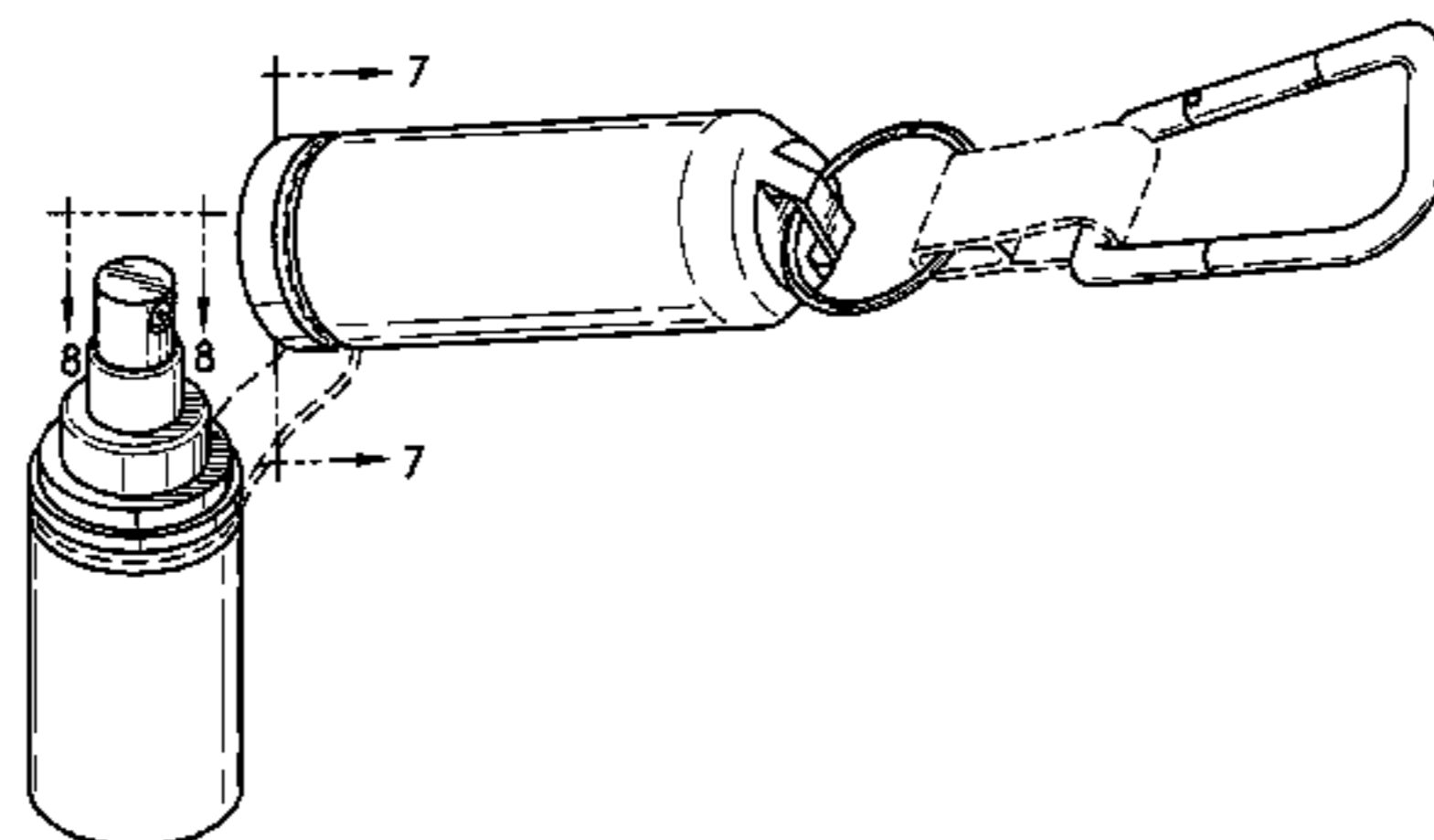
FIG. 8 is a top view taken along the plane represented by lines and arrows 8—8 in FIG. 2; and,

FIG. 9 is an exploded view of the lens cleaning kit in its disassembled condition and showing the lens cleaner solution container and cleaning cloth that are a part of the lens cleaning kit.

Phantom lining, where utilized, is for illustrative purposes only and forms no part of the claimed design.

The broken lines form no part of the claimed design.

1 Claim, 6 Drawing Sheets



US D630,010 S

Page 2

U.S. PATENT DOCUMENTS

D284,421 S * 7/1986 Siris D3/229
4,818,134 A 4/1989 Tsai
4,854,449 A 8/1989 Fitzhugh
D304,878 S 12/1989 Persson
5,083,661 A 1/1992 Burwell
D346,119 S 4/1994 Weinstock
D347,297 S * 5/1994 Vesco D28/77
5,423,419 A 6/1995 Wentz et al.
D409,830 S * 5/1999 Stafford D3/208
6,145,655 A 11/2000 Tsai

6,170,651 B1 1/2001 Taormina
6,883,989 B2 4/2005 Kushner et al.
7,370,754 B2 5/2008 Kushner
D577,911 S 10/2008 Liebers
D602,247 S * 10/2009 Oas D3/208

FOREIGN PATENT DOCUMENTS

DE 3325744 1/1984
GB 2124404 2/1984

* cited by examiner

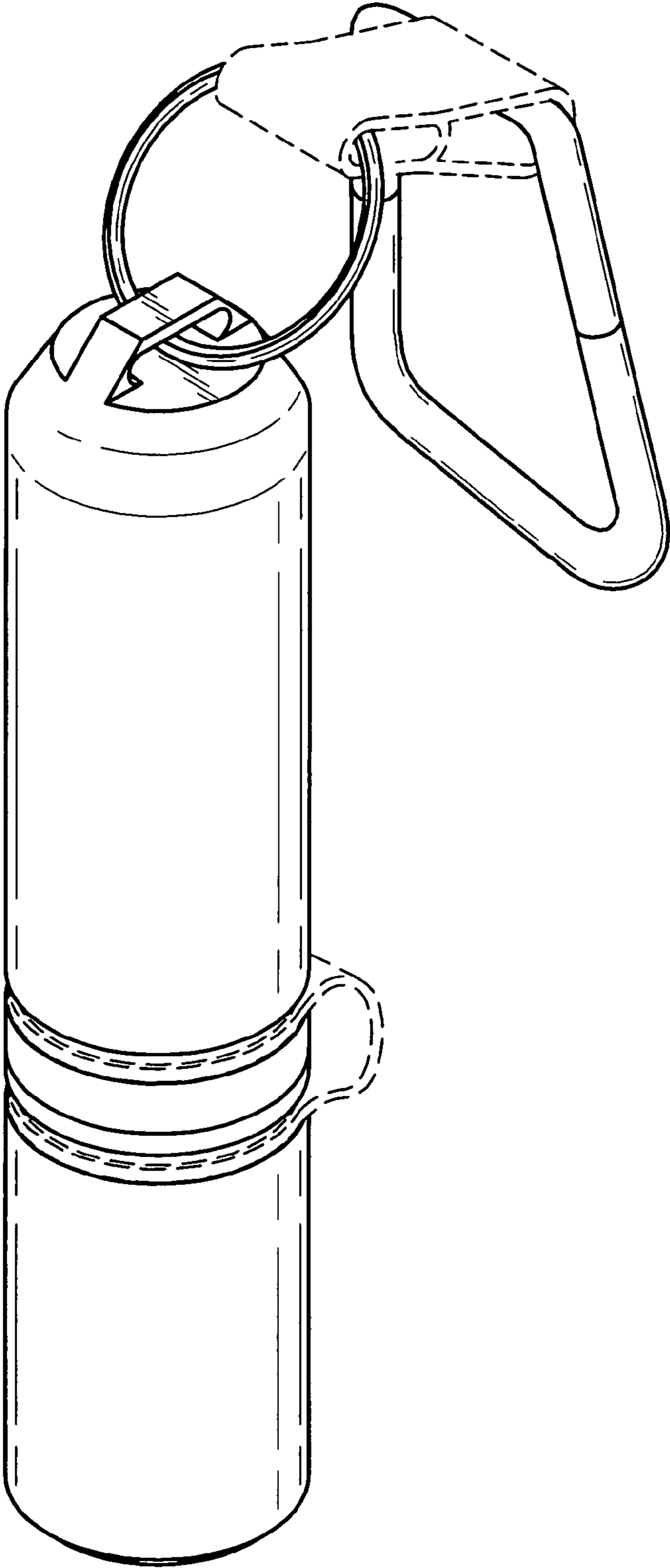


FIG.-1

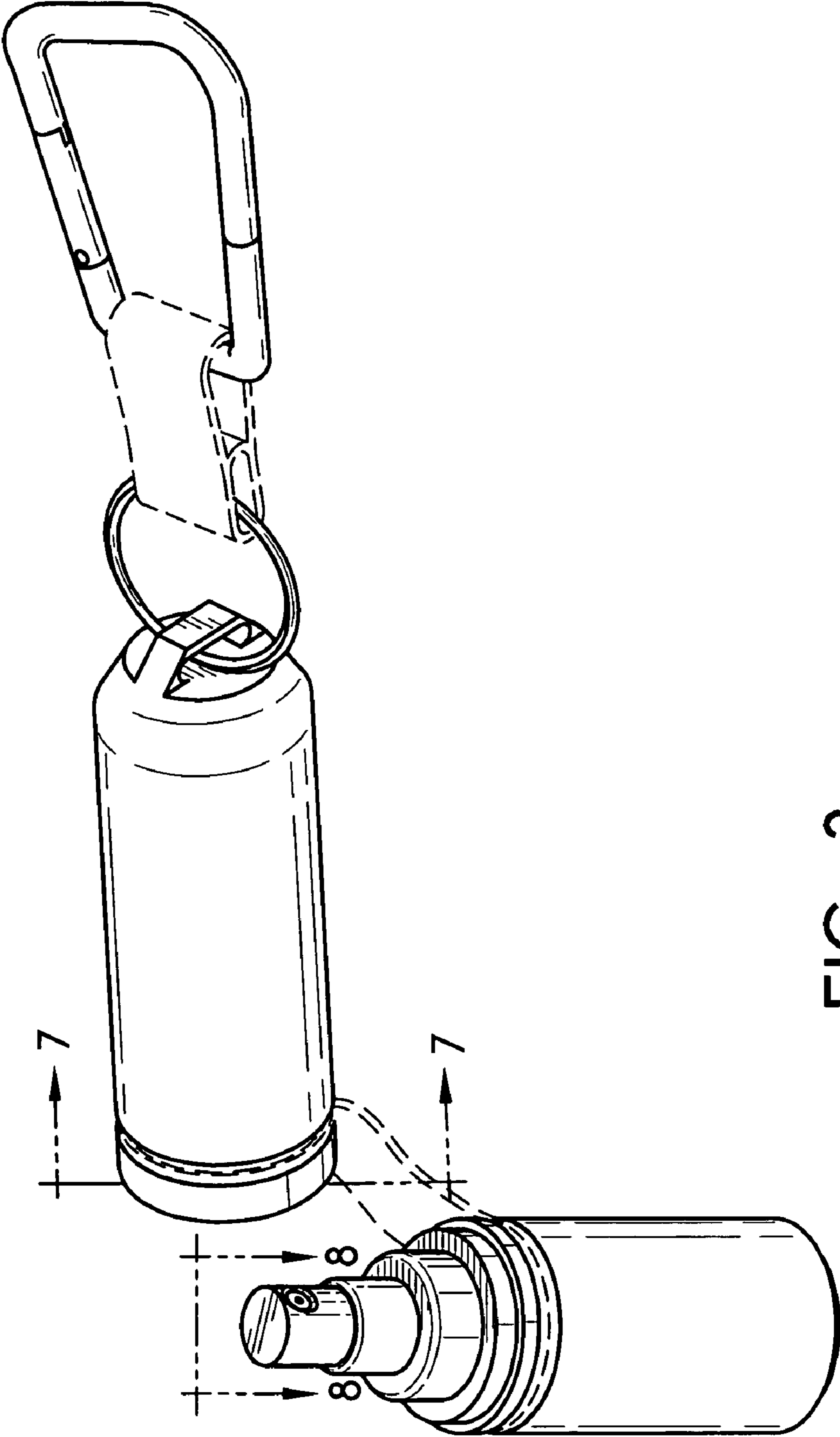


FIG.-2

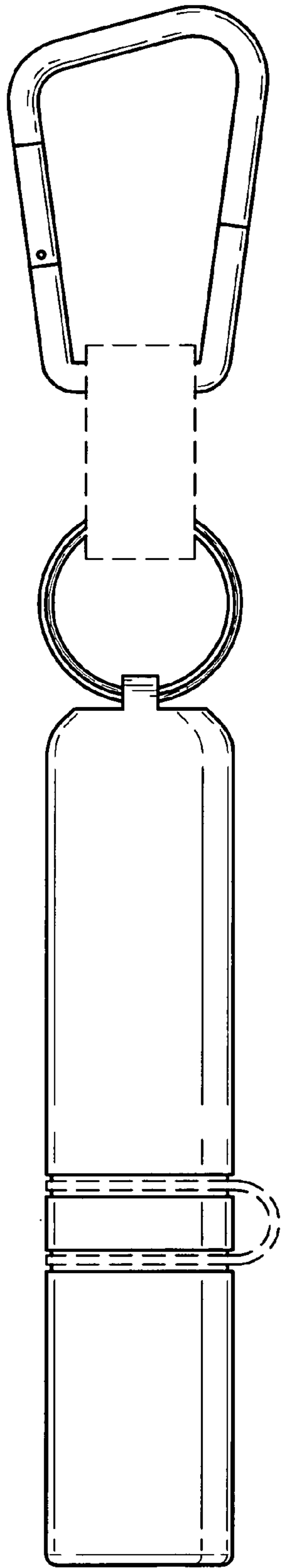


FIG.-3

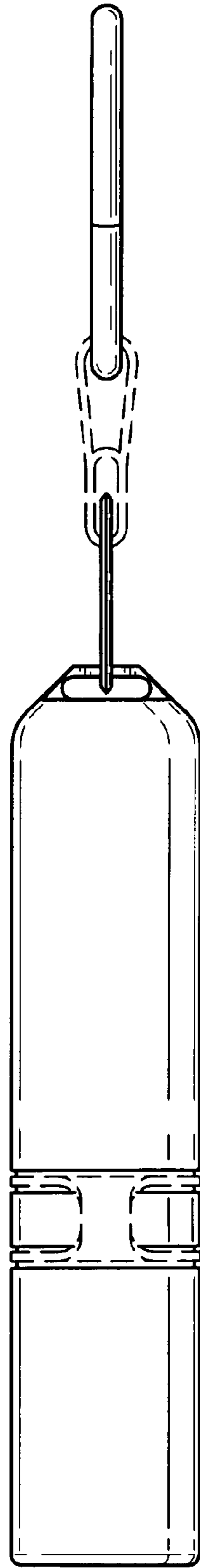


FIG.-4

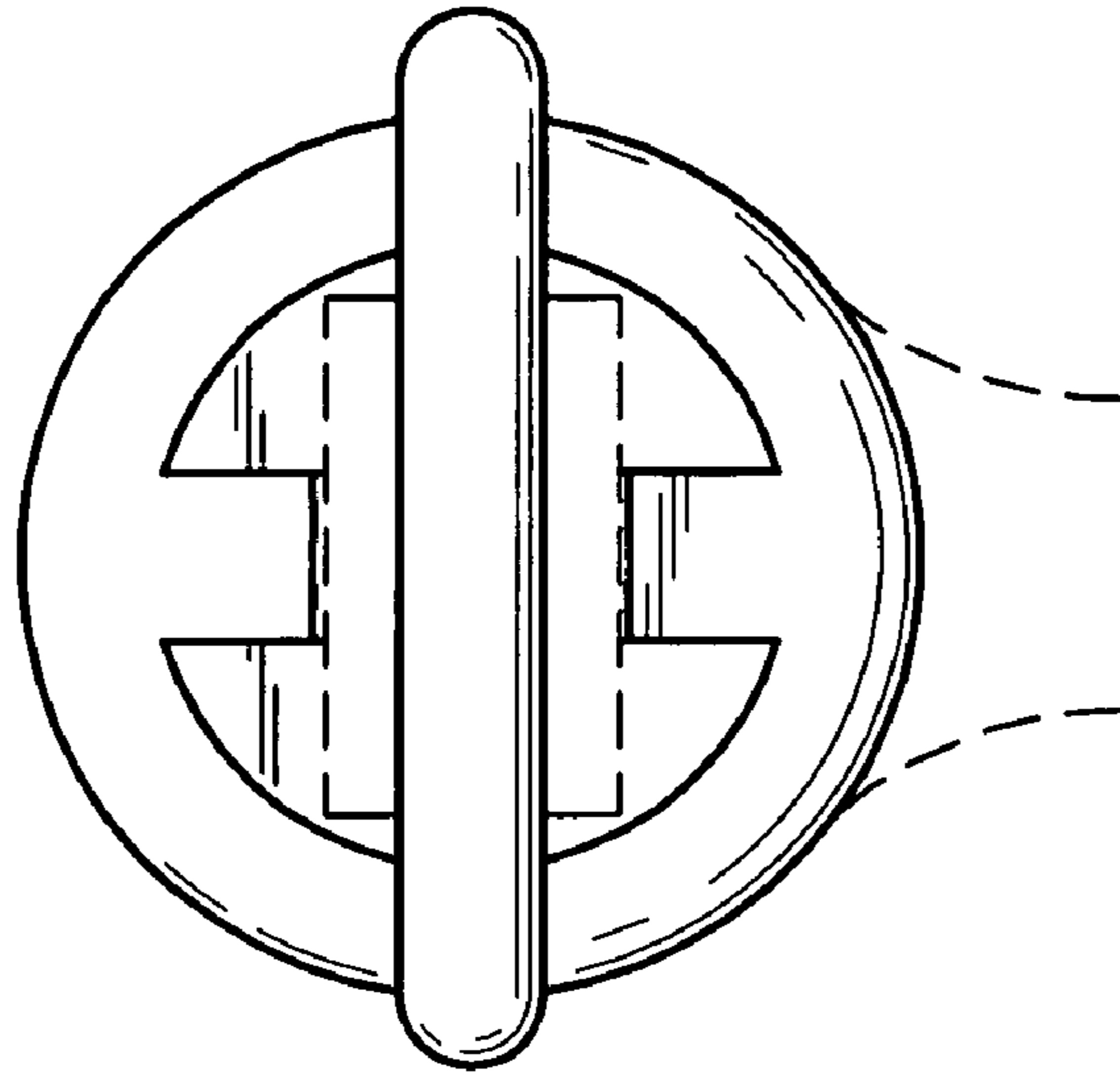


FIG.-5

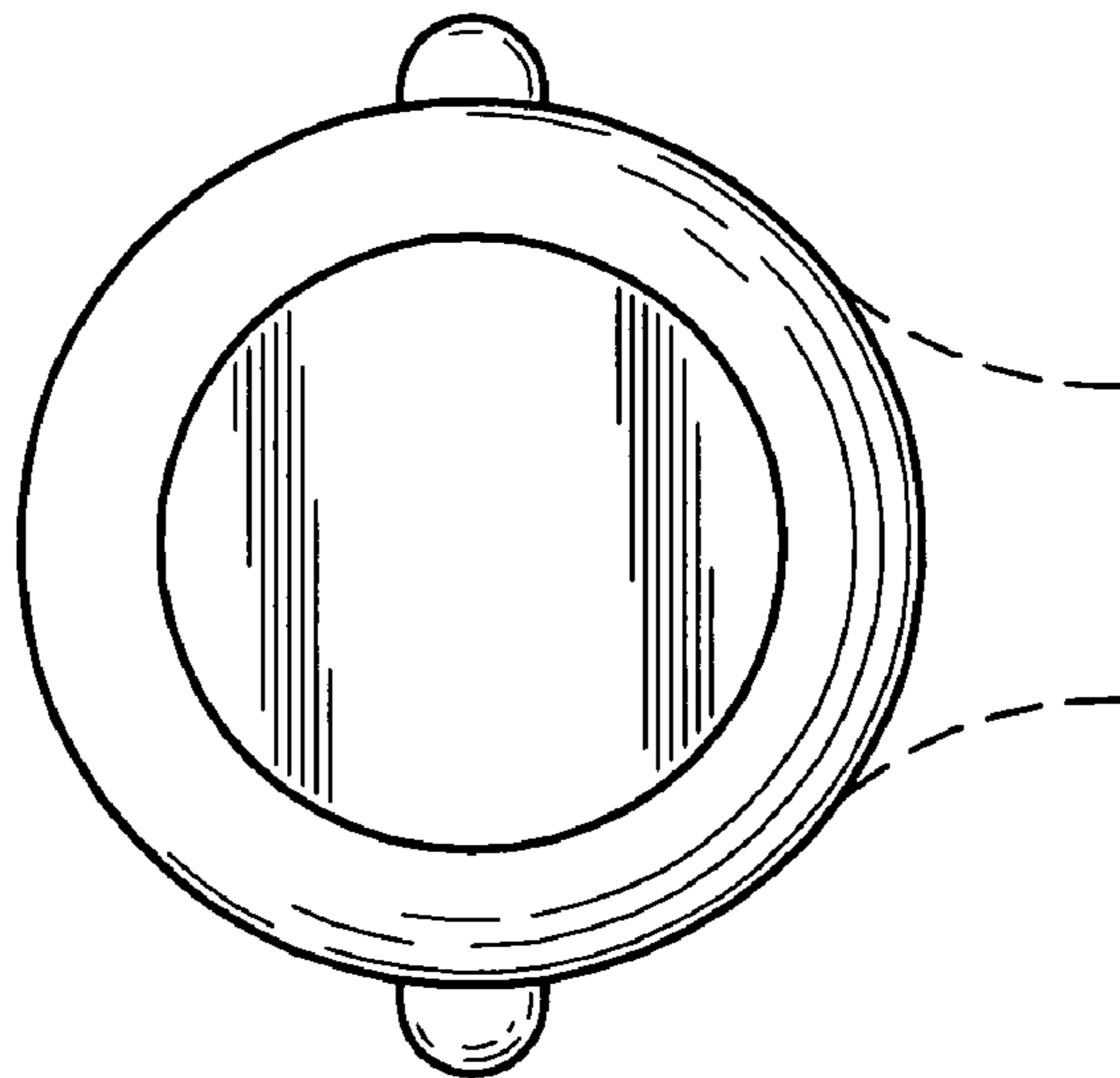


FIG.-6

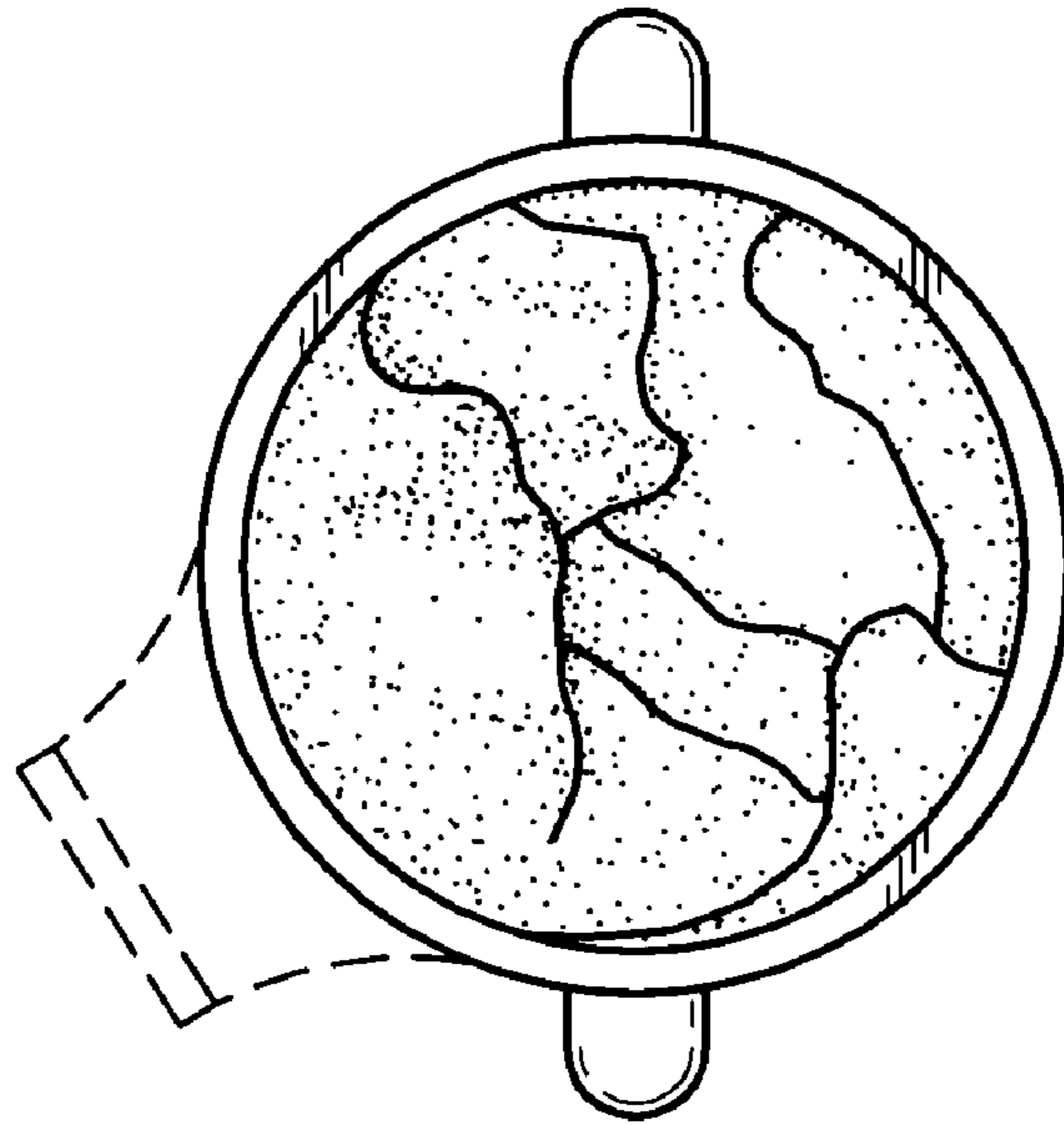


FIG.-7

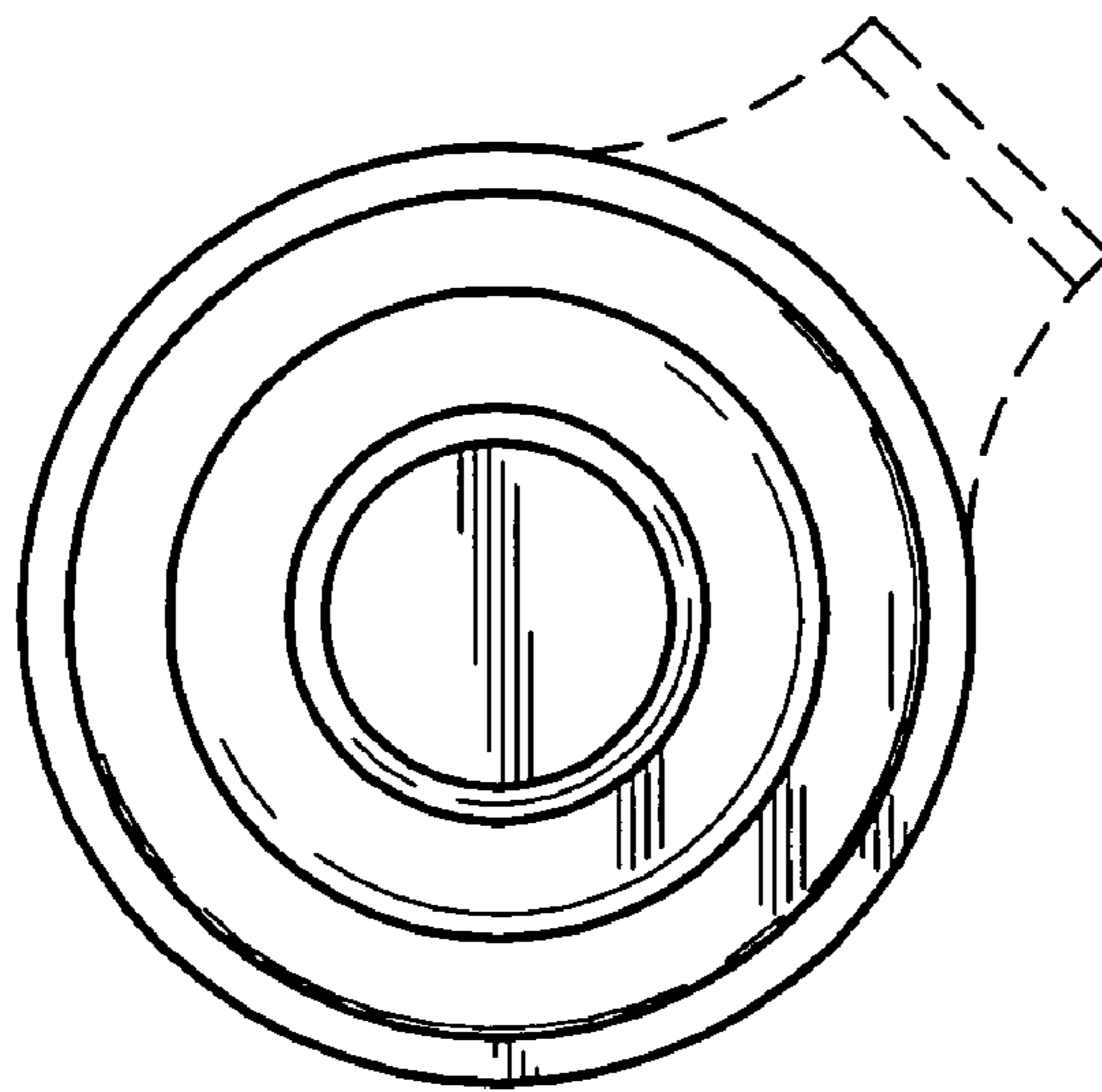


FIG.-8

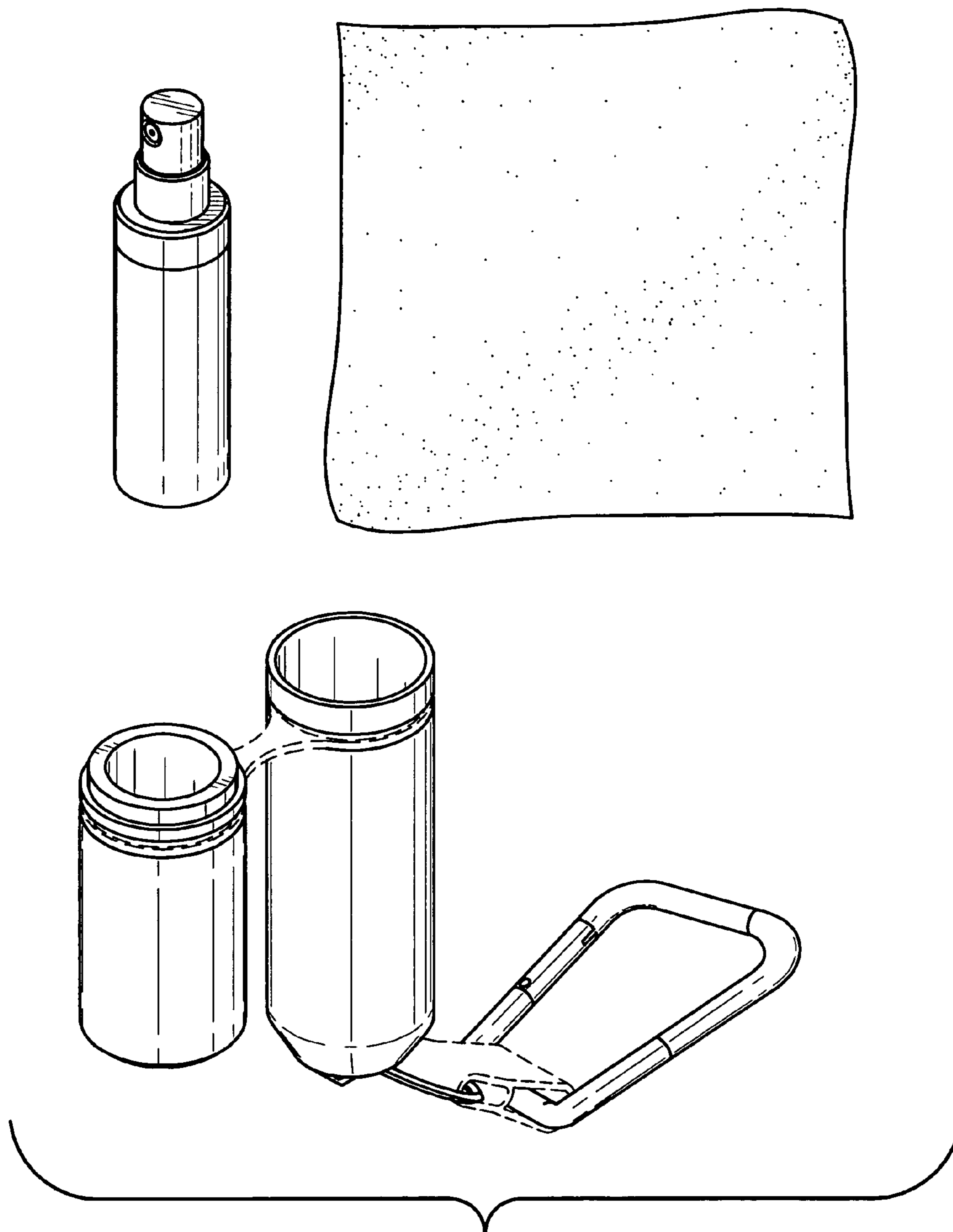


FIG.-9