



US00D630004S

(12) **United States Design Patent**
Martinez

(10) **Patent No.:** **US D630,004 S**

(45) **Date of Patent:** **** Jan. 4, 2011**

(54) **HEADWEAR CAP**

(76) **Inventor:** **Josué Fuentes Martinez**, Reforma #403
Oriente, Col. Centro San Pedro, Garza
Garcia, Nuevo León (MX) CP 66230

(**) **Term:** **14 Years**

(21) **Appl. No.:** **29/352,730**

(22) **Filed:** **Dec. 23, 2009**

(30) **Foreign Application Priority Data**

Jun. 23, 2009 (MX) MX/F/2009/001206

(51) **LOC (9) Cl.** **02-03**

(52) **U.S. Cl.** **D2/865**

(58) **Field of Classification Search** D2/865,
D2/866, 869, 872, 876, 877, 878, 882, 884,
D2/886; 2/171, 172, 175.1, 175.2, 175.3,
2/183, 195.2, 195.3, 195.4, 195.7, 200.1,
2/204, 209.12, 209.13

See application file for complete search history.

(56) **References Cited**

U.S. PATENT DOCUMENTS

36,549	A *	9/1862	Bryant	2/171.5
48,510	A *	7/1865	Bracher	2/200.1
338,003	A *	3/1886	Ward	2/172
D66,208	S *	12/1924	Poole	D2/877
1,533,624	A *	4/1925	Weinrott	2/171.5
1,563,693	A *	12/1925	Drucks	132/274
D74,406	S *	2/1928	Zernentsh	D2/876
RE17,268	E *	4/1929	Davidson	2/175.1
1,713,049	A *	5/1929	Millson	2/68
D174,517	S *	4/1955	Schwartz	D2/872

D291,381	S *	8/1987	Fender	D2/876
D364,727	S *	12/1995	Allgood	D2/882
D390,688	S *	2/1998	Cassels et al.	D2/882
D391,387	S *	3/1998	Pogrebitsky et al.	D2/876
D398,741	S *	9/1998	Ella	D2/887
6,463,592	B1 *	10/2002	Brooks	2/209.12
D538,011	S *	3/2007	Yan	D2/882
D568,029	S *	5/2008	Niles	D2/882
D587,879	S *	3/2009	Cho	D2/882
D592,382	S *	5/2009	Cho	D2/869
D607,629	S *	1/2010	Puangprasert	D2/886
2005/0108811	A1 *	5/2005	Gees	2/209.12
2008/0000013	A1 *	1/2008	Talley	2/171
2010/0017941	A1 *	1/2010	Taylor	2/171.3

* cited by examiner

Primary Examiner—Elizabeth A Albert

Assistant Examiner—Karen E Eldridge Powers

(74) *Attorney, Agent, or Firm*—Sound Intellectual Property PLLC

(57) **CLAIM**

I claim the ornamental design for a headwear cap, as shown and described.

DESCRIPTION

- FIG. 1 is a perspective view of a headwear cap;
- FIG. 2 is a front elevation view of a headwear cap;
- FIG. 3 is a rear elevation view of a headwear cap;
- FIG. 4 is a left side elevation view of a headwear cap;
- FIG. 5 is a right side elevation view of a headwear cap;
- FIG. 6 is a top plan view of a headwear cap; and,
- FIG. 7 is a bottom plan view of a headwear cap.

1 Claim, 3 Drawing Sheets

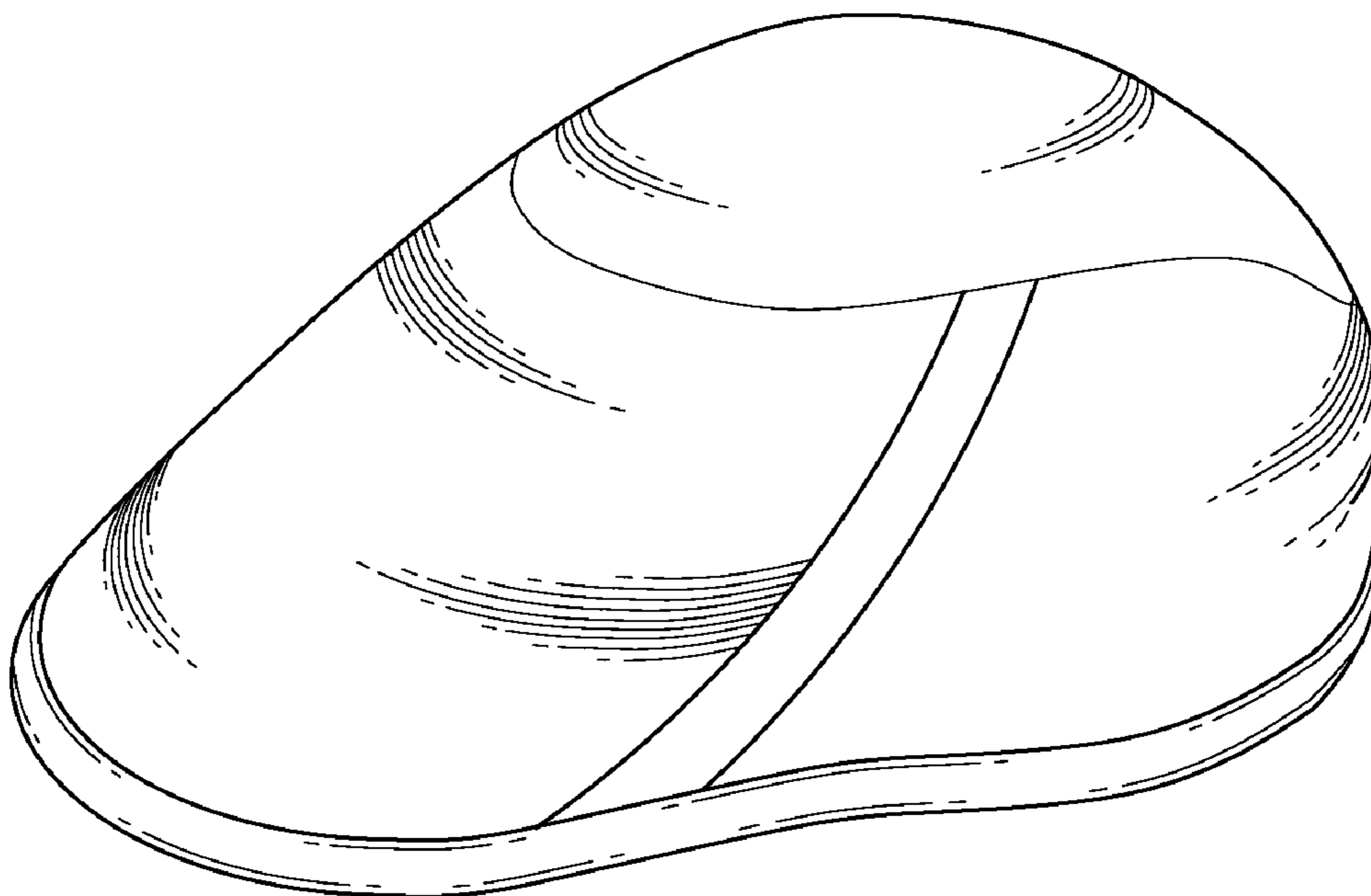


FIG. 1

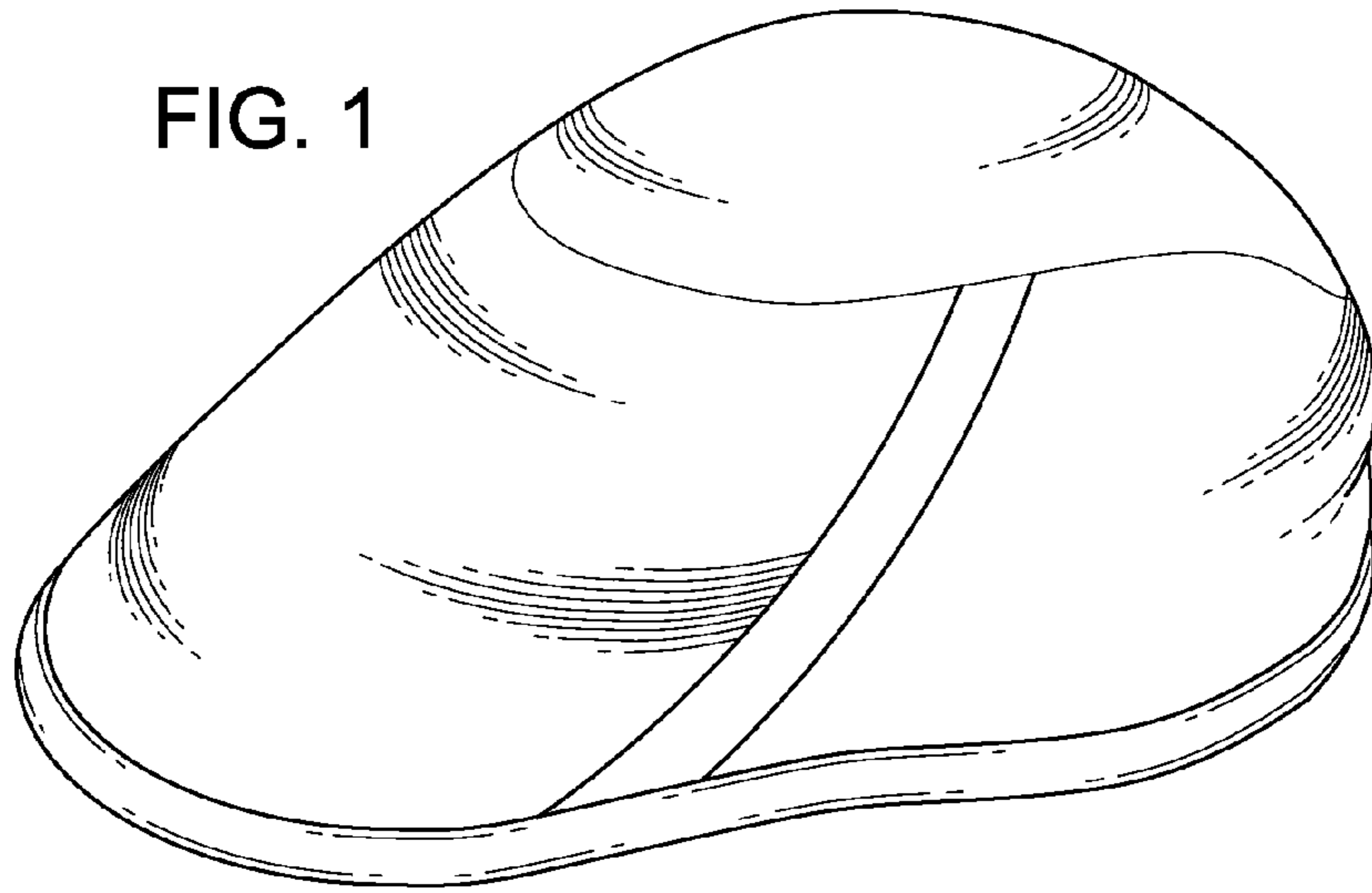


FIG. 2

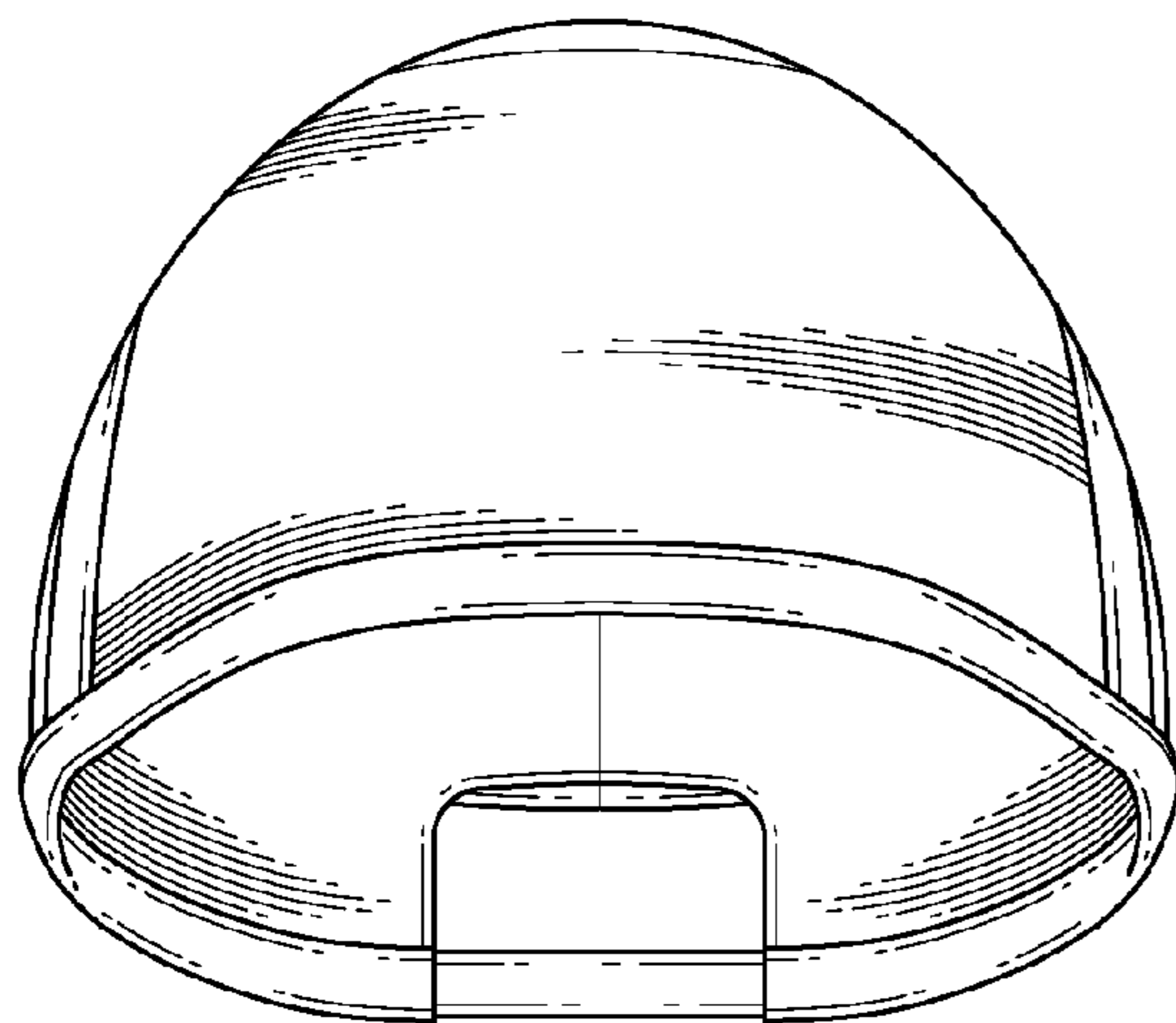


FIG. 3

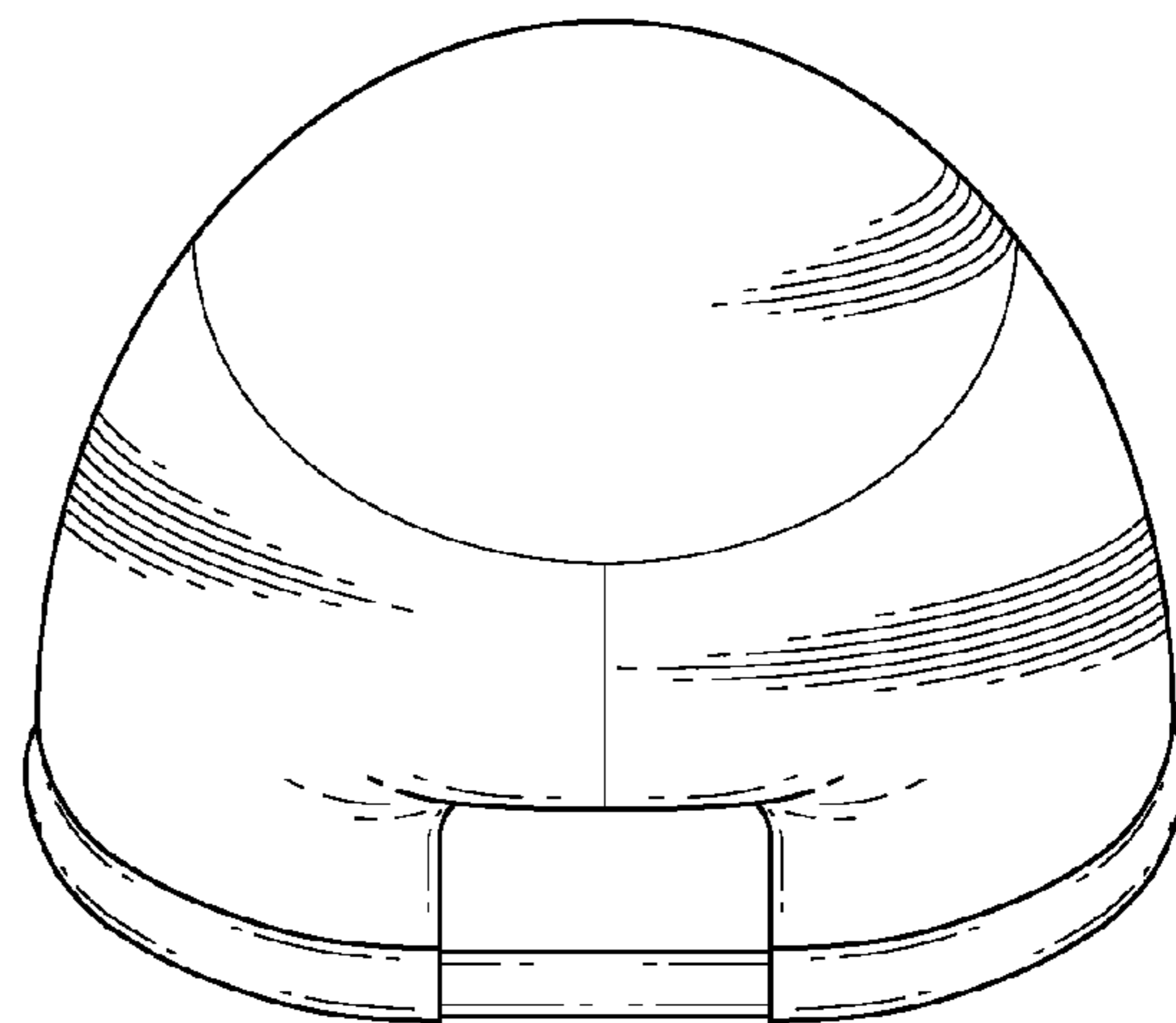


FIG. 4

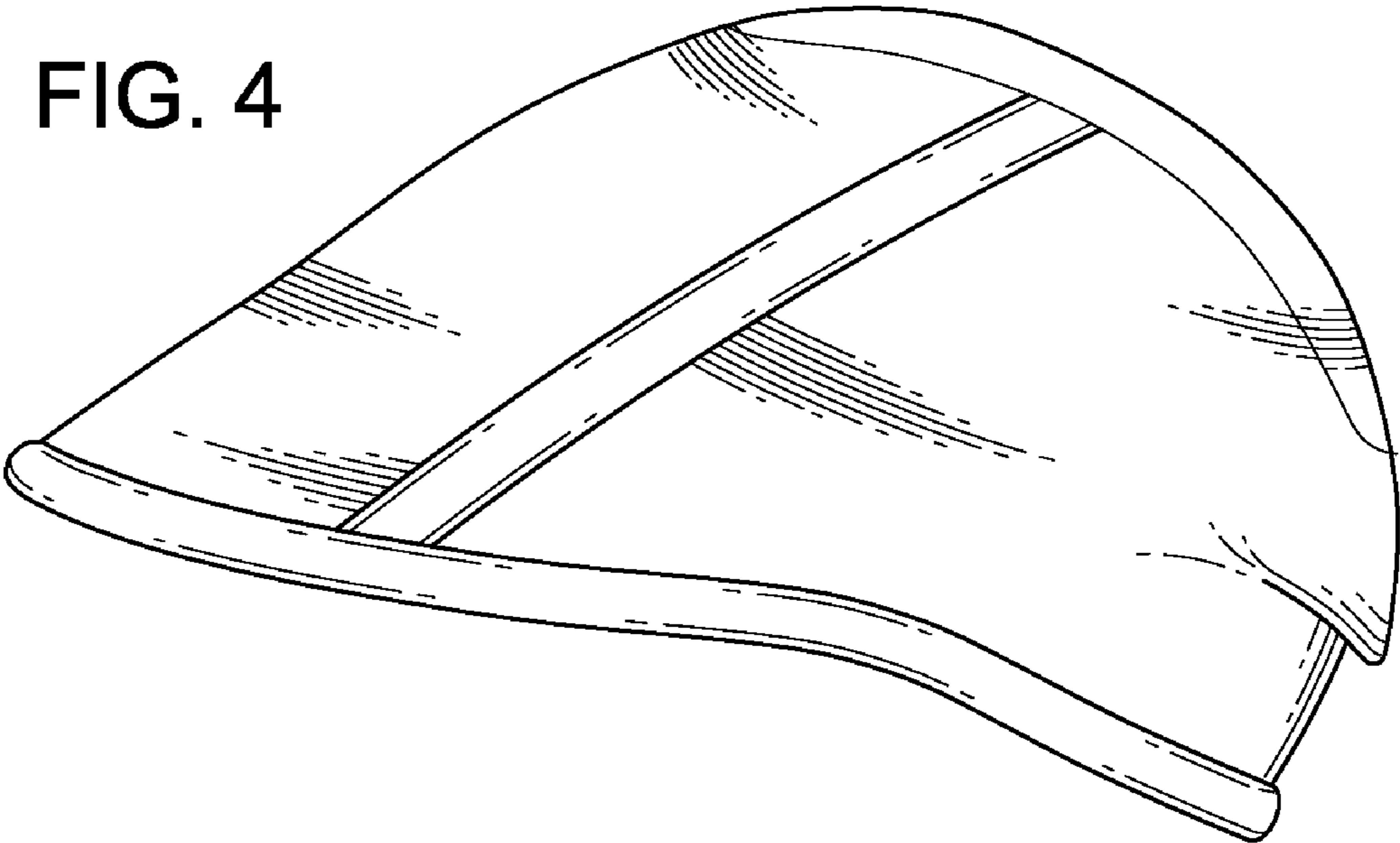


FIG. 5

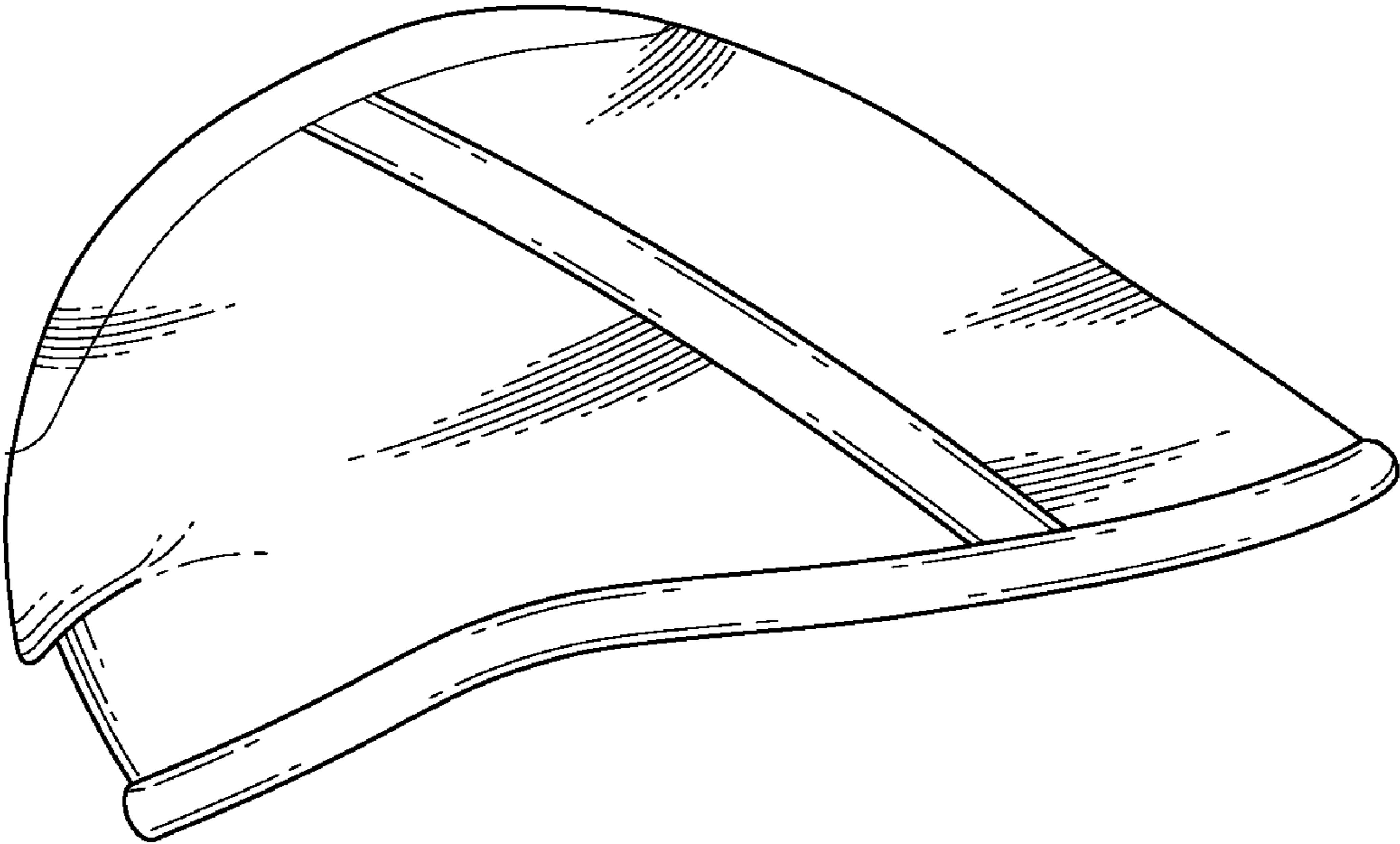


FIG. 6

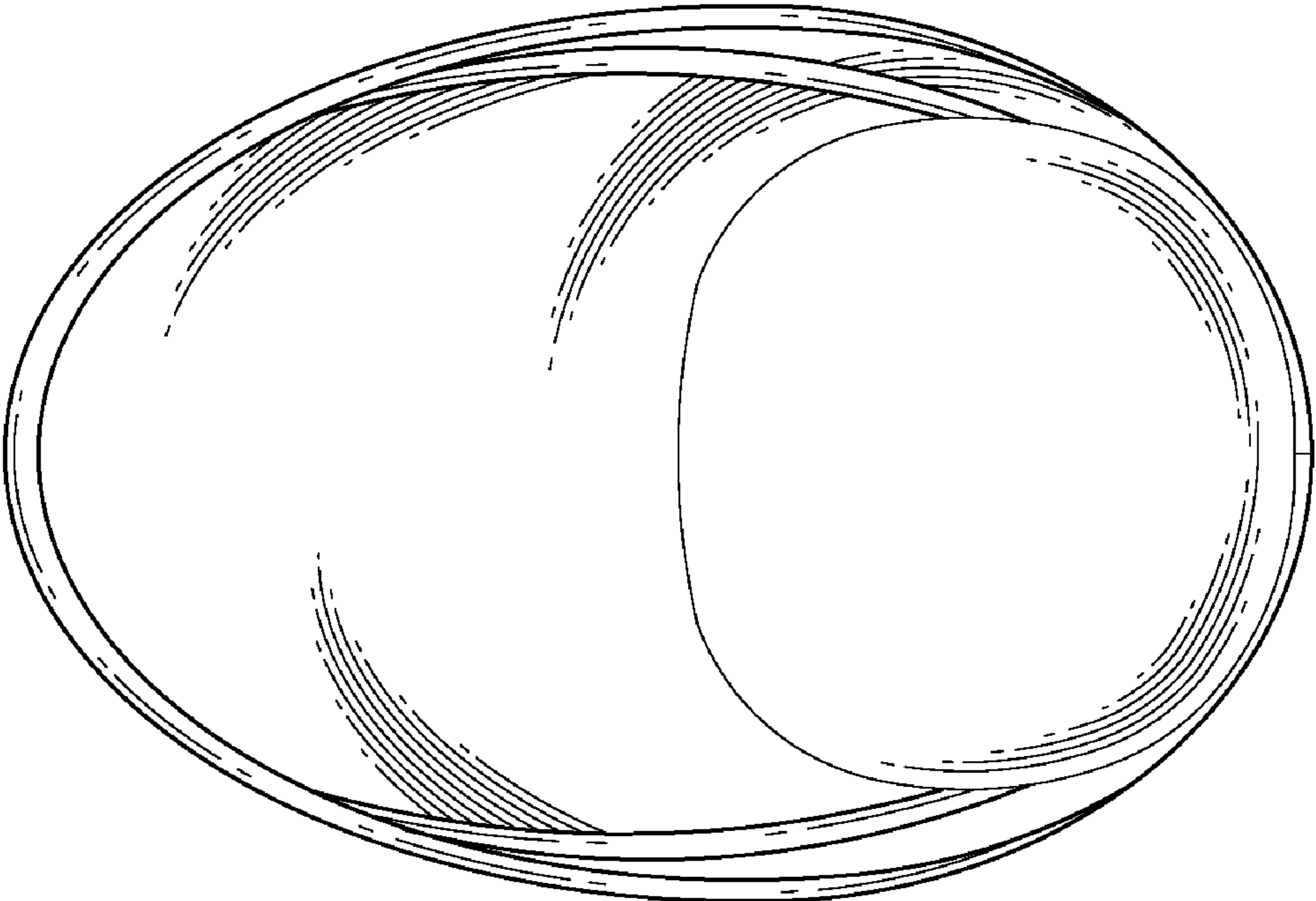


FIG. 7

