



US00D62995S

(12) **United States Design Patent**
Thurm

(10) **Patent No.:** **US D629,995 S**

(45) **Date of Patent:** **** Dec. 28, 2010**

(54) **MOTORCYCLE LIFT ACCESSORY DRAWER**

D596,823 S * 7/2009 Thurm D34/28

(76) Inventor: **Kenneth R. Thurm**, 2348 N. Rockridge Cir., Orange, CA (US) 92867

* cited by examiner

Primary Examiner—Cynthia E Ramirez

(74) *Attorney, Agent, or Firm*—Stetina Brunda Garred & Brucker

(**) Term: **14 Years**

(21) Appl. No.: **29/356,342**

(22) Filed: **Feb. 24, 2010**

(57) **CLAIM**

The ornamental design for a motorcycle lift accessory drawer, as shown and described.

(51) **LOC (9) Cl.** **12-05**

(52) **U.S. Cl.** **D34/35**

(58) **Field of Classification Search** D34/28,
D34/31, 32, 35; D12/101, 406, 408; 280/410,
280/402; 254/2 C, 8 R, 10 R, 45, 124, 88;
414/539, 540, 541, 678, 921

DESCRIPTION

See application file for complete search history.

FIG. 1 is a top perspective view of the motorcycle lift accessory drawer of the present invention showing my new design;

FIG. 2 is a bottom perspective view thereof;

FIG. 3 is a side elevational view, with the other side being a mirror image thereof;

FIG. 4 is a top plan view thereof;

FIG. 5 is a front elevational view thereof;

FIG. 6 is bottom plan view thereof; and,

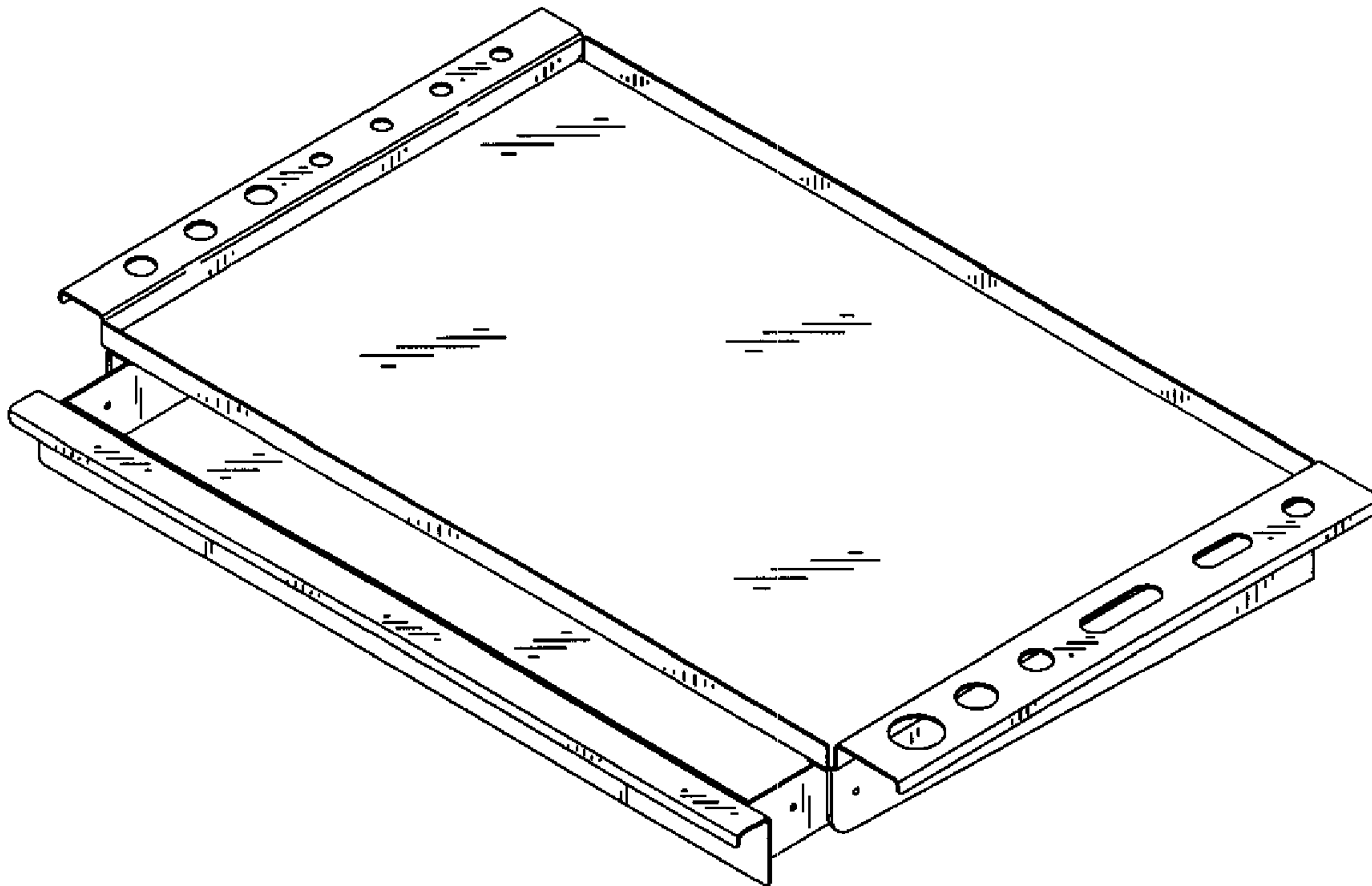
FIG. 7 is a rear elevational view thereof.

(56) **References Cited**

U.S. PATENT DOCUMENTS

4,681,299	A *	7/1987	Siebert	254/8 R
D349,802	S *	8/1994	Isogai	D34/31
D378,155	S *	2/1997	Bartow et al.	D34/28
6,092,787	A *	7/2000	Nayman	254/10 R
D468,512	S *	1/2003	Hernandez	D34/28
D586,524	S *	2/2009	Mertes	D34/28

1 Claim, 2 Drawing Sheets



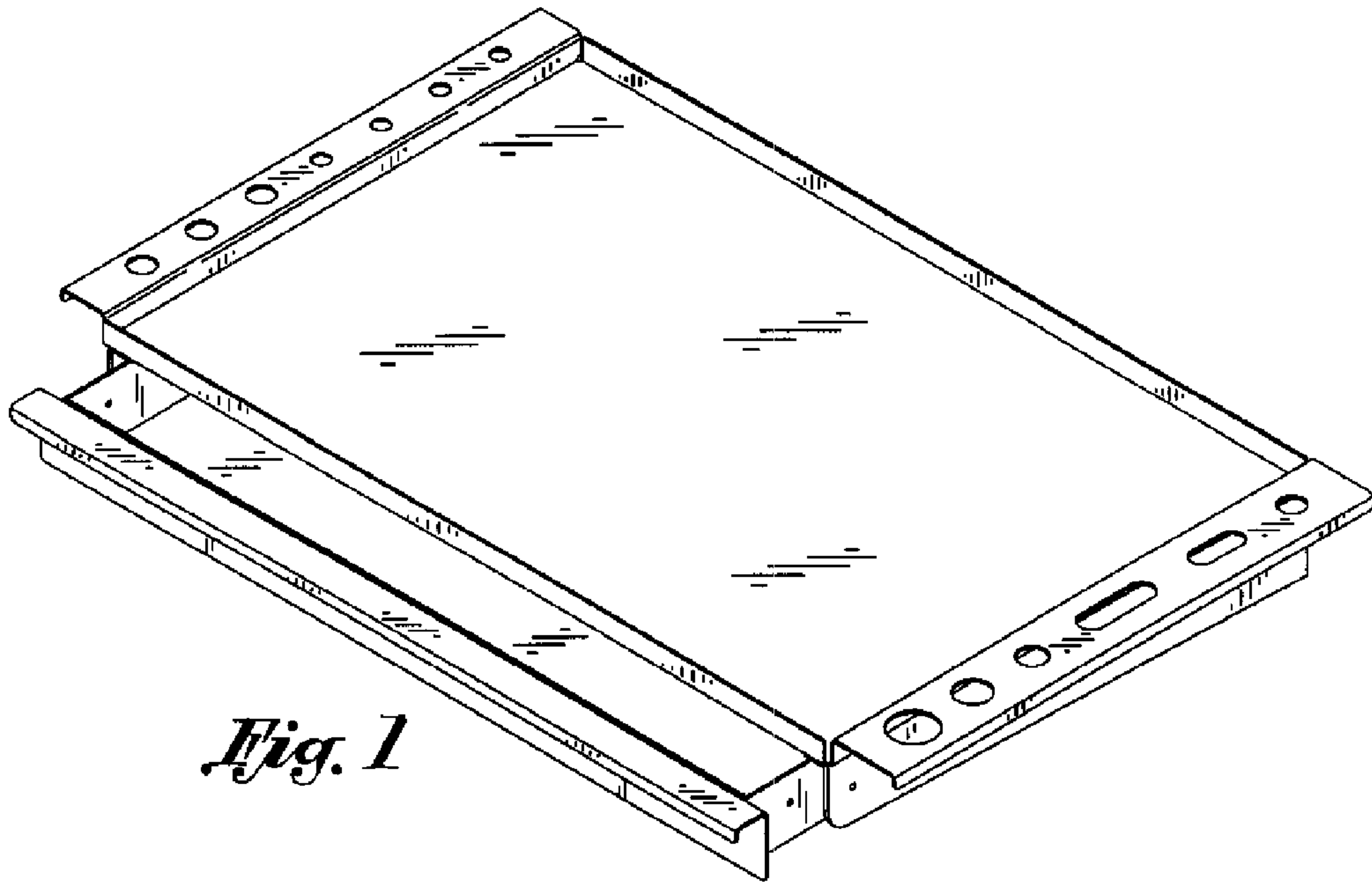


Fig. 1

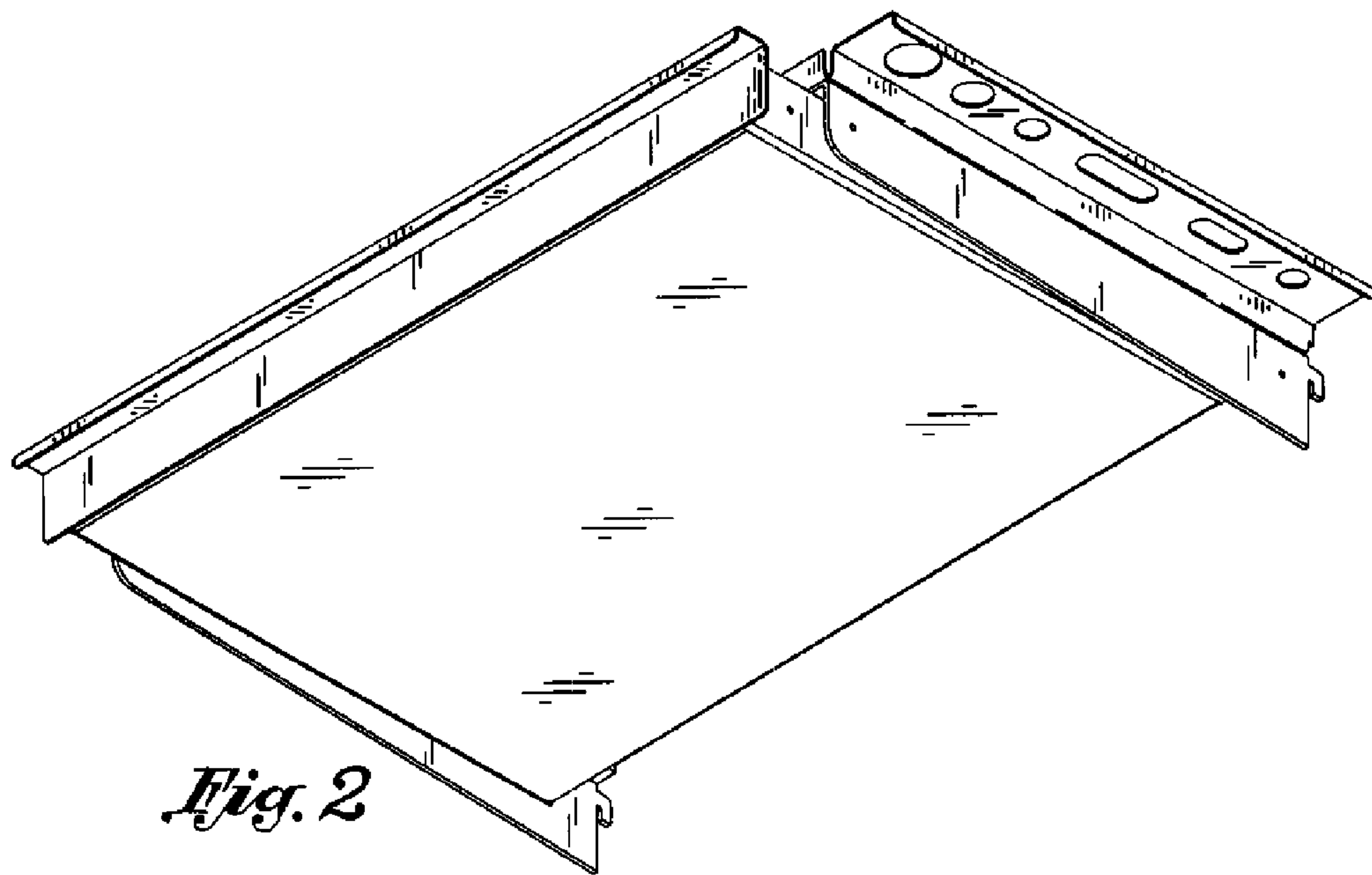


Fig. 2

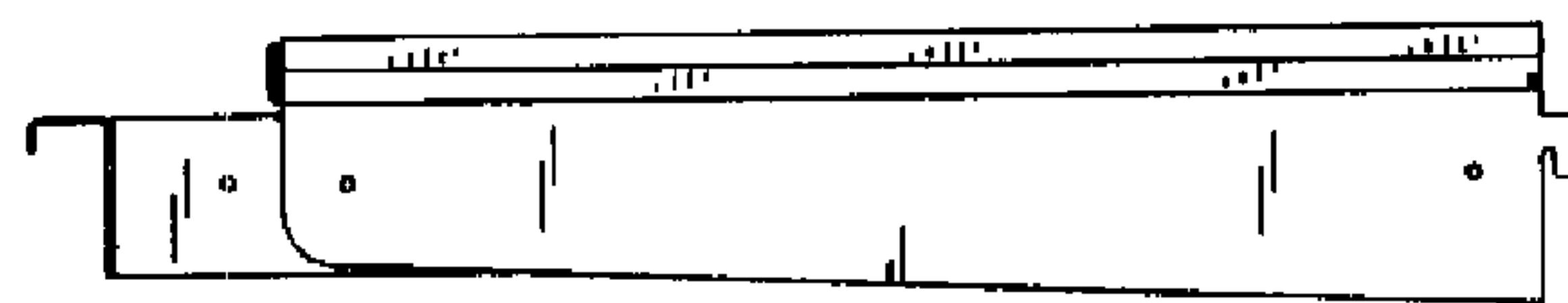


Fig. 3

Fig. 4

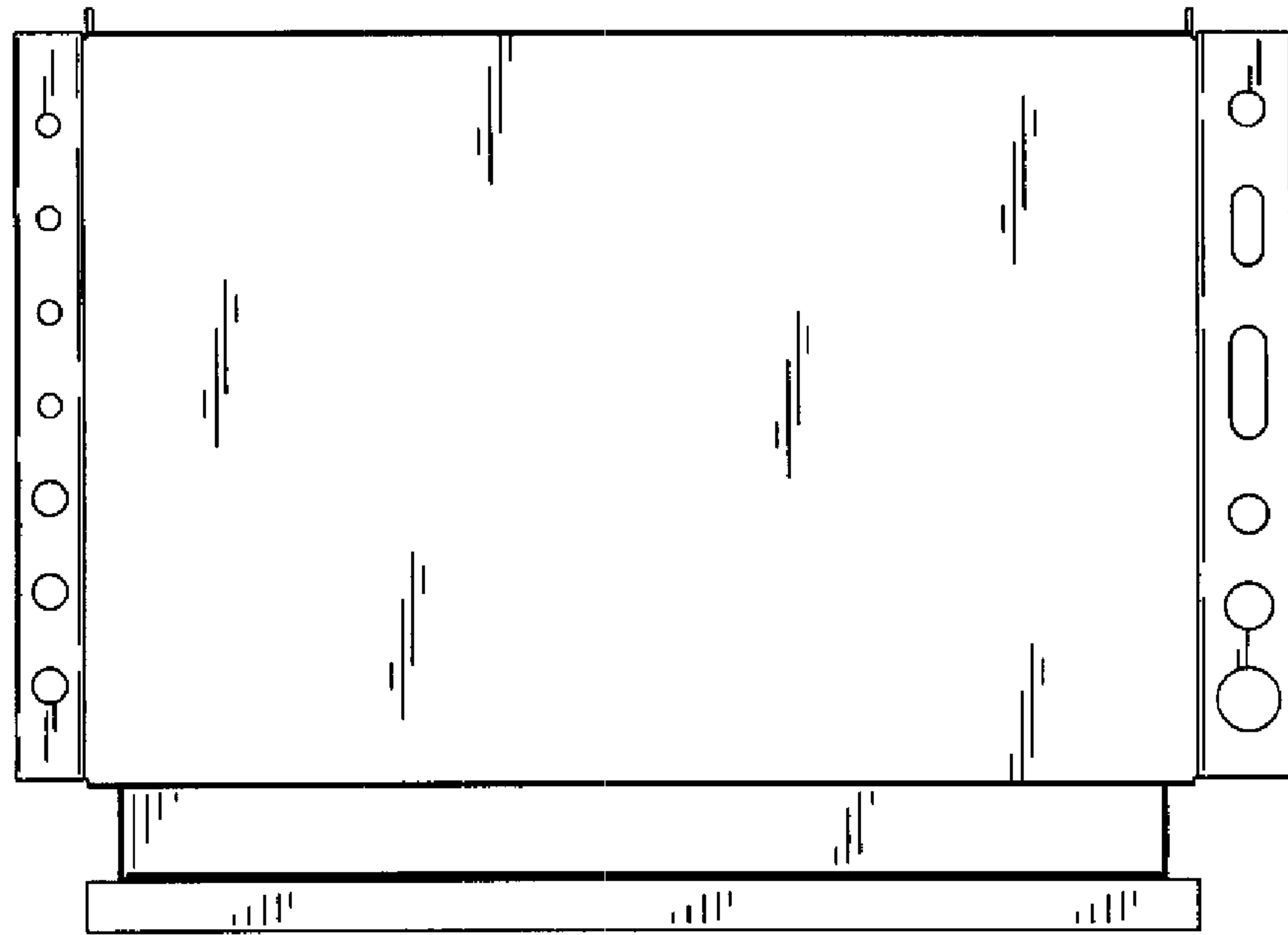


Fig. 5



Fig. 6

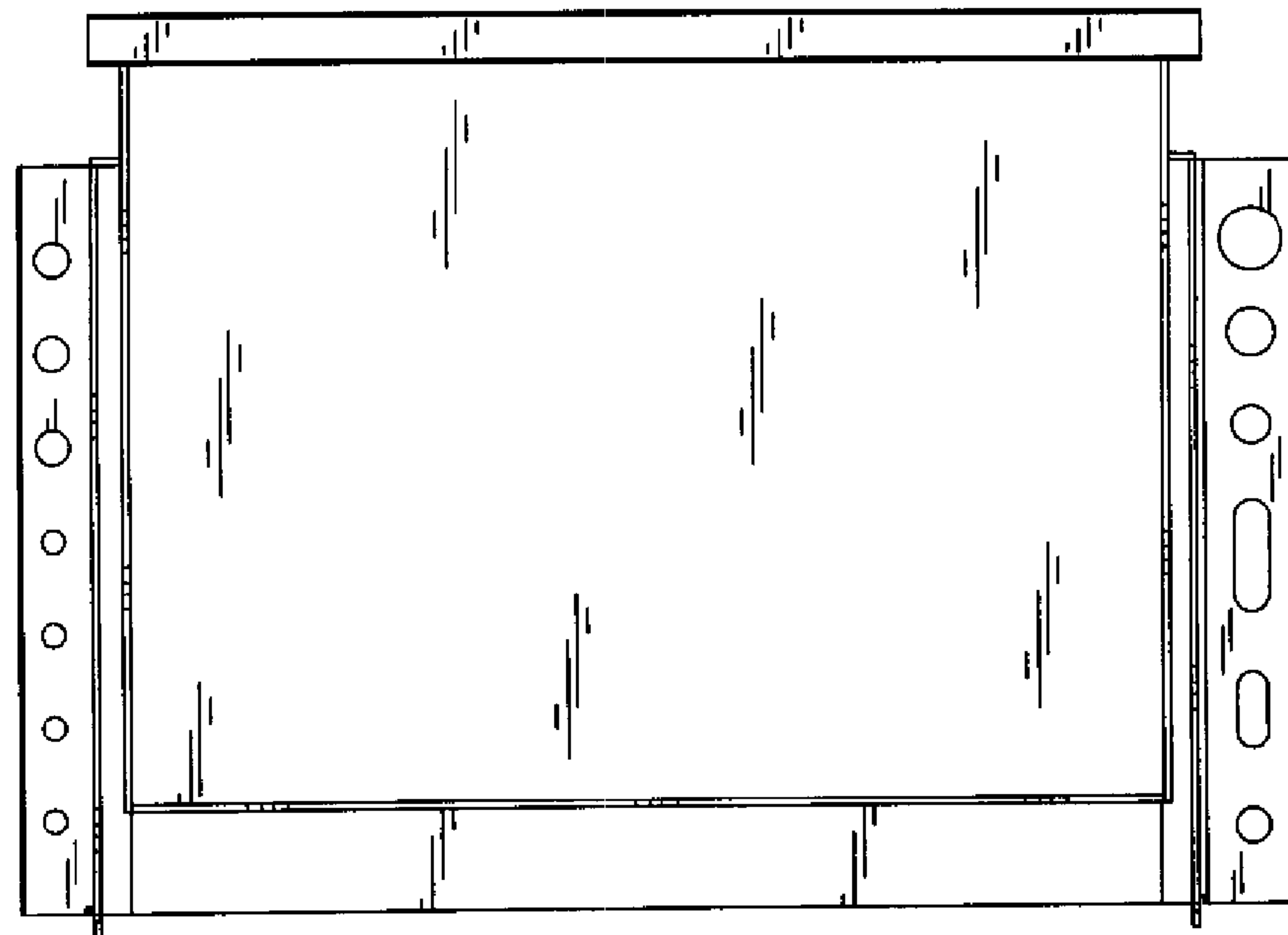


Fig. 7

