



US00D629993S

(12) **United States Design Patent**
Liao

(10) **Patent No.:** **US D629,993 S**

(45) **Date of Patent:** **** Dec. 28, 2010**

(54) **GOLF CART**

(75) Inventor: **Gordon Liao, Yung Kang (TW)**

(73) Assignee: **Unique Product & Design Co., Ltd.,
Yung Kang (TW)**

(**) Term: **14 Years**

(21) Appl. No.: **29/356,418**

(22) Filed: **Feb. 25, 2010**

(51) **LOC (9) Cl.** **12-13**

(52) **U.S. Cl.** **D34/15**

(58) **Field of Classification Search** D34/12-27;
280/DIG. 5, DIG. 6, 62, 47.19, 47.26, 47.17,
280/47.18, 47.24, 40, 30, 41, 646, 652, 47.22,
280/79.11; 180/19.3, 19.1, 65.6
See application file for complete search history.

(56) **References Cited**

U.S. PATENT DOCUMENTS

D459,996 S *	7/2002	Kuzma et al.	D9/549
6,698,789 B2 *	3/2004	Reimers et al.	280/651
D488,279 S *	4/2004	Wu	D34/15
D502,303 S *	2/2005	Wu	D34/15
6,969,078 B2 *	11/2005	Liao	280/38
7,000,928 B2 *	2/2006	Liao	280/38

7,128,333 B2 *	10/2006	Reimers et al.	280/651
D549,421 S *	8/2007	Liao	D34/15
D599,973 S *	9/2009	Liao	D34/15
D621,120 S *	8/2010	Liao	D34/15
2004/0135331 A1 *	7/2004	Liao	280/47.2
2008/0174090 A1 *	7/2008	Gross	280/646

* cited by examiner

Primary Examiner—Cynthia E Ramirez

(74) *Attorney, Agent, or Firm*—Alan Kamrath; Kamrath & Associates PA

(57) **CLAIM**

The ornamental design for a golf cart, as shown and described.

DESCRIPTION

FIG. 1 is a perspective view of a golf cart showing my new design;

FIG. 2 is a front elevational view thereof;

FIG. 3 is a rear elevational view thereof;

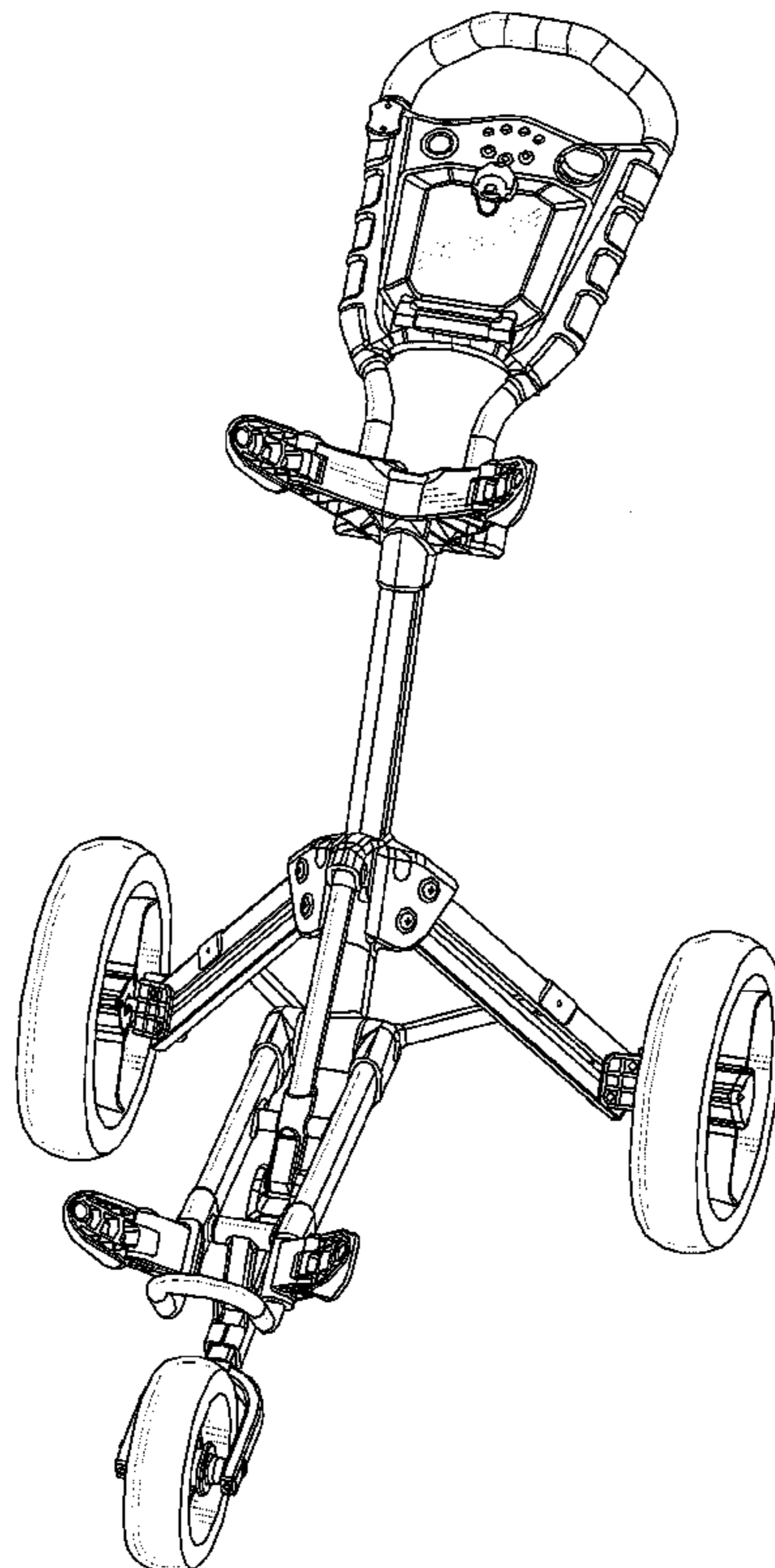
FIG. 4 is a left side elevational view thereof;

FIG. 5 is a right side elevational view thereof;

FIG. 6 is a top plan view thereof; and,

FIG. 7 is a bottom plan view thereof.

1 Claim, 7 Drawing Sheets



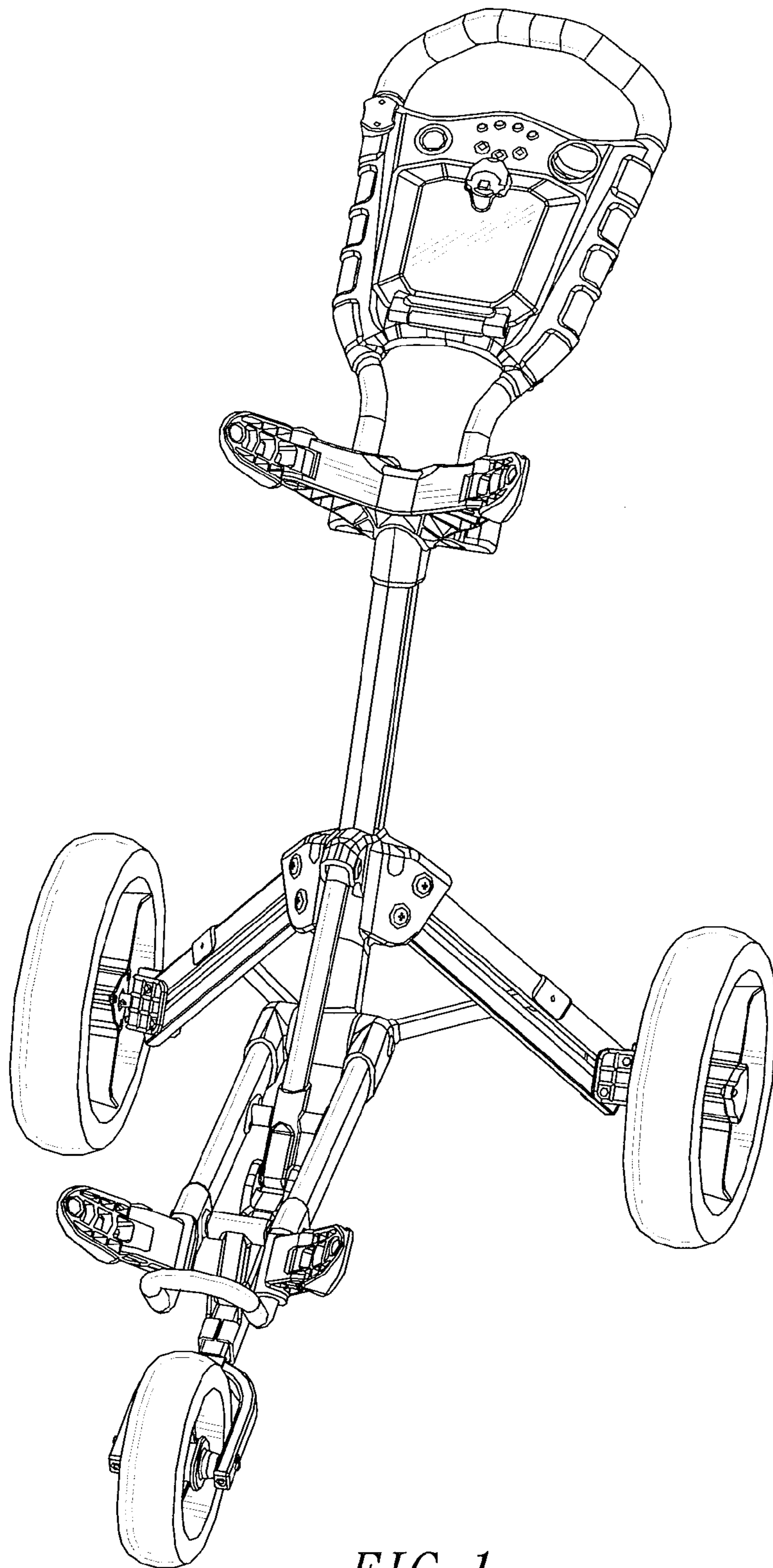


FIG. 1

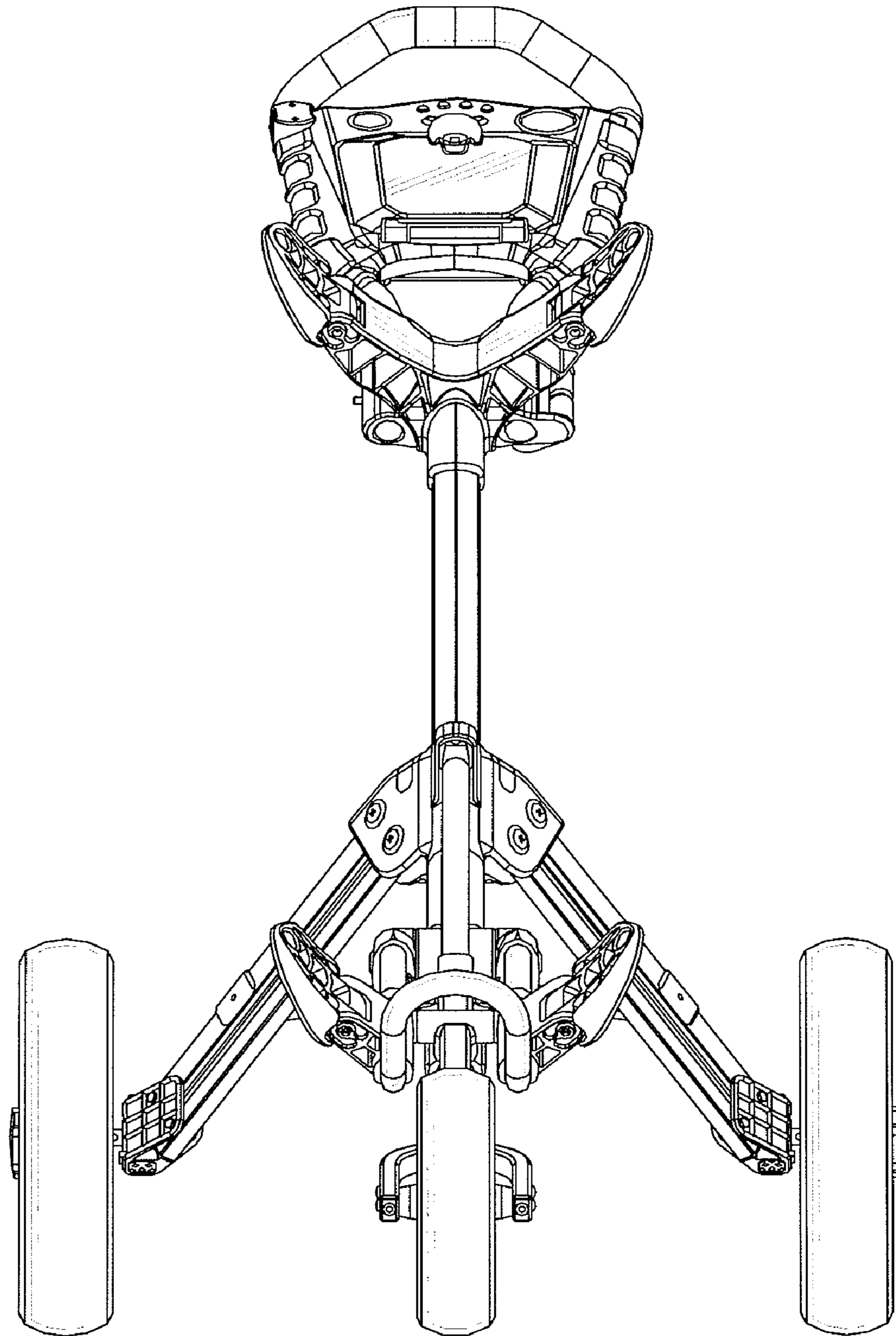


FIG. 2

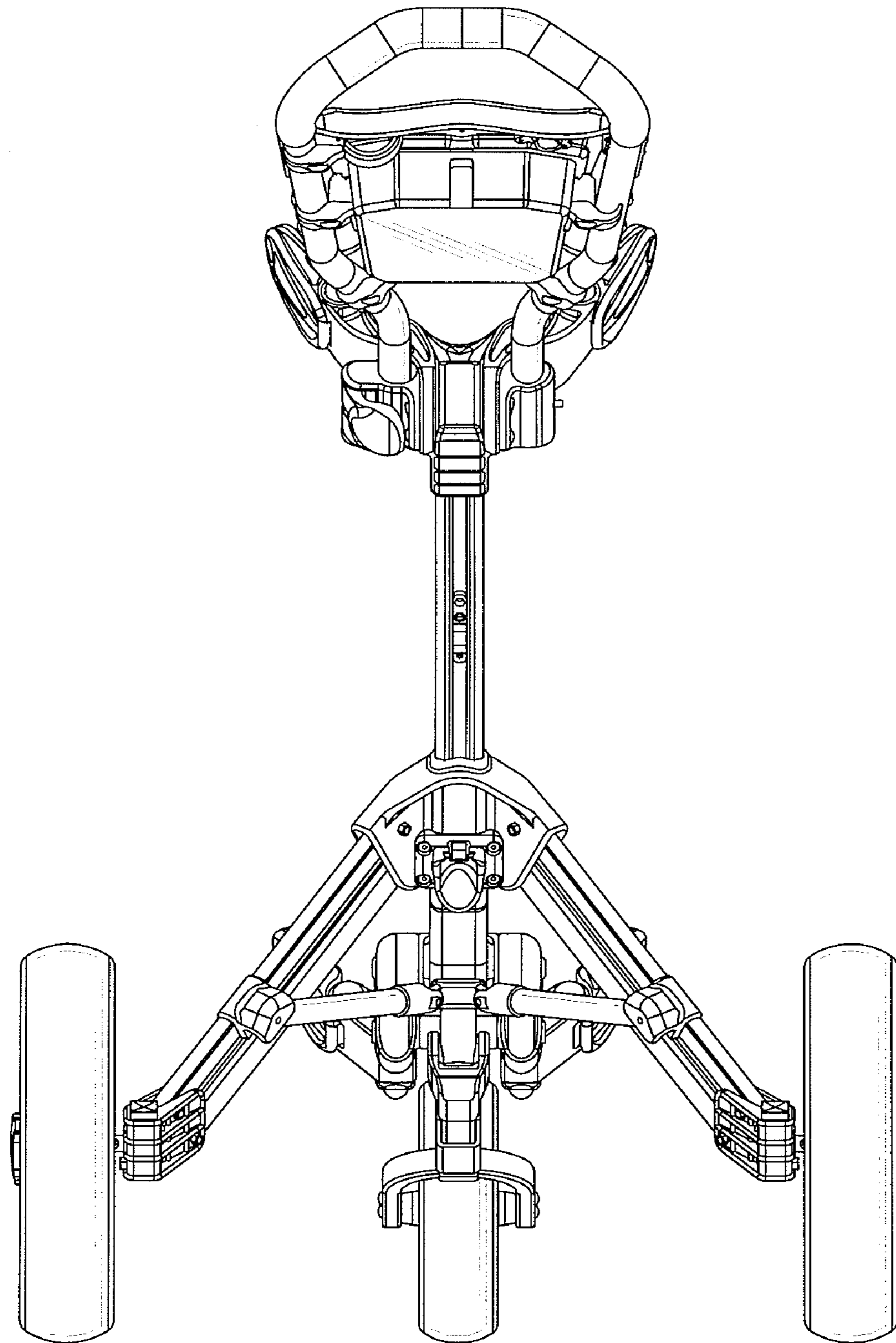


FIG. 3

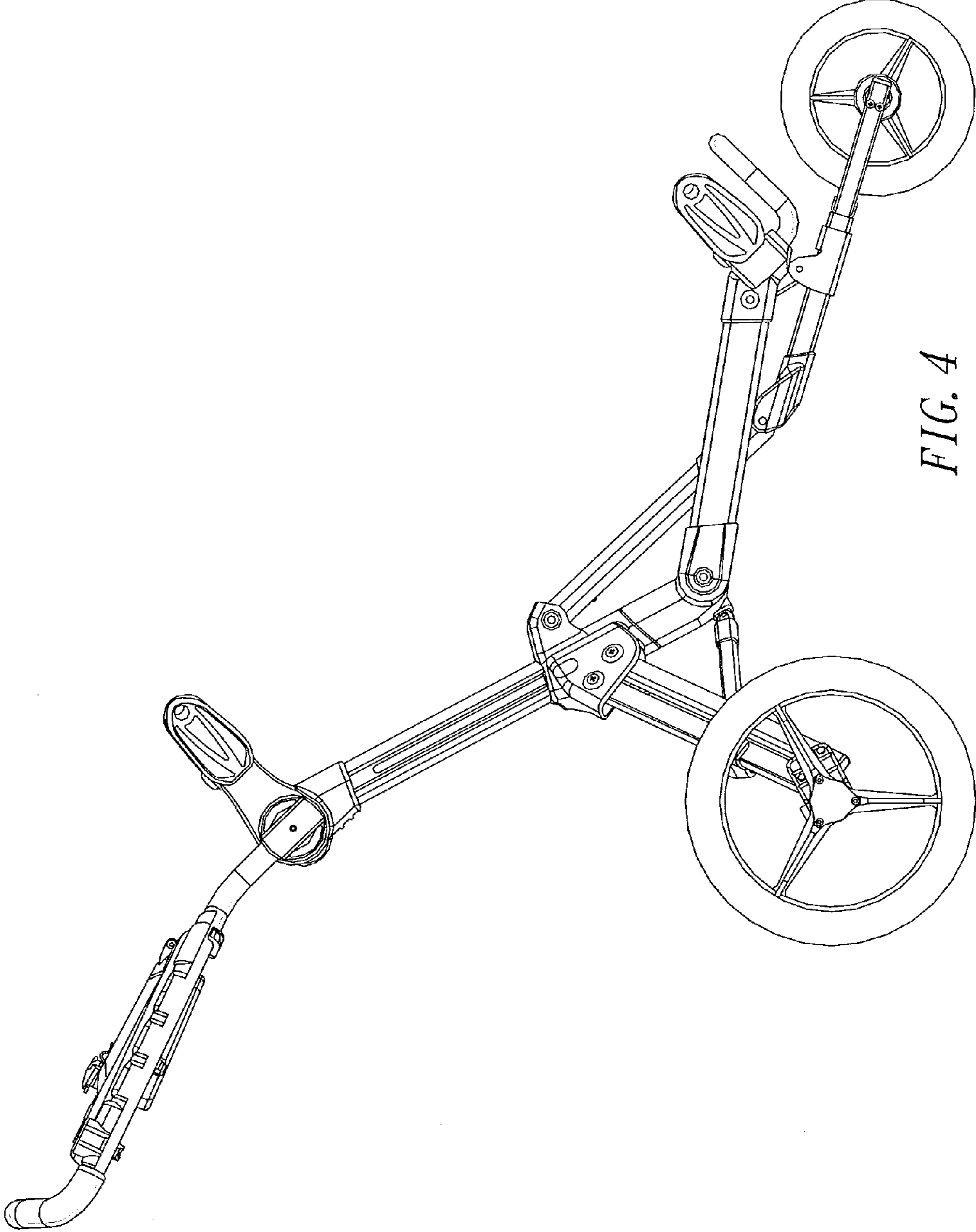


FIG. 4

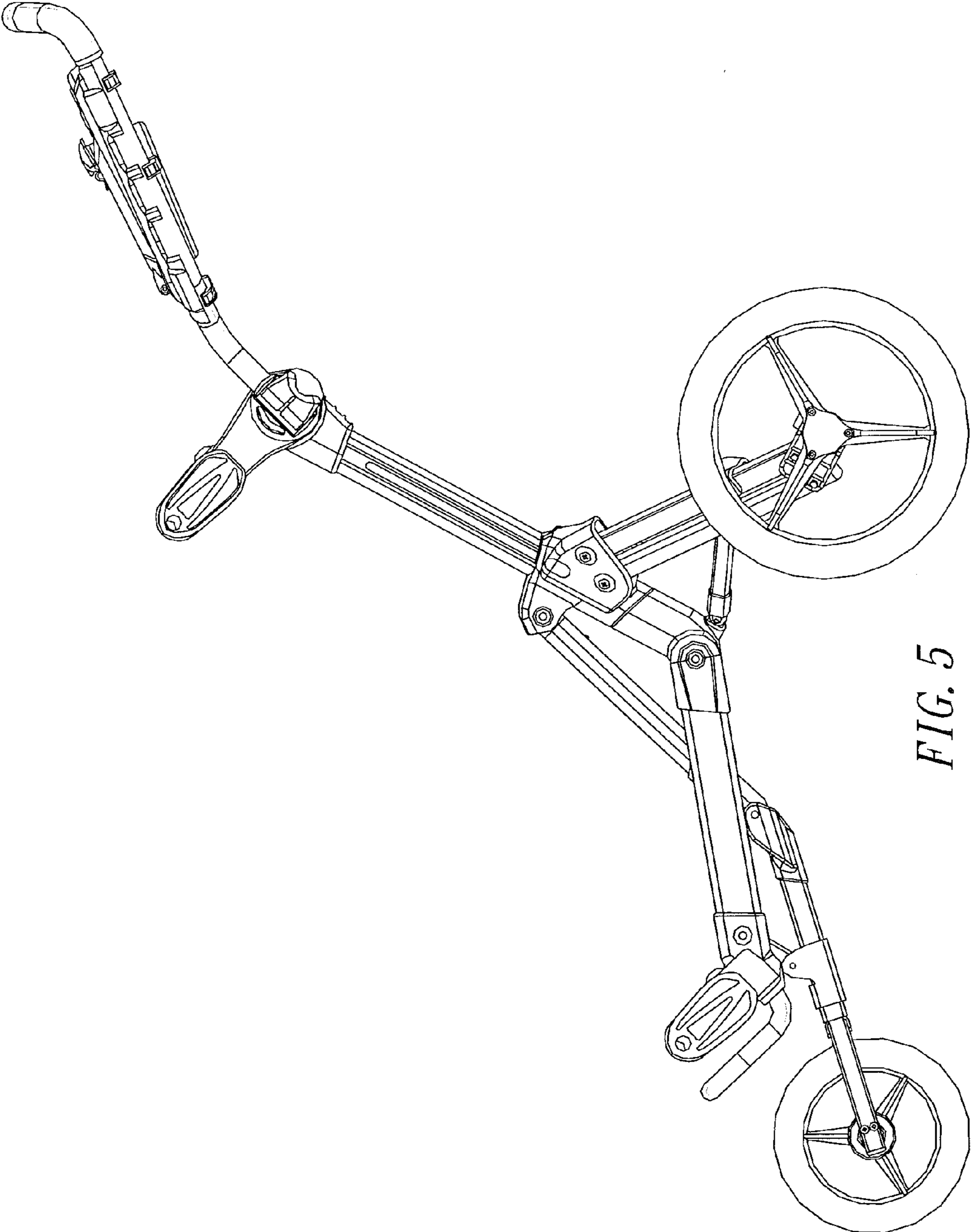


FIG. 5

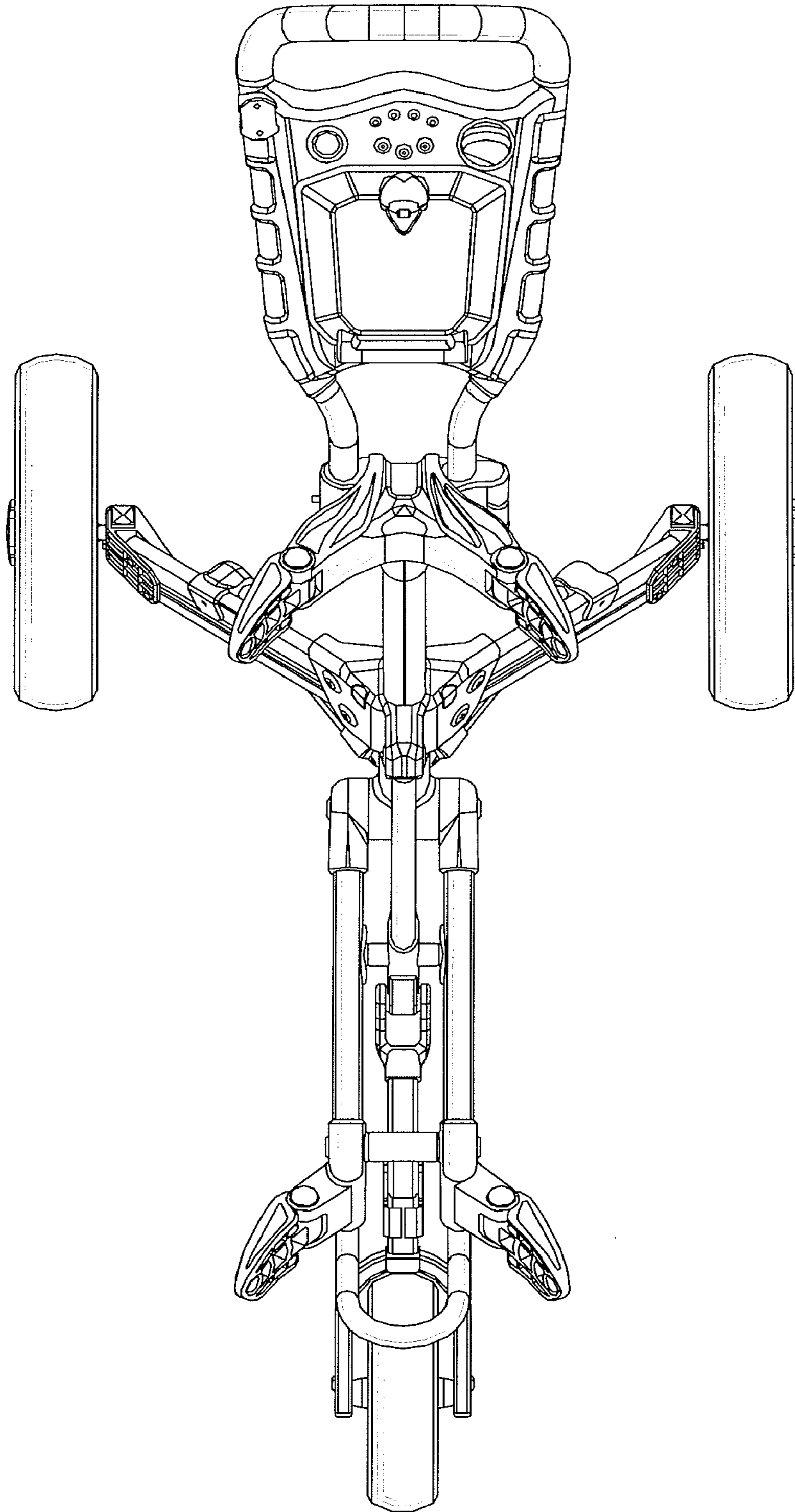


FIG. 6

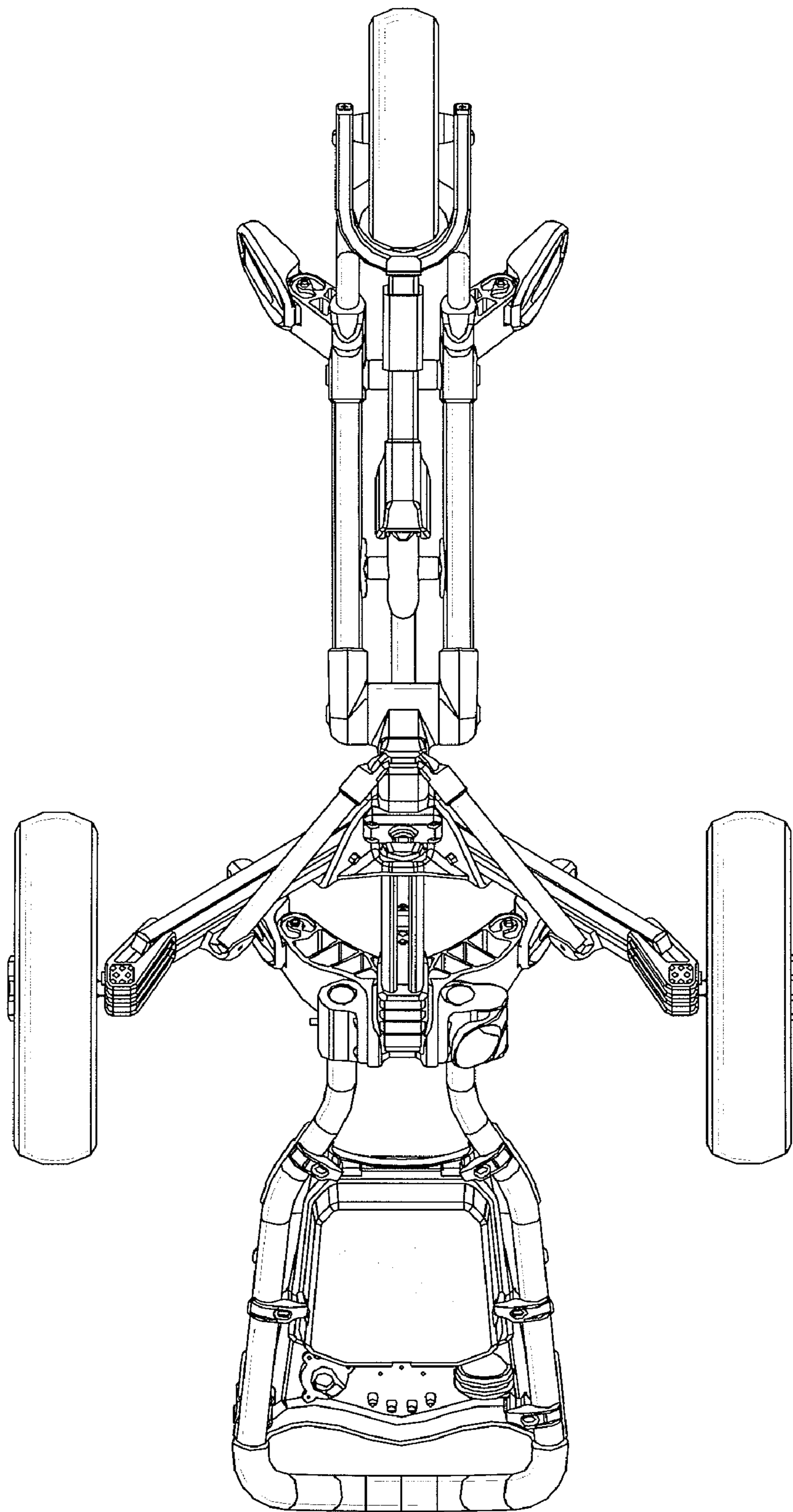


FIG. 7