



US00D629987S

(12) **United States Design Patent**
D'Ulisse

(10) **Patent No.:** **US D629,987 S**

(45) **Date of Patent:** **** Dec. 28, 2010**

(54) **BRACKET FOR A DRAIN RACK UTENSIL HOLDER**

(76) Inventor: **William N. D'Ulisse**, 8 W. 3rd Ave.,
Cape May Court House, NJ (US) 08210

(**) Term: **14 Years**

(21) Appl. No.: **29/288,746**

(22) Filed: **Jun. 21, 2007**

(51) **LOC (9) Cl.** **07-05**

(52) **U.S. Cl.** **D32/58; D8/354**

(58) **Field of Classification Search** D32/58;
D8/349, 354, 363, 373, 382; D25/119; D13/155;
248/674, 475.1, 37.6, 65, 121, 126, 200,
248/205.1, 207, 317, 339, 213.2, 215, 304,
248/309.1

See application file for complete search history.

(56) **References Cited**

U.S. PATENT DOCUMENTS

1,509,037	A *	9/1924	Franklin	248/231.71
D267,776	S *	2/1983	Holgerson et al.	D8/396
D285,047	S *	8/1986	Dean et al.	D8/382
D379,295	S *	5/1997	Kopish	D8/349
D442,063	S *	5/2001	Snyder	D8/349
D443,198	S *	6/2001	Snyder	D8/354
D506,381	S *	6/2005	Lu	D8/349
D520,862	S *	5/2006	Munson et al.	D8/354
7,261,269	B2 *	8/2007	Cote	248/317
D554,978	S *	11/2007	Radke	D8/354
D563,771	S *	3/2008	Prechtel et al.	D8/354
D592,487	S *	5/2009	Tedesco et al.	D8/349

D599,193	S *	9/2009	Meyer et al.	D8/354
D618,992	S *	7/2010	Rix	D8/394
2006/0278792	A1 *	12/2006	Cote	248/317

* cited by examiner

Primary Examiner—Rosemary K Tarcza

(74) *Attorney, Agent, or Firm*—Stuart M. Goldstein

(57) **CLAIM**

The ornamental design for the bracket for a drain rack utensil holder, as shown and described.

DESCRIPTION

FIG. 1 is an isometric view of the bracket for a drain rack utensil holder of the present invention.

FIG. 2 is a front view of the bracket for a drain rack utensil holder of the present invention.

FIG. 3 is a rear view of the bracket for a drain rack utensil holder of the present invention.

FIG. 4 is a top view of the bracket for a drain rack utensil holder of the present invention.

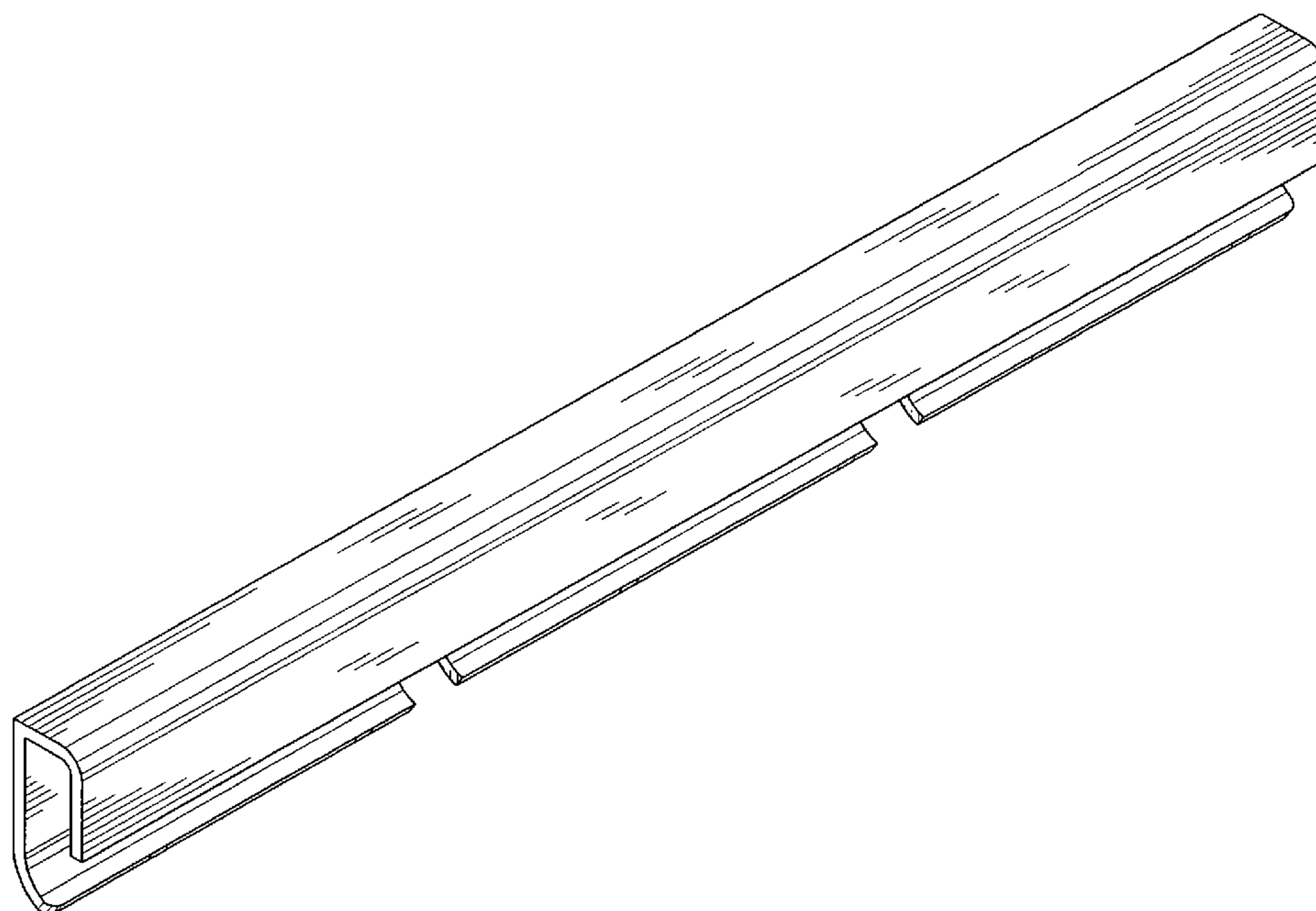
FIG. 5 is a bottom view of the bracket for a drain rack utensil holder of the present invention.

FIG. 6 is an end view of the bracket for a drain rack utensil holder of the present invention.

FIG. 7 is the opposite end view of the bracket for a drain rack utensil holder of the present invention; and,

FIG. 8 is an isometric view of the bracket for a drain rack utensil holder of the present invention positioned in relation to a drain rack utensil holder.

1 Claim, 5 Drawing Sheets



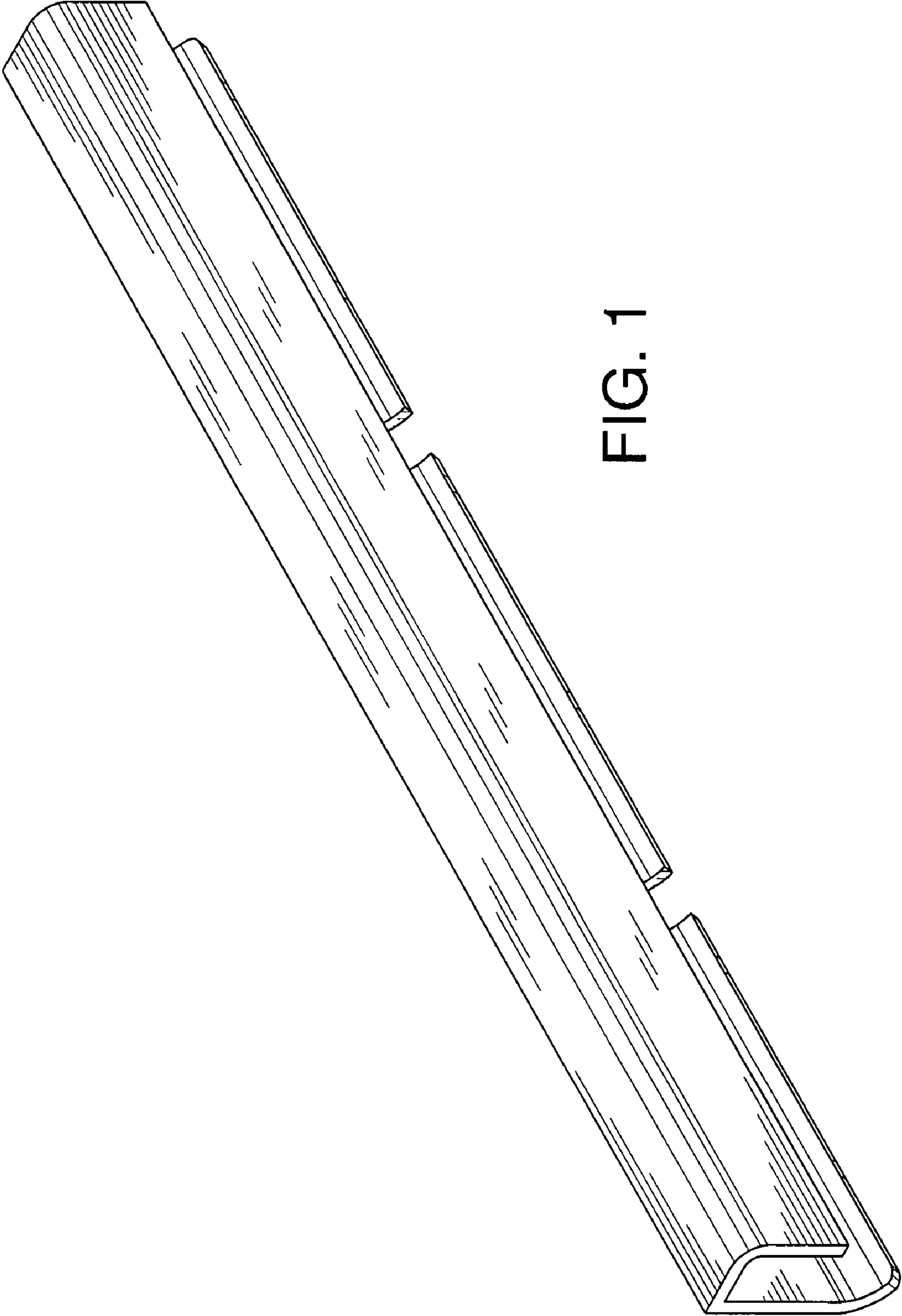


FIG. 1

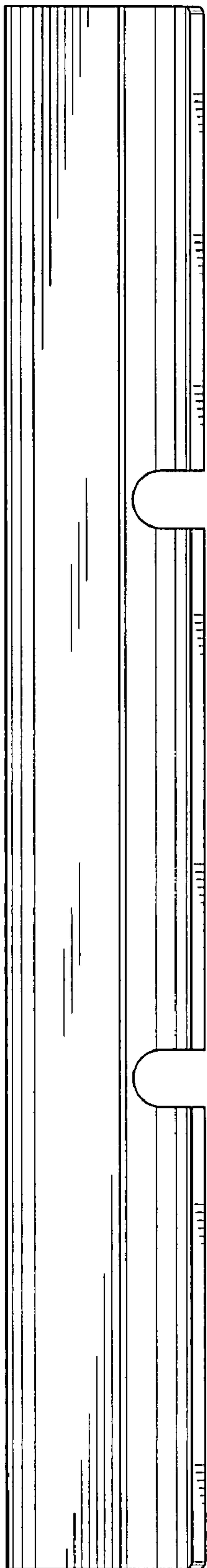


FIG. 2

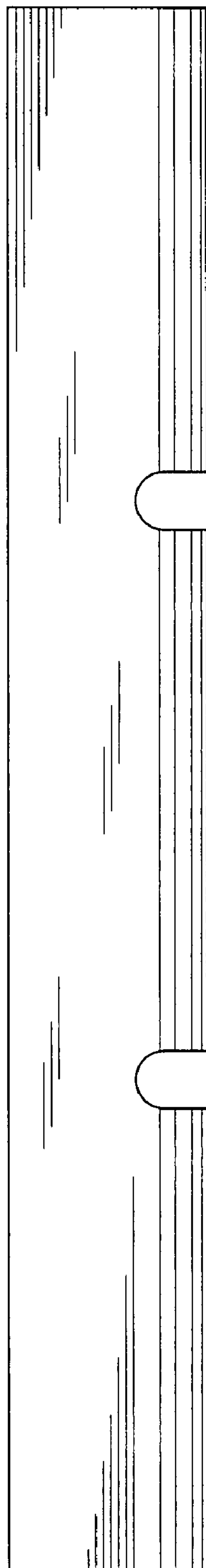


FIG. 3

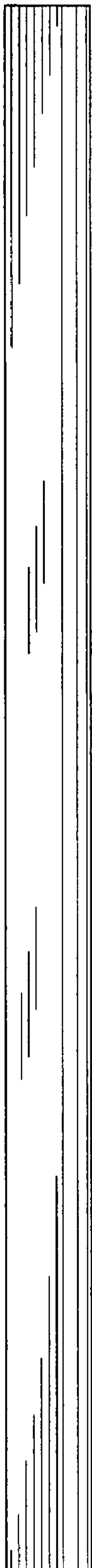


FIG. 4

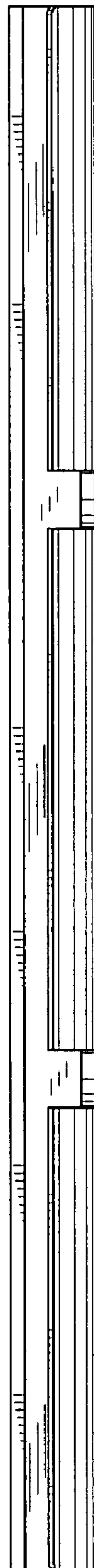


FIG. 5

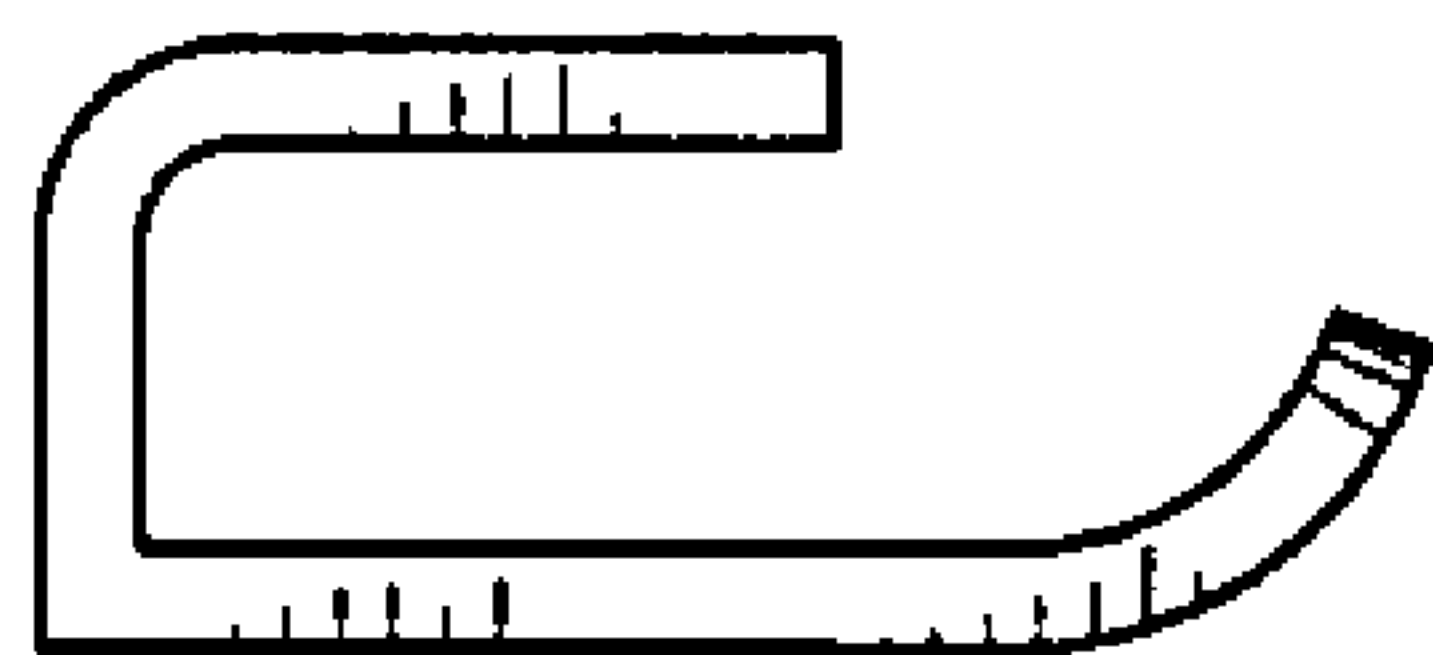


FIG. 6

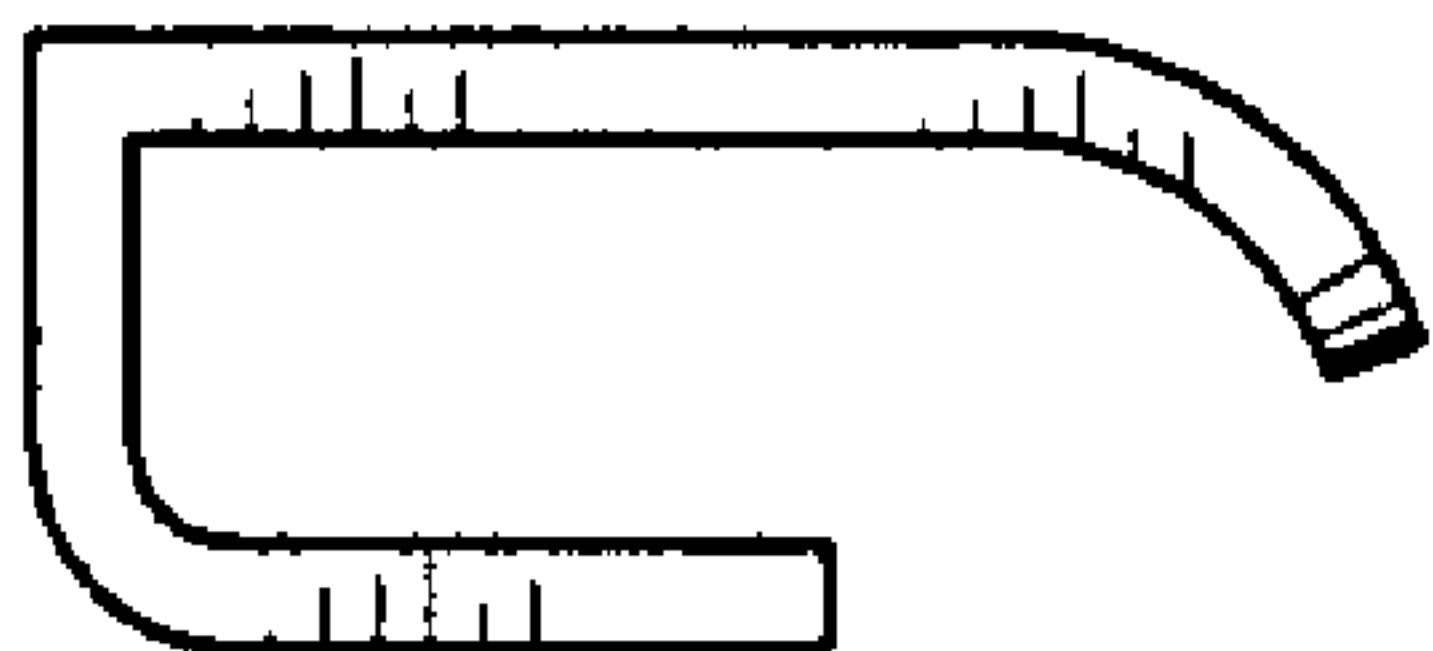


FIG. 7

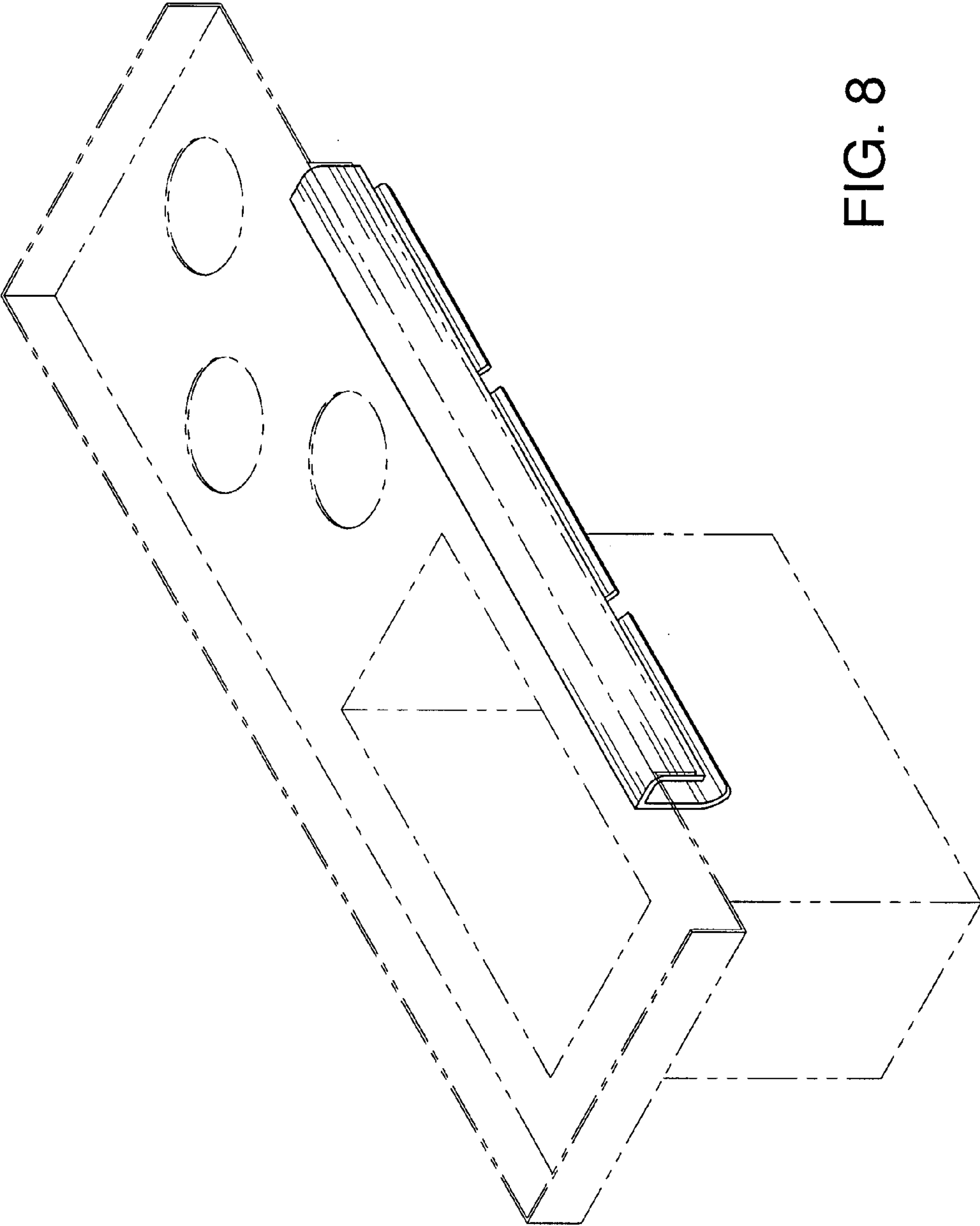


FIG. 8