



US00D629986S

(12) **United States Design Patent**  
**Clark**

(10) **Patent No.:** **US D629,986 S**

(45) **Date of Patent:** **\*\* Dec. 28, 2010**

(54) **PAINT DISPENSER WITH DUAL BRUSH WIPERS**

*Primary Examiner*—Robin V Webster  
(74) *Attorney, Agent, or Firm*—Harry I. Leon

(76) **Inventor:** **Henry R. Clark**, 2402 Foxwood Rd.,  
South, Orange Park, FL (US) 32073

(57) **CLAIM**

The ornamental design for a paint dispenser with dual brush wipers, as shown and described.

(\*\*) **Term:** **14 Years**

(21) **Appl. No.:** **29/349,680**

**DESCRIPTION**

(22) **Filed:** **Apr. 23, 2010**

(51) **LOC (9) Cl.** ..... **07-07**

(52) **U.S. Cl.** ..... **D32/53.1**

(58) **Field of Classification Search** ..... D32/53,  
D32/53.1, 54; 15/260, 263, 264, 257.05,  
15/257.06; 220/904, 570

FIG. 1 is a top right perspective view of the paint dispenser with dual paint wipers showing the present invention, the broken line disclosure of a person's hands holding the dispenser and a brush so as to wipe it across the top of or the wiping structure as being shown for illustrative purposes only and forming no part of the claimed design;

See application file for complete search history.

FIG. 2 is a top front perspective view of the paint dispenser according to FIG. 1;

(56) **References Cited**

**U.S. PATENT DOCUMENTS**

D401,704 S *	11/1998	Clark	.....	D32/53.1
D448,130 S *	9/2001	Wagner	.....	D32/53.1
D457,995 S *	5/2002	Clark	.....	D32/53.1
D470,634 S *	2/2003	Rajdl	.....	D32/53.1
D481,502 S *	10/2003	Clark	.....	D32/53.1
D482,830 S *	11/2003	Kohn	.....	D32/53.1
D551,411 S *	9/2007	Byers	.....	D32/53.1

FIG. 3 is a top plan view of the paint dispenser;

FIG. 4 is a front elevational view of the paint dispenser;

FIG. 5 is a rear elevational view of the paint dispenser;

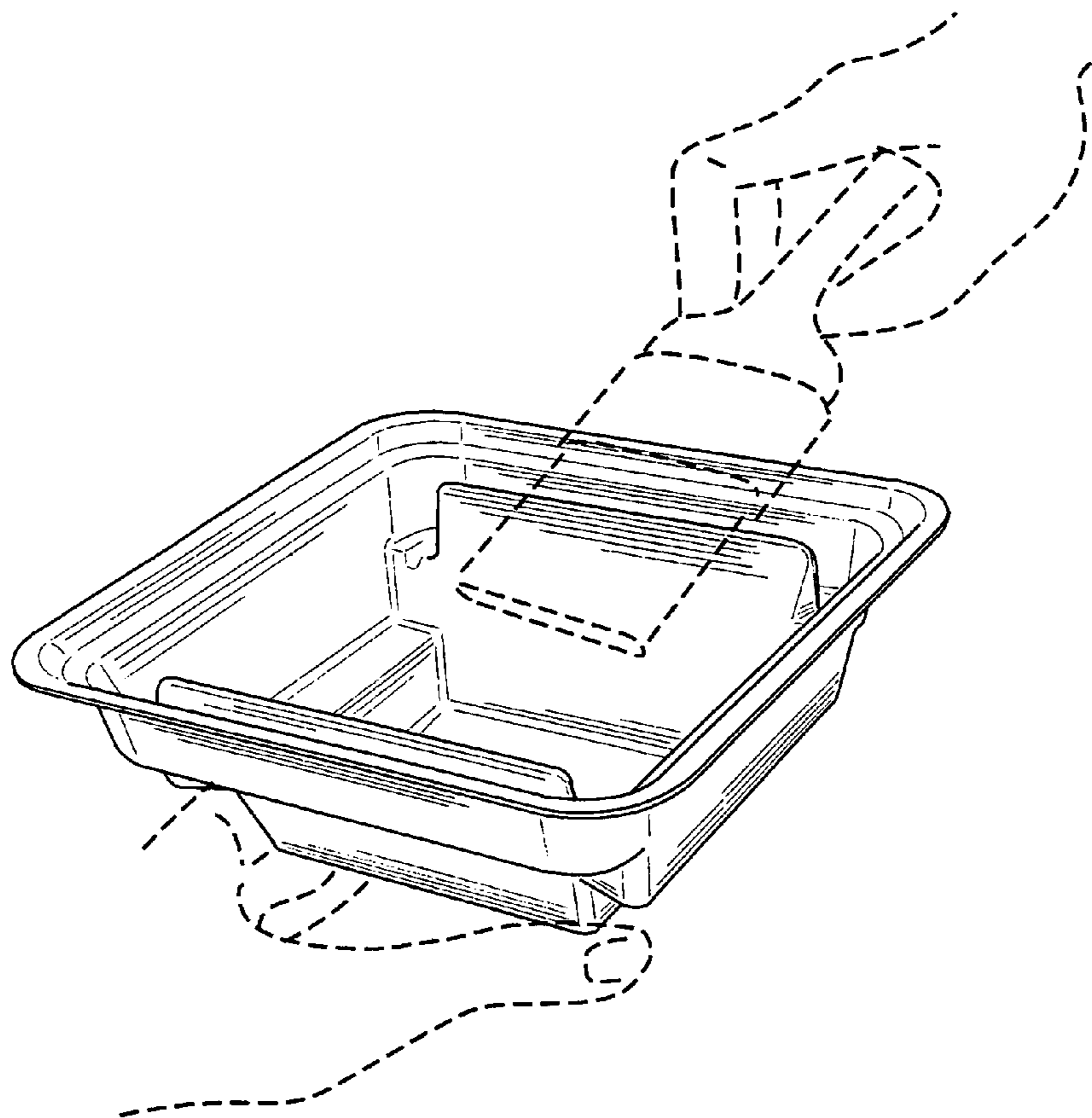
FIG. 6 is a bottom plan view of the paint dispenser

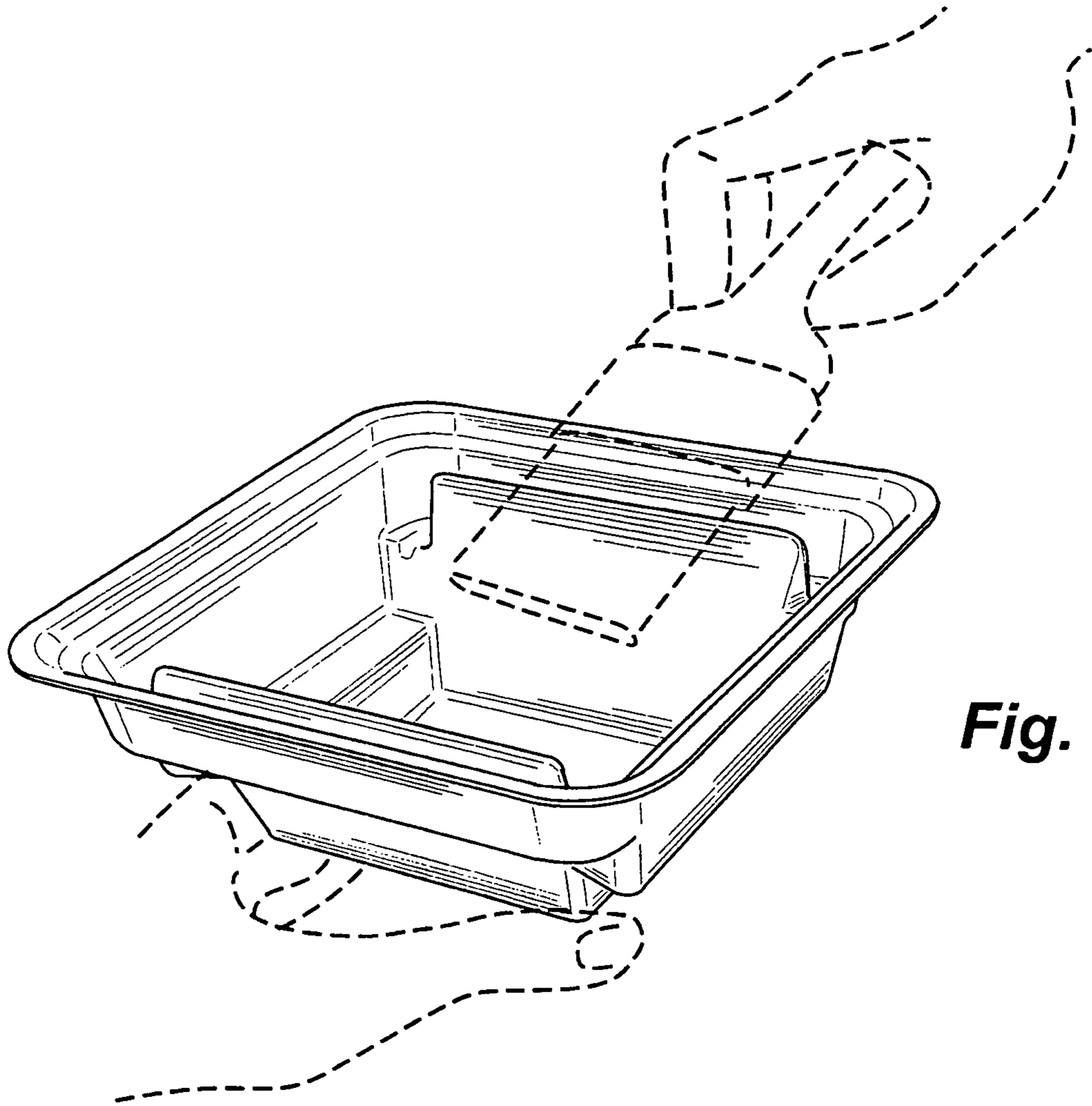
FIG. 7 is a right side perspective view of the paint dispenser; and,

FIG. 8 is a cross-sectional view thereof taken along line 8—8 of FIG. 3.

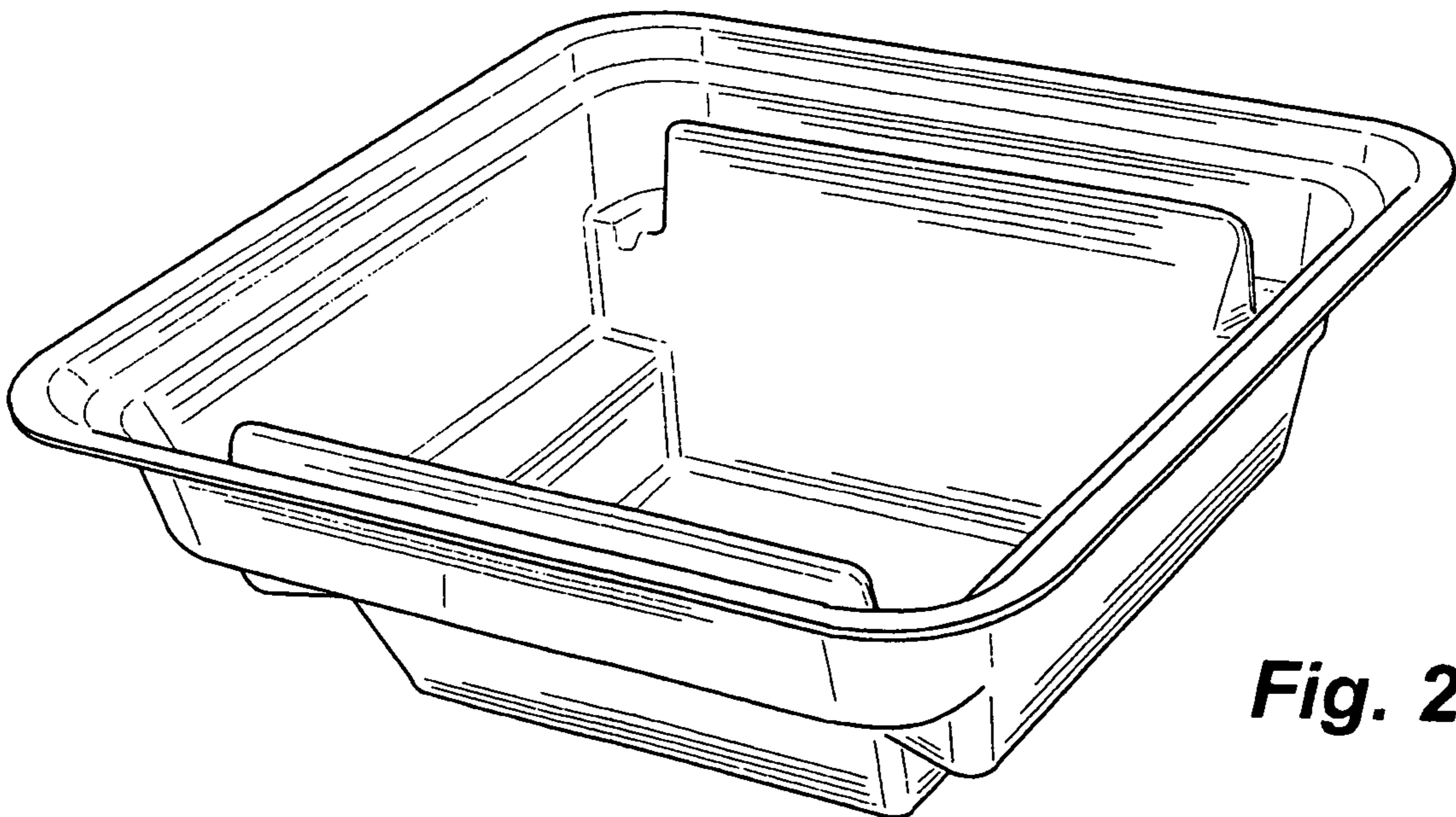
\* cited by examiner

**1 Claim, 4 Drawing Sheets**

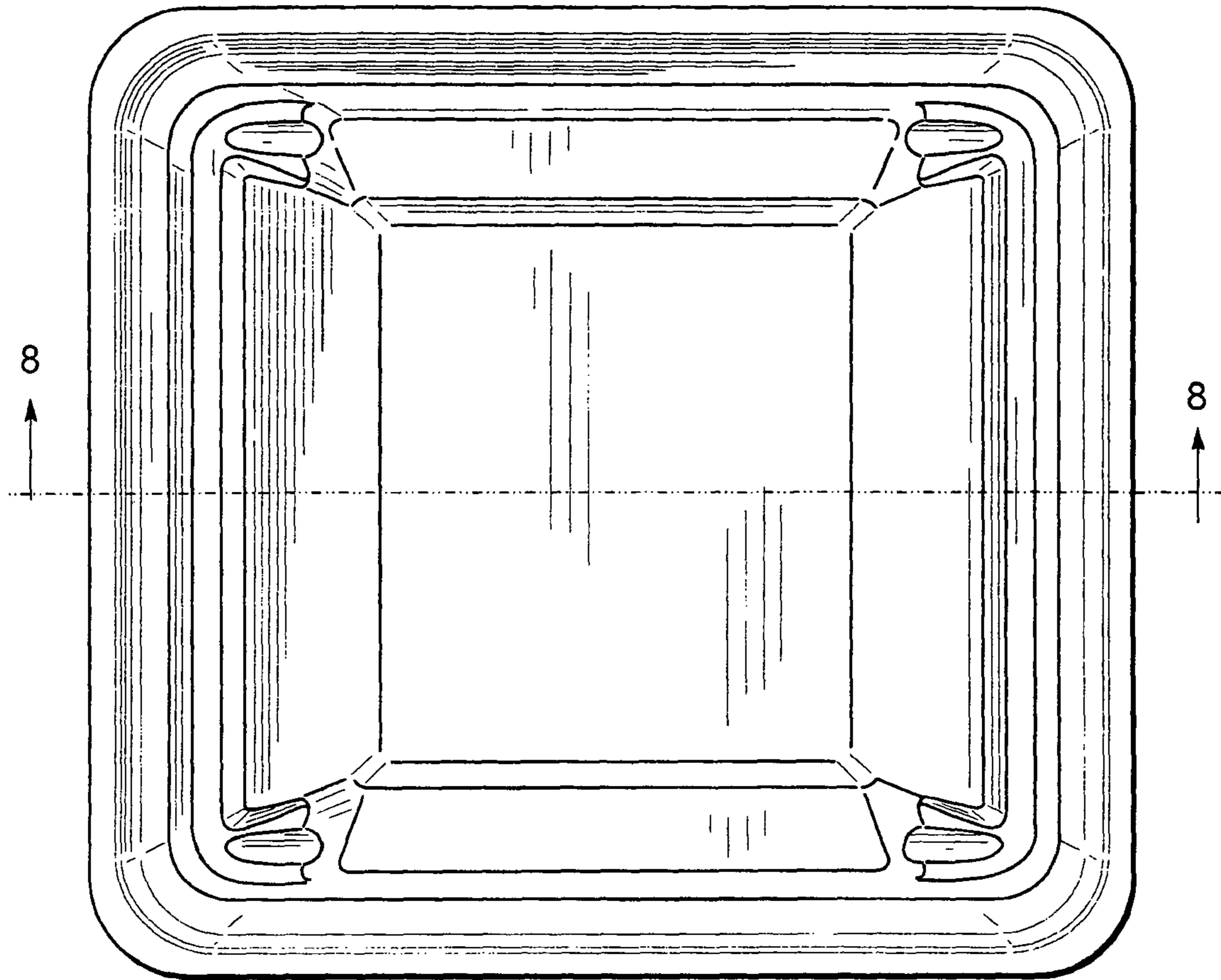




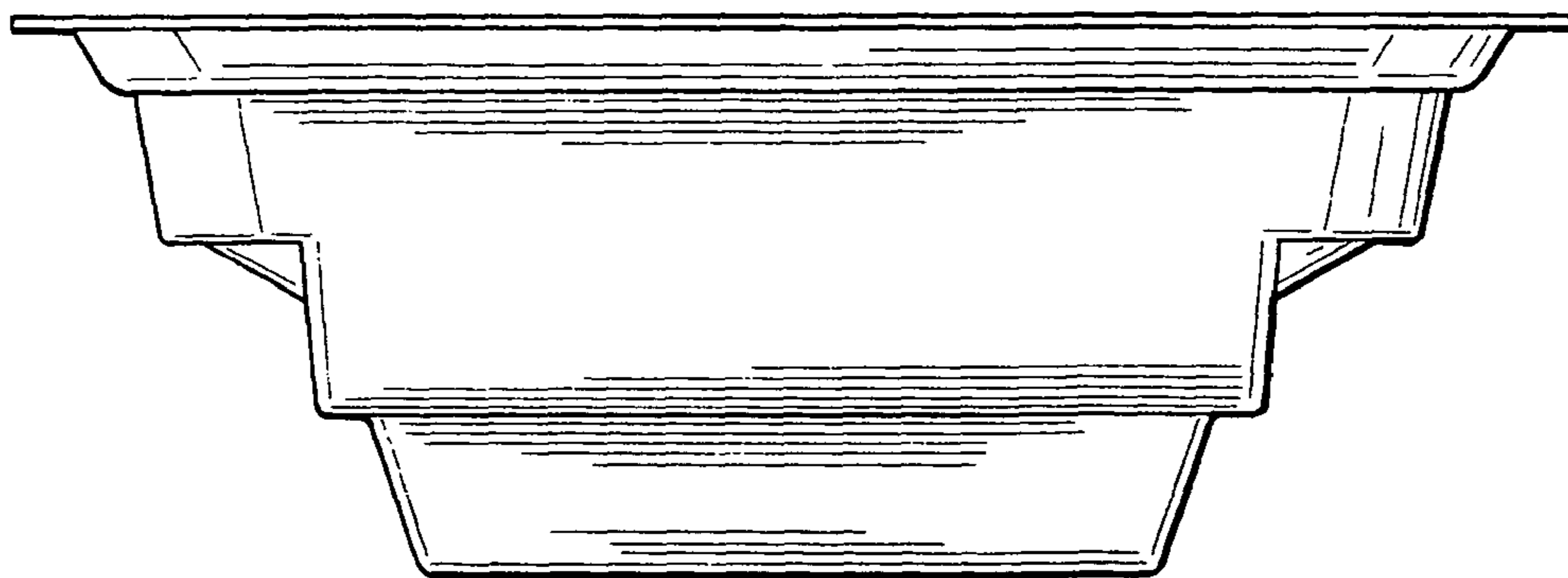
**Fig. 1**



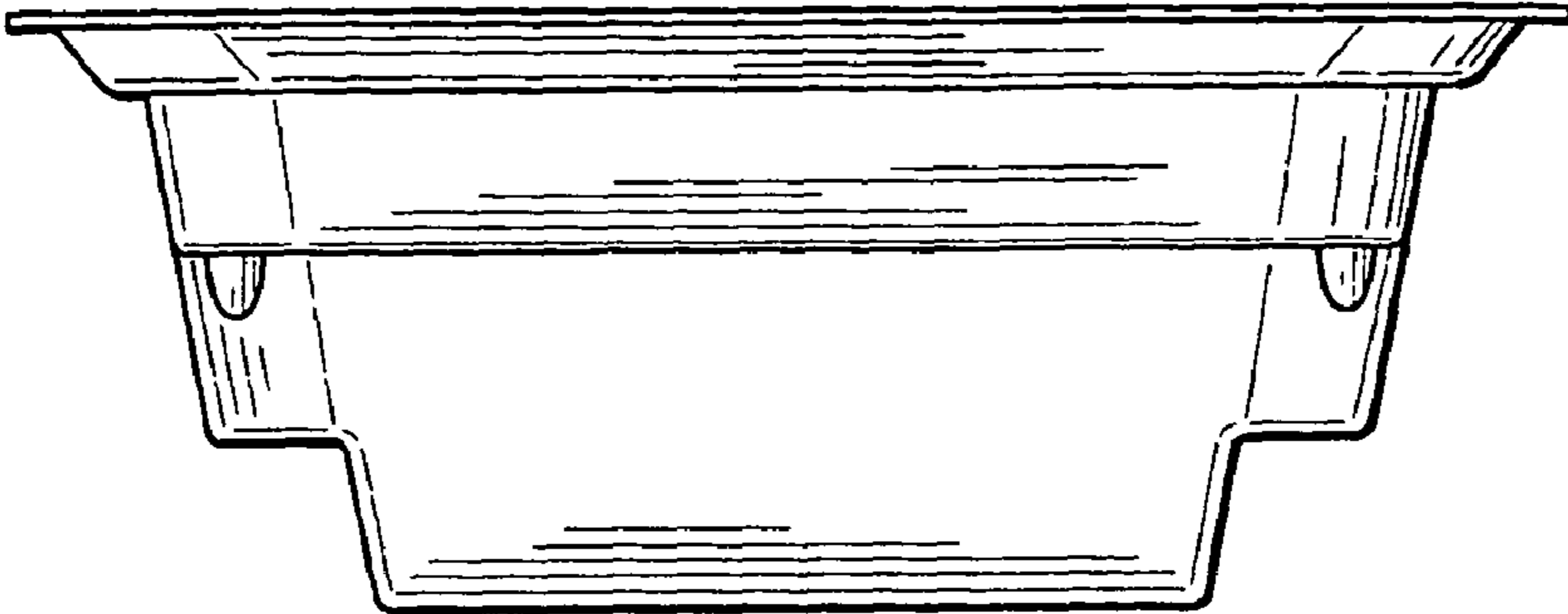
**Fig. 2**



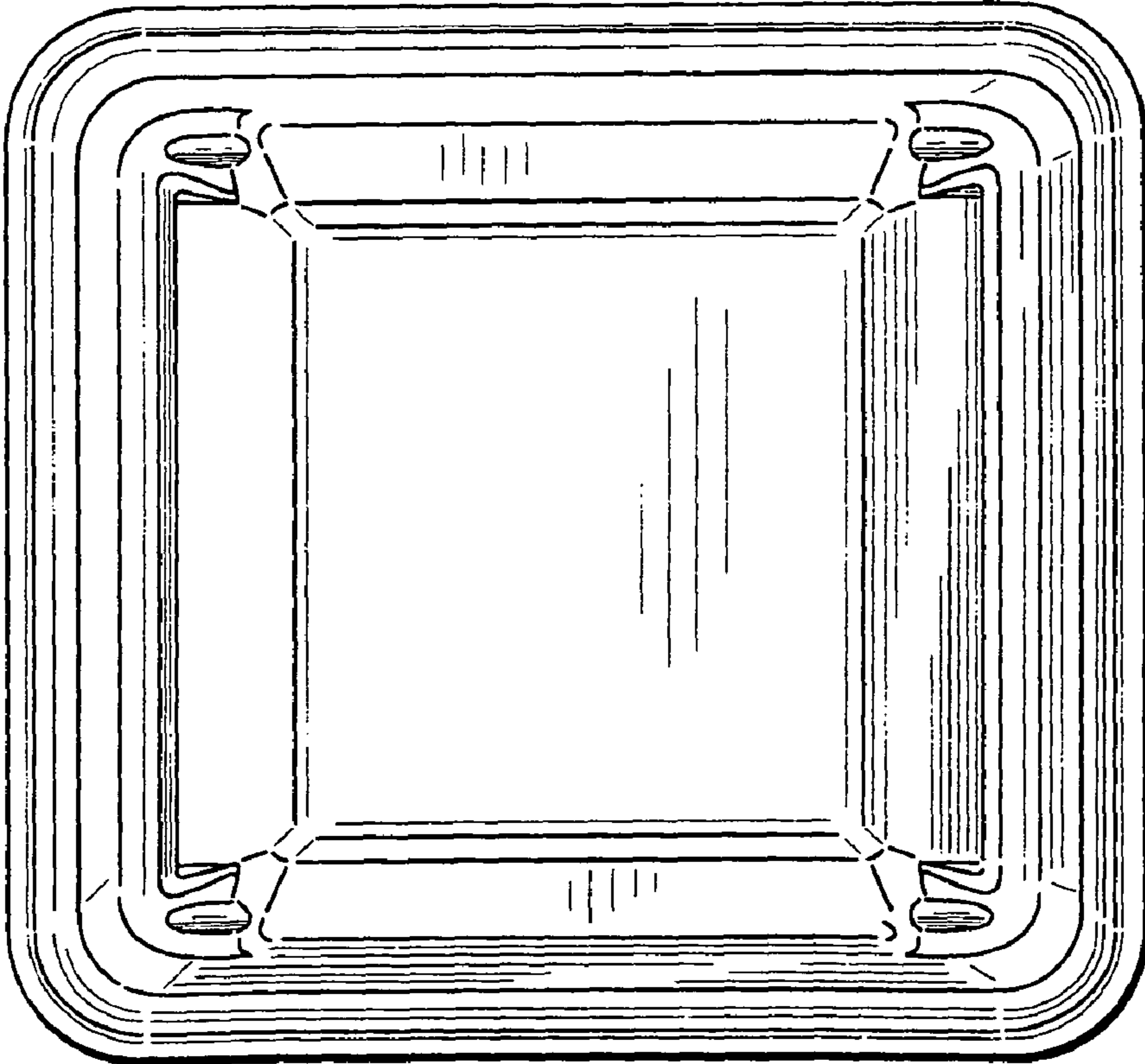
**Fig. 3**



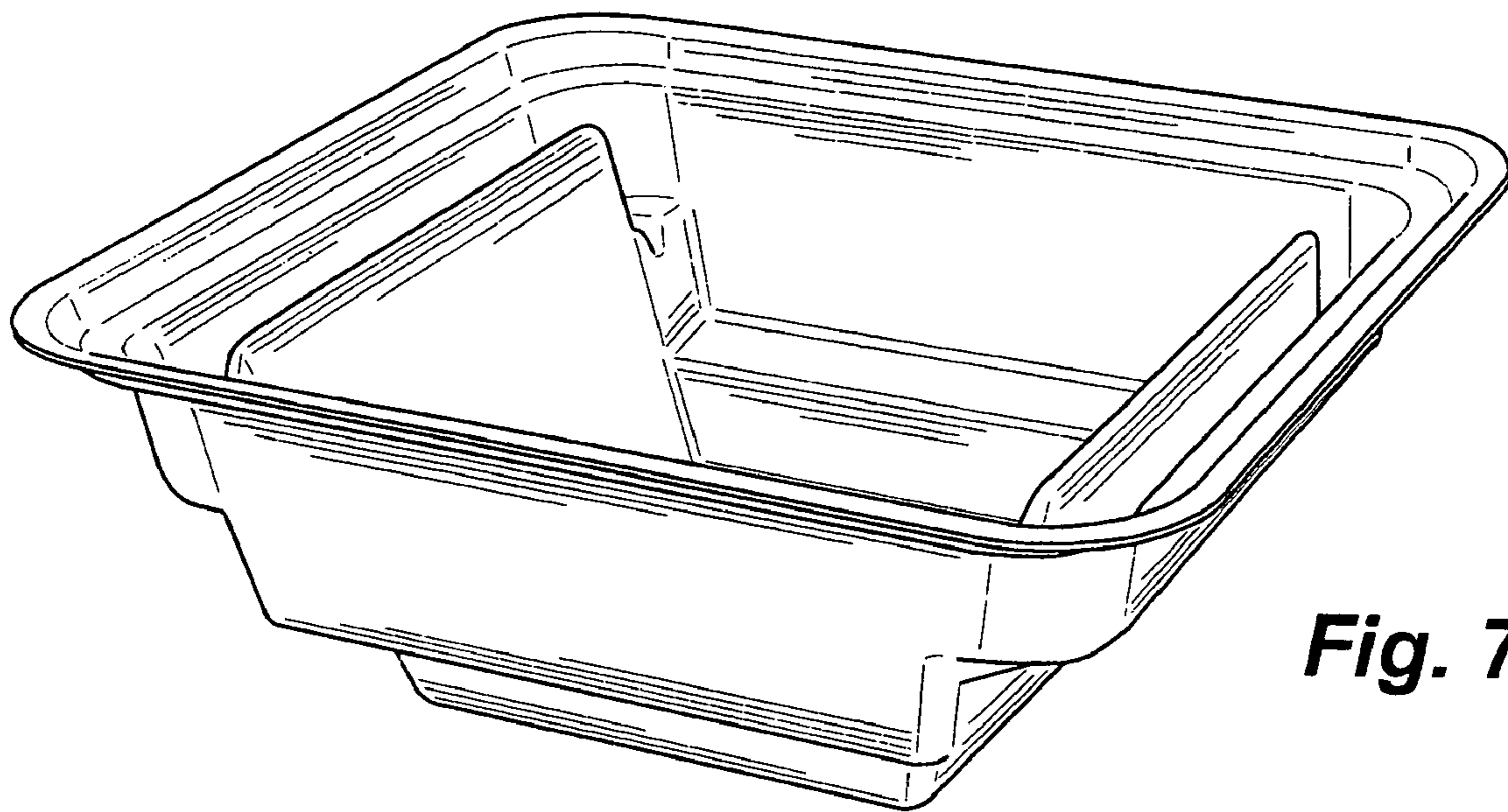
**Fig. 4**



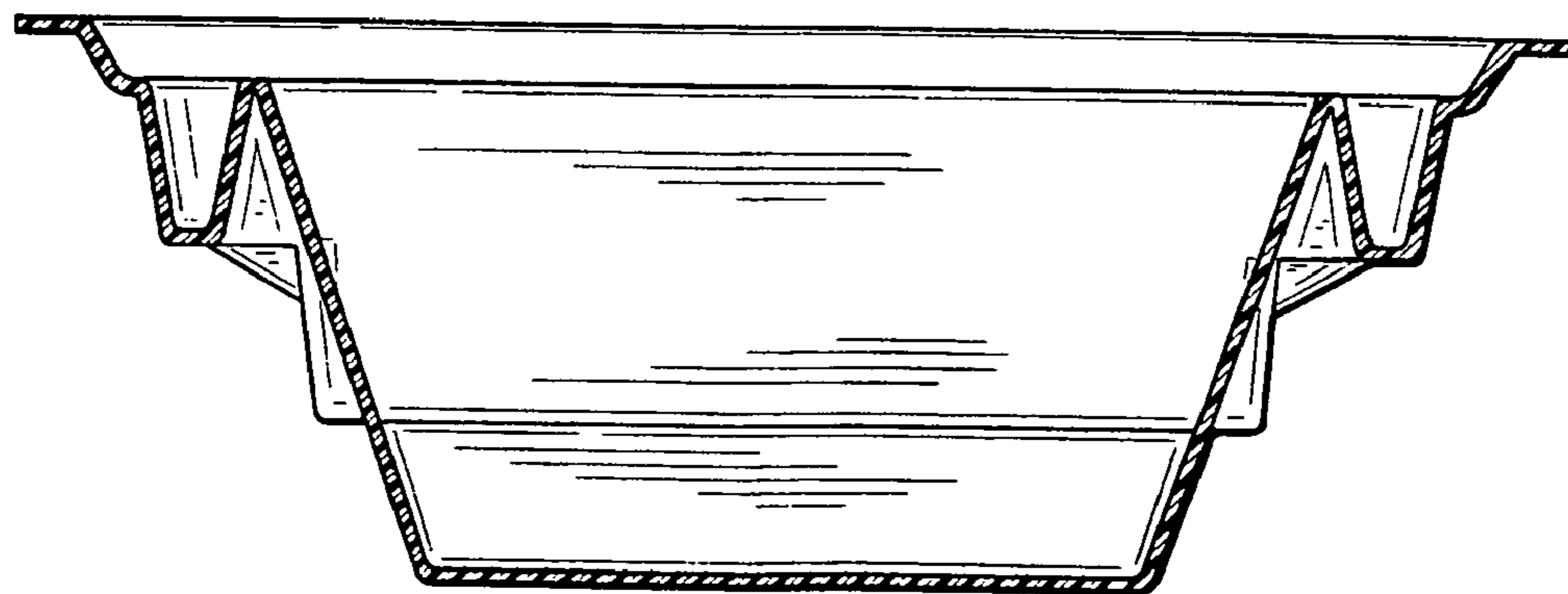
**Fig. 5**



**Fig. 6**



**Fig. 7**



**Fig. 8**