



US00D629984S

(12) **United States Design Patent**
Carlson et al.

(10) **Patent No.:** **US D629,984 S**

(45) **Date of Patent:** **** Dec. 28, 2010**

(54) **GRILL TOOL**

(75) Inventors: **Brian P. Carlson**, St. Paul, MN (US);
Scott R. Limback, St. Paul, MN (US);
Christine M. Rock, Greensboro, NC
(US); **Joseph P. Kaper**, Bermuda Run,
NC (US)

(73) Assignee: **Ecolab Inc.**, St. Paul, MN (US)

(**) Term: **14 Years**

(21) Appl. No.: **29/306,624**

(22) Filed: **Apr. 11, 2008**

(51) **LOC (9) Cl.** **04-01**

(52) **U.S. Cl.** **D32/51**

(58) **Field of Classification Search** D32/40,
D32/44, 46, 48, 49, 50, 51; 15/104.94, 111,
15/116.1, 116.2, 119.1, 119.2, 144.2, 147.1,
15/147.2, 150, 176.4, 210.1, 228, 229.1–229.3,
15/231; D4/118, 138; 294/18.1

See application file for complete search history.

(56) **References Cited**

U.S. PATENT DOCUMENTS

4,023,312 A	5/1977	Stickney	
4,828,427 A	5/1989	Nisenbaum	
5,054,830 A	10/1991	Nisenbaum	
5,060,343 A	10/1991	Nisenbaum	
5,165,144 A	11/1992	Nisenbaum	
5,471,700 A	12/1995	Pereira	
D365,897 S	1/1996	Pereira	
D384,566 S	10/1997	Dickhaus	
6,216,306 B1	4/2001	Esterson	
D473,343 S *	4/2003	Carruba et al.	D32/51

6,916,382 B1	7/2005	Aldredge	
6,966,094 B1	11/2005	Rigakos	
D521,200 S	5/2006	Veltrop	
7,047,590 B2 *	5/2006	Neal et al.	15/111
D557,901 S *	12/2007	Zemel	D4/138
2006/0207042 A1	9/2006	DiPaolo	
2007/0270088 A1	11/2007	Greenwood	

* cited by examiner

Primary Examiner—Nanda Bondade

(74) *Attorney, Agent, or Firm*—Merchant & Gould P.C.

(57) **CLAIM**

The ornamental design for a grill tool, as shown and described.

DESCRIPTION

FIG. 1 is a front, left, perspective view of a grill tool showing our new design;

FIG. 2 is a front, left, perspective view of the grill tool of FIG. 1 in a first open position;

FIG. 3 is a front, left, perspective view of the grill tool of FIG. 1 in a second open position;

FIG. 4 is a front view of the grill tool of FIG. 1;

FIG. 5 is a back view of the grill tool of FIG. 1;

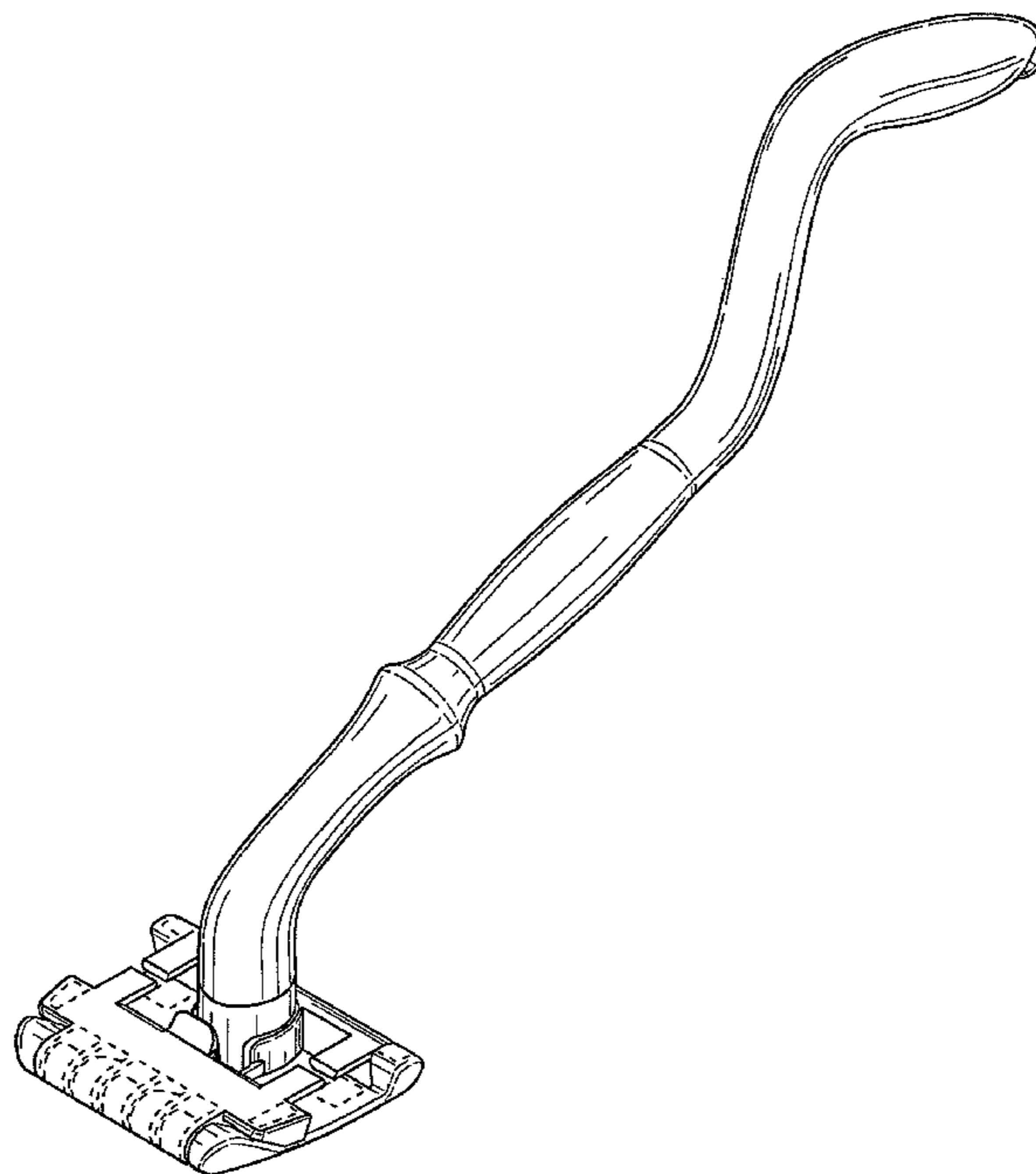
FIG. 6 is a left side view of the grill tool of FIG. 1, the right side view being a mirror image of the left side view;

FIG. 7 is a top view of the grill tool of FIG. 1; and,

FIG. 8 is a bottom view of the grill tool of FIG. 1.

The broken line showing in all figures is for illustrative purposes only and forms no part of the claimed design.

1 Claim, 6 Drawing Sheets



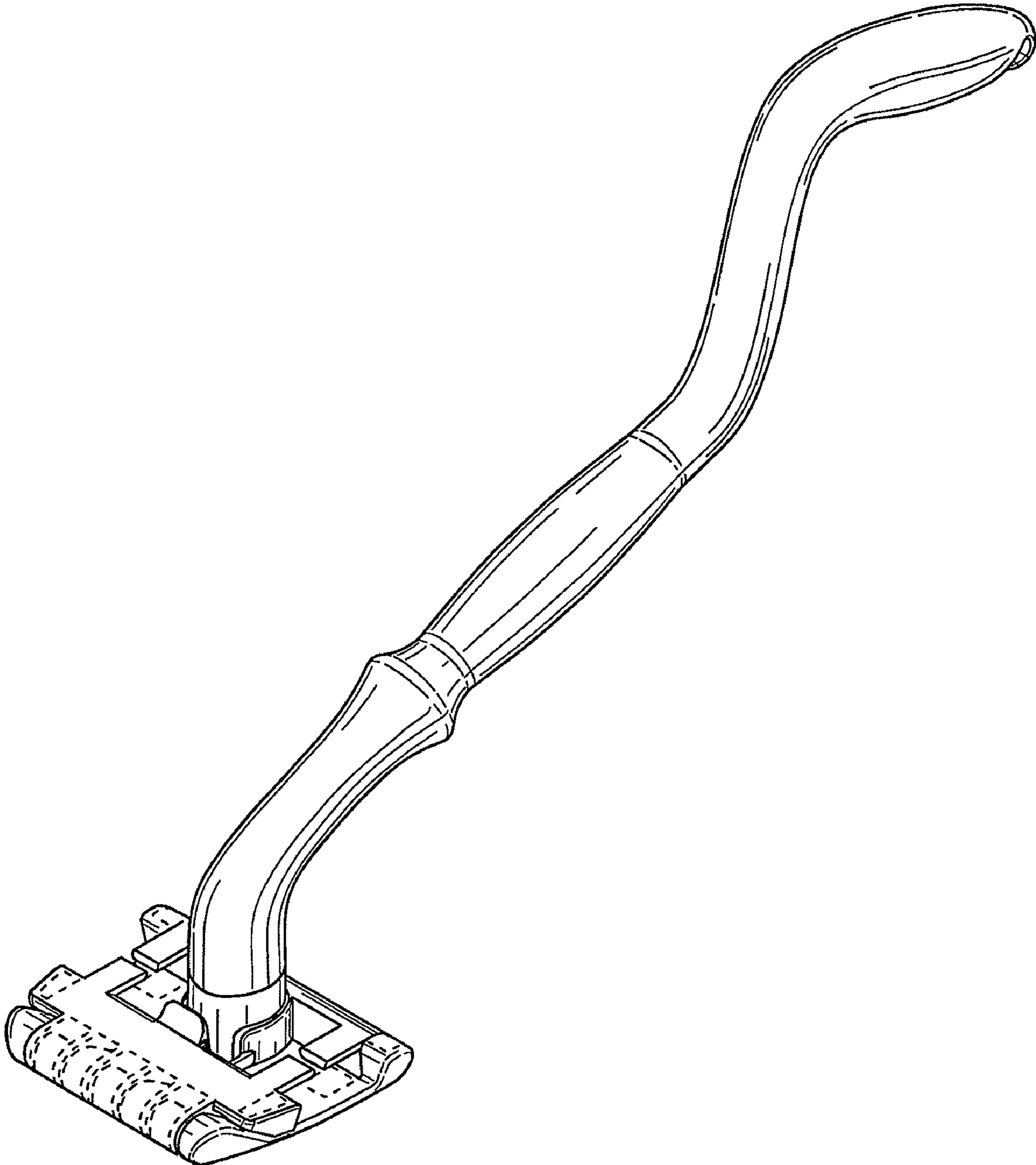


FIG. 1

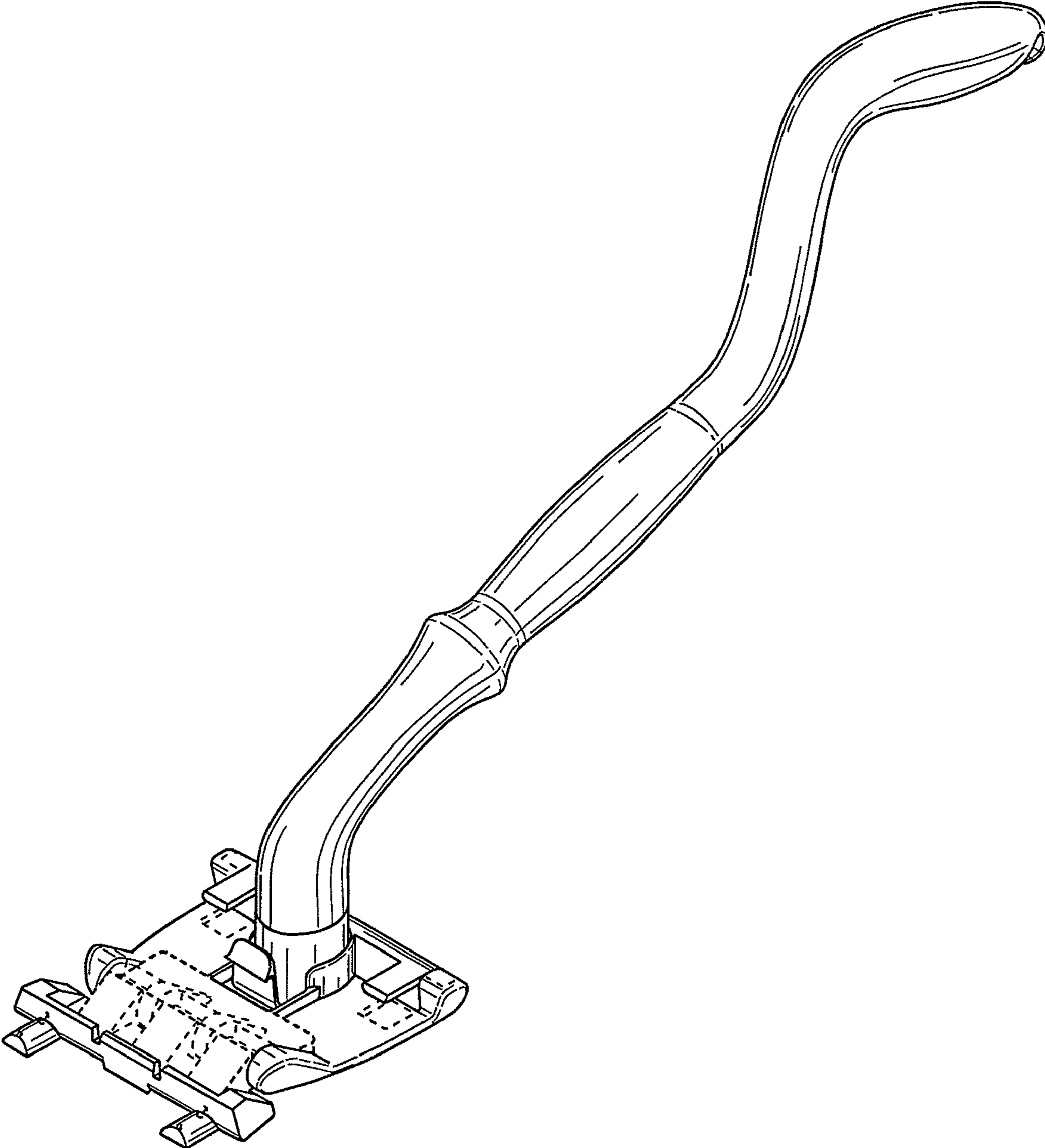


FIG. 2

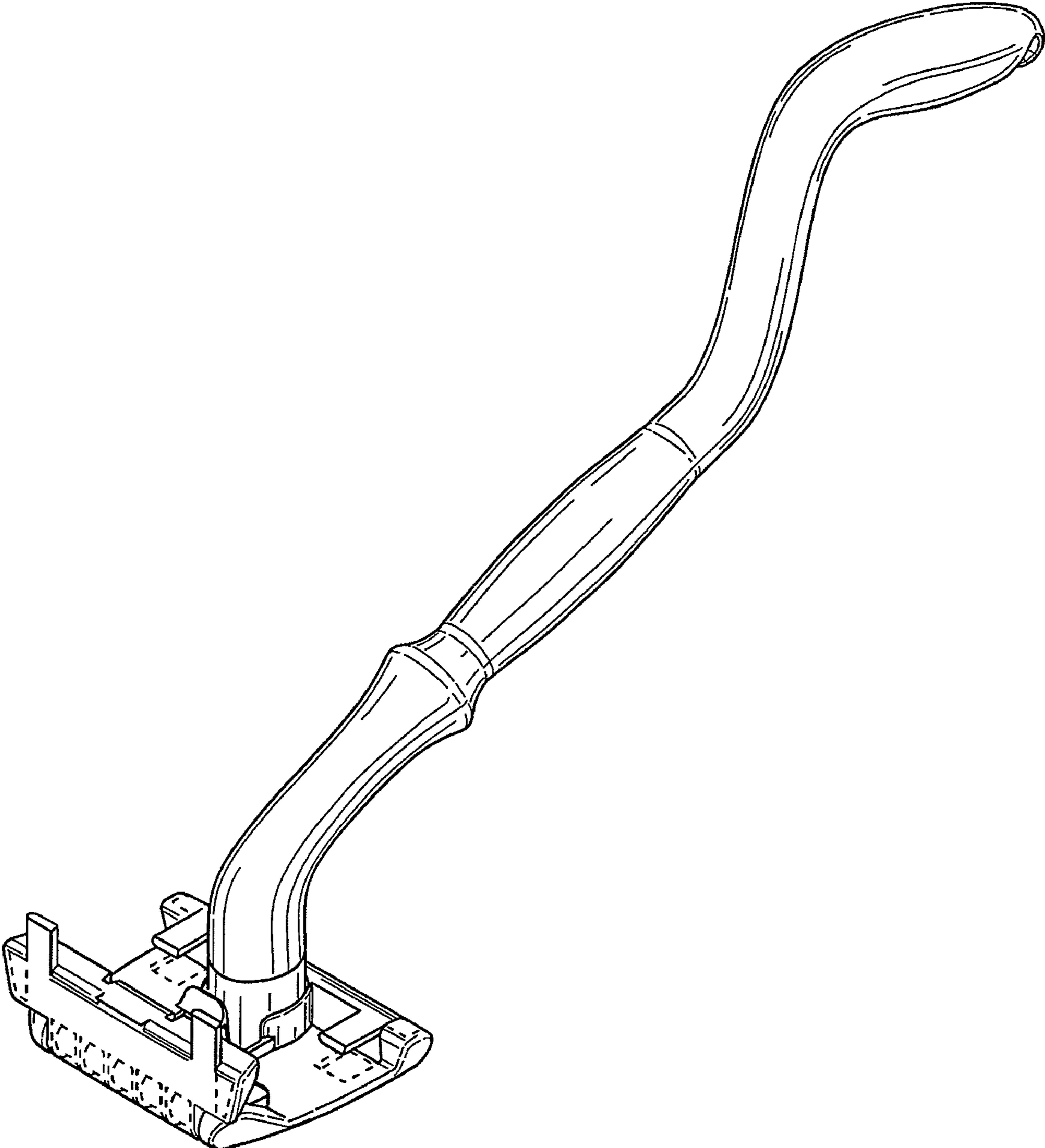


FIG. 3

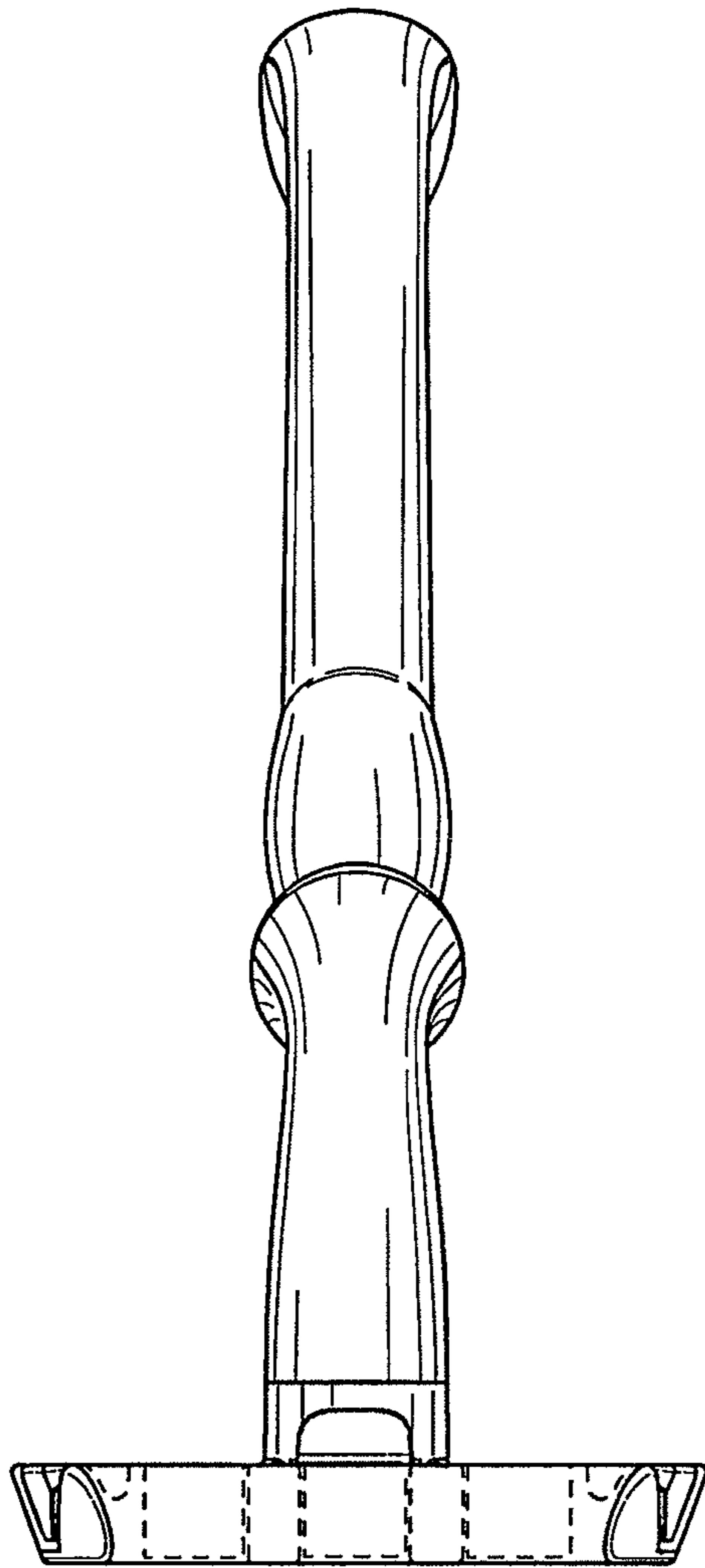


FIG. 4

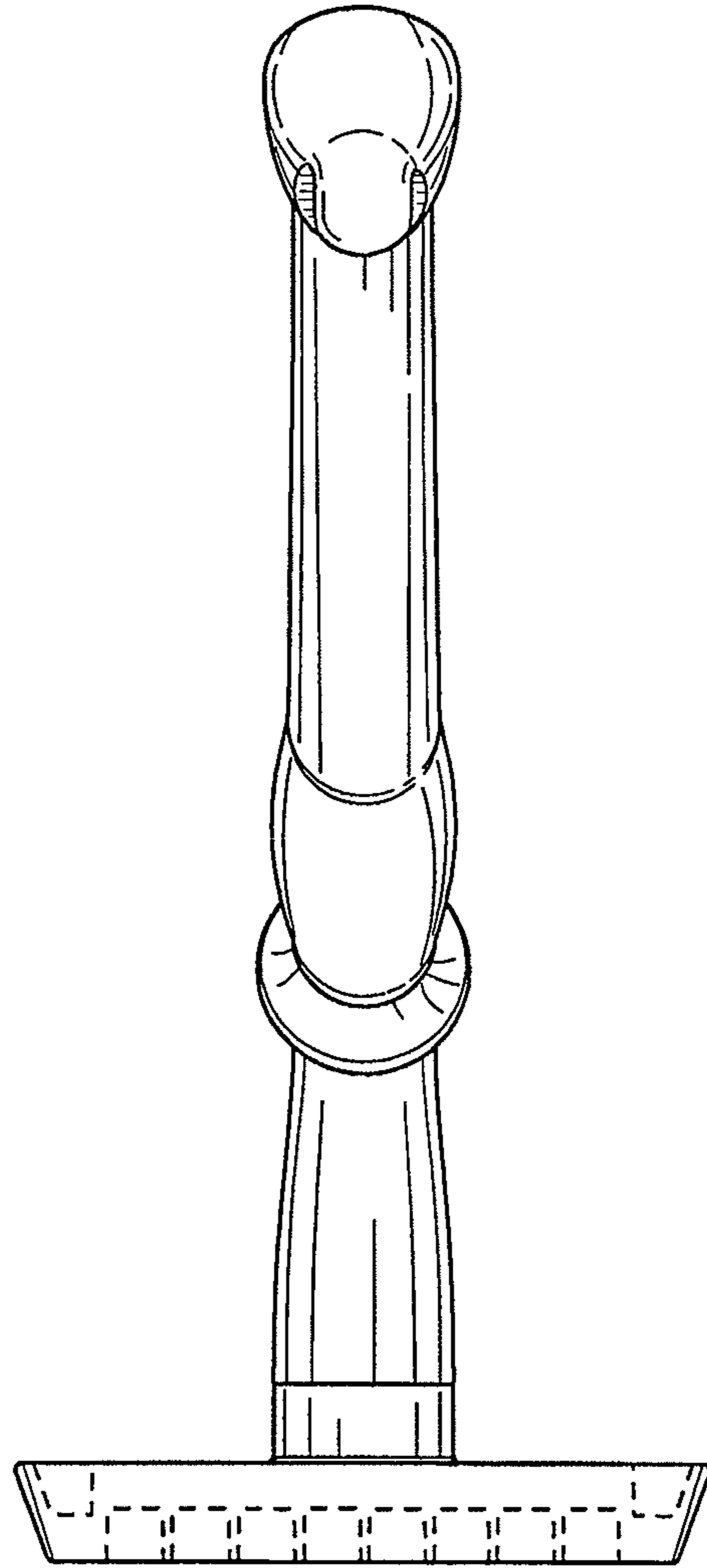


FIG. 5

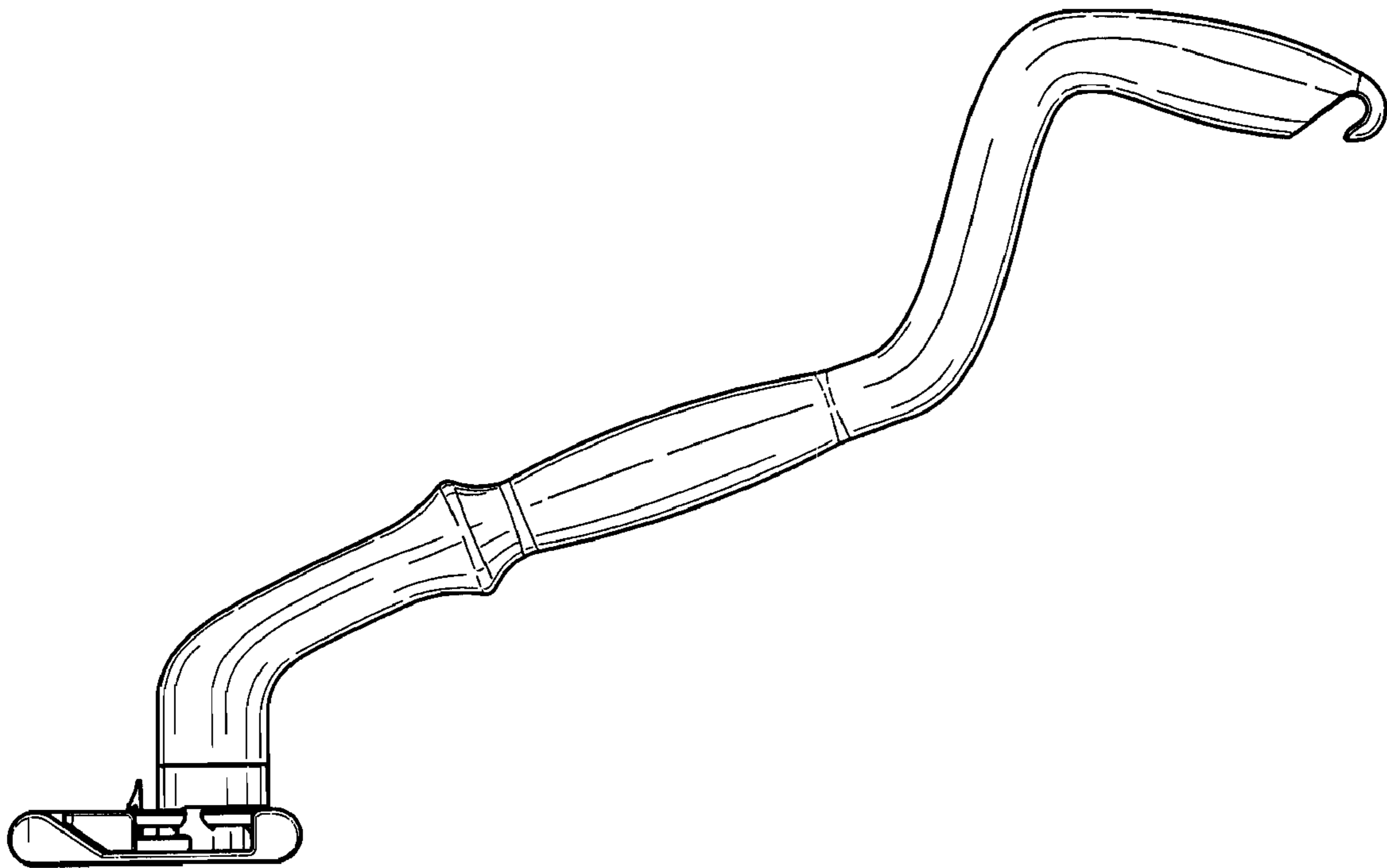


FIG. 6

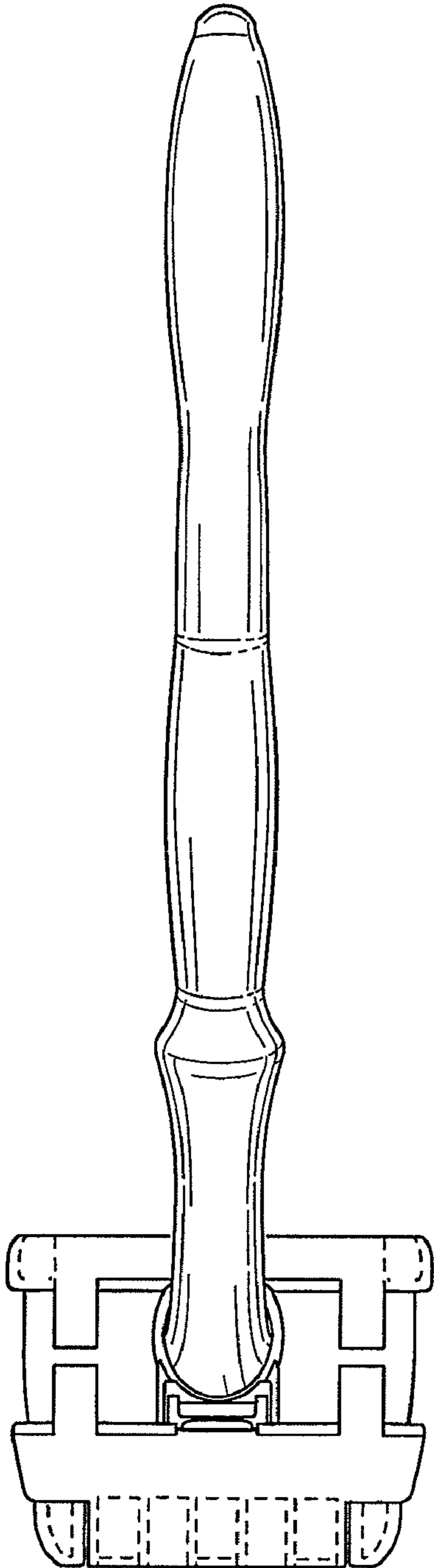


FIG. 7

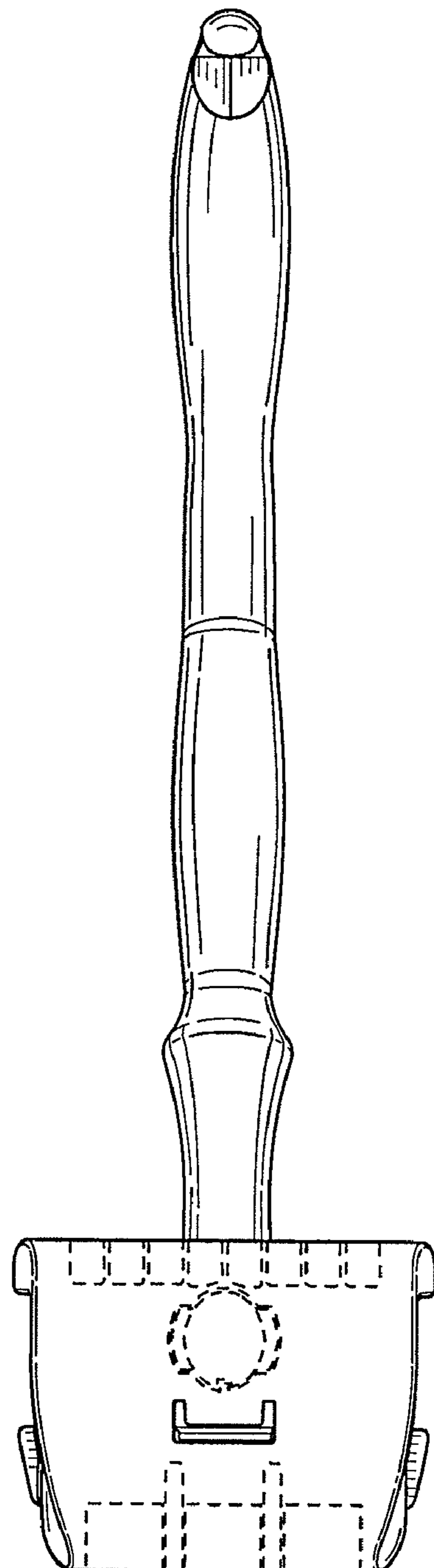


FIG. 8