



US00D629982S

(12) **United States Design Patent**  
**Rossano et al.**

(10) **Patent No.:** **US D629,982 S**  
(45) **Date of Patent:** **\*\* Dec. 28, 2010**

(54) **VACUUM HEAD**

(75) Inventors: **Martin Rossano**, Montreal (CA); **Alain Cong Son Kieu**, Blainville (CA); **Sophie Pesant**, Anjou (CA)

(73) Assignee: **Produits de Piscines CPA Inc./CPA Pool Products Inc.**, Mirabel, Quebec (CA)

(\*\*) Term: **14 Years**

(21) Appl. No.: **29/311,998**

(22) Filed: **Aug. 20, 2009**

(51) **LOC (9) Cl.** ..... **15-05**

(52) **U.S. Cl.** ..... **D32/33**

(58) **Field of Classification Search** ..... D32/22,  
D32/31-33, 50-51, 38-39; 15/329, 350-351,  
15/361-362, 400, 410, 412, 414, 415.1-422,  
15/327.1-327.7, 340.2, 383, 1.51, 42, 41.1,  
15/398, 387, 1.7, 246.2

See application file for complete search history.

(56) **References Cited**

U.S. PATENT DOCUMENTS

4,254,525	A *	3/1981	Combest	15/1.7
4,498,206	A *	2/1985	Braukmann	15/1.7
4,692,956	A *	9/1987	Kassis	15/1.7
D313,879	S *	1/1991	Ito	D32/22
5,386,607	A *	2/1995	Sebor	15/1.7
5,398,361	A *	3/1995	Cason	15/1.7
5,987,700	A *	11/1999	Edlund	15/420
D487,947	S *	3/2004	Pecci et al.	D32/32
D544,664	S *	6/2007	Santiago et al.	D32/39
7,370,390	B1 *	5/2008	Muller	15/415.1
7,437,790	B1 *	10/2008	Ajello	15/1.7

7,520,015	B1 *	4/2009	Ajello	15/1.7
D612,116	S *	3/2010	Nicholas	D32/33
2006/0265820	A1 *	11/2006	Erlich et al.	15/1.7
2007/0169289	A1 *	7/2007	Hanvey et al.	15/1.7
2008/0313827	A1 *	12/2008	Paxton	15/1.7

OTHER PUBLICATIONS

Vac Head DLX W/Bumper (VL). Retrieved from Interenet: www.shoppools.net/.../Manual-Vacuum/page2.html. Retrieved on Apr. 20, 2010.\*

Magnor Vacuum Head (all brush). Retrieved from Internet: 222.pooltechnix.com/au/.../Pool/CEMGN991. Retrieved on Apr. 21, 2010.\*

\* cited by examiner

Primary Examiner—Ruth McInroy

(74) Attorney, Agent, or Firm—Jacobson Holman PLLC

(57) **CLAIM**

The ornamental design for a vacuum head, as shown and described.

**DESCRIPTION**

FIG. 1 is a perspective view showing our new design for a vacuum head,

FIG. 2 is a front view thereof,

FIG. 3 is a rear view thereof,

FIG. 4 is a left side thereof,

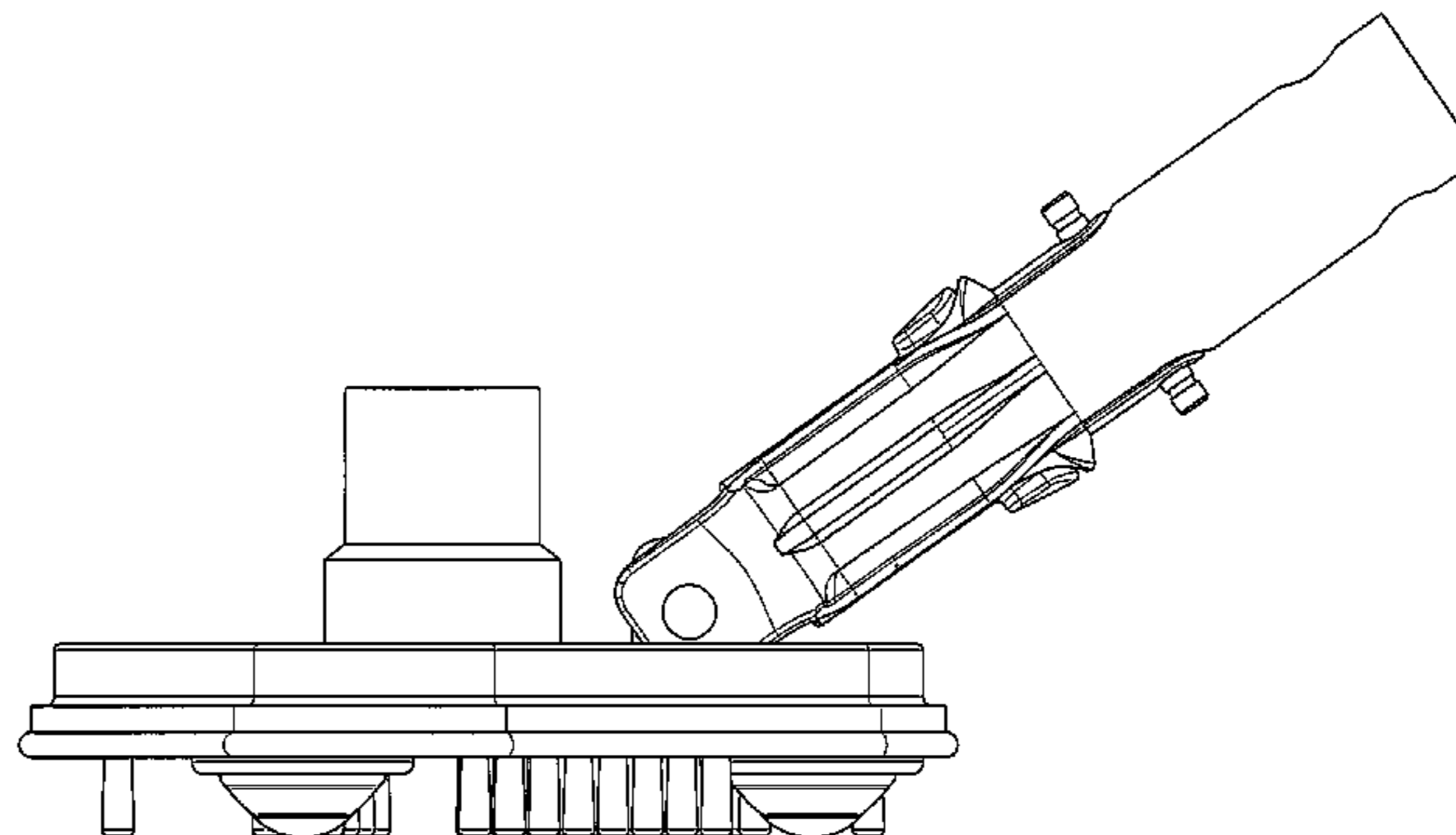
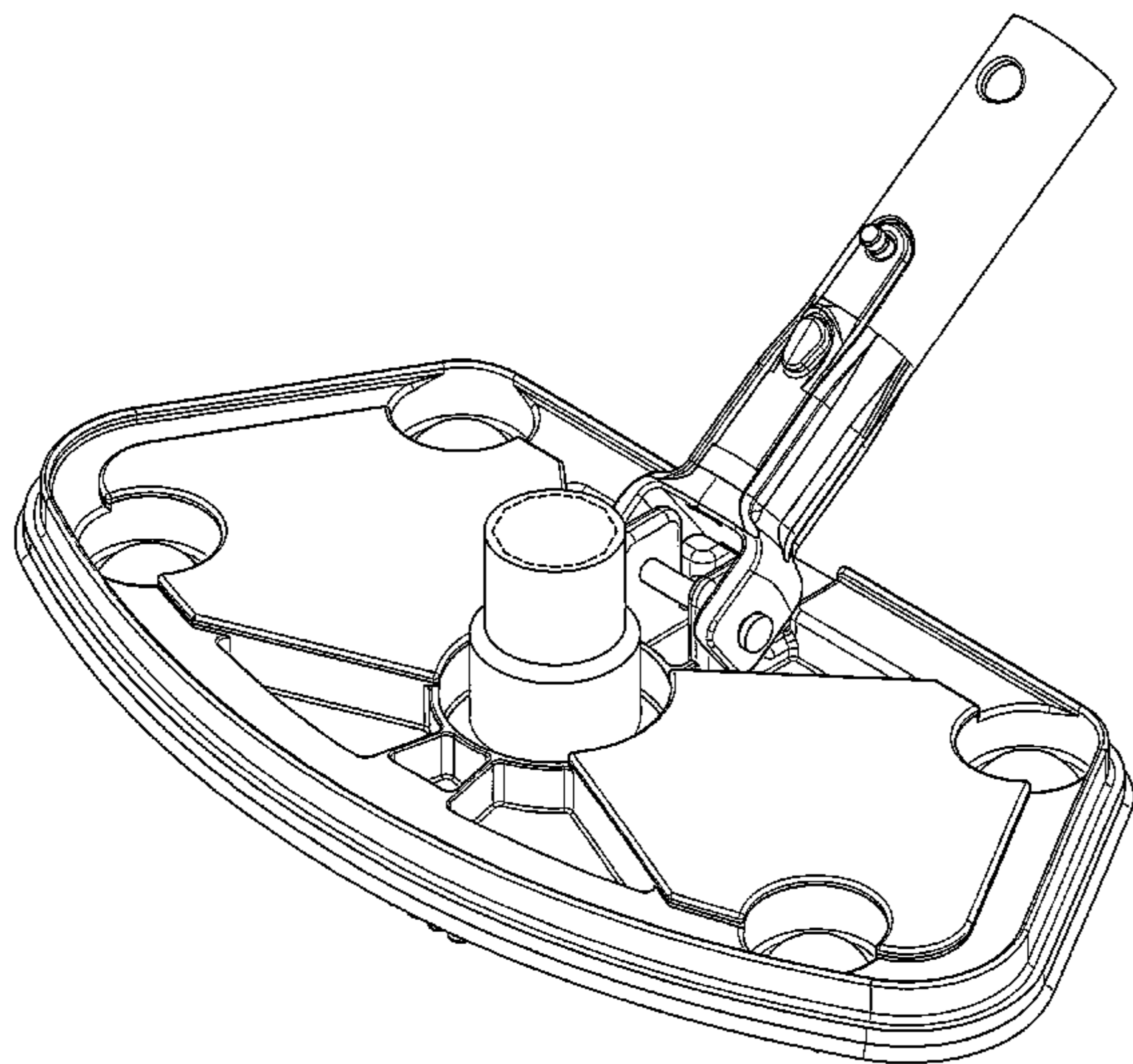
FIG. 5 is a right side thereof,

FIG. 6 is a top plan view thereof; and,

FIG. 7 is a bottom view thereof.

The dotted lines are for illustrative purposes only, forming no part of the claimed design.

**1 Claim, 7 Drawing Sheets**



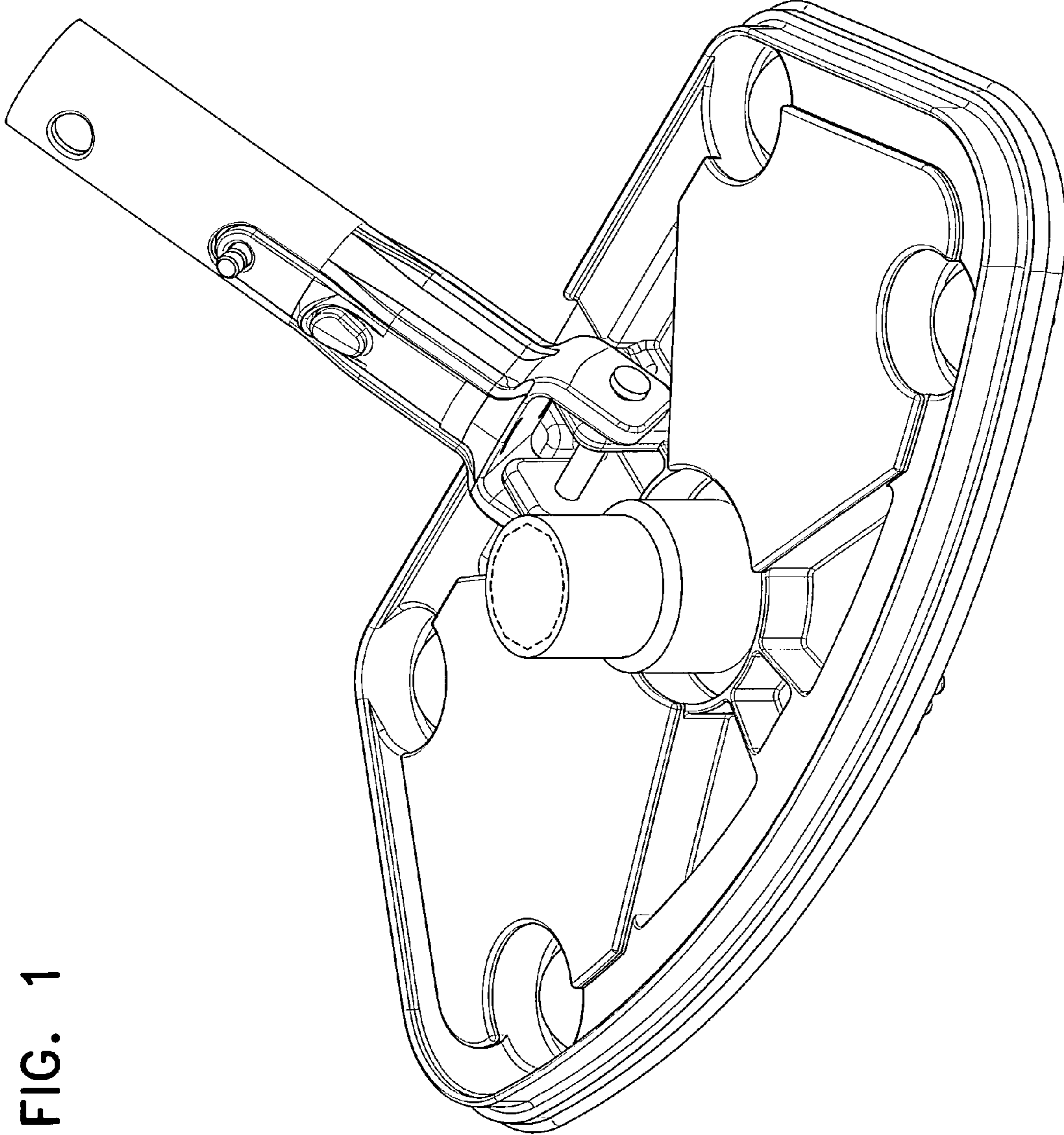


FIG. 1

FIG. 2

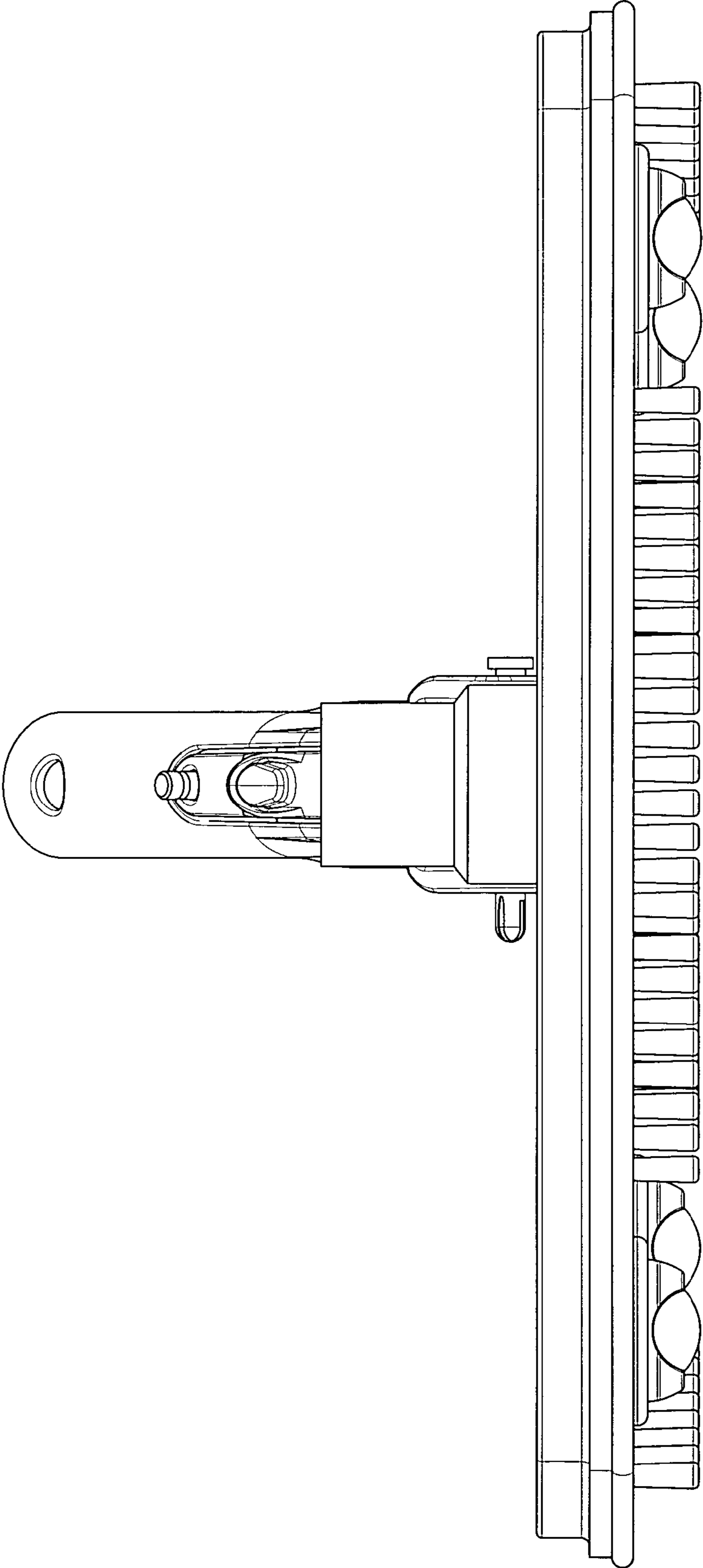


FIG. 3

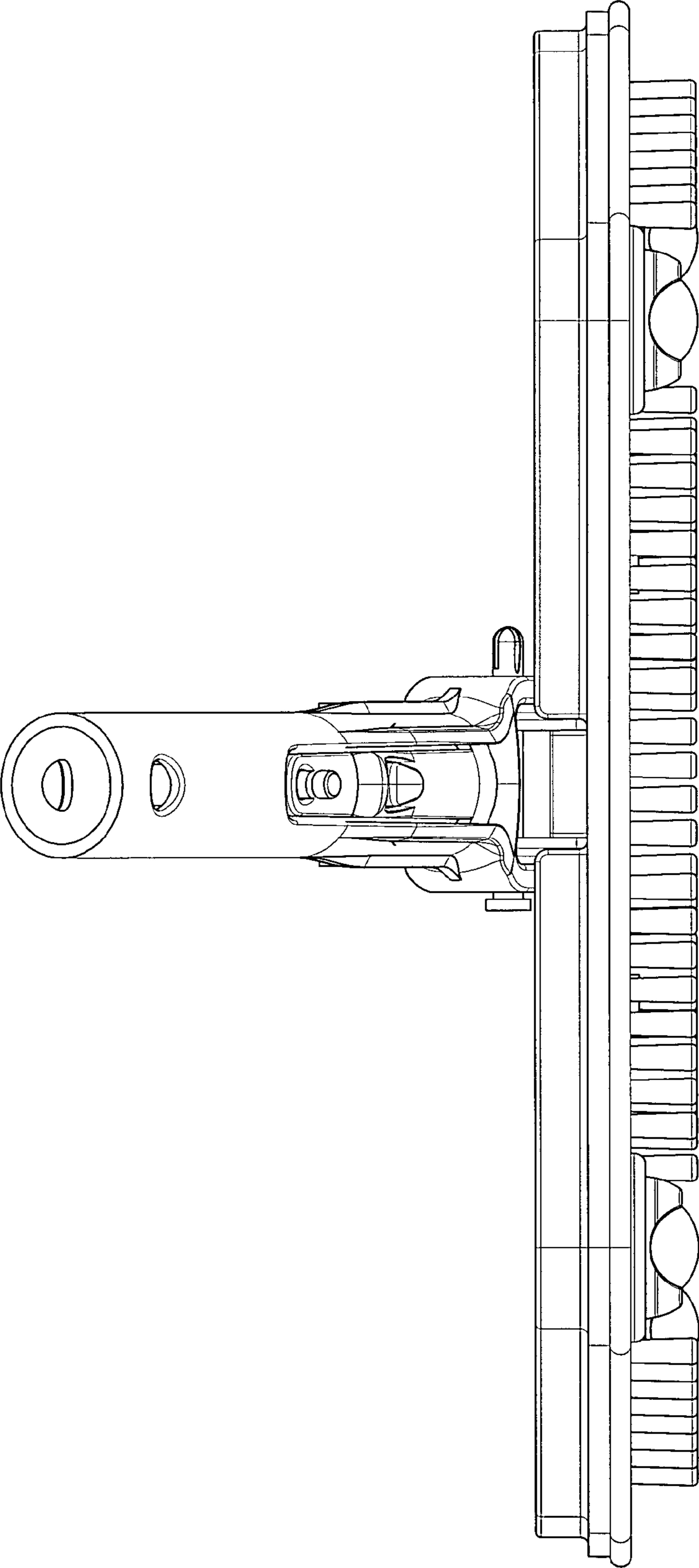


FIG. 4

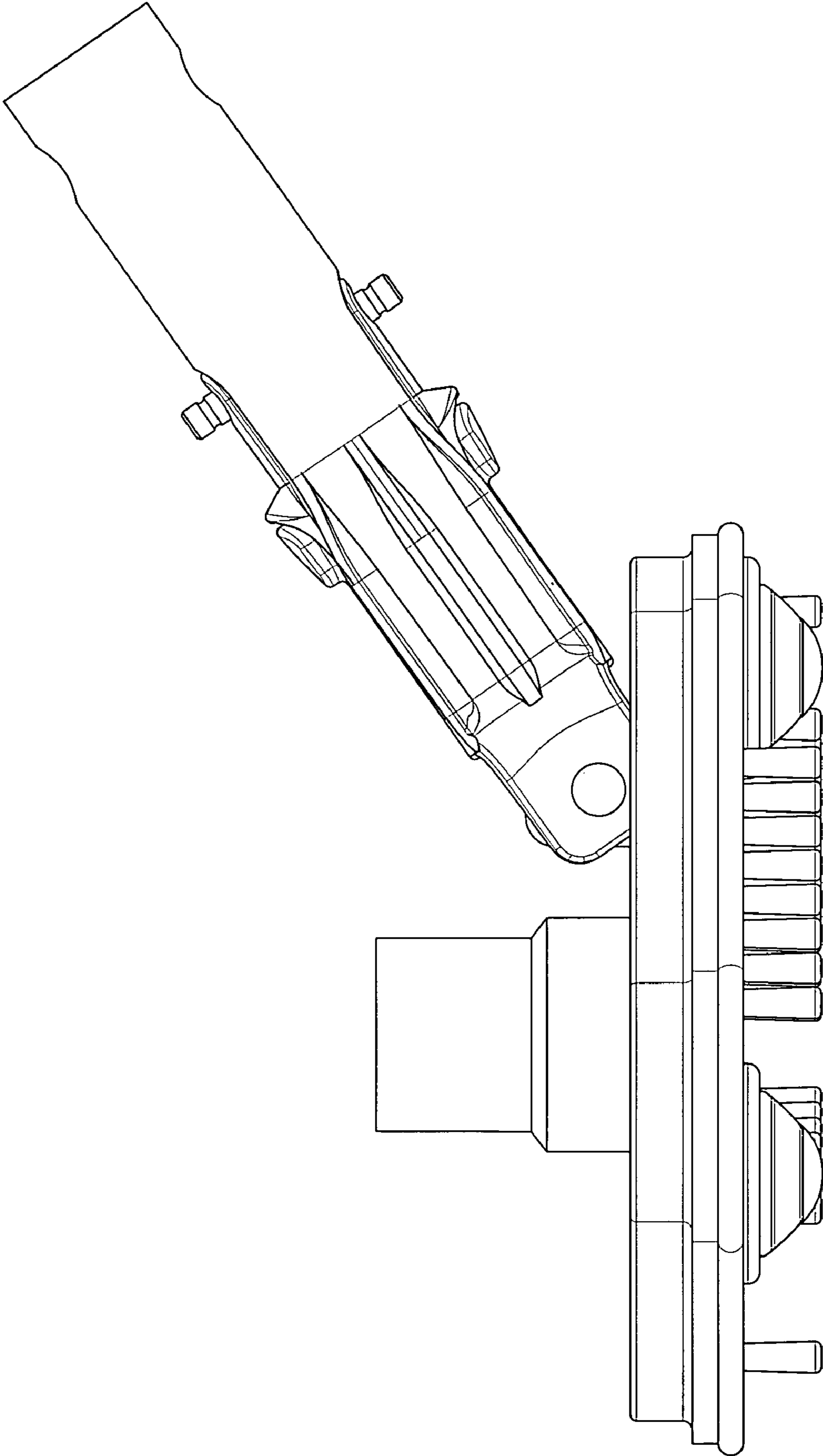
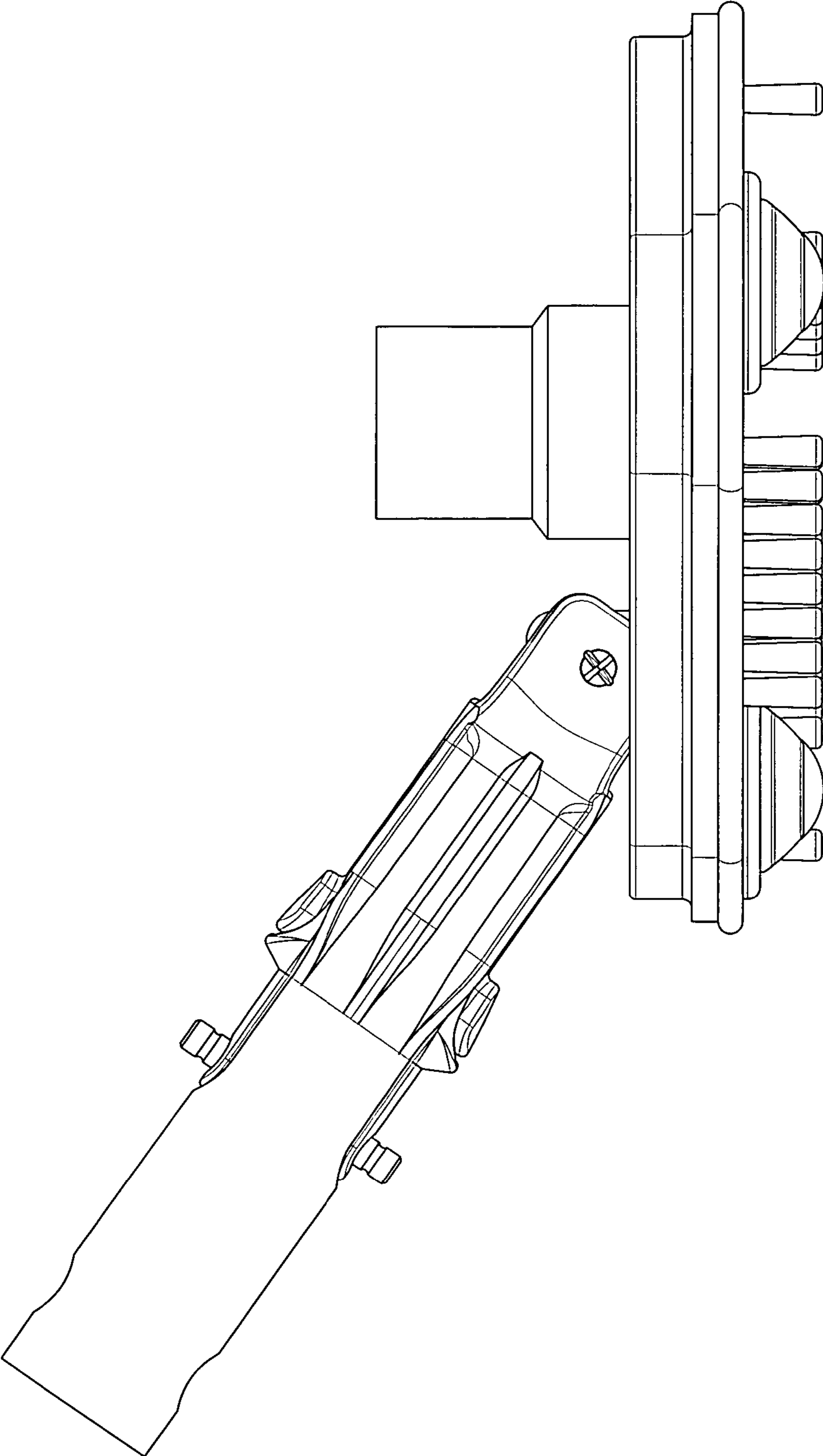


FIG. 5



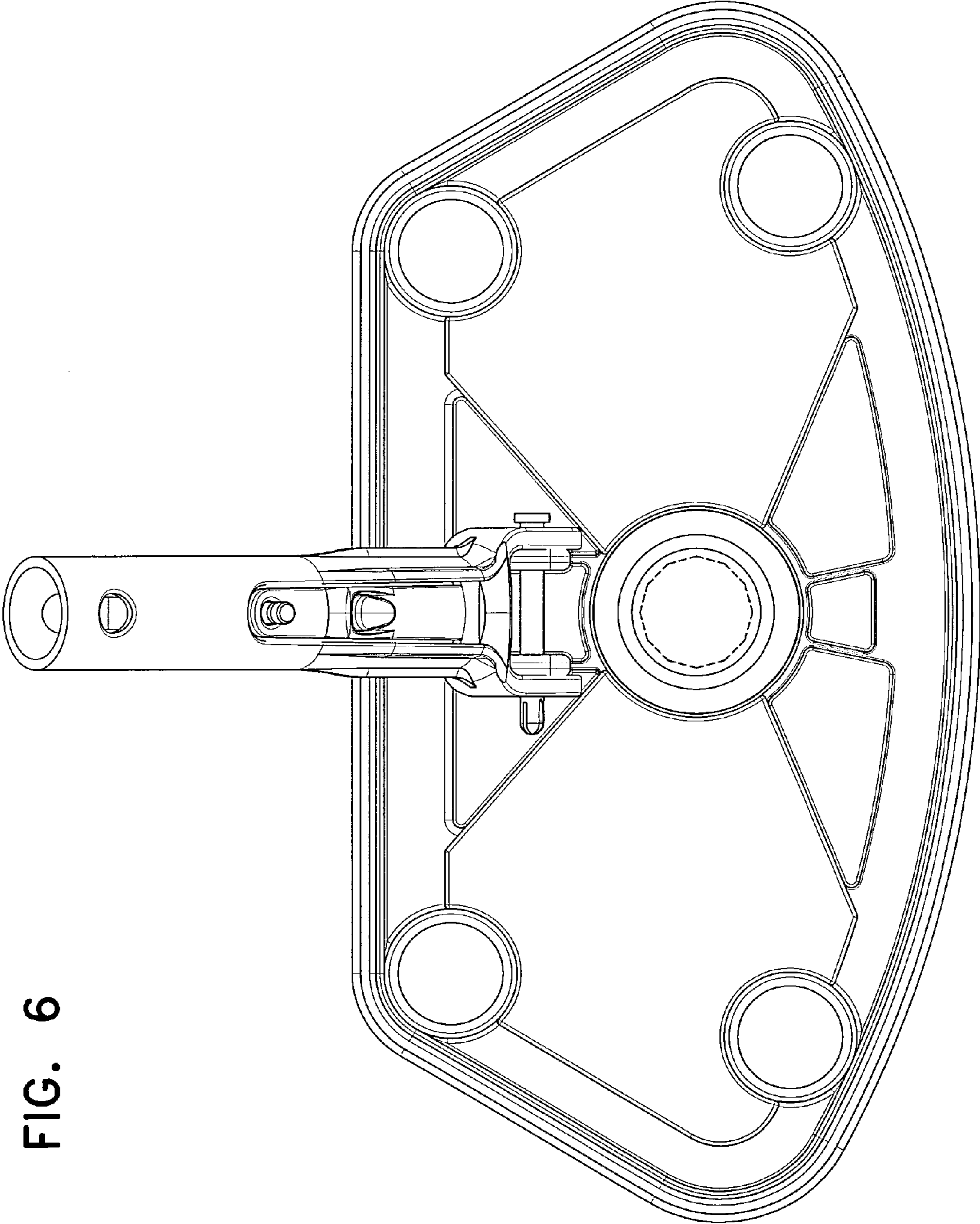


FIG. 6

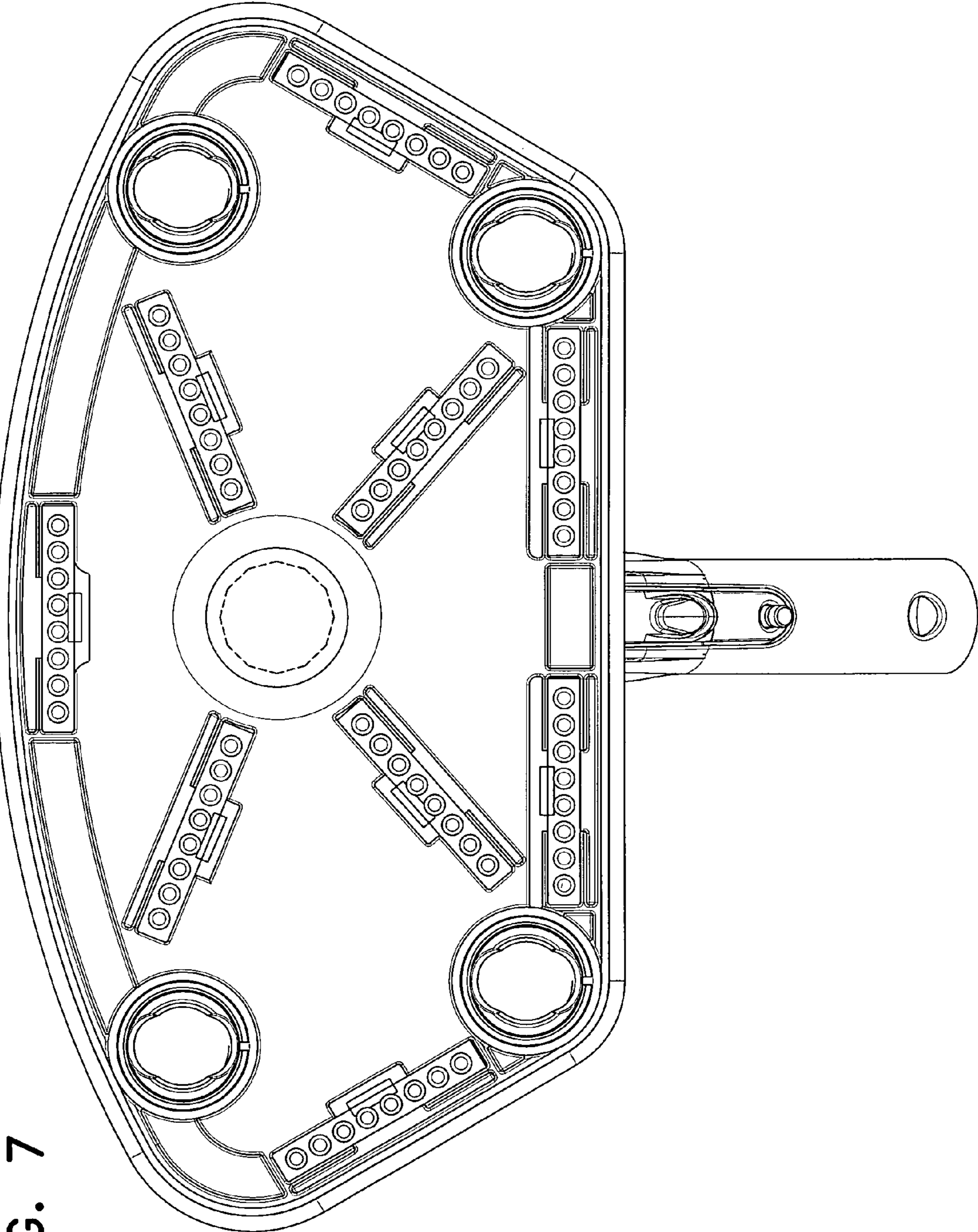


FIG. 7