



US00D629979S

(12) **United States Design Patent**  
**Kaczmarek**

(10) **Patent No.:** **US D629,979 S**  
(45) **Date of Patent:** **\*\* Dec. 28, 2010**

(54) **DISHWASHER CONTROL PANEL**  
(75) Inventor: **Wolfgang Kaczmarek**, Schwindegg  
(DE)  
(73) Assignee: **BSH Bosch und Siemens Hausgeraete GmbH**, Munich (DE)  
(\*\*) Term: **14 Years**  
(21) Appl. No.: **29/356,976**  
(22) Filed: **Mar. 5, 2010**

5,365,959 A \* 11/1994 Favaro ..... 134/113  
D501,963 S \* 2/2005 Kaczmarek ..... D32/3  
D511,870 S \* 11/2005 Paik ..... D32/2  
D512,543 S \* 12/2005 Jeong ..... D32/2  
D513,548 S \* 1/2006 Jeong ..... D32/2  
D515,255 S \* 2/2006 Jeong ..... D32/3  
D527,572 S \* 9/2006 Lee et al. .... D7/350.1  
D539,992 S \* 4/2007 Yamamoto et al. .... D32/2  
D543,321 S \* 5/2007 Jeon et al. .... D32/2  
D559,478 S \* 1/2008 Jung et al. .... D32/2  
D568,563 S \* 5/2008 Stephens ..... D32/28

\* cited by examiner

*Primary Examiner*—T. Chase Nelson  
*Assistant Examiner*—Kathleen M Sims

(74) *Attorney, Agent, or Firm*—James E. Howard; Andre Pallapies

**Related U.S. Application Data**

(62) Division of application No. 29/313,265, filed on Dec. 19, 2008, now Pat. No. Des. 617,510.

**Foreign Application Priority Data**

Jul. 8, 2008 (EM) ..... 000973557

(51) **LOC (9) Cl.** ..... **15-05**  
(52) **U.S. Cl.** ..... **D32/3**  
(58) **Field of Classification Search** ..... D32/1-3,  
D32/28; 68/212; 312/31; 134/56 D, 57 D,  
134/58 DL, 113, 201; D7/340, 348-351,  
D7/405

See application file for complete search history.

(56) **References Cited**

**U.S. PATENT DOCUMENTS**

D310,616 S \* 9/1990 Murai et al. .... D7/351

(57) **CLAIM**

The ornamental design for a dishwasher control panel, as shown and described.

**DESCRIPTION**

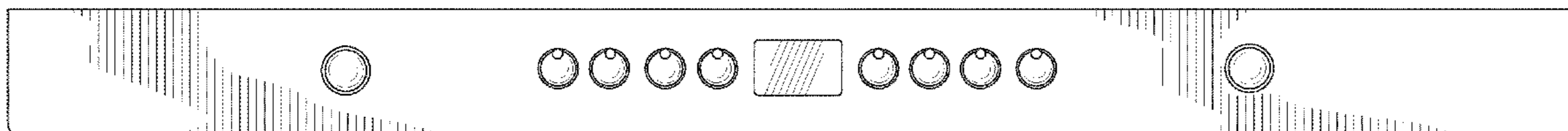
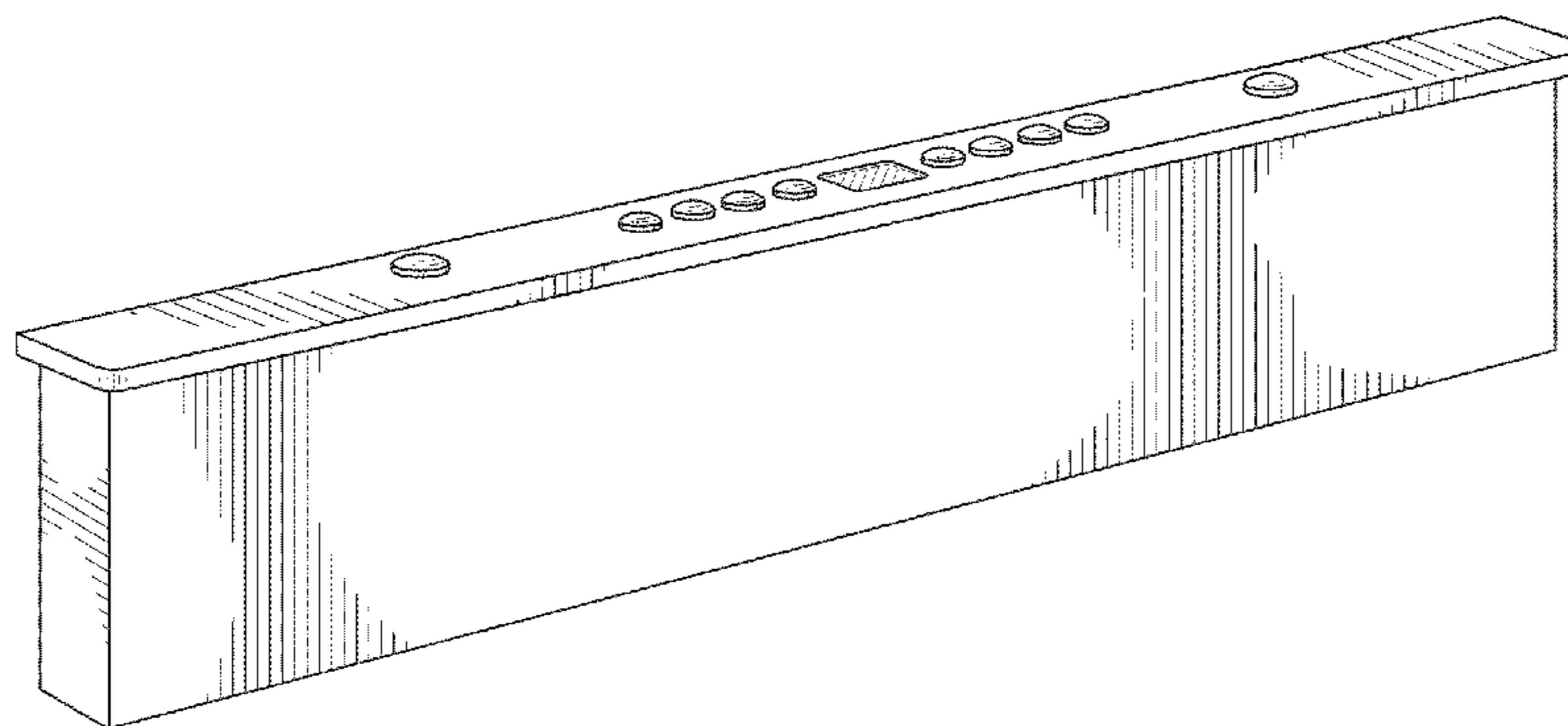
FIG. 1 is a perspective view of a first embodiment for a dishwasher control panel showing my new design;

FIG. 2 is a top view thereof;

FIG. 3 is a perspective view of a second embodiment of a dishwasher control panel; and,

FIG. 4 is a top view thereof.

**1 Claim, 4 Drawing Sheets**



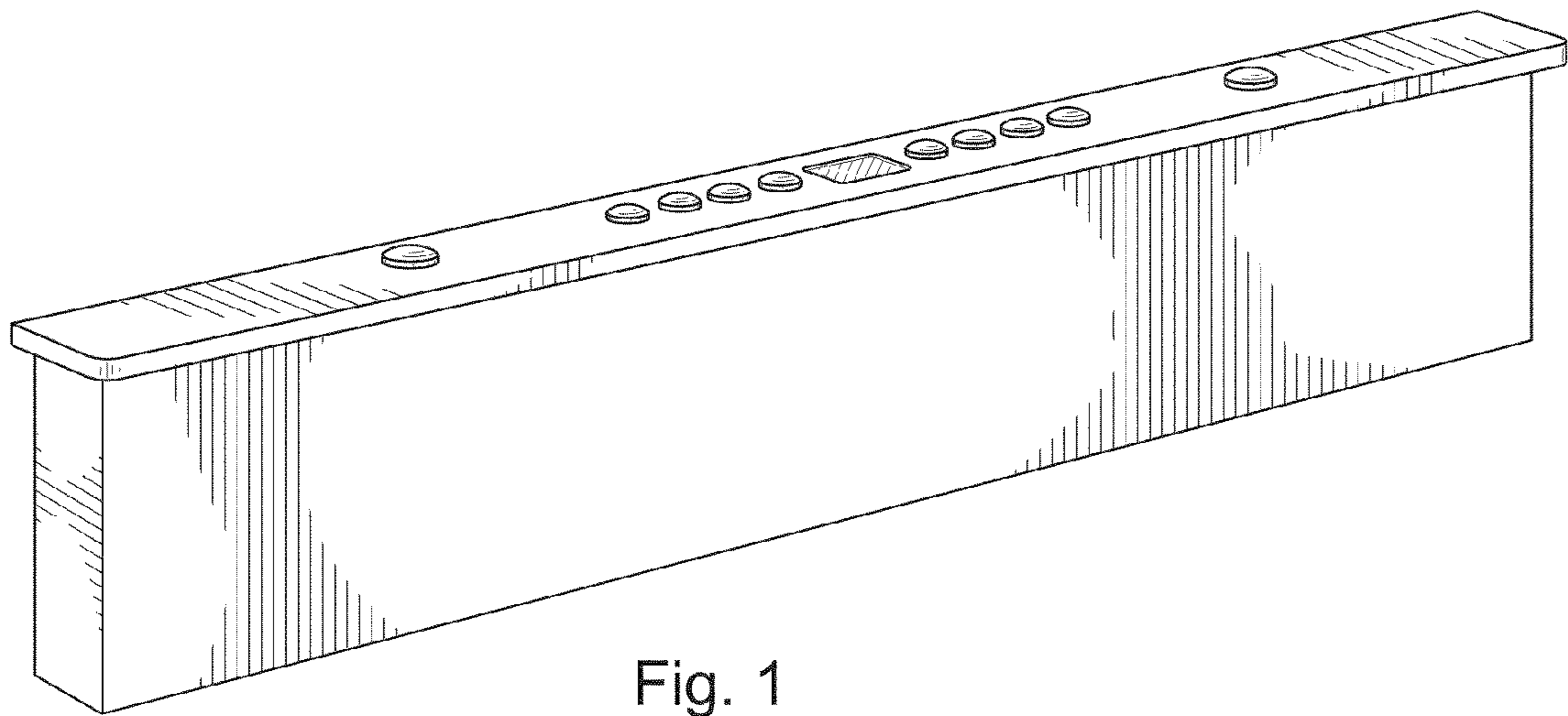


Fig. 1

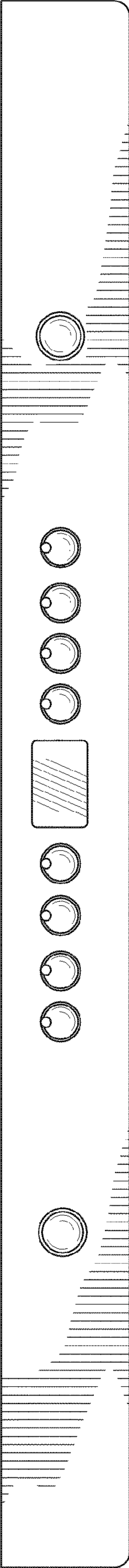


Fig. 2

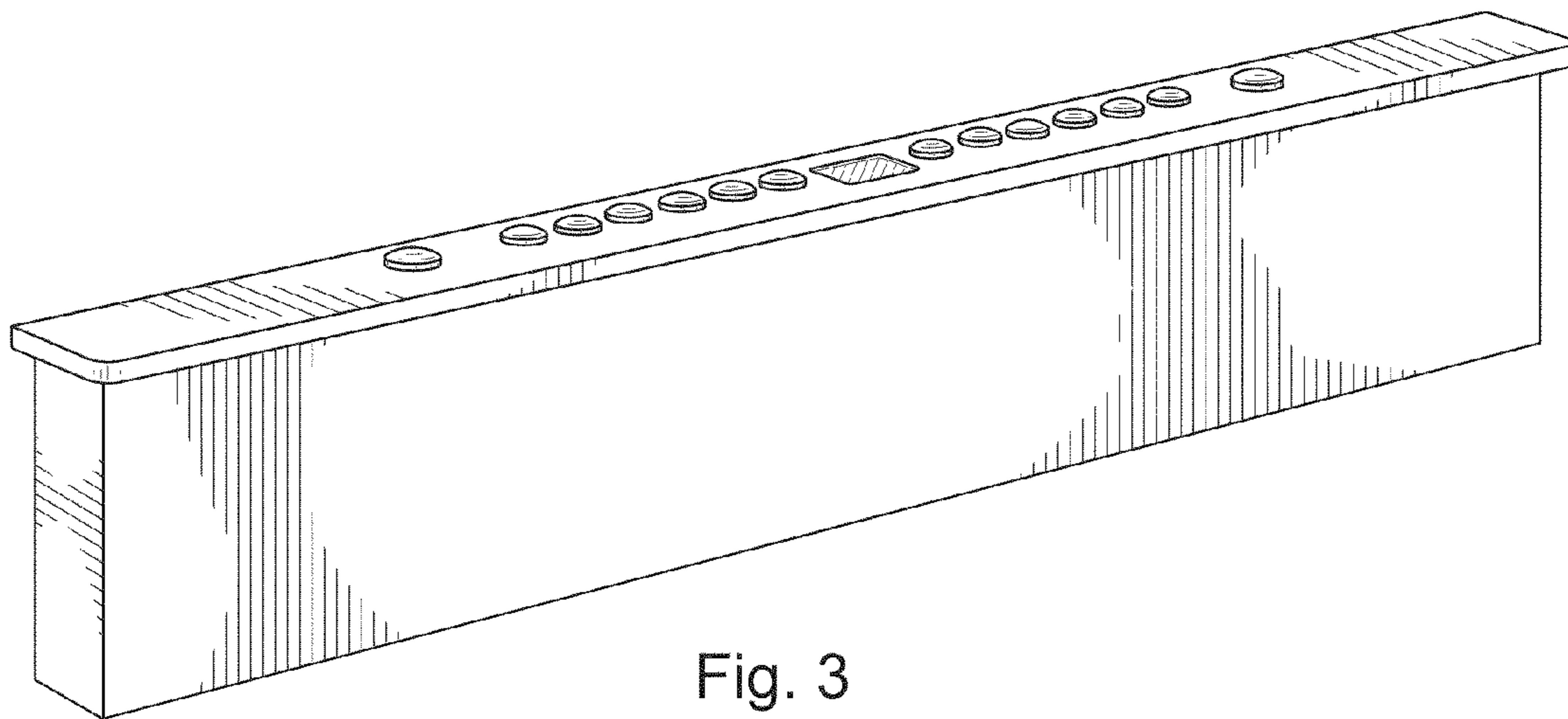


Fig. 3

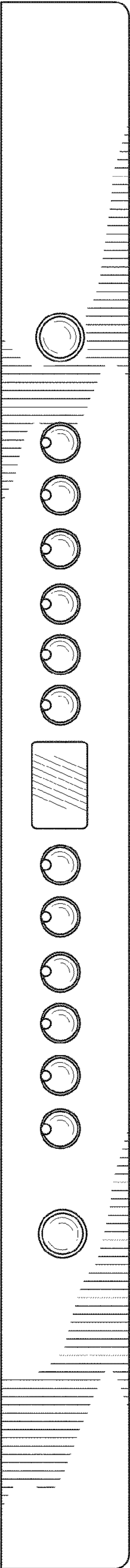


Fig. 4