



US00D629976S

(12) **United States Design Patent**  
**Meritt**

(10) **Patent No.:** **US D629,976 S**  
(45) **Date of Patent:** **\*\* Dec. 28, 2010**

(54) **ANIMAL FEEDER**

587,803 A \* 8/1897 Ewer ..... 4/144.1

(75) Inventor: **Rick Meritt**, Gilmer, TX (US)

(Continued)

(73) Assignee: **Rick Meritt Investments, Ltd.**, Gilmer, TX (US)

FOREIGN PATENT DOCUMENTS

GB 2129266 A 5/1984  
GB 2193782 A 2/1988

(\*\*) Term: **14 Years**

OTHER PUBLICATIONS

(21) Appl. No.: **29/345,590**

Advertisement (Mumme's Inc.) (1 page), Texas Deer Association Tracks, vol. 6, Issue 3 (May/Jun. 2005), p. 51.

(22) Filed: **Oct. 19, 2009**

(Continued)

**Related U.S. Application Data**

*Primary Examiner*—Susan Moon Lee

(63) Continuation of application No. 29/296,682, filed on Oct. 25, 2007, now Pat. No. Des. 602,649, which is a continuation of application No. 11/160,611, filed on Jun. 30, 2005, now Pat. No. 7,370,605, which is a continuation-in-part of application No. 09/920,231, filed on Aug. 1, 2001, now Pat. No. 6,920,841.

(74) *Attorney, Agent, or Firm*—Gardere Wynne Sewell, LLP

(57) **CLAIM**

The ornamental design for an animal feeder, as shown and described.

**DESCRIPTION**

(51) **LOC (9) Cl.** ..... **30-03**

FIG. 1 is a perspective view of an animal feeder according to my new design;

(52) **U.S. Cl.** ..... **D30/133**

FIG. 2 is a front elevation view of the animal feeder shown in FIG. 1;

(58) **Field of Classification Search** ..... D30/133, D30/121, 122, 124, 127, 128, 132; 119/51.01, 119/61, 51.04, 53, 57.91, 54, 53.5, 52.4, 119/51.11, 63, 61.2, 52.1, 57.5, 57.6, 51.13, 119/62, 75, 500, 501; 239/7, 687, 379, 397.5; 222/199, 181.1, 181.2, 185.1, 557, 156, 485, 222/486, 548, 555; 220/200, 227, 247, 262; 221/174, 185.1, 289, 295, 296, 559; 454/35; 209/270, 283, 244; 52/194, 192; 49/279, 49/344, 357; D34/28

FIG. 3 is a rear elevation view of the animal feeder shown in FIG. 1;

FIG. 4 is a right side elevation view of the animal feeder shown in FIG. 1;

FIG. 5 is a left side elevation view of the animal feeder shown in FIG. 1;

See application file for complete search history.

FIG. 6 is a top plan view of the animal feeder shown in FIG. 1; and,

FIG. 7 is a bottom plan view of the animal feeder shown in FIG. 1.

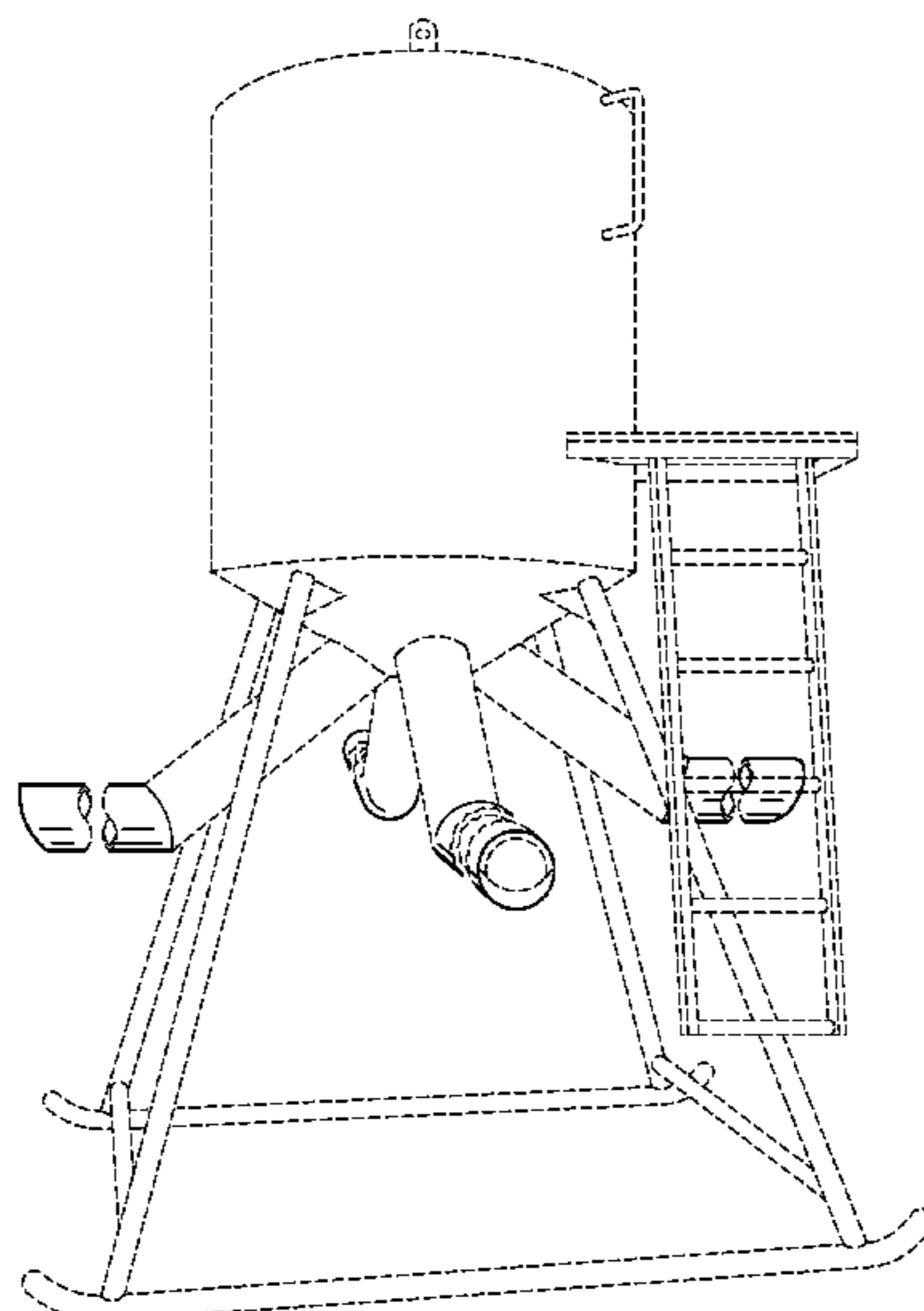
(56) **References Cited**

The broken lines are for illustrative purposes only and form no part of the claimed design.

U.S. PATENT DOCUMENTS

347,416 A \* 8/1886 Buckingham ..... 138/119  
411,140 A 9/1889 Farrington et al.  
423,712 A 3/1890 Arnold  
485,142 A 10/1892 Stephens

**1 Claim, 7 Drawing Sheets**



# US D629,976 S

Page 2

U.S. PATENT DOCUMENTS								
1,214,881	A	2/1917	Bemtzen	4,397,304	A *	8/1983	Villain	126/593
1,237,016	A *	8/1917	Brown	D271,090	S *	10/1983	Edgar et al.	D11/131
1,239,404	A	9/1917	Knoll, Jr.	D271,963	S *	12/1983	Perkins	D12/194
1,309,671	A	7/1919	Weaver	D273,715	S	5/1984	Sher	
1,355,399	A *	10/1920	Kelley	D275,228	S *	8/1984	Nishigaki	D24/138
1,359,691	A	11/1920	Genuit	4,508,303	A *	4/1985	Beckerer, Jr.	248/311.2
1,561,299	A	11/1925	Banks	D279,717	S *	7/1985	Mau et al.	D26/101
1,563,816	A	12/1925	Worthington	4,538,548	A	9/1985	Page	
D77,948	S	3/1929	Evans	4,542,930	A	9/1985	Adams	
D92,312	S	5/1934	Kanter	4,580,528	A	4/1986	Kendall	
2,136,956	A	11/1938	Schmitt	4,601,414	A	7/1986	Lawson	
D130,681	S *	12/1941	Decker	4,608,046	A *	8/1986	Towfigh	604/329
2,454,721	A	11/1948	Severance et al.	4,621,737	A *	11/1986	Casey	211/70.5
D152,655	S	2/1949	Rossell	H000176	H	12/1986	Johnstone, Jr.	
2,464,278	A	3/1949	Wilson	D288,608	S *	3/1987	Dahlberg	D24/122
D161,749	S *	1/1951	Griner	4,653,195	A *	3/1987	Esparza	33/529
D163,955	S *	7/1951	McCartney	4,707,389	A	11/1987	Ward	
2,583,203	A	1/1952	Bergeron	4,719,875	A	1/1988	Van Gilst	
2,619,252	A	11/1952	De Hoffmann	D295,091	S	4/1988	Swartzendruber	
2,638,871	A	5/1953	Ruedemann	4,815,621	A	3/1989	Bartis	
2,654,346	A	10/1953	Goff	4,859,423	A	8/1989	Perlman	
D171,639	S	3/1954	Clemens, Jr.	D305,193	S *	12/1989	Sajadieh	D7/509
2,756,032	A	7/1956	Dowell	D305,804	S *	1/1990	Browning et al.	D27/163
2,760,807	A	8/1956	Watson	4,956,821	A	9/1990	Fenelon	
2,761,597	A *	9/1956	Stukey	4,971,366	A	11/1990	Towsley	
2,808,029	A	10/1957	Geerling	4,986,220	A	1/1991	Reneau et al.	
2,881,947	A	4/1959	Hancock	4,997,284	A	3/1991	Tousignant et al.	
2,886,002	A	5/1959	O'Malley et al.	D319,759	S	9/1991	Bookout	
D187,929	S	5/1960	Rensch	D319,794	S *	9/1991	Elkins	D10/68
2,988,047	A	6/1961	Hurdle	5,061,180	A *	10/1991	Wiele	433/91
3,007,618	A	11/1961	Davis et al.	5,069,164	A	12/1991	Wiwi	
3,034,480	A	5/1962	French	5,086,730	A	2/1992	Figley	
D194,594	S	2/1963	Juculano	5,090,743	A	2/1992	Obering	
3,104,778	A *	9/1963	Leonard	D326,741	S *	6/1992	Powers	D30/121
3,128,560	A *	4/1964	McKenzie	5,130,496	A *	7/1992	Jenkins	174/135
3,131,511	A *	5/1964	Deaner	5,143,289	A	9/1992	Gresham et al.	
3,318,473	A	5/1967	Jones et al.	5,183,298	A	2/1993	Harrington	
3,386,756	A	6/1968	Primm	D333,841	S *	3/1993	Henricksen	D19/78
3,487,433	A	12/1969	Fleming	5,195,459	A	3/1993	Ancketill	
3,515,098	A	6/1970	Thurmond	D336,554	S	6/1993	Reeder	
3,613,641	A	10/1971	Geerlings	5,218,784	A	6/1993	Pollock	
3,636,983	A *	1/1972	Keyser	D340,516	S	10/1993	Too	
3,655,011	A *	4/1972	Willett	5,273,454	A *	12/1993	Shotey	439/367
3,658,211	A	4/1972	Kitchens	5,275,131	A	1/1994	Brake et al.	
D226,507	S *	3/1973	Wright	5,333,572	A	8/1994	Nutt	
3,720,235	A *	3/1973	Schrock	5,339,996	A	8/1994	Dubbert et al.	
3,730,142	A	5/1973	Kahrs et al.	5,372,093	A *	12/1994	Pooshs	119/51.11
3,780,701	A	12/1973	Wentworth, Sr.	5,405,047	A *	4/1995	Hansen	221/190
D232,552	S	8/1974	Wtson	5,410,986	A	5/1995	Washam	
3,856,315	A *	12/1974	Stansbury	5,435,267	A	7/1995	Patterson	
3,873,391	A	3/1975	Plauka et al.	5,450,677	A *	9/1995	Casey	33/529
D237,001	S *	9/1975	Von Serda	5,464,257	A	11/1995	Riddles et al.	
3,902,460	A	9/1975	Franklin	D367,093	S	2/1996	Weir	
3,977,045	A *	8/1976	Saurenman	5,503,090	A *	4/1996	Guzan	111/7.2
D242,933	S *	1/1977	Brubaker et al.	D371,228	S	6/1996	Monin	
D243,559	S	3/1977	Hoyle et al.	5,533,646	A	7/1996	Dildine	
D244,857	S *	6/1977	Hayes	5,544,764	A *	8/1996	Cima	211/60.1
D245,048	S	7/1977	Pool	D373,659	S	9/1996	Miller	
D245,368	S *	8/1977	Mueller	D375,159	S *	10/1996	Johansson	D24/112
D246,603	S	12/1977	Frost	5,570,547	A	11/1996	Webb et al.	
4,163,474	A *	8/1979	MacDonald et al.	D382,748	S	8/1997	Riskey	
D256,623	S	8/1980	Lockwood	5,655,671	A *	8/1997	Barry et al.	211/70
D258,012	S	1/1981	Murphy	5,662,630	A *	9/1997	Raynie	604/349
D258,013	S	1/1981	Murphy	5,666,260	A *	9/1997	Pasmanik et al.	361/600
4,256,054	A *	3/1981	Hitchcock	D386,137	S	11/1997	Bailey	
4,291,809	A *	9/1981	Lyon	5,699,753	A	12/1997	Aldridge, III	
D262,144	S	12/1981	Sher	5,730,302	A	3/1998	Groene	
D262,408	S	12/1981	Whaling	5,740,757	A	4/1998	Smeester	
4,328,880	A	5/1982	Lapeyre	D394,178	S	5/1998	Gremchuck	
4,337,728	A	7/1982	Van Gilst et al.	5,753,158	A *	5/1998	Orsing	264/150
4,358,205	A	11/1982	Eakins	D397,527	S	8/1998	Bruder et al.	
				5,794,561	A	8/1998	Schulz	
				D401,016	S *	11/1998	Holliday	D28/73

# US D629,976 S

Page 3

5,862,777 A	1/1999	Sweeney		D559,470 S *	1/2008	Stevens et al.	D30/121
5,876,282 A *	3/1999	Kenny	454/367	D562,557 S *	2/2008	Lewis	D3/313
5,901,497 A *	5/1999	Bulvin	47/48.5	7,370,605 B2	5/2008	Meritt	
5,901,886 A	5/1999	Grindstaff et al.		D574,309 S *	8/2008	Unfried et al.	D12/194
5,906,174 A	5/1999	Muldoon		D574,932 S	8/2008	Zhuang	
5,934,222 A	8/1999	Hwang		D575,556 S *	8/2008	Rohkar, Jr.	D6/466
5,979,717 A	11/1999	Dalton et al.		D575,908 S	8/2008	Meritt	
D417,614 S	12/1999	Chu		7,475,796 B2	1/2009	Garton	
D420,316 S *	2/2000	Hanlon et al.	D12/194	D587,366 S *	2/2009	Turkat	D24/122
D421,650 S	3/2000	Liao		D588,166 S	3/2009	Lyons, III	
D421,821 S	3/2000	Kinjerski		D598,354 S *	8/2009	Nakazawa et al.	D12/194
D423,436 S *	4/2000	Larson	D12/194	D598,602 S *	8/2009	Laarman	D26/84
D426,734 S *	6/2000	Fuchs	D6/524	D599,503 S	9/2009	Meritt	
6,073,587 A	6/2000	Hill et al.		D602,647 S	10/2009	Polstein et al.	
6,082,300 A	7/2000	Futch		D603,104 S	10/2009	Meritt	
6,142,100 A	11/2000	Marchioro		D603,105 S	10/2009	Meritt	
D436,861 S	1/2001	Sagel et al.		D603,566 S	11/2009	Meritt	
6,199,509 B1	3/2001	Mostyn et al.		D604,017 S	11/2009	Meritt	
D445,062 S *	7/2001	Wong	D11/147	2002/0134850 A1	9/2002	Hollenberg	
D445,170 S *	7/2001	Speicher	D23/266	2005/0224126 A1 *	10/2005	Otani et al.	138/137
6,283,159 B1 *	9/2001	Tada	138/116	2005/0229860 A1 *	10/2005	Meritt	119/53
D450,456 S *	11/2001	Warren, III	D3/313	2005/0269367 A1	12/2005	Post	
6,328,184 B1	12/2001	Krol		2006/0048712 A1 *	3/2006	Boyer	119/57.91
6,329,602 B1	12/2001	Ushiyama et al.		2006/0060148 A1	3/2006	Boyer	
6,364,125 B1 *	4/2002	D'Angelo	211/10	2006/0283396 A1	12/2006	Hernandez	
D458,201 S *	6/2002	Warren	D12/194	2007/0028844 A1 *	2/2007	Bodenstab et al.	119/52.1
D460,726 S *	7/2002	Campbell et al.	D12/194	2008/0178815 A1	7/2008	Meritt	
6,435,134 B1	8/2002	Ho		2008/0178816 A1	7/2008	Meritt	
6,439,158 B1 *	8/2002	Blohm	119/57.8				
D464,875 S *	10/2002	Koppang	D9/711				
D466,809 S	12/2002	Sagel					
6,488,511 B1	12/2002	Stewart					
6,510,813 B1	1/2003	Boone, Jr.					
D469,926 S *	2/2003	Petrucelli	D28/73				
D476,451 S	6/2003	Morgan, Sr.					
6,591,990 B2 *	7/2003	Lanman et al.	211/10				
6,622,653 B1	9/2003	Starnes, Jr.					
6,637,595 B1	10/2003	Frossard et al.					
D486,946 S	2/2004	Castro					
D487,170 S	2/2004	Petrucelli					
6,691,640 B1	2/2004	Huckabee					
D488,889 S *	4/2004	Walsh	D30/121				
D490,352 S *	5/2004	Ward	D12/194				
6,763,781 B1	7/2004	Norrell					
D494,384 S	8/2004	Chandaria					
D495,186 S *	8/2004	Poupel et al.	D7/300.1				
6,786,180 B1	9/2004	Cheng					
D504,309 S	4/2005	Fuchs					
6,904,690 B2	6/2005	Bakke et al.					
6,920,841 B2	7/2005	Meritt					
6,959,664 B1 *	11/2005	Keuter et al.	119/54				
D520,423 S *	5/2006	Poole	D12/194				
7,059,355 B2 *	6/2006	Otani et al.	138/137				
D525,657 S *	7/2006	Warren, III	D19/77				
D528,488 S *	9/2006	Webb	D12/194				
7,143,721 B2	12/2006	Robbins					
D534,469 S *	1/2007	Murkett	D12/194				
7,165,796 B1	1/2007	Hung					
D540,231 S *	4/2007	Braun et al.	D12/194				
7,204,201 B2 *	4/2007	Leombruno	119/56.1				
D541,718 S	5/2007	Emler					
D543,666 S *	5/2007	Ross et al.	D30/133				
7,214,028 B2	5/2007	Boasso et al.					
D545,742 S *	7/2007	Kinoshita	D12/194				
D548,589 S *	8/2007	Blasko et al.	D9/428				
D548,890 S *	8/2007	Chen et al.	D27/135				
D549,313 S *	8/2007	Kelnhofer	D23/360				
D551,965 S *	10/2007	Blasko et al.	D9/428				
D558,111 S *	12/2007	Banks, III	D12/194				
7,302,912 B2 *	12/2007	Boyer	119/57.91				
7,311,223 B2	12/2007	Post					

## OTHER PUBLICATIONS

Advertisement (Mumme's Inc.) (1 page), The Journal of the Texas Trophy Hunters Association, Jan./Feb. 2005, on reverse side of p. 74.

Advertisement (Sweeney Automated Feeding Systems) (2 pages, front and back) (date referenced Jan. 1-Feb. 28, 2005).

Internet web site (Atascosa Wildlife Supply) (2 pages); <http://www.atascosawildlifesupply.com/feeders.html> (Mar. 8, 2005).

Advertisement (Atascosa Wildlife Supply) (2 pages.); The Journal of the Texas Trophy Hunters Association, May/Jun. 2005 (reverse sides of pp. 23 and 26).

Advertisement (Texas Wildlife Supply) (1 page), The Journal of the Texas Trophy Hunters Association, May/Jun. 2005 (reverse side of p. 174).

Internet web site (American Hunter Outdoor Products) (15 pages); <http://www.americanhunterfeeders.com> (Feb. 24, 2005).

Internet web site (Mumme's Inc.) (1 page); <http://www.mummesinc.com> (Feb. 24, 2005).

Internet web site (Boss Game Systems) (3 pages); <http://www.bossgamesystems.com> (Oct. 6, 2005).

Advertisement (American Hunter Outdoor Products) (1 page), The Journal of the Texas Trophy Hunters Association, May/Jun. 2005, on reverse side of p. 155.

"Introduction to Welding," Materials Engineering Group.; Copyright 1997 Materials Engineering (UK) Ltd.; <http://www.meg.co.uk/meg/app01.htm>.

"Welding," Microsoft Encarta Online Encyclopedia 2002; <http://encarta.msn.com> (1997-2002) Microsoft Corporation.

"Fair Special, 2000# Capacity Gravity Flow Protein Feeder," and Photo, Sycamore Springs Ranch, Approximately Oct. 2005.

Advertisement (Rick Meritt; Outback Wildlife Feeders); The Journal of the Texas Trophy Hunters, Sep./Oct. 2007, vol. 32, No. 5 (3pp).

Advertisement (Rick Meritt; Outback Wildlife Feeders); The Journal of the Texas Trophy Hunters, Jul./Aug. 2006, vol. 31, No. 4 (3pp).

Advertisement (Rick Meritt; Outback Wildlife Feeders); The Journal of the Texas Trophy Hunters, Sep./Oct. 2005, vol. 30, No. 5 (3pp).

Advertisement (Rick Meritt; Outback Wildlife Feeders); The Journal of the Texas Trophy Hunters, Sep./Oct. 2001, vol. 26, No. 5 (2pp).

Advertisement (Rick Meritt; Outback Wildlife Feeders); The Journal of the Texas Trophy Hunters, Sep./Oct. 2002, vol. 27, No. 5 (2pp).

Advertisement (Rick Meritt; Outback Wildlife Feeders); The Journal of the Texas Trophy Hunters, Sep./Oct. 2003, vol. 28, No. 5 (2pp).

Advertisement (Rick Meritt; Outback Wildlife Feeders); The Journal of the Texas Trophy Hunters, Sep./Oct. 2004, vol. 29, No. 5 (2pp).

\* cited by examiner

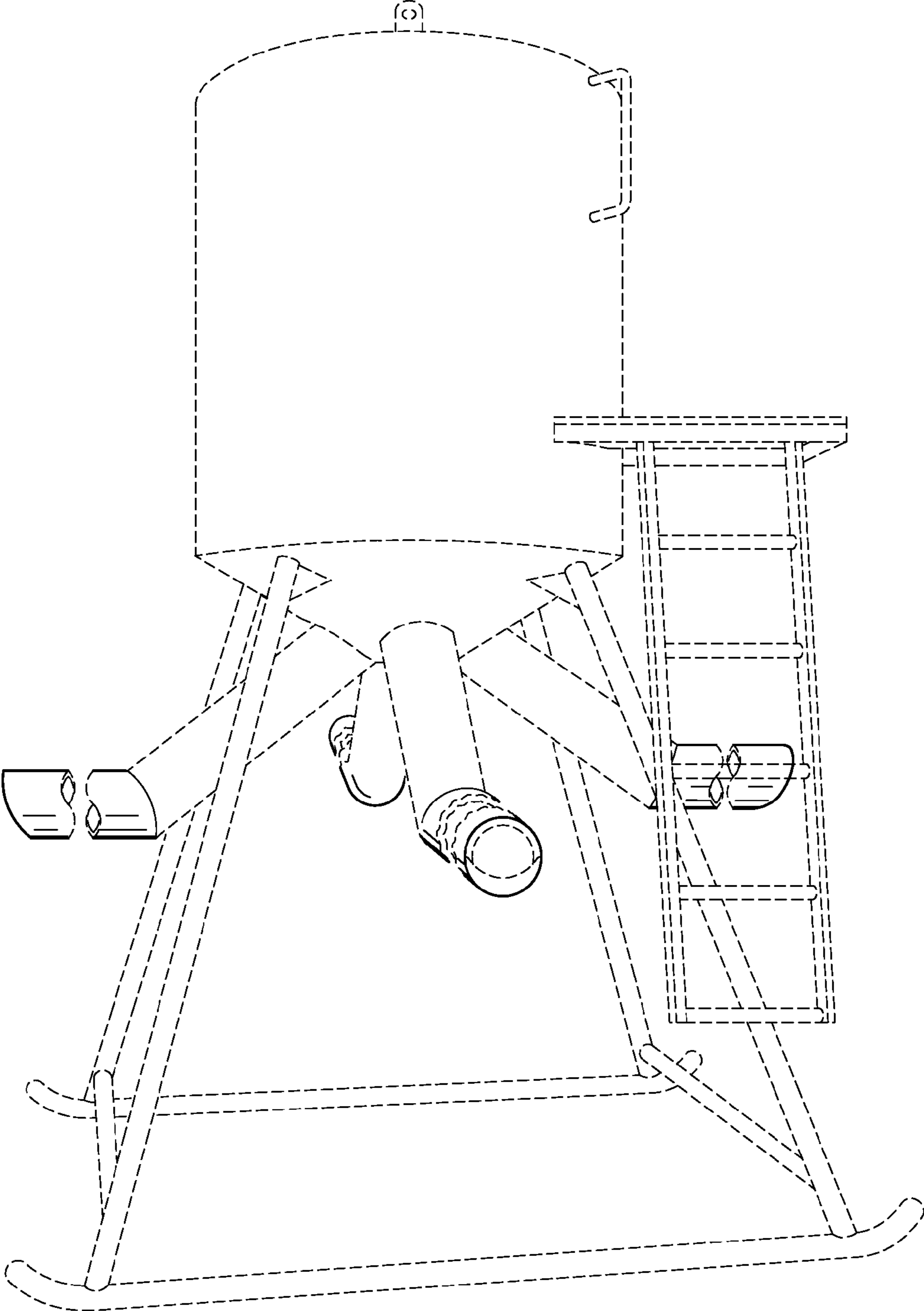


FIG. 1

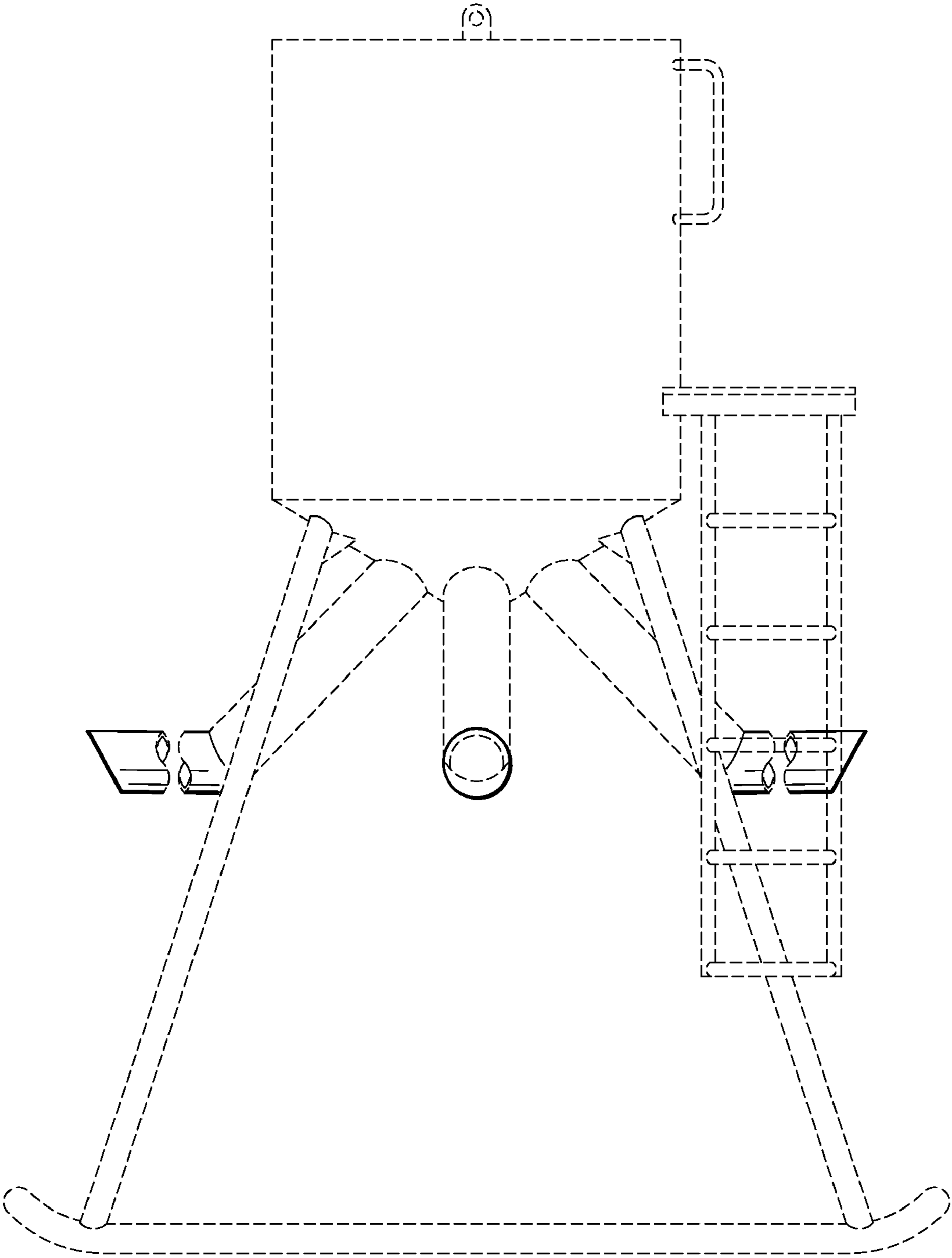


FIG. 2

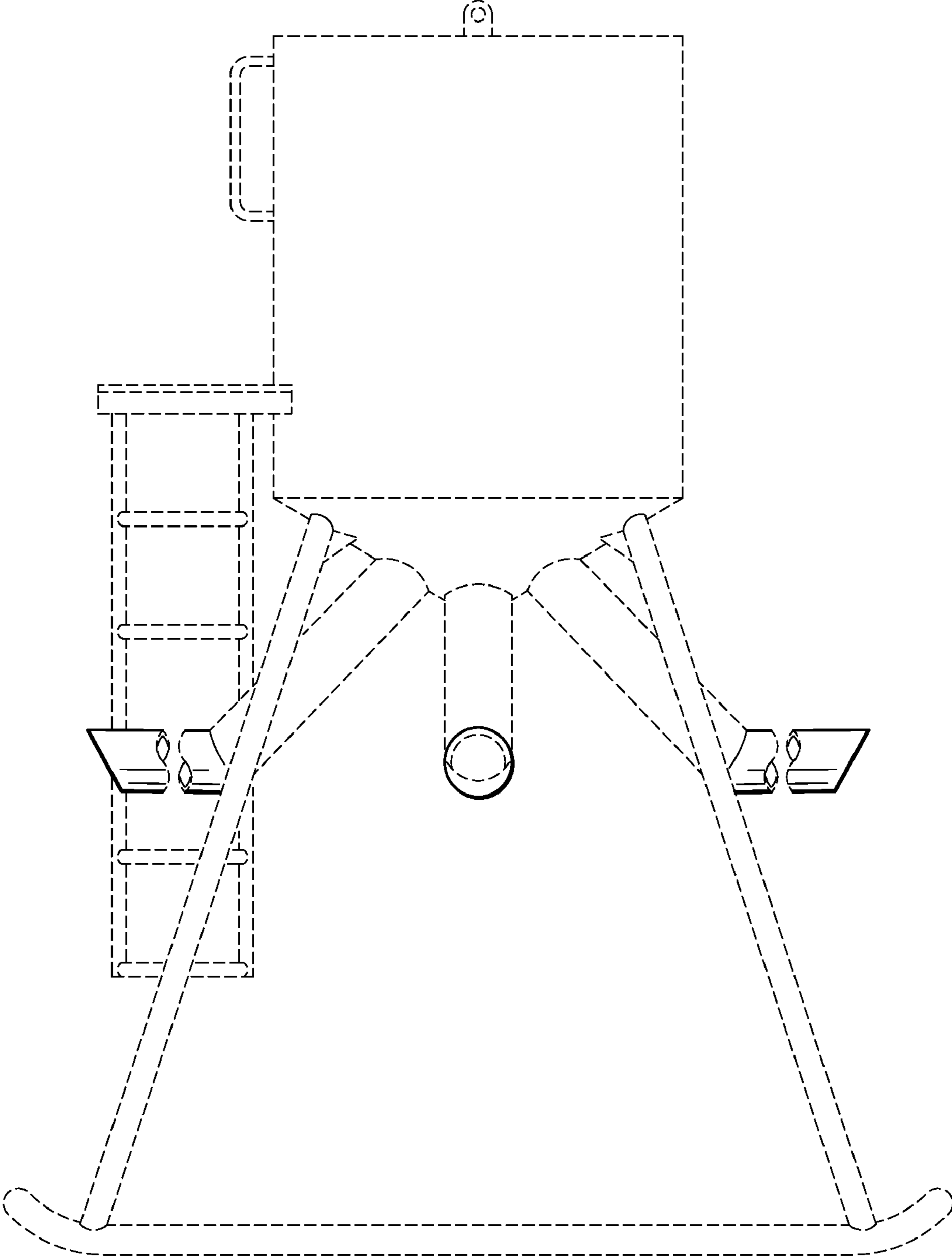


FIG. 3

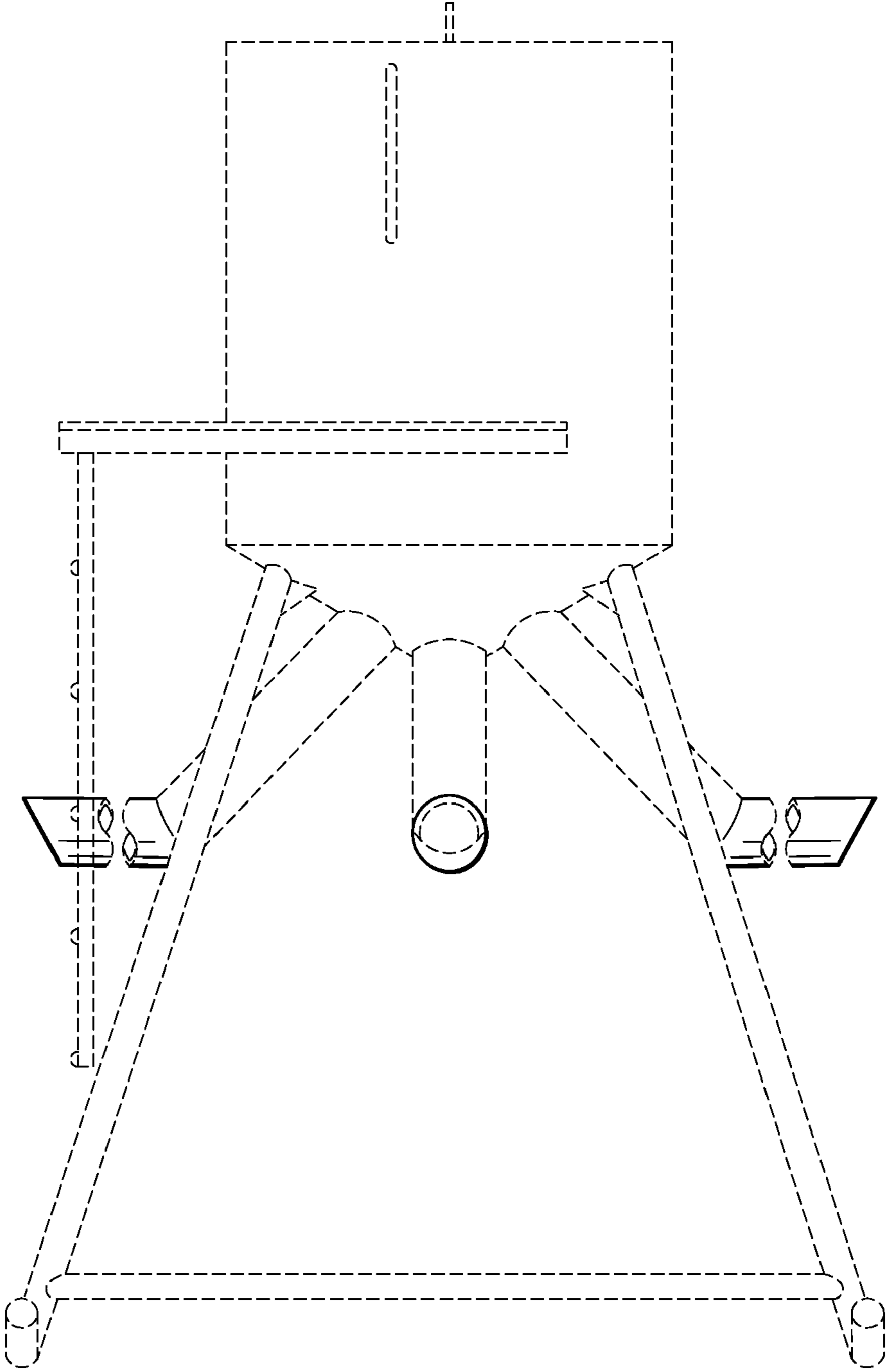


FIG. 4

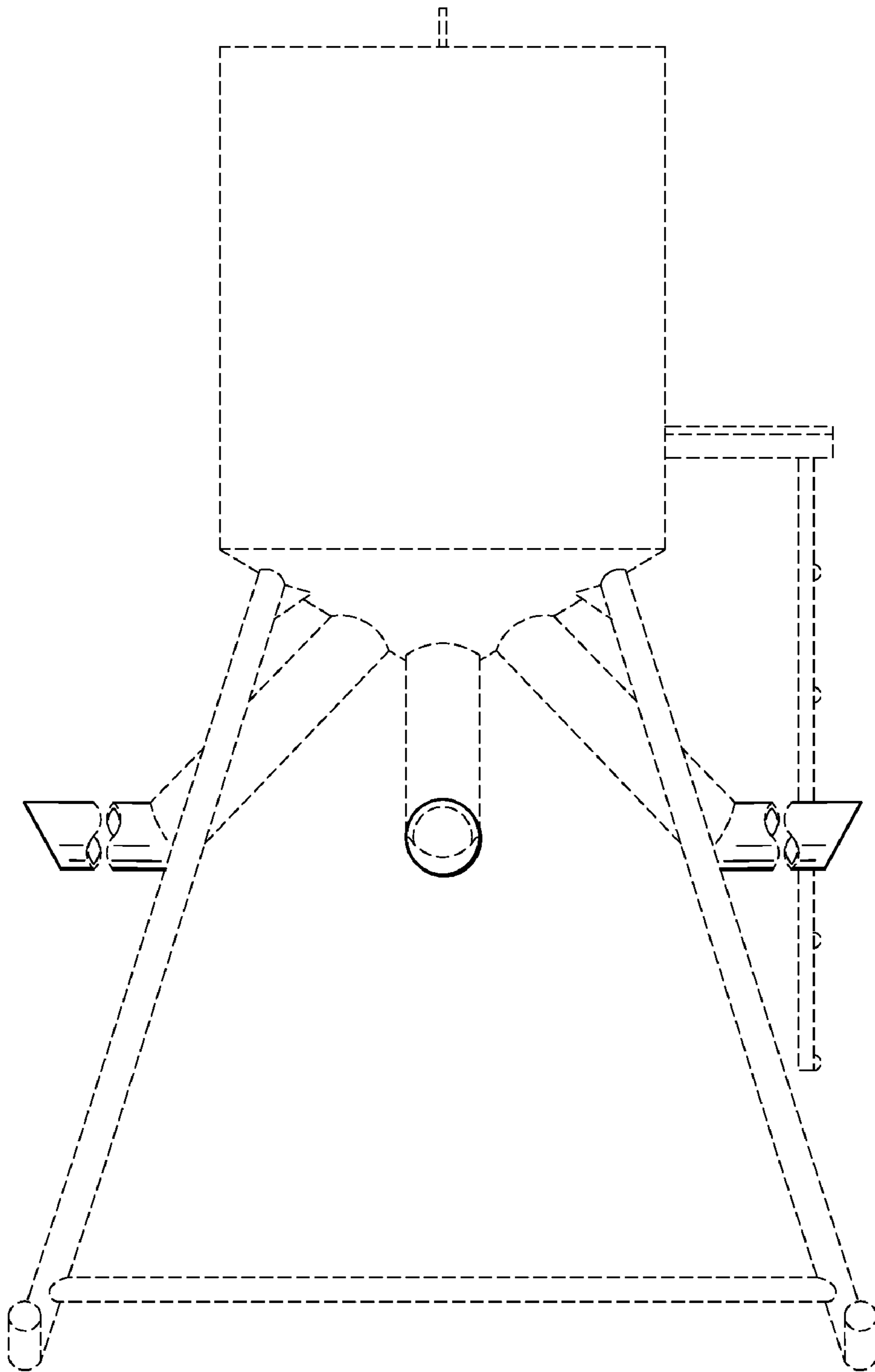


FIG. 5



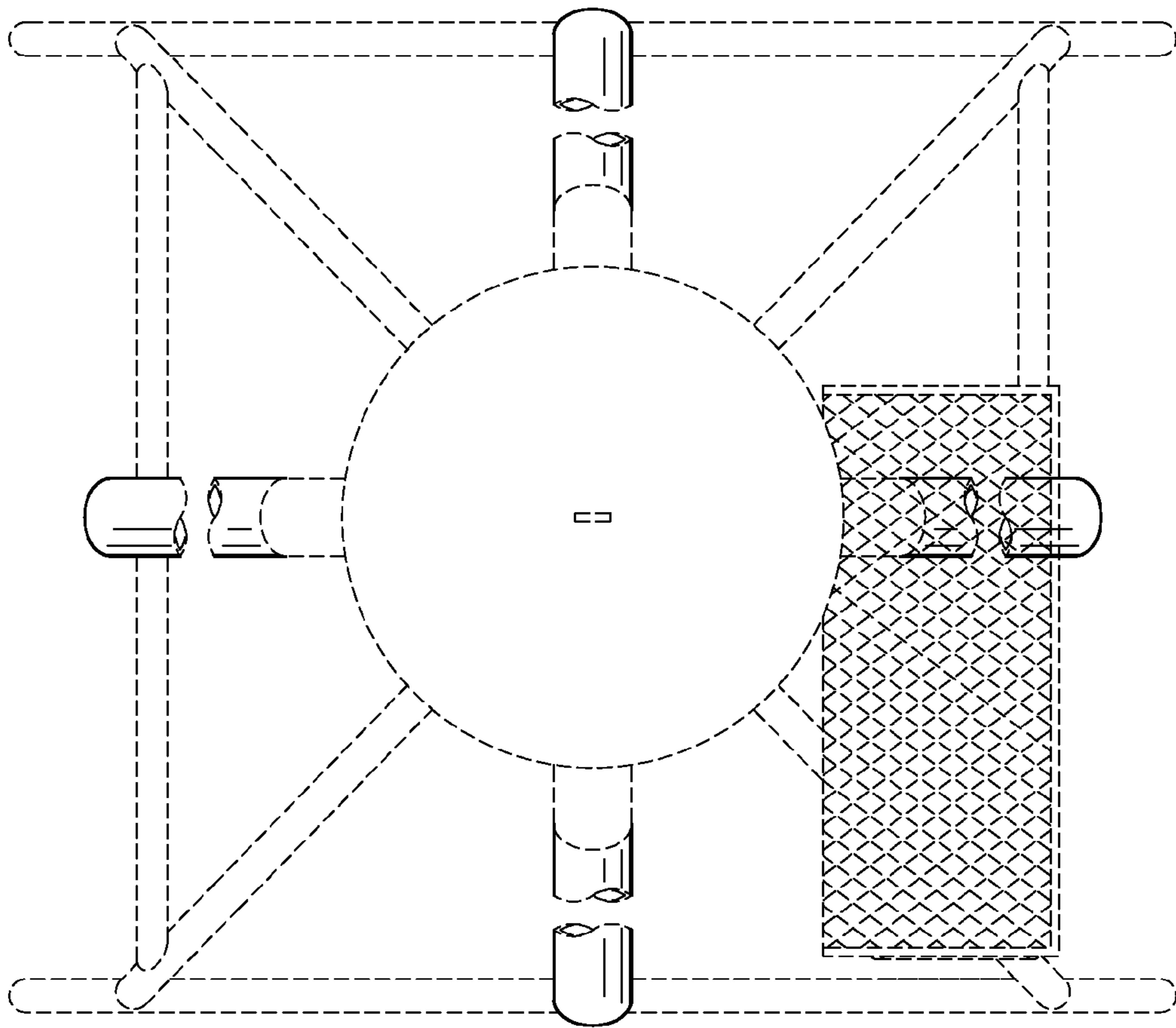


FIG. 6

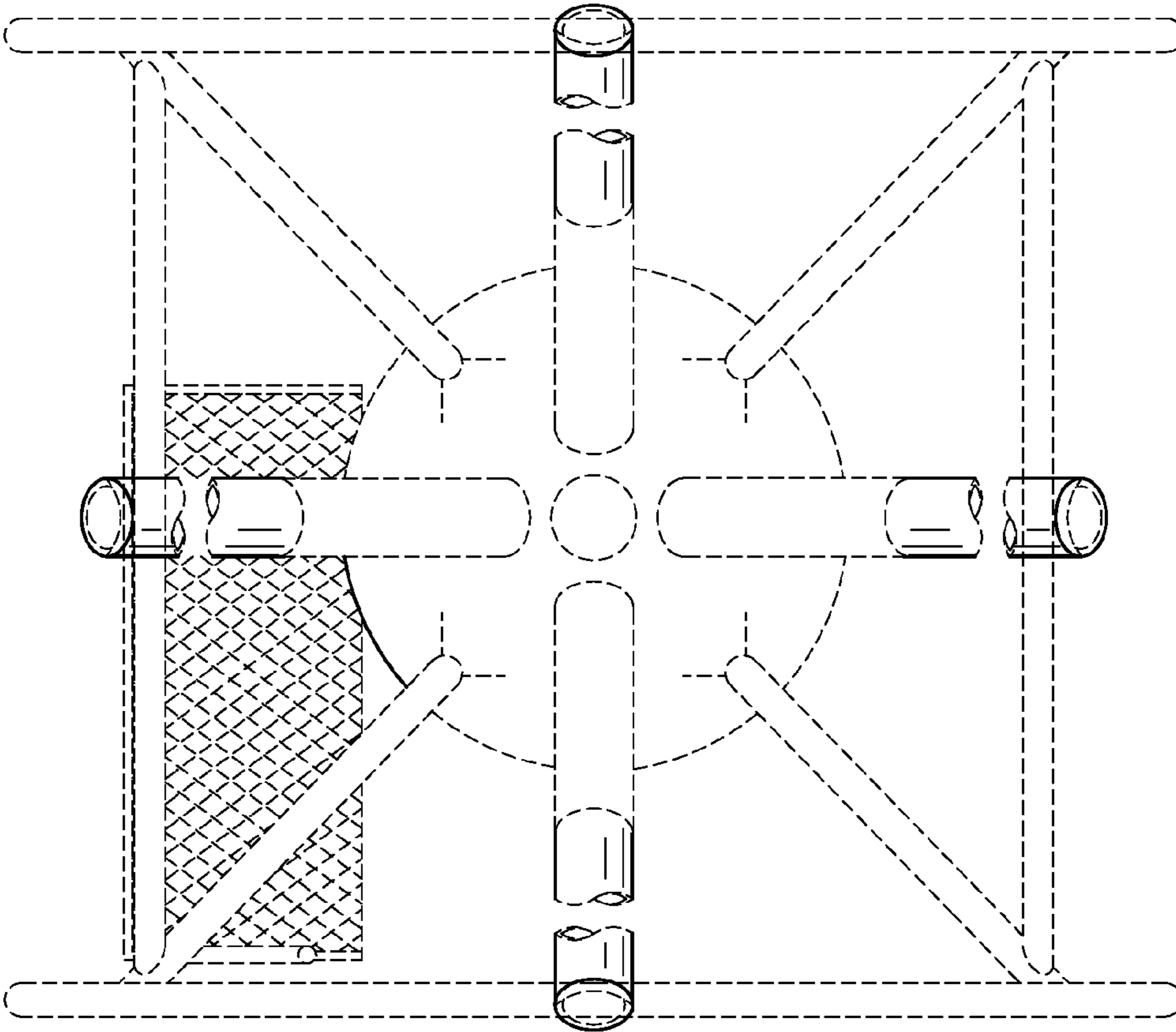


FIG. 7