



US00D629969S

(12) **United States Design Patent**
Wonderley

(10) **Patent No.:** **US D629,969 S**
(45) **Date of Patent:** **** Dec. 28, 2010**

(54) **RAZOR CARTRIDGE PROTECTOR**

(75) Inventor: **Jeffrey W. Wonderley**, Fort Defiance,
VA (US)

(73) Assignee: **American Safety Razor**, Verona, VA
(US)

(**) Term: **14 Years**

(21) Appl. No.: **29/361,438**

(22) Filed: **May 11, 2010**

(51) **LOC (9) Cl.** **28-03**

(52) **U.S. Cl.** **D28/47**

(58) **Field of Classification Search** 30/32,
30/34.05, 34.1-34.2, 41, 44-46, 47-51, 57-58,
30/77-84, 526-536, 537-539; D28/44-49
See application file for complete search history.

(56) **References Cited**

U.S. PATENT DOCUMENTS

- 1,992,565 A 2/1935 Biegmann
- 3,327,388 A 6/1967 Sooter
- 3,399,455 A 9/1968 Steere, Jr.
- 3,609,862 A 10/1971 Ernstberger
- D251,896 S 5/1979 Nissen
- 4,328,615 A 5/1982 Bowman et al.
- D271,531 S 11/1983 Byrne
- 4,443,938 A 4/1984 Bowman et al.
- D284,316 S 6/1986 Halm
- 4,709,476 A 12/1987 Shurtleff et al.
- D294,528 S 3/1988 Gray
- 4,777,722 A * 10/1988 Trotta 30/84
- D306,216 S 2/1990 Gray
- D308,427 S 6/1990 Gyllerstrom
- 4,985,995 A 1/1991 Coffin
- 4,996,772 A 3/1991 Iten
- 5,070,613 A 12/1991 Althaus et al.

- D343,254 S 1/1994 Miller et al.
- D343,255 S 1/1994 Miller et al.
- D345,233 S 3/1994 Gray
- 5,341,571 A 8/1994 Prochaska
- 5,416,973 A 5/1995 Brown et al.

(Continued)

FOREIGN PATENT DOCUMENTS

EP 0 878 275 A1 11/1998

OTHER PUBLICATIONS

Design Registration No. DM/053378, dated Jul. 27, 2000.

(Continued)

Primary Examiner—Jennifer Rivard

(74) *Attorney, Agent, or Firm*—McDermott Will & Emery
LLP

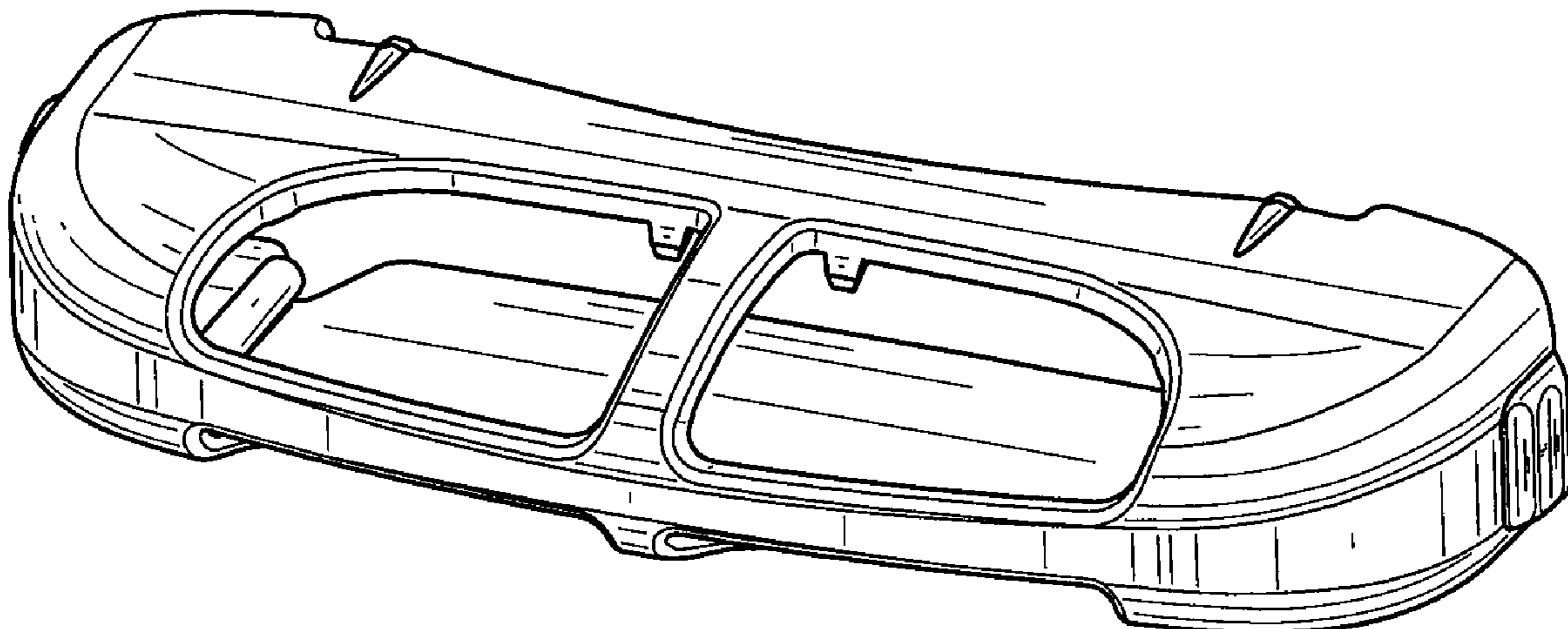
(57) **CLAIM**

The ornamental design for a razor cartridge protector, as shown and described.

DESCRIPTION

FIG. 1 is a front perspective view of the razor cartridge protector, showing the new design;
FIG. 2 is a front view of the razor cartridge protector;
FIG. 3 is a rear view of the razor cartridge protector;
FIG. 4 is a side view of the razor cartridge protector;
FIG. 5 is another side view of the razor cartridge protector;
FIG. 6 is a bottom view of the razor cartridge protector; and,
FIG. 7 is a top view of the razor cartridge protector.

1 Claim, 4 Drawing Sheets



US D629,969 S

Page 2

U.S. PATENT DOCUMENTS

5,522,137 A 6/1996 Andrews
D373,218 S 8/1996 Shurtleff et al.
5,575,068 A 11/1996 Pedersen
5,669,139 A 9/1997 Oldroyd et al.
5,865,189 A 2/1999 Andrews
D407,531 S * 3/1999 Lee D28/47
5,893,213 A * 4/1999 Motta 30/540
6,161,288 A 12/2000 Andrews
D437,087 S 1/2001 Yamagishi
6,185,827 B1 2/2001 Polites
D440,012 S 4/2001 Lee

D443,111 S * 5/2001 Nakasuka D28/47
6,539,633 B1 4/2003 Rebaudieres
D487,822 S * 3/2004 Lee D28/47
D490,569 S 5/2004 Prochaska
D509,321 S 9/2005 Gray
7,461,458 B2 12/2008 Peyser et al.
D612,992 S 3/2010 Sennett et al.
D619,300 S * 7/2010 Wonderley D28/47

OTHER PUBLICATIONS

Design Registration No. DM/047940, dated May 25, 1999.

* cited by examiner

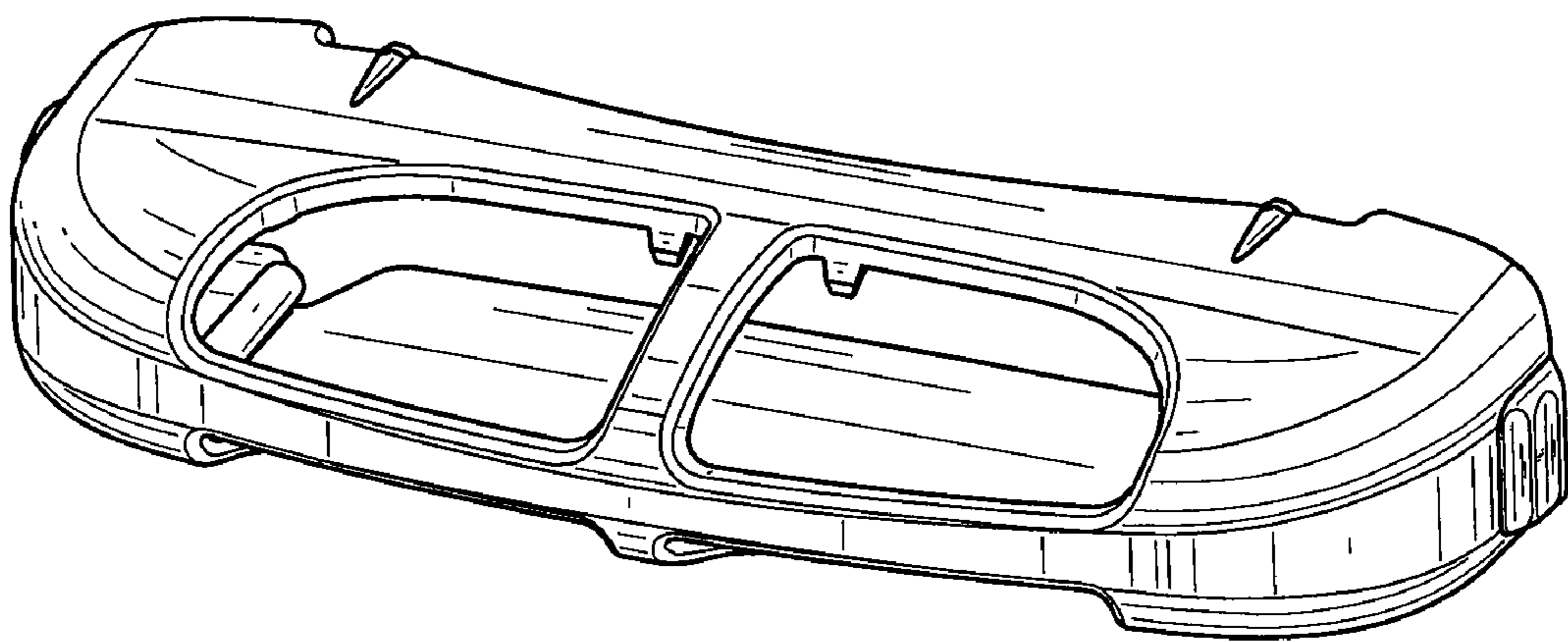


FIG. 1

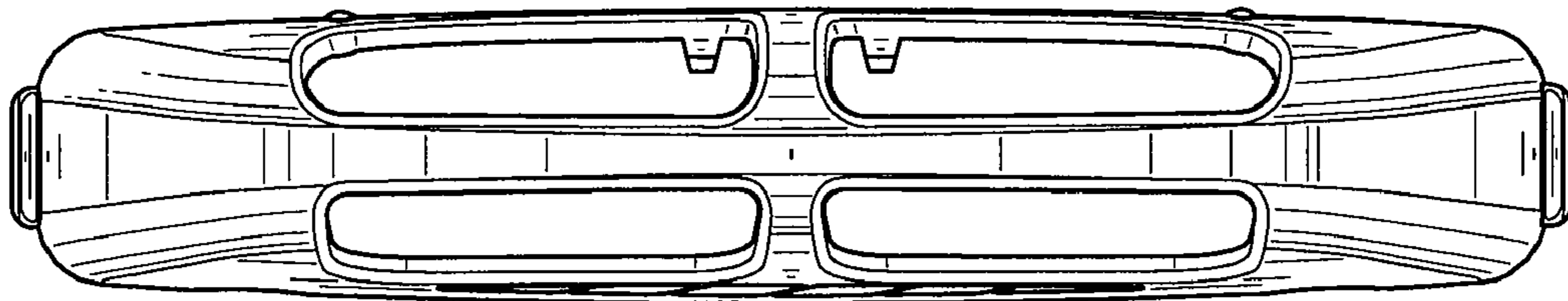


FIG. 2

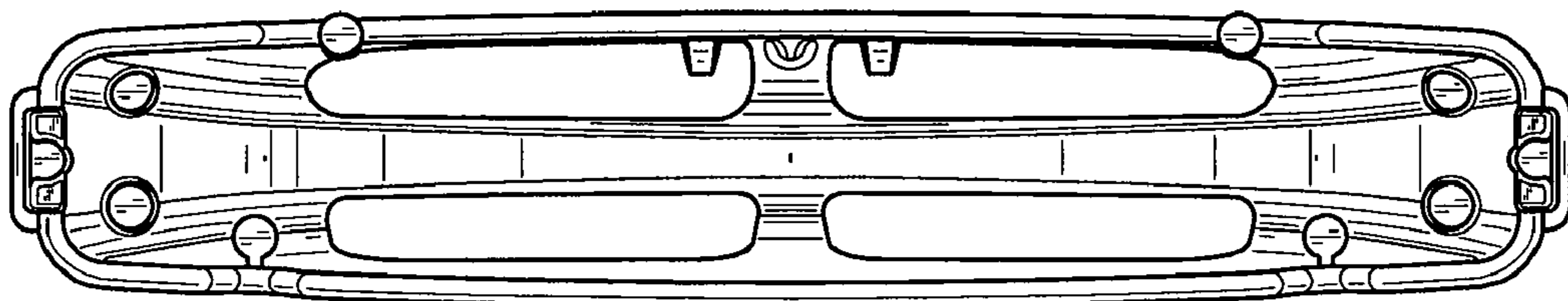


FIG. 3

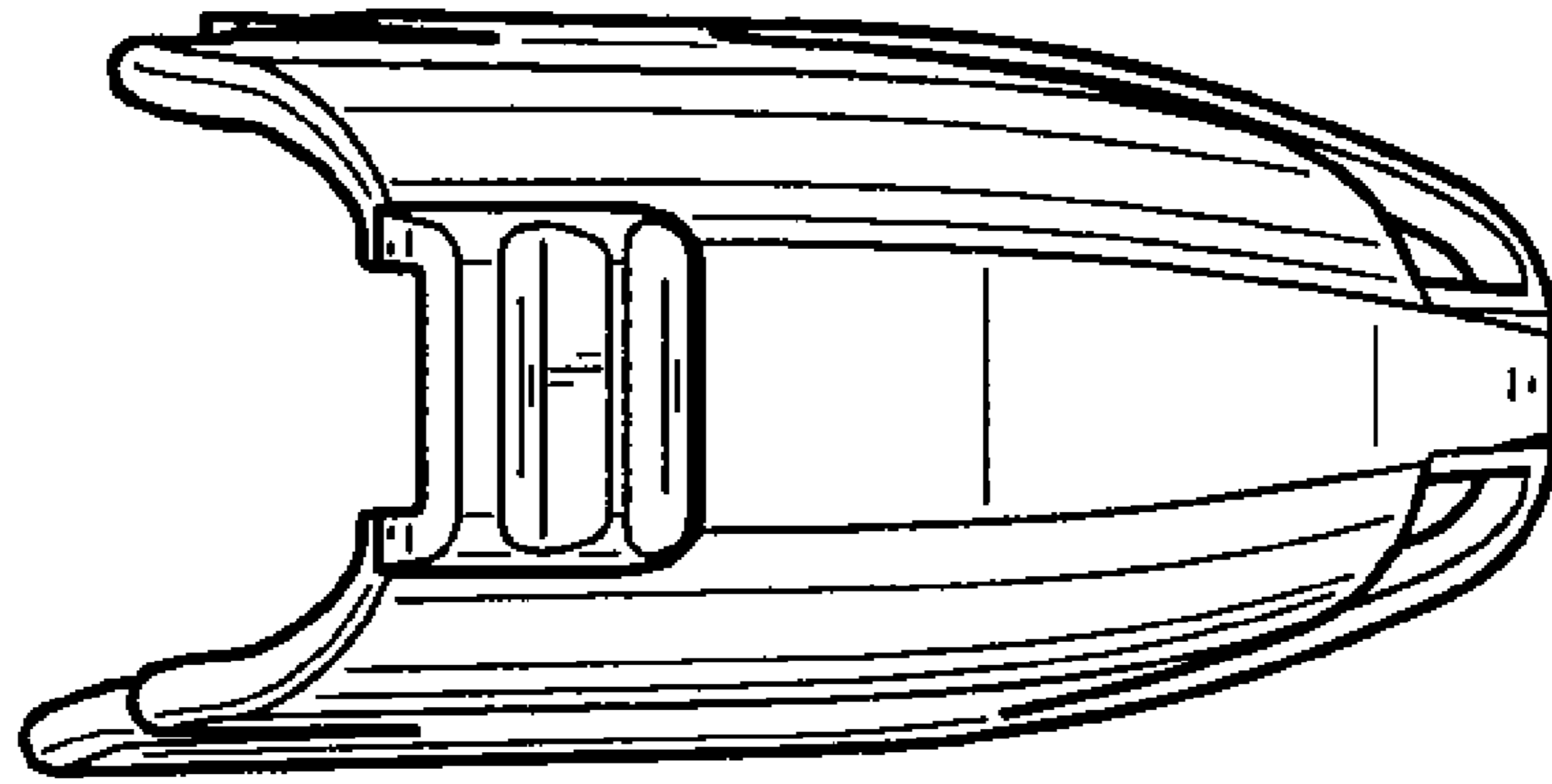


FIG. 4

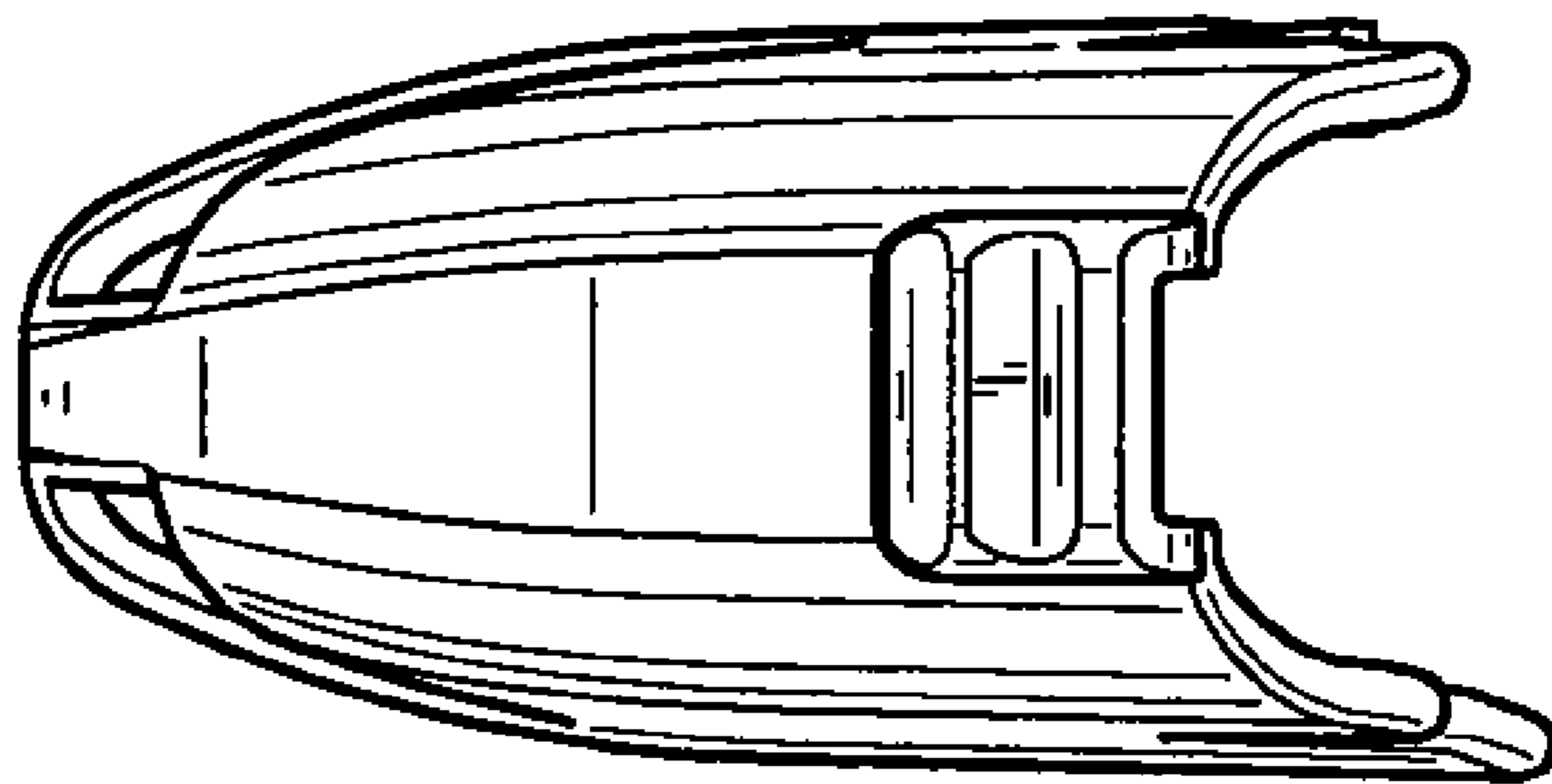


FIG. 5

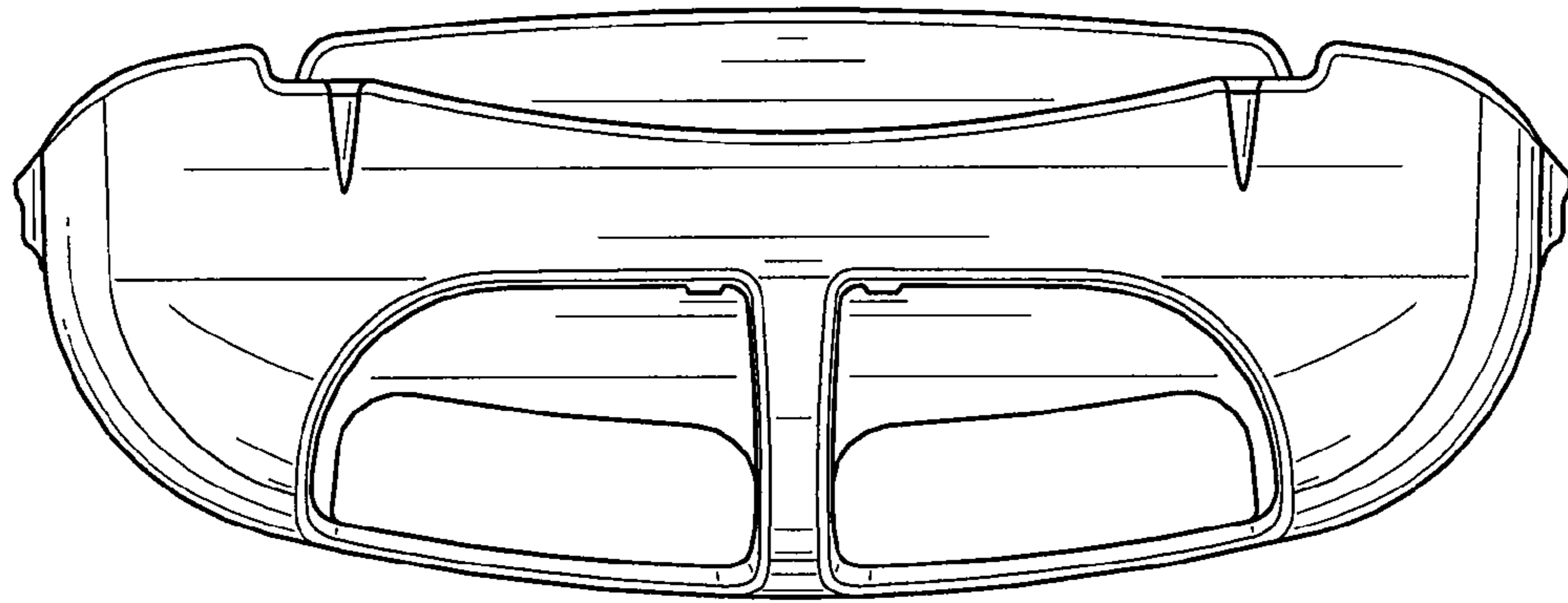


FIG. 6

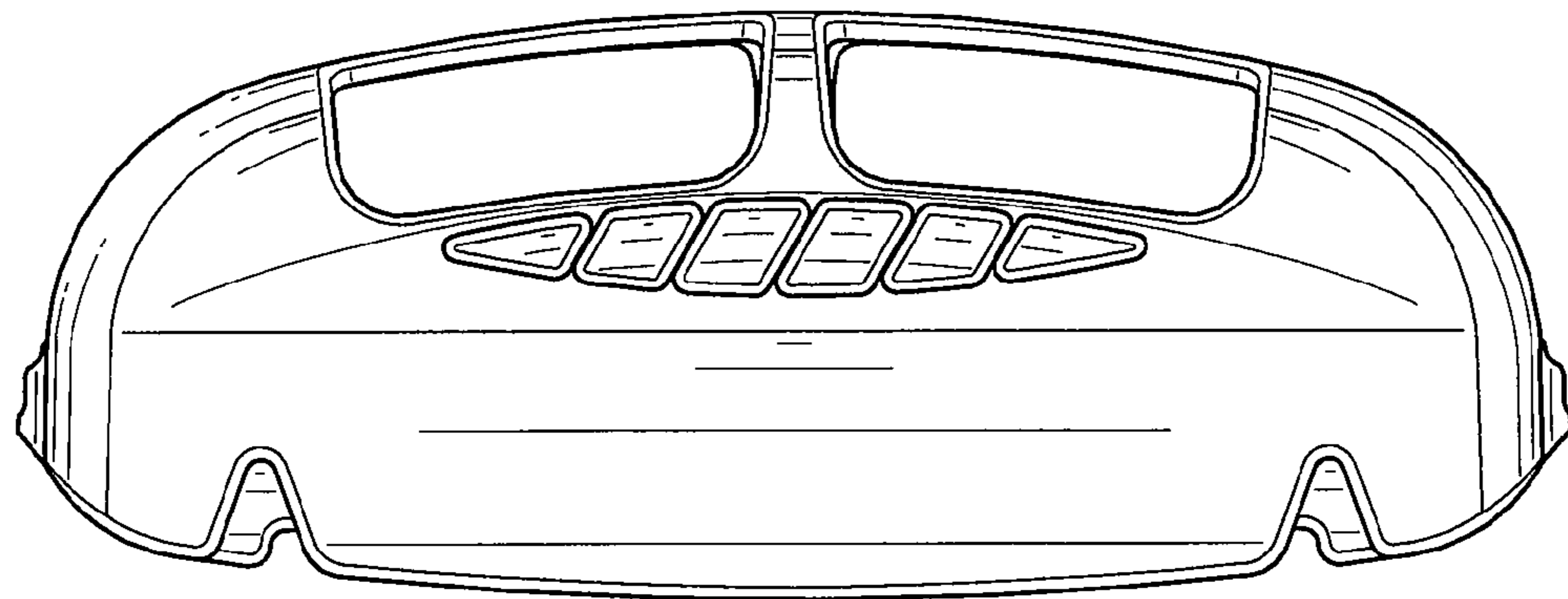


FIG. 7