



US00D629967S

(12) **United States Design Patent**  
**Mayo et al.**

(10) **Patent No.:** **US D629,967 S**

(45) **Date of Patent:** **\*\* Dec. 28, 2010**

(54) **HAIR DRYER**

D544,147 S \* 6/2007 Baudouin ..... D28/13  
D604,898 S \* 11/2009 Parodi ..... D28/13

(75) Inventors: **Zak Denver Haydn Mayo**, Cary, NC  
(US); **Adrian Bradlaw**,  
Shoreham-By-Sea (GB)

\* cited by examiner

*Primary Examiner*—Janice E Seeger

*Assistant Examiner*—Zenia I Bennett

(73) Assignee: **Kapow Beauty, LLC**, Cary, NC (US)

(74) *Attorney, Agent, or Firm*—William C. Schrot; Edell,  
Shapiro, Finnan, LLC

(\*\*) Term: **14 Years**

(21) Appl. No.: **29/346,921**

(57) **CLAIM**

(22) Filed: **Nov. 9, 2009**

The ornamental design for a hair dryer, as shown and  
described.

(51) **LOC (9) Cl.** ..... **28-03**

(52) **U.S. Cl.** ..... **D28/13**

(58) **Field of Classification Search** ..... D28/12-19;  
392/380-385; 219/222

See application file for complete search history.

**DESCRIPTION**

FIG. 1 is a front perspective view of a hair dryer according to  
the invention;

FIG. 2 is a rear perspective view of the hair dryer of FIG. 1;

FIG. 3 is a front view of the hair dryer of FIG. 1;

FIG. 4 is a rear view of the hair dryer of FIG. 1;

FIG. 5 is a top view of the hair dryer of FIG. 1;

FIG. 6 is a bottom view of the hair dryer of FIG. 1;

FIG. 7 is a right side view of the hair dryer of FIG. 1; and,

FIG. 8 is a left side view of the hair dryer of FIG. 1.

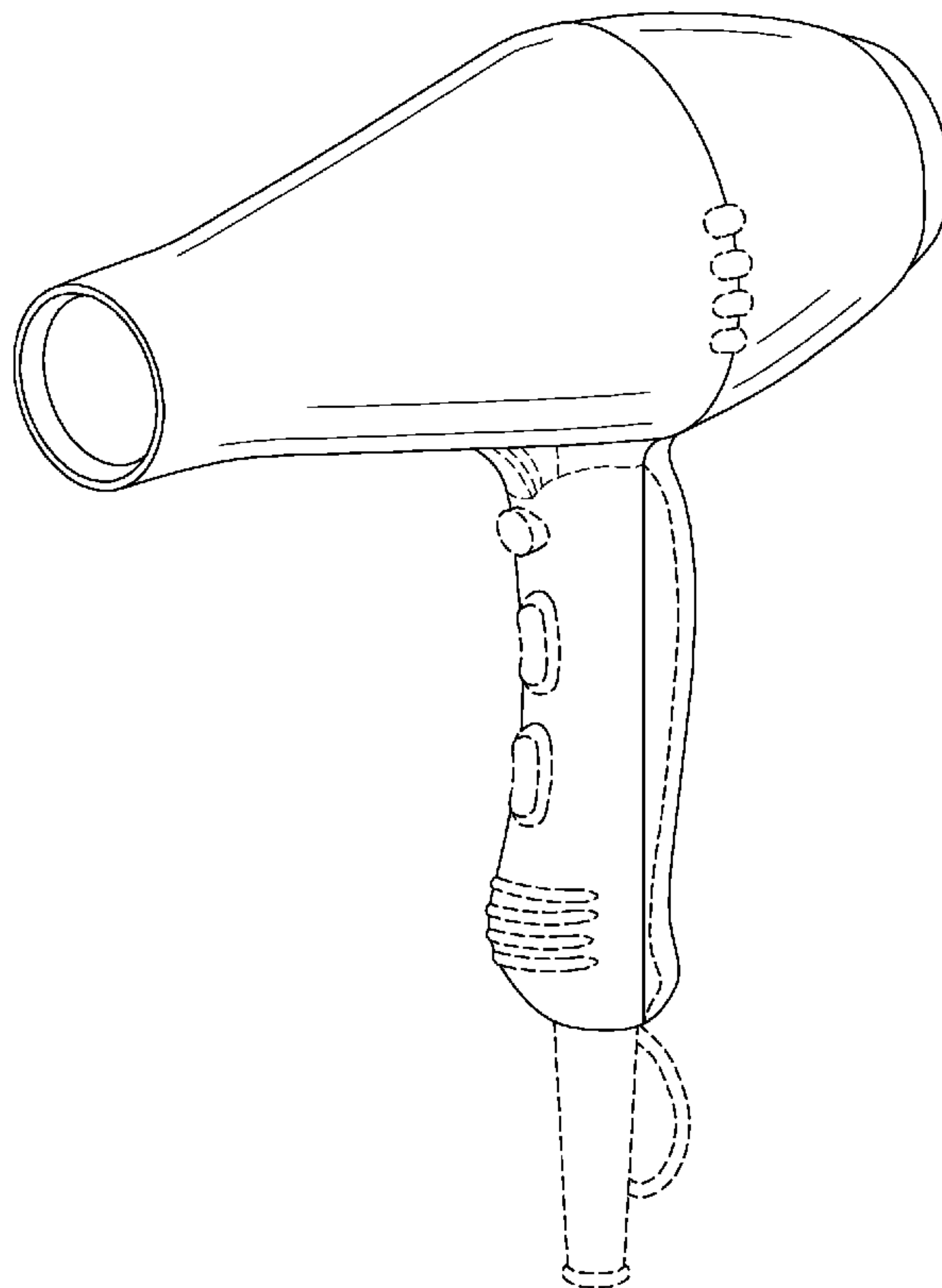
The portions shown in phantom are for illustrative purposes  
only and form no part of the claimed design.

(56) **References Cited**

U.S. PATENT DOCUMENTS

D460,214 S *	7/2002	Parodi	.....	D28/13
D470,975 S *	2/2003	Rizzuto, Jr.	.....	D28/13
D470,976 S *	2/2003	Rizzuto, Jr.	.....	D28/13
D494,710 S *	8/2004	Parodi	.....	D28/13
D496,754 S *	9/2004	Parodi	.....	D28/13
D499,209 S *	11/2004	Ikesaki	.....	D28/13
D518,919 S *	4/2006	Parodi	.....	D28/13
D528,698 S *	9/2006	Rizzuto, Jr.	.....	D28/13
D543,313 S *	5/2007	Petruccioli, Jr.	.....	D28/13

**1 Claim, 7 Drawing Sheets**



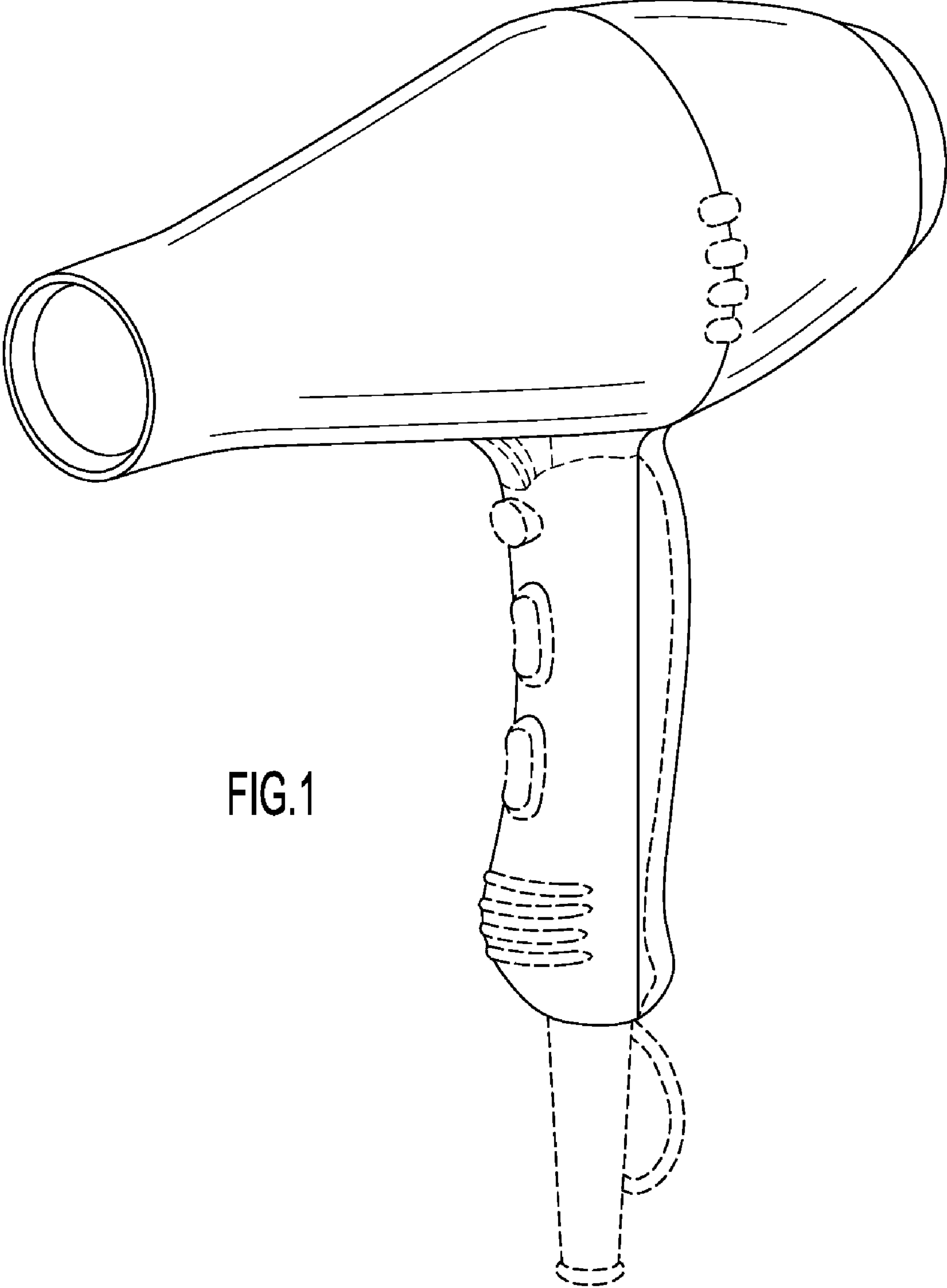


FIG. 1

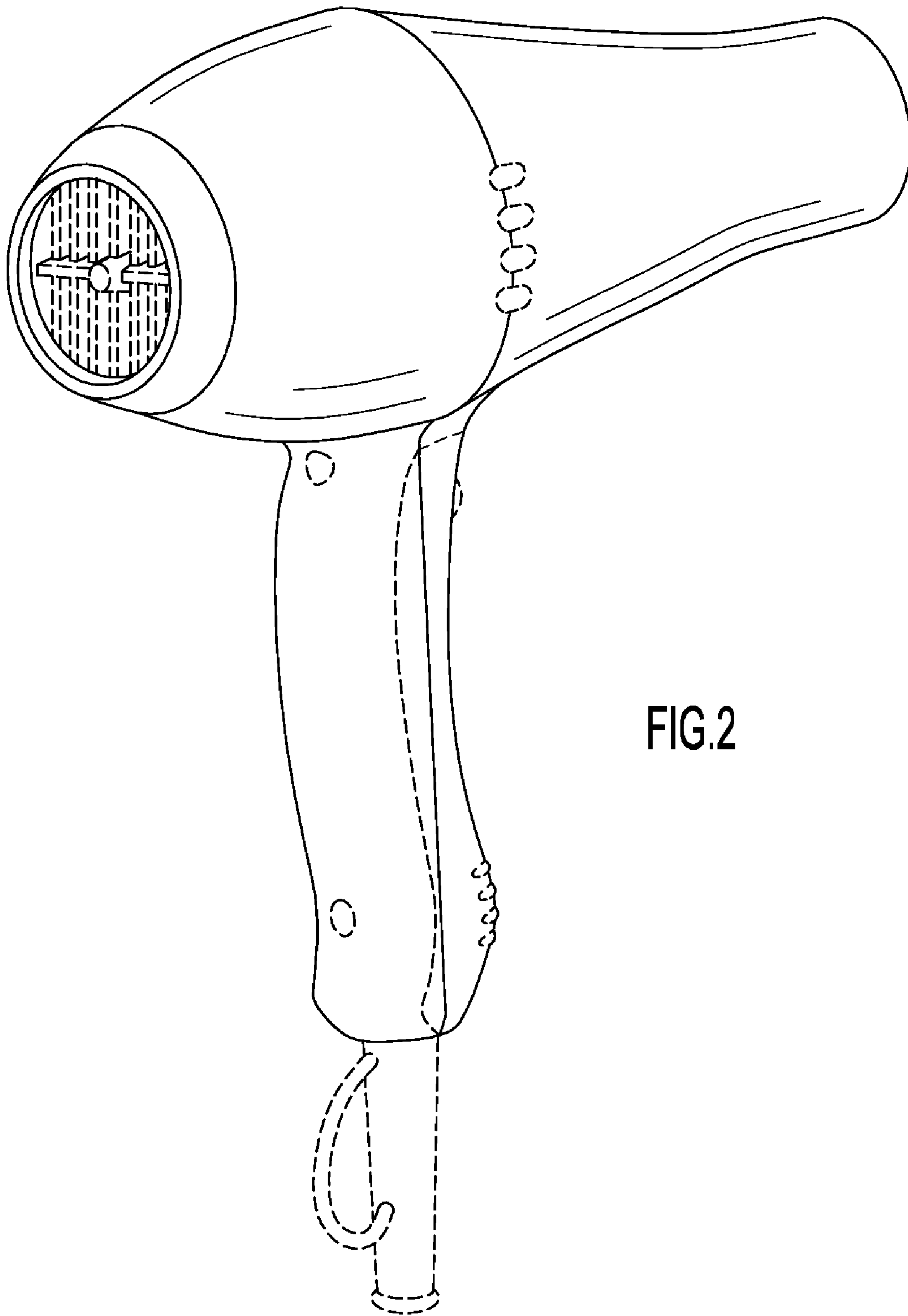


FIG.2

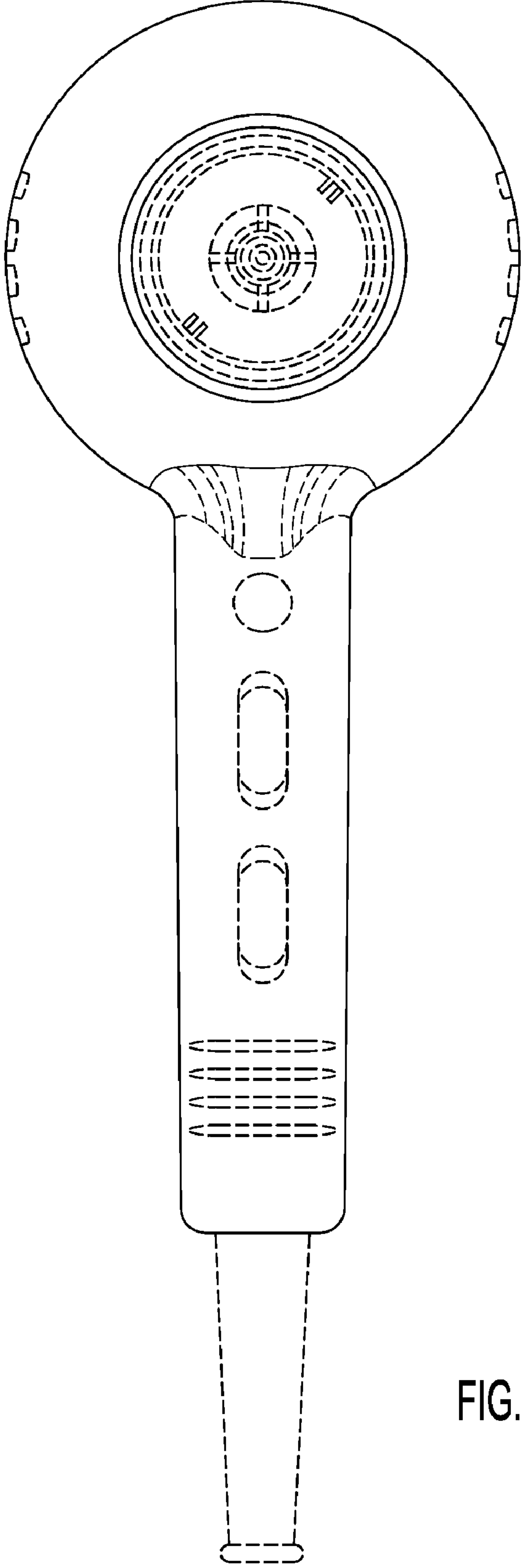


FIG.3

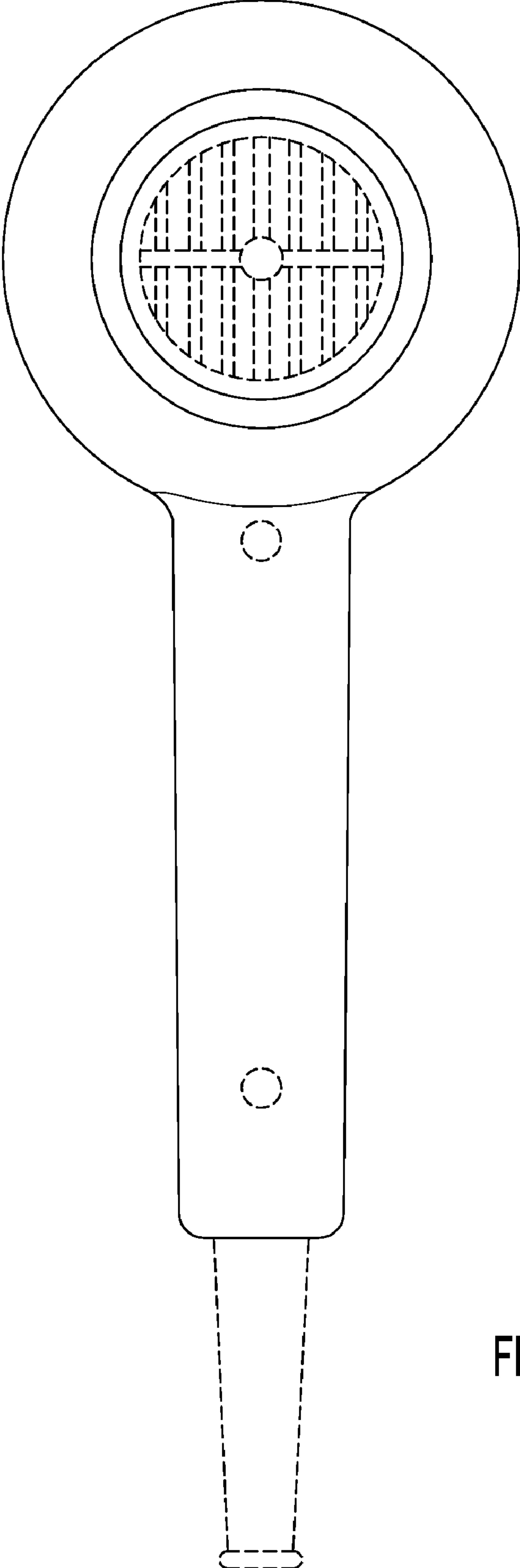


FIG.4

FIG.5

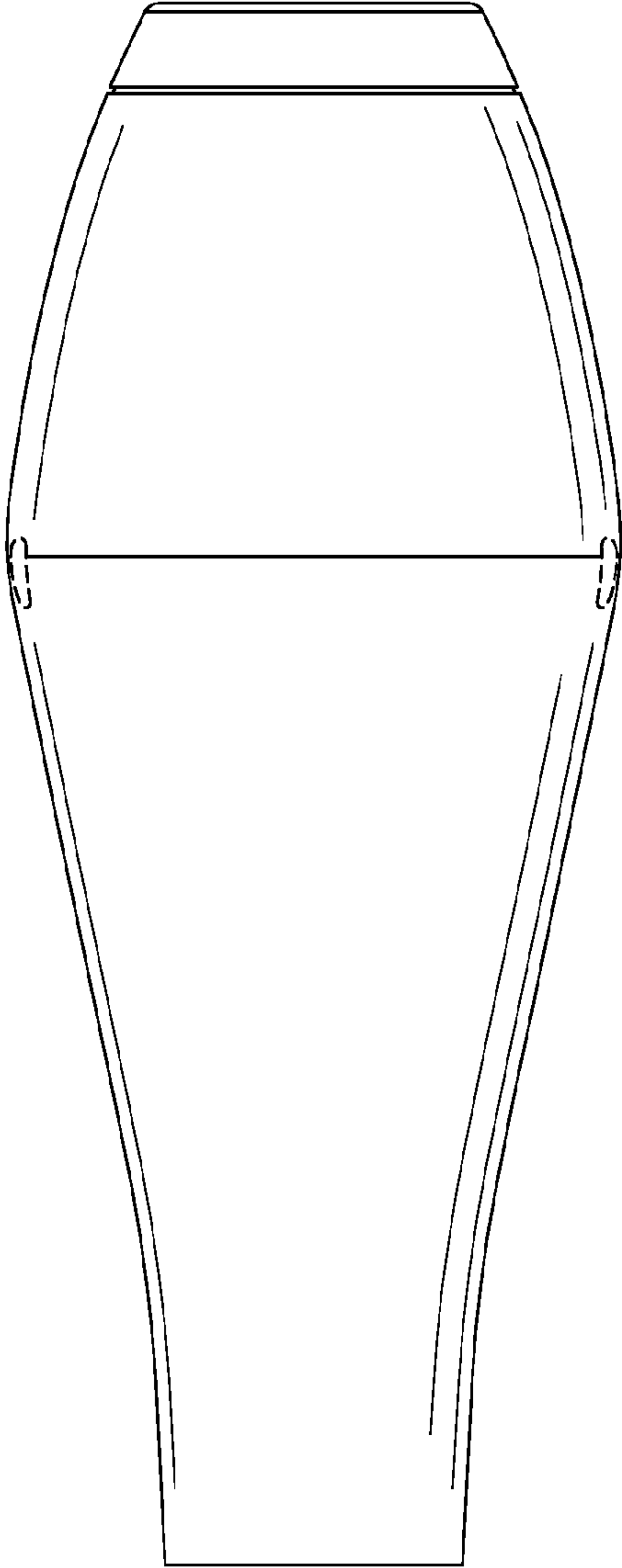
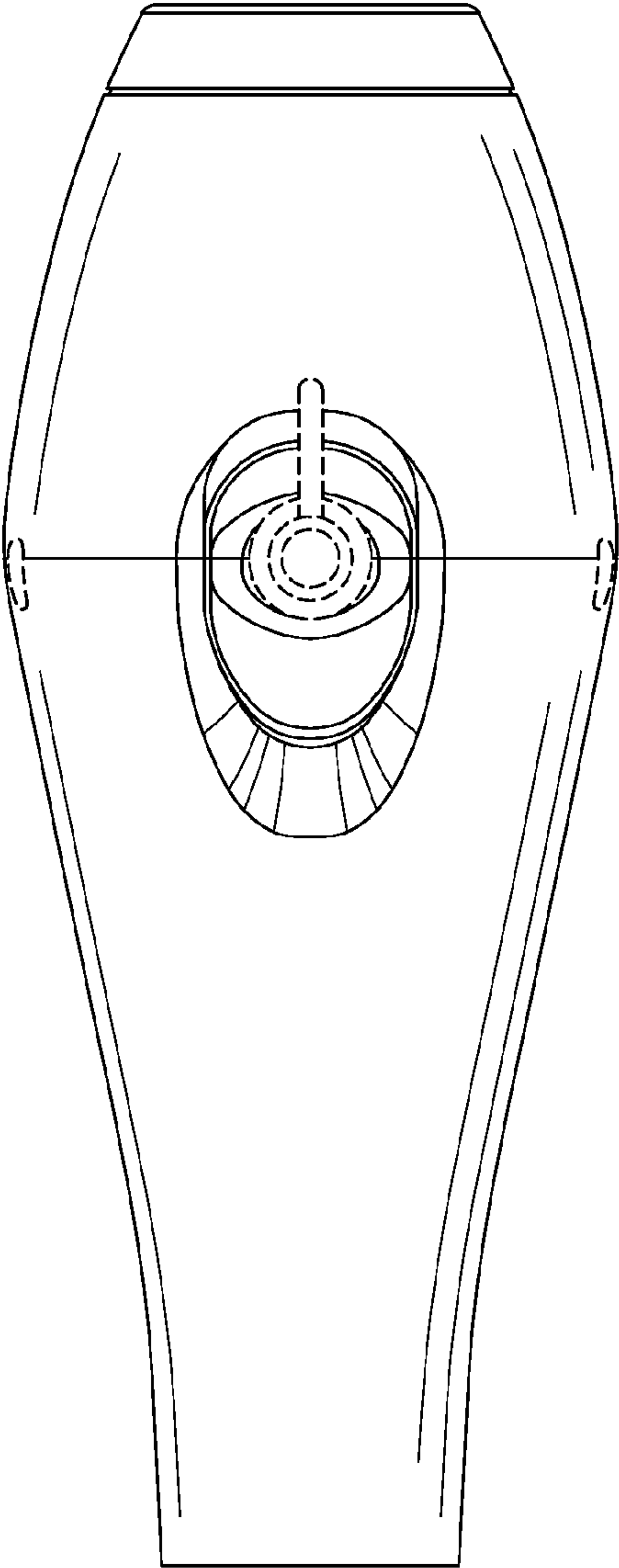


FIG.6



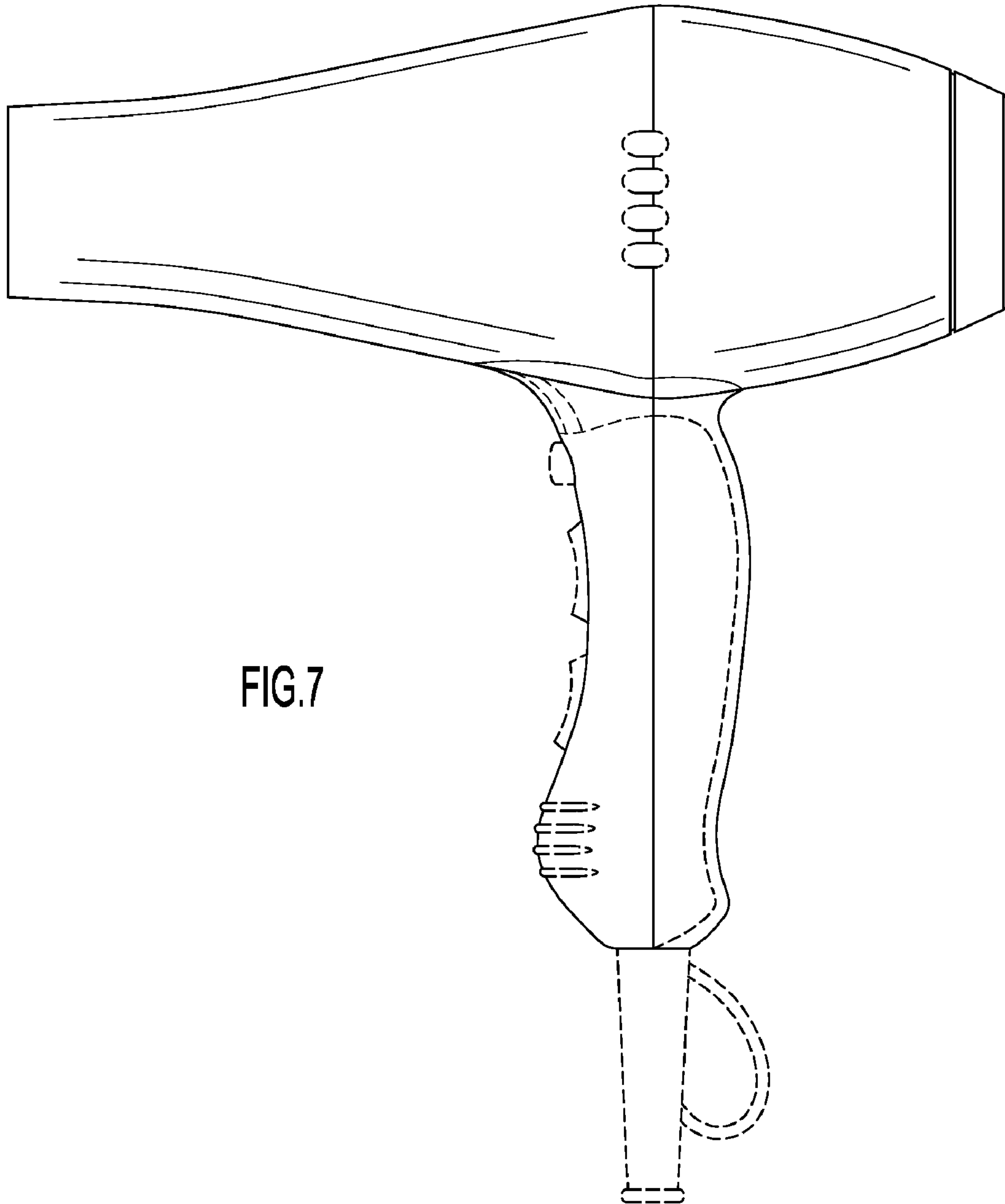


FIG.7

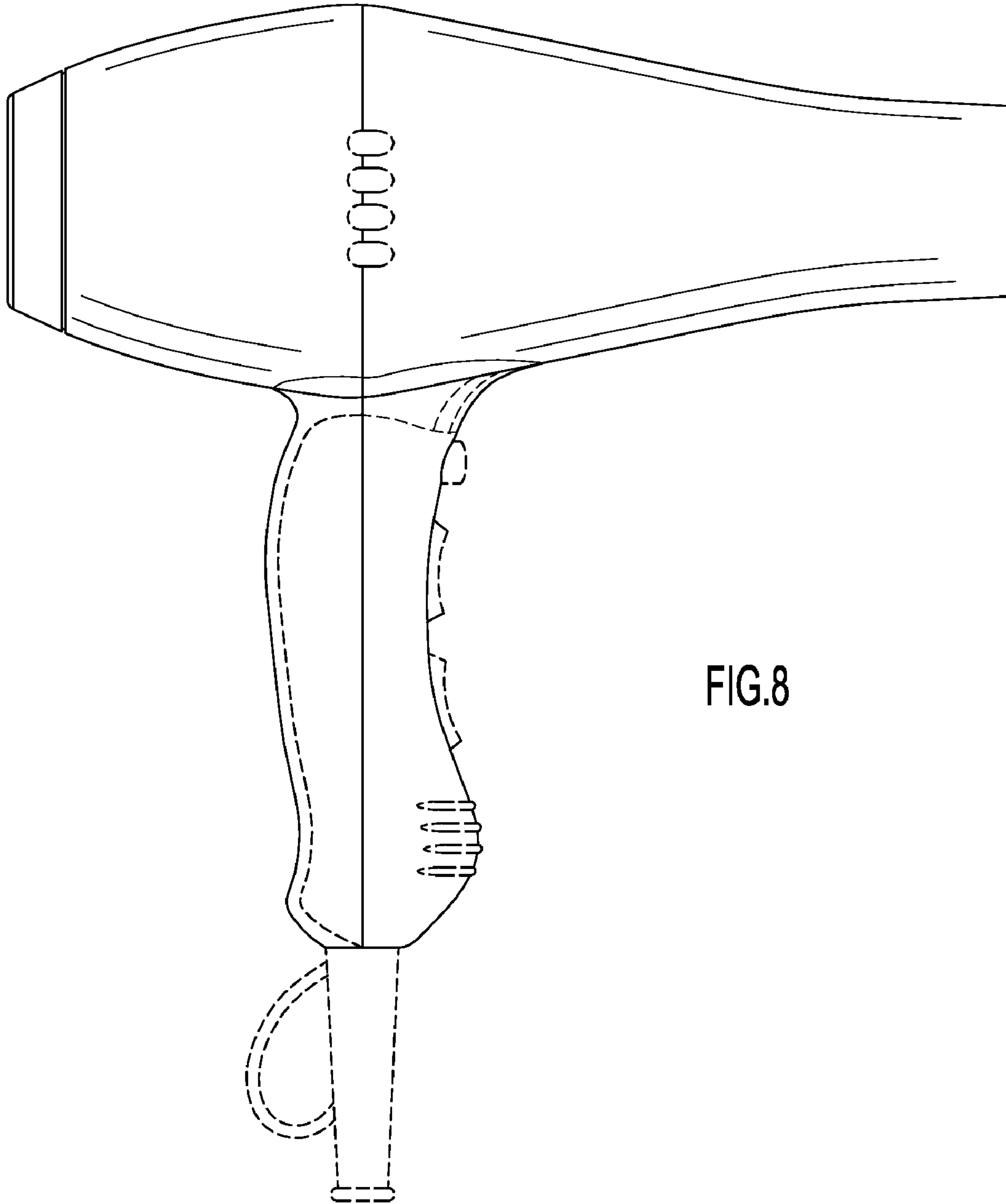


FIG. 8