



US00D629962S

(12) **United States Design Patent**
Choi et al.

(10) **Patent No.:** **US D629,962 S**
(45) **Date of Patent:** **** Dec. 28, 2010**

(54) **LED LAMP**

(75) Inventors: **Tae Young Choi**, Seoul (KR); **Kyung Il Kong**, Seoul (KR); **Han Gyoul Kim**, Seoul (KR); **Hwa Young Kim**, Seoul (KR); **Seok Jin Kang**, Seoul (KR)

(73) Assignee: **LG Innotek Co., Ltd.**, Seoul (KR)

(**) Term: **14 Years**

(21) Appl. No.: **29/360,116**

(22) Filed: **Apr. 20, 2010**

(30) **Foreign Application Priority Data**

Oct. 20, 2009 (KR) 30-2009-0046256
Apr. 7, 2010 (KR) 30-2010-0015158

(51) **LOC (9) Cl.** **26-99**

(52) **U.S. Cl.** **D26/128**

(58) **Field of Classification Search** D26/2,
D26/118, 120, 129, 138, 63, 65, 128, 154,
D26/119, 28, 155, 142, 121, 122, 152, 123,
D26/124, 153, 130, 141, 92, 87, 93, 85, 145;
D11/89, 90, 91, 92; 273/153 S, 160; 362/223,
362/544, 240, 545; D9/529; D21/478, 479;
D34/1; D7/509, 586; D13/134, 179, 180
See application file for complete search history.

(56) **References Cited**

U.S. PATENT DOCUMENTS

D70,159 S * 5/1926 Crumley D26/144
D92,831 S * 7/1934 Tyler D26/26
D175,658 S * 9/1955 Van Koert D26/20
3,538,321 A * 11/1970 Joseph et al. 362/289
4,503,360 A * 3/1985 Bedel 315/112
D323,565 S * 1/1992 Woodgate D26/63
D329,101 S * 9/1992 Landefeld D26/68
D346,239 S * 4/1994 Vamberszky et al. D26/118
5,351,174 A * 9/1994 Ewing 362/655
D386,805 S * 11/1997 Bonnette et al. D26/74
D414,587 S * 9/1999 Douglas D34/1
D423,707 S * 4/2000 Hammond D26/67

D434,943 S * 12/2000 Price D7/509
D445,947 S * 7/2001 Johnson D26/142
6,322,234 B1 * 11/2001 Drake et al. 362/276
D455,486 S * 4/2002 Makino D23/366
D469,209 S * 1/2003 Homann D26/118
D476,728 S * 7/2003 Gajewski D23/377
D483,903 S * 12/2003 Skradski et al. D26/118
D483,904 S * 12/2003 Skradski et al. D26/118
D508,236 S * 8/2005 Duke et al. D13/184

(Continued)

Primary Examiner—Cathron C Brooks
Assistant Examiner—Kevin K Rudzinski

(74) *Attorney, Agent, or Firm*—McKenna Long & Aldridge LLP

(57) **CLAIM**

The ornamental design for an LED lamp, as shown and described.

DESCRIPTION

This application is related to U.S. application Ser. No. 29/360, 115, filed Apr. 20, 2010, the entire contents of which is incorporated by reference herein.

FIG. 1 is a top front perspective view of an LED lamp showing my new design;

FIG. 2 is a front elevational view thereof;

FIG. 3 is a rear elevational view thereof;

FIG. 4 is a left side elevational view thereof;

FIG. 5 is a right side elevational view thereof;

FIG. 6 is a top plan view thereof;

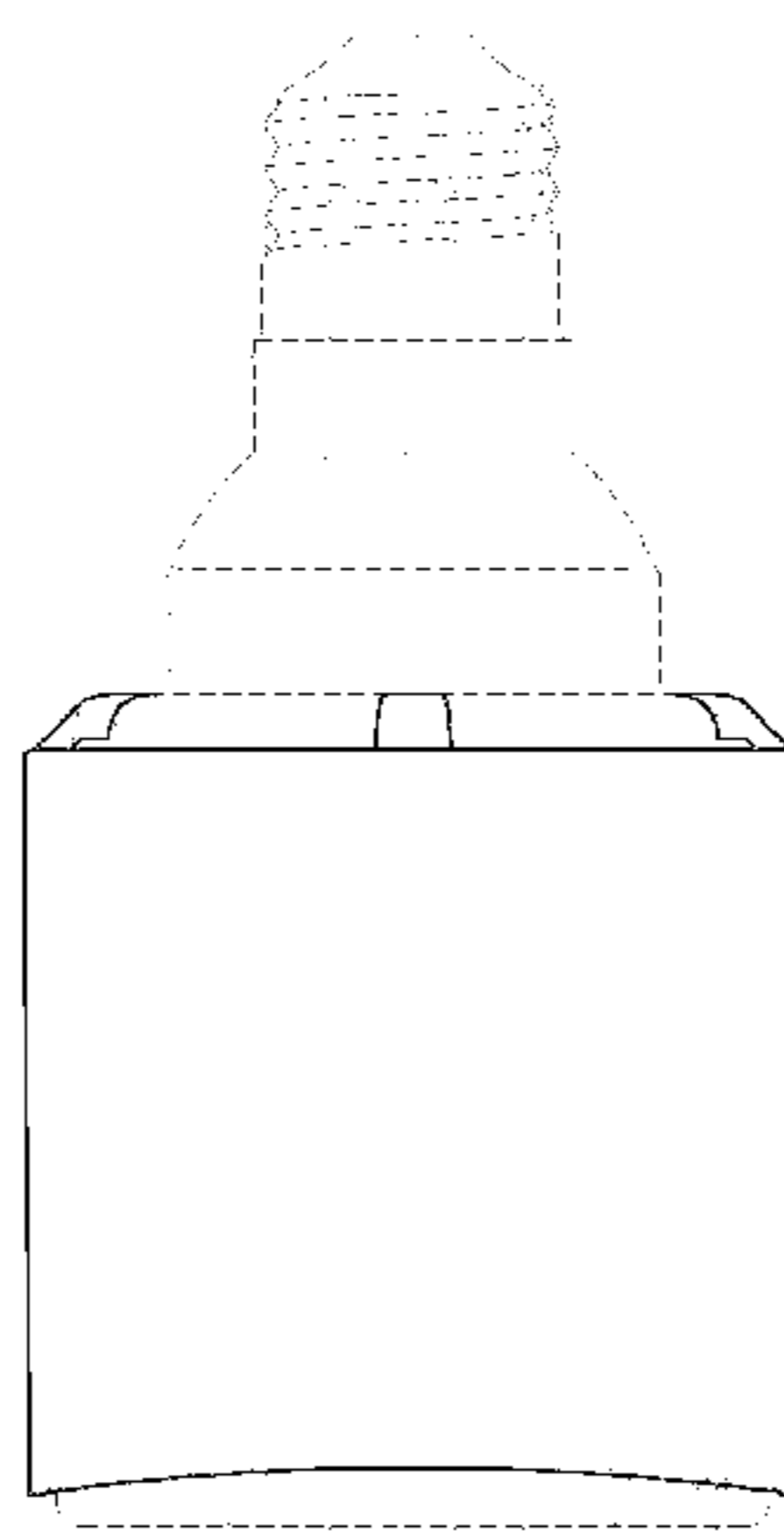
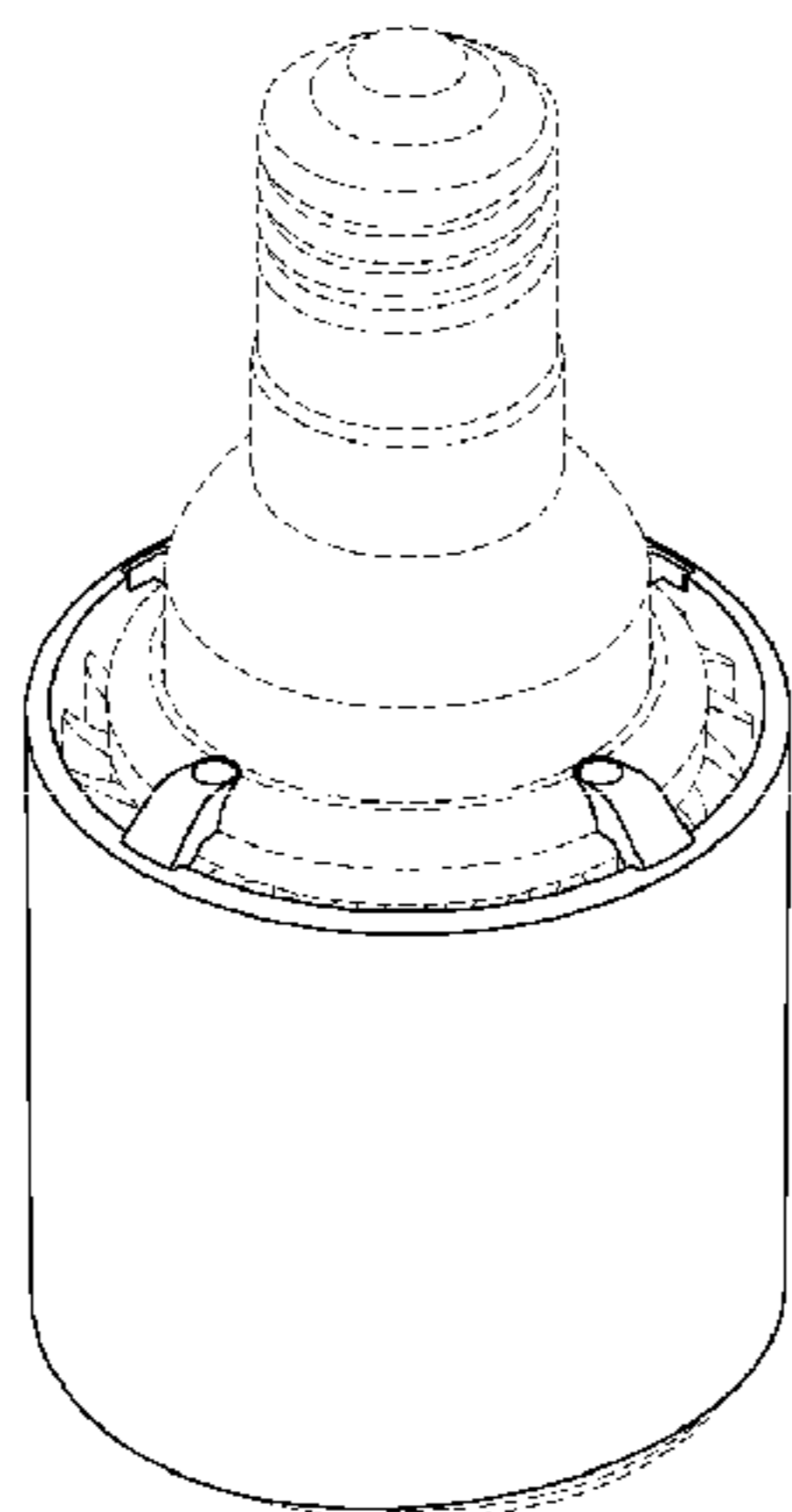
FIG. 7 is a bottom plan view thereof; and,

FIG. 8 is a bottom front perspective view thereof.

The solid diagonal lines in FIG. 8 demark light emitting parts and form no part of the design.

The broken line showing of FIGS. 1-8 is for the purpose of illustrating environmental structure and forms no part of the claimed design.

1 Claim, 4 Drawing Sheets



US D629,962 S

Page 2

U.S. PATENT DOCUMENTS

D522,686 S *	6/2006	Lee	D26/142	D566,880 S *	4/2008	Silver	D26/88
7,220,024 B1 *	5/2007	Berends	362/217.08	D571,947 S *	6/2008	Chen	D26/118
D548,877 S *	8/2007	Chen	D26/128	D605,323 S *	12/2009	Mier-Langner et al.	D26/63

* cited by examiner

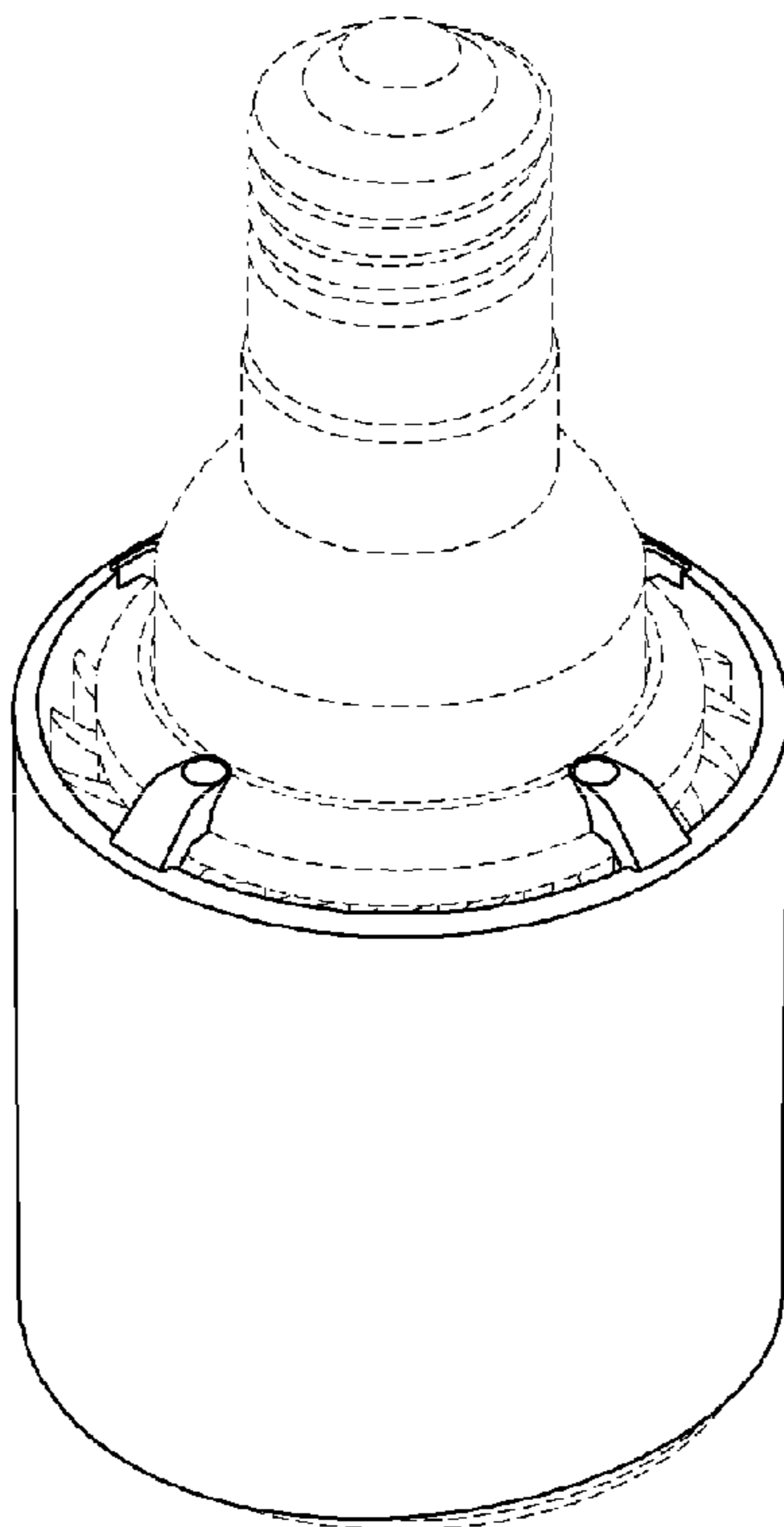


FIG. 1

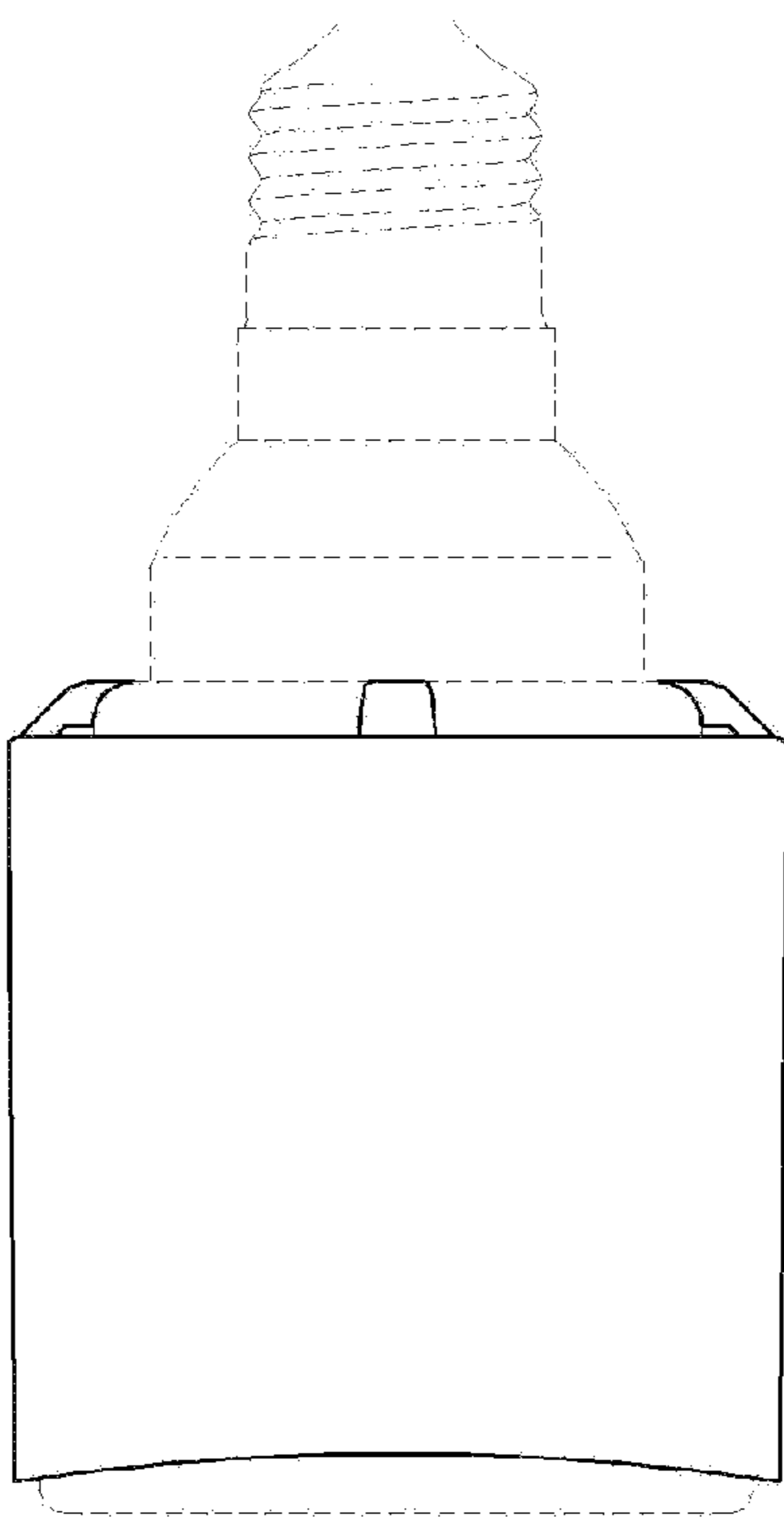


FIG. 2

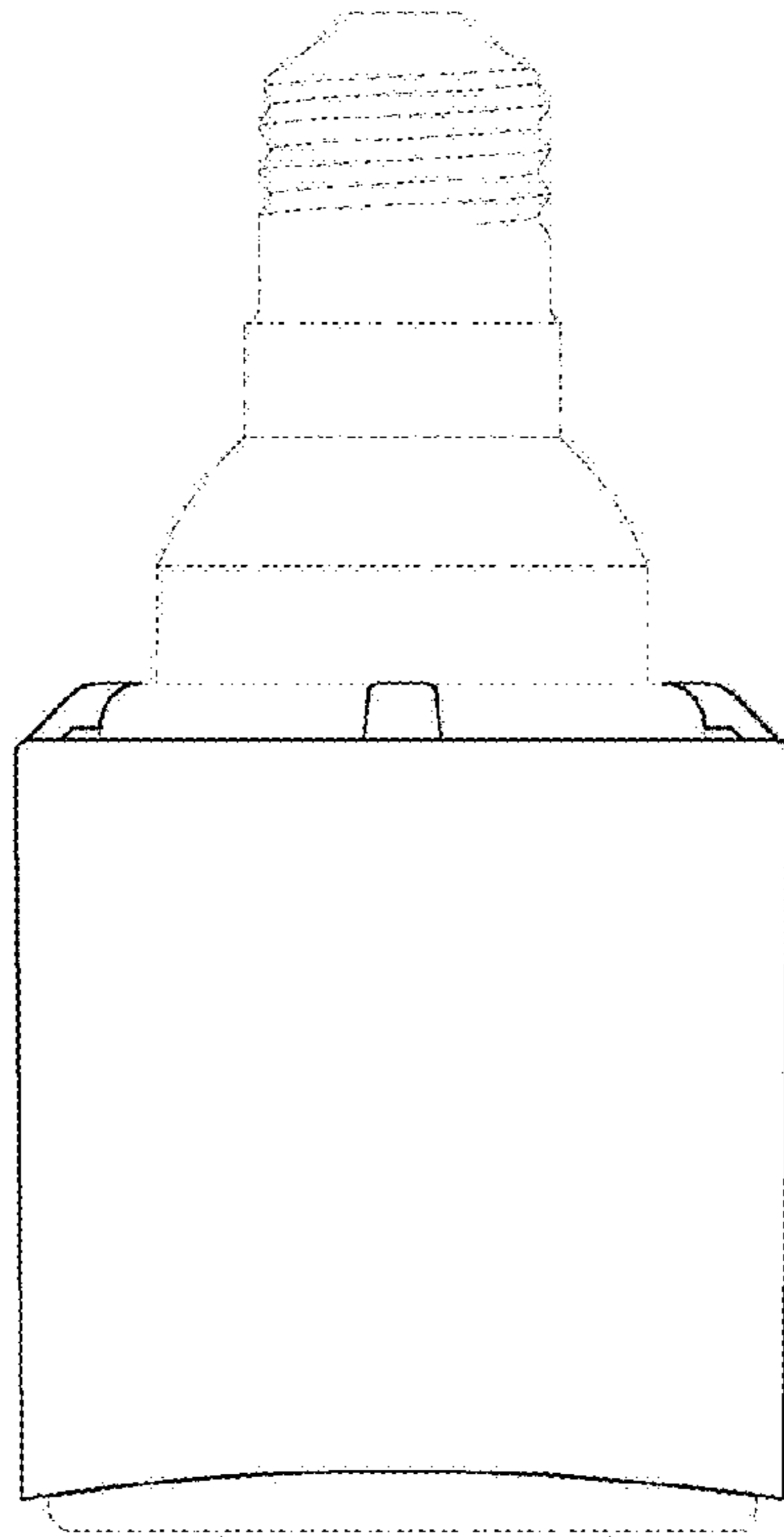


FIG. 3

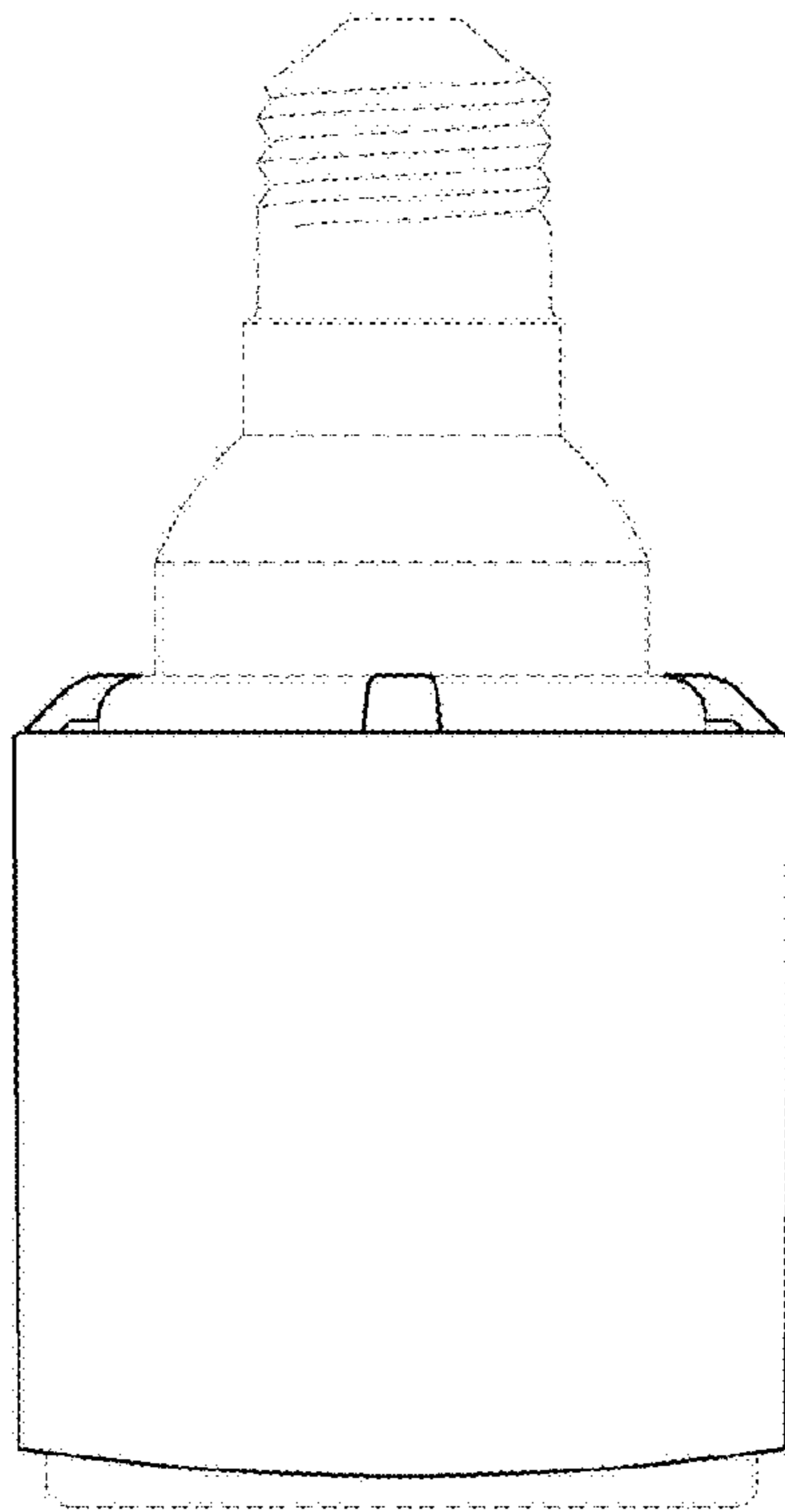


FIG. 4

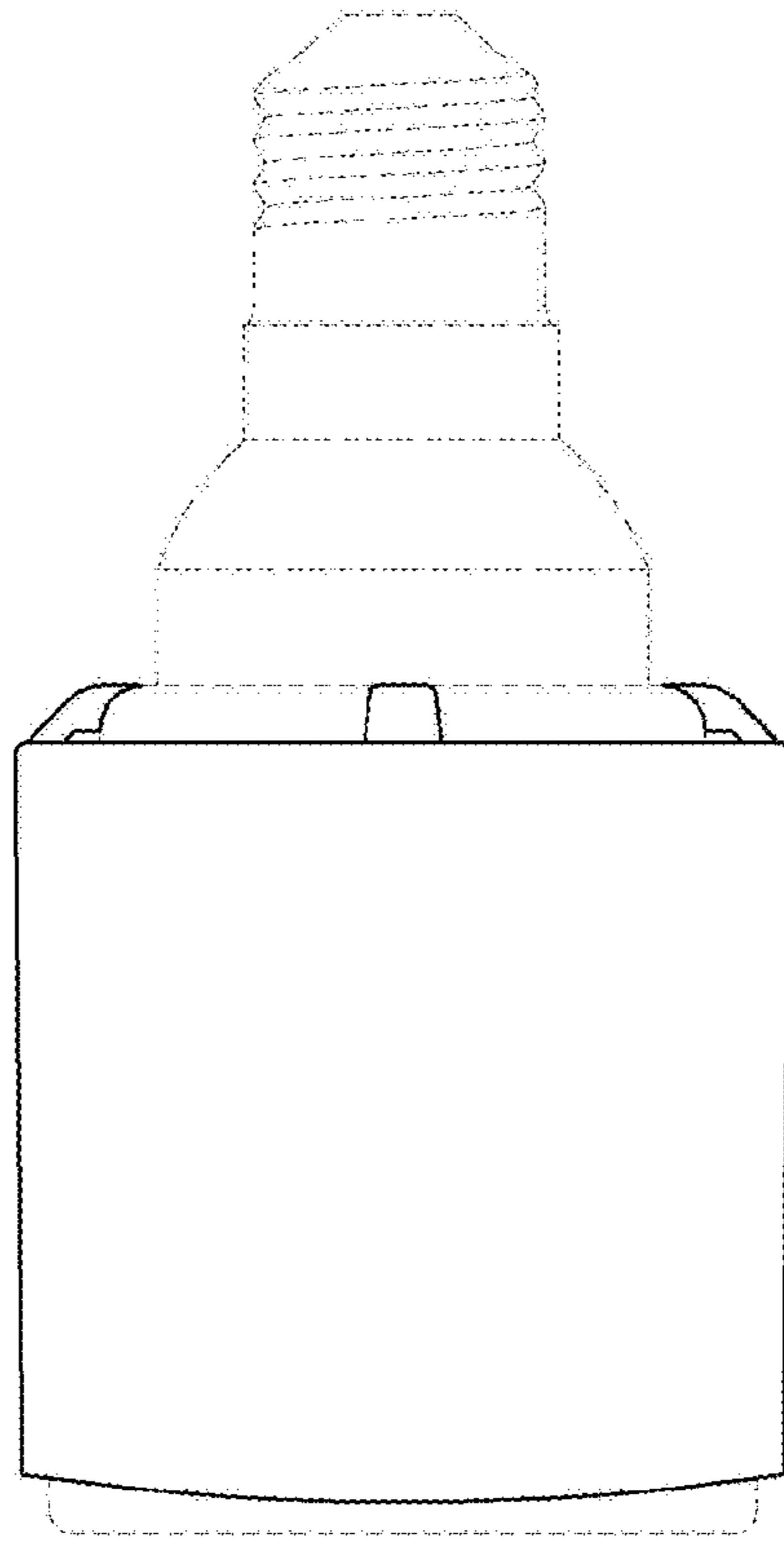


FIG. 5

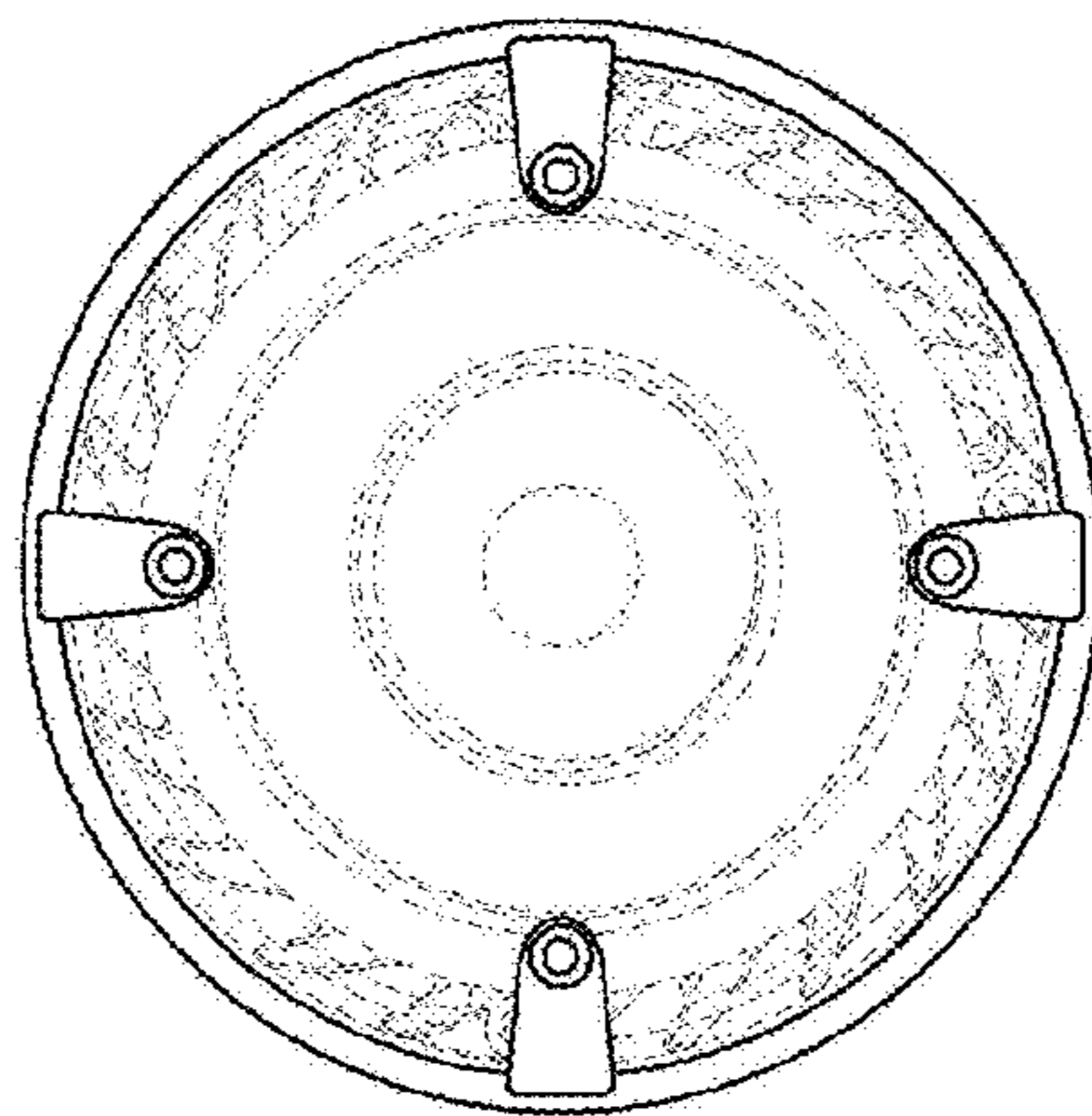


FIG. 6

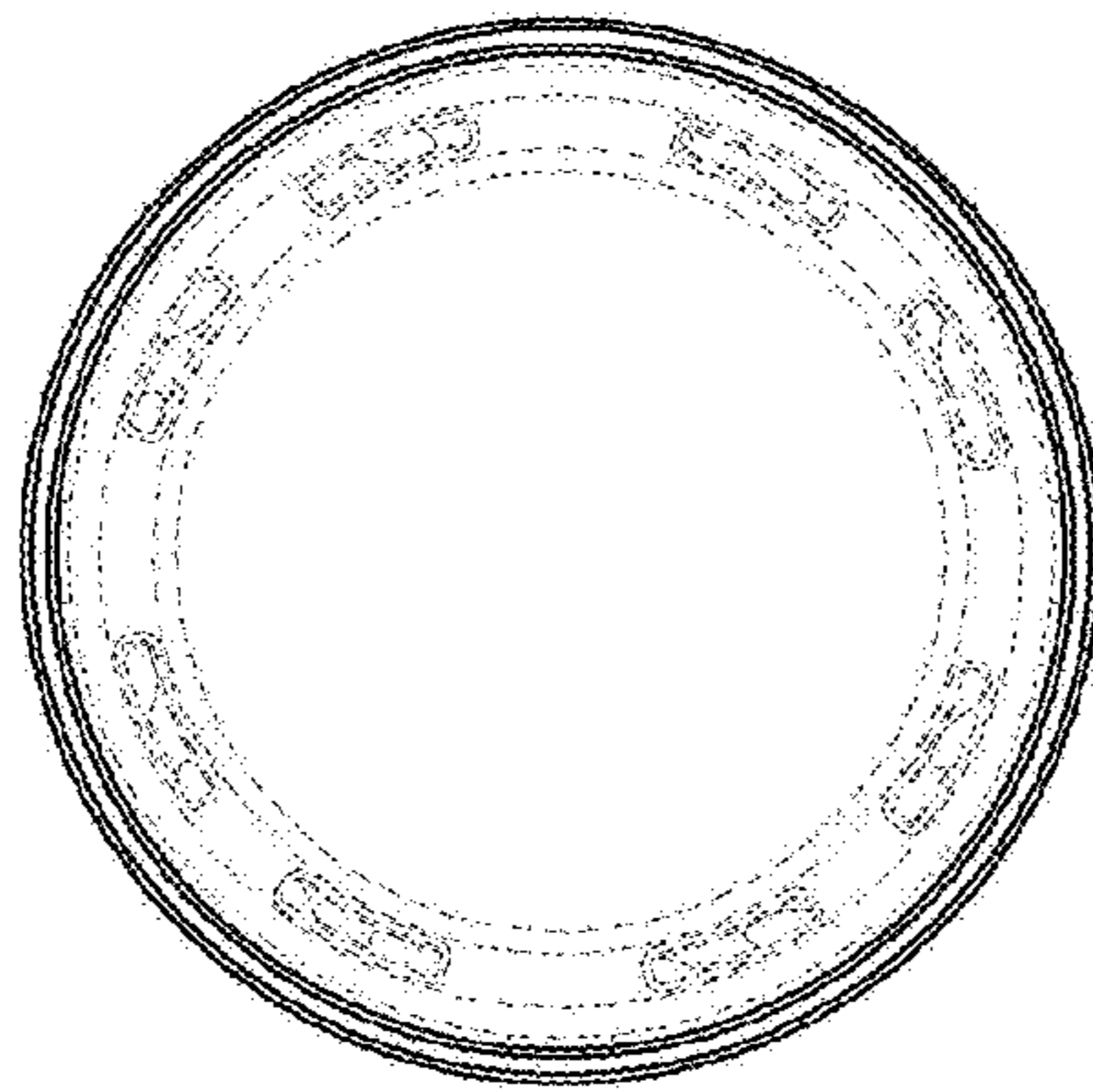


FIG. 7

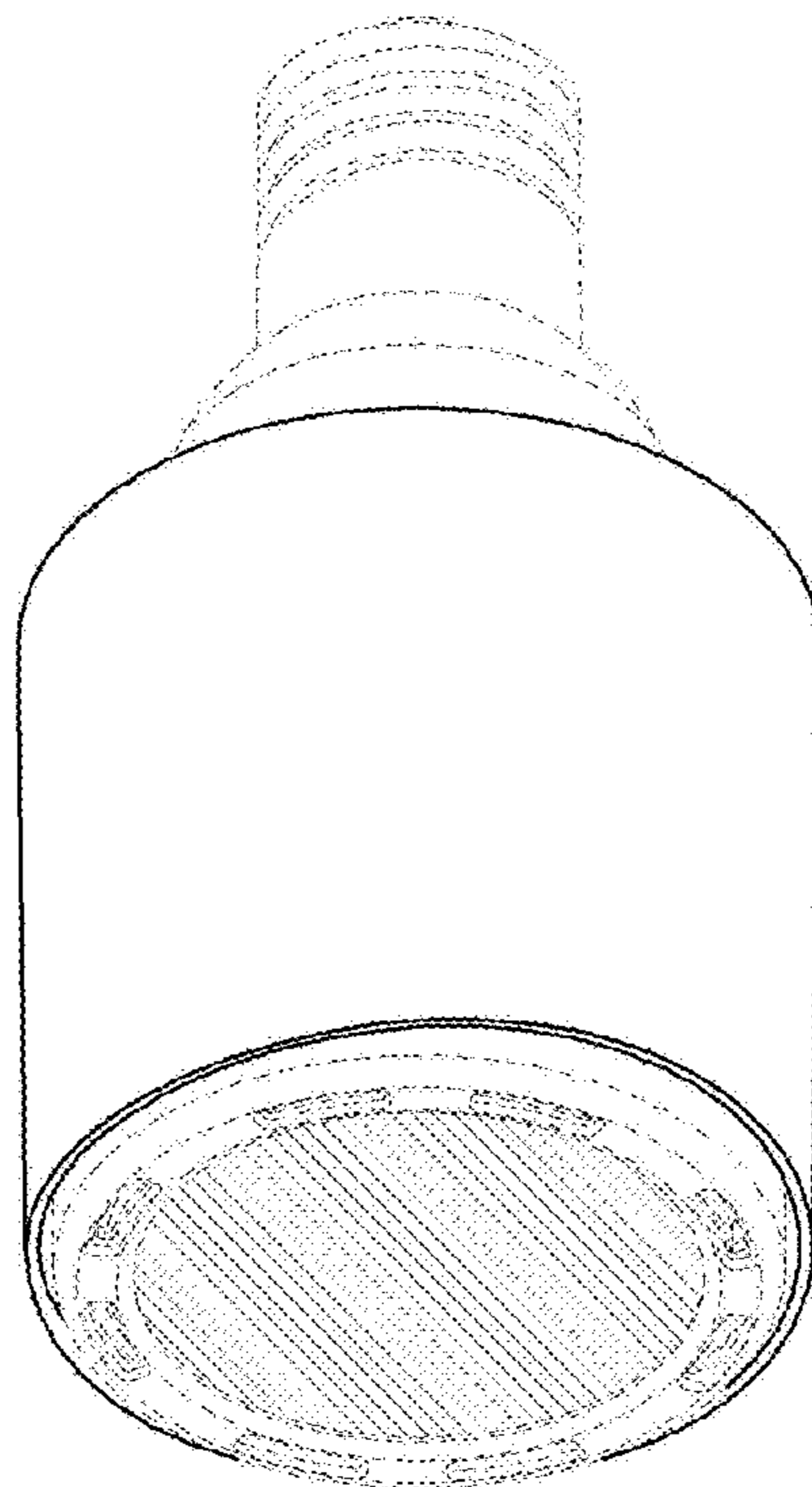


FIG. 8