



US00D629961S

(12) **United States Design Patent**
Little, Jr. et al.

(10) **Patent No.:** **US D629,961 S**
(45) **Date of Patent:** **** Dec. 28, 2010**

(54) **LENS ARRAY**

(76) Inventors: **William D. Little, Jr.**, 1591
Meadowview Dr., Corinth, TX (US)
76210; **Kevin Short**, 933 S. Brainard
Ave., La Grange, IL (US) 60525

(**) Term: **14 Years**

(21) Appl. No.: **29/358,559**

(22) Filed: **Mar. 29, 2010**

(51) **LOC (9) Cl.** **26-99**

(52) **U.S. Cl.** **D26/120**

(58) **Field of Classification Search** D26/136,
D26/63, 28, 60, 61, 142, 138, 141, 120, 118,
D26/88, 40, 37, 41, 42, 81, 84, 85, 113, 2,
D26/3, 123; 362/105, 475, 473, 219, 240,
362/244, 246, 294, 249.01–249.11, 179;
D13/147, 179, 180, 108, 134; 315/58; D34/27;
D9/425, 431, 756; D8/354; 40/553, 617,
40/492; D20/10, 42; D25/124; 439/22

See application file for complete search history.

(56) **References Cited**

U.S. PATENT DOCUMENTS

- D264,963 S * 6/1982 McComas D13/182
- 5,013,144 A 5/1991 Silvergate et al. 350/435
- D440,513 S * 4/2001 Smith D10/114
- 6,501,084 B1 * 12/2002 Sakai et al. 250/504 R
- D469,201 S * 1/2003 De Bevilacqua D26/65
- 6,659,622 B2 * 12/2003 Katogi et al. 362/219
- 6,788,541 B1 * 9/2004 Hsiung 361/719
- D522,974 S * 6/2006 Egawa D13/180
- D523,984 S * 6/2006 Cai D26/61
- D531,139 S * 10/2006 Egawa et al. D13/180
- D535,037 S * 1/2007 Kim et al. D26/1
- D541,700 S * 5/2007 Hart et al. D12/42
- D541,761 S * 5/2007 Saito et al. D13/180
- D556,926 S * 12/2007 Thirouin D26/37
- D563,014 S * 2/2008 Levine et al. D26/63
- D565,515 S * 4/2008 Chen D13/180
- D565,753 S * 4/2008 Uemoto et al. D26/24
- D565,756 S * 4/2008 Uemoto et al. D26/24

- D568,500 S * 5/2008 Uemoto et al. D26/24
- D568,833 S * 5/2008 Li D13/180
- D573,730 S * 7/2008 Uemoto et al. D26/24
- D578,246 S * 10/2008 Levine D26/113
- D578,492 S * 10/2008 Xu D13/180
- D580,379 S * 11/2008 Ogata et al. D13/180
- D581,885 S * 12/2008 Ogata et al. D13/180
- D587,219 S * 2/2009 Imai et al. D13/180

(Continued)

FOREIGN PATENT DOCUMENTS

TW 1261654 9/2006

(Continued)

Primary Examiner—Cathron C Brooks
Assistant Examiner—Kevin K Rudzinski

(57) **CLAIM**

The ornamental design for a lens array, as shown and described.

DESCRIPTION

FIG. 1 is a perspective view of a lens array showing our new design;

FIG. 2 is a front view thereof;

FIG. 3 is a rear view thereof;

FIG. 4 is a left side view thereof;

FIG. 5 is a right side view thereof;

FIG. 6 is a top view thereof;

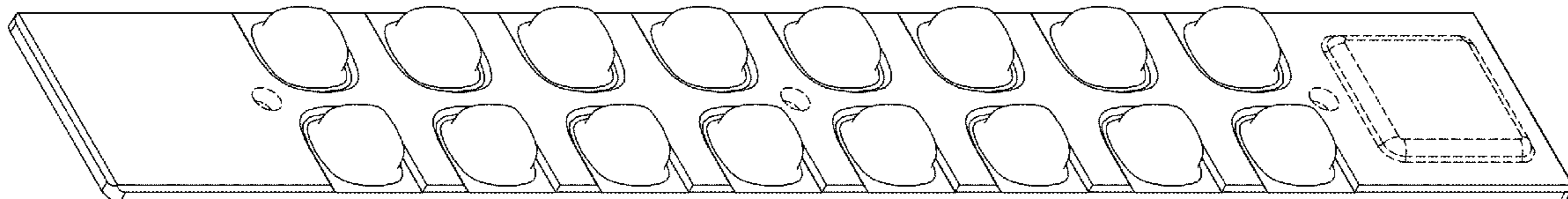
FIG. 7 is a bottom view thereof;

FIG. 8 is an enlarged cross-sectional view taken along line 8—8 in FIG. 2; and,

FIG. 9 is an enlarged cross-sectional view taken along line 9—9 in FIG. 2.

The broken line showings in the drawing are for illustrative purposes only and form no part of the claimed design. Part of the surface of the claimed lens array shown in FIGS. 8 and 9 is rough to be fog-like.

1 Claim, 6 Drawing Sheets



US D629,961 S

Page 2

U.S. PATENT DOCUMENTS				TW	D125617	10/2008
7,566,147	B2 *	7/2009	Wilcox et al. 362/249.02	TW	M352000	3/2009
D600,372	S *	9/2009	Chan et al. D26/3	TW	I312203	7/2009
7,591,572	B1 *	9/2009	Levine 362/427	TW	M380480	5/2010
2006/0092637	A1 *	5/2006	Yeh 362/249	WO	WO 2010/042423	4/2010
2006/0108670	A1	5/2006	Bambridge 257/666			

FOREIGN PATENT DOCUMENTS

TW D125388 10/2008

* cited by examiner

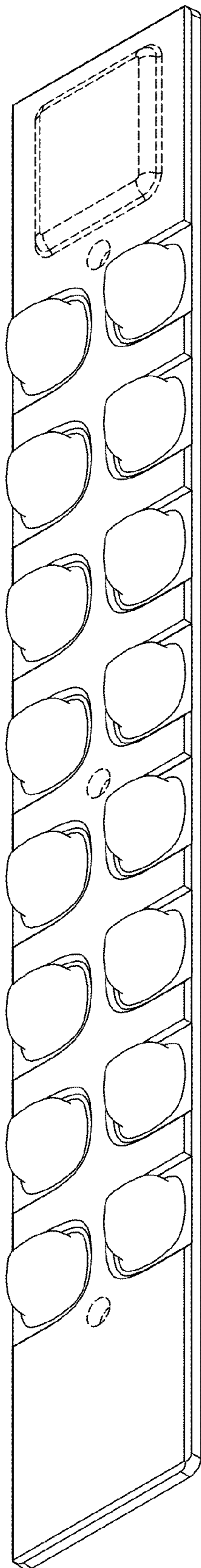


FIG. 1

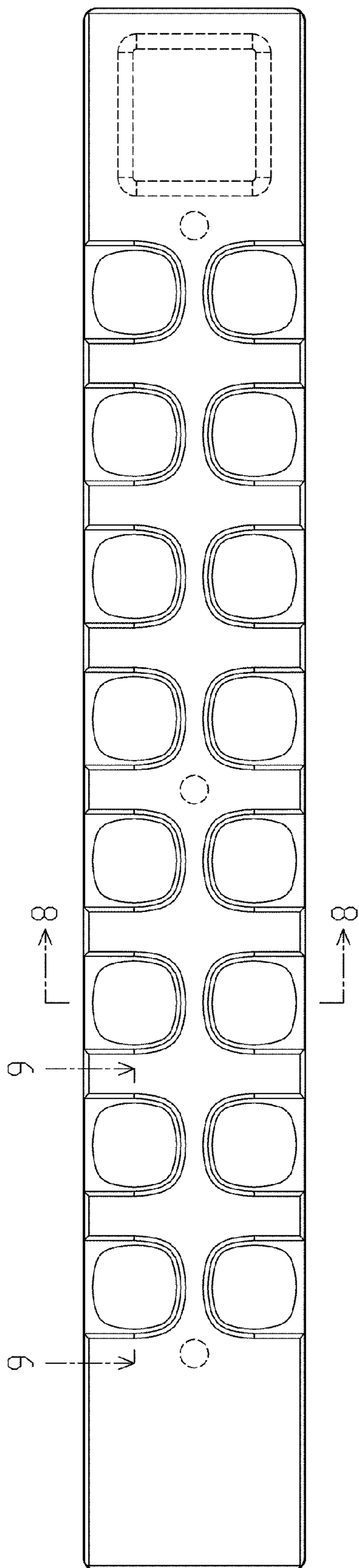


FIG. 2

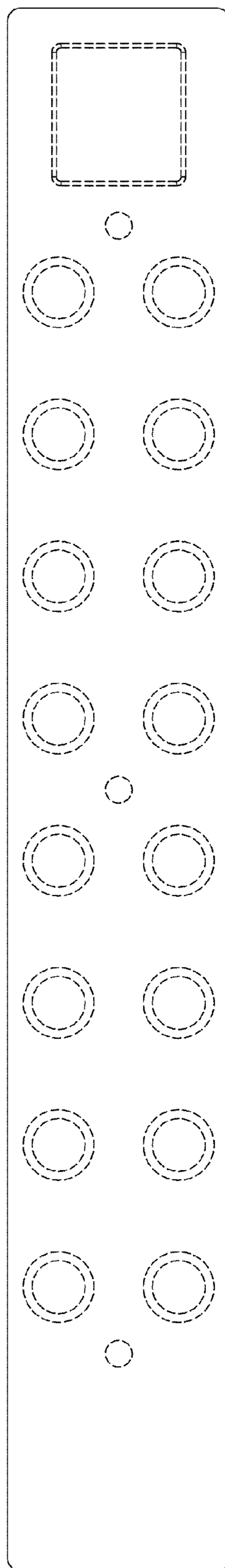


FIG. 3

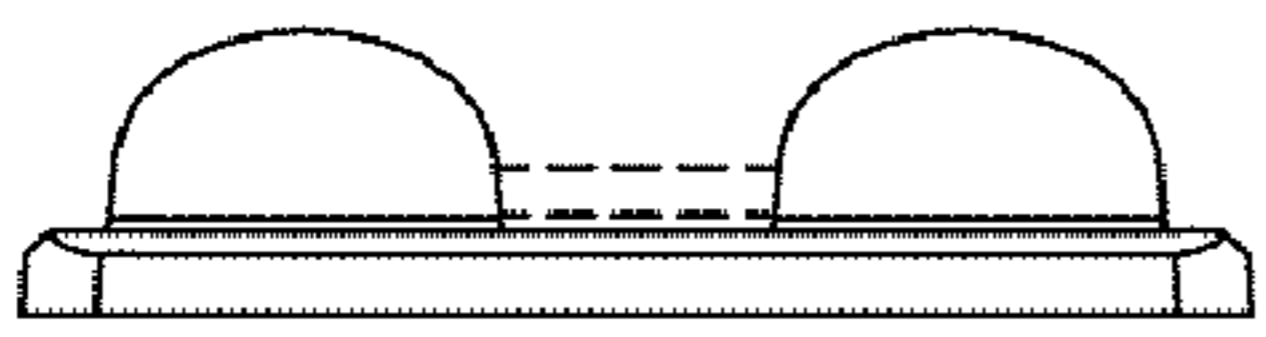


FIG. 4

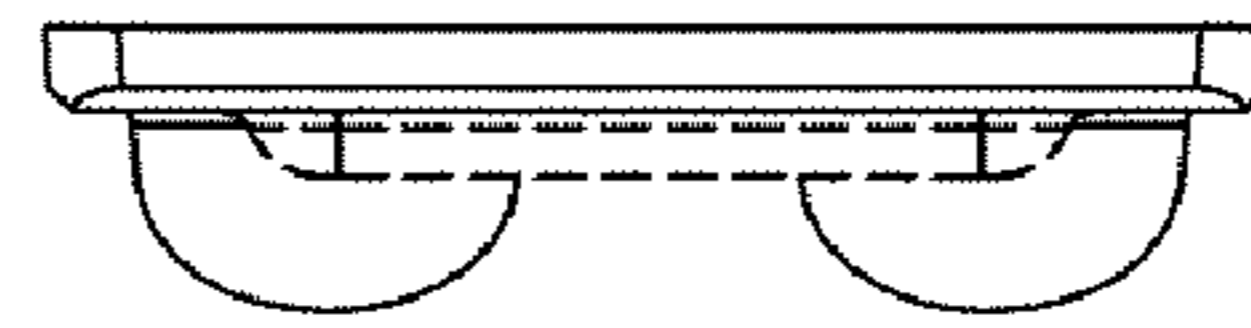


FIG. 5



FIG. 6

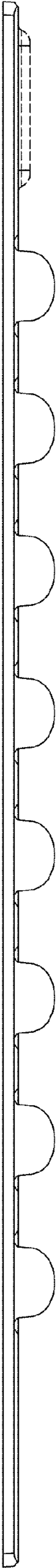


FIG. 7

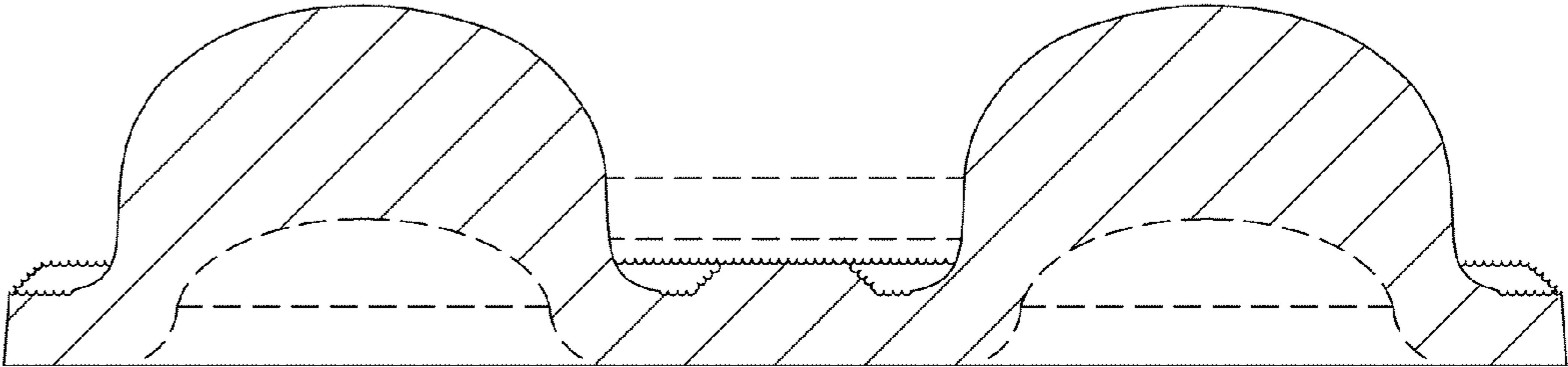


FIG. 8

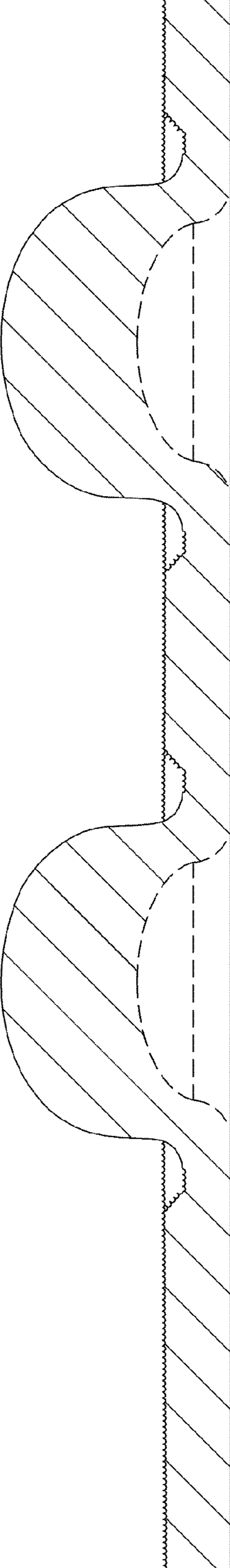


FIG. 9