



US00D629957S

(12) **United States Design Patent**
Lodhie

(10) **Patent No.:** **US D629,957 S**

(45) **Date of Patent:** **** Dec. 28, 2010**

(54) **LED LIGHT MODULE**

(76) **Inventor:** **Pervaiz Lodhie**, 23105 Kashiwa Ct.,
Torrance, CA (US) 90505

(**) **Term:** **14 Years**

(21) **Appl. No.:** **29/356,039**

(22) **Filed:** **Feb. 18, 2010**

Related U.S. Application Data

(63) Continuation of application No. 29/318,600, filed on
Jun. 10, 2008, now Pat. No. Des. 614,318.

(51) **LOC (9) Cl.** **26-99**

(52) **U.S. Cl.** **D26/118; D26/122**

(58) **Field of Classification Search** D26/72,
D26/81-86, 88-91, 118-122; 362/147, 404-408,
362/443, 457, 341, 346
See application file for complete search history.

(56) **References Cited**

U.S. PATENT DOCUMENTS

D27,705 S *	9/1897	Jacobs	D25/109
1,800,078 A	4/1931	Johnson		
1,838,789 A	12/1931	Schepperle		
D127,593 S *	6/1941	Shuman	D26/122
2,260,473 A	10/1941	Minchillo		
2,408,643 A	10/1946	Hoy		
D195,310 S	5/1963	Zagel		
3,183,346 A	5/1965	Spaulding et al.		
D201,380 S *	6/1965	Schwenkler	D26/122
D206,021 S *	10/1966	Carter	D26/121
D209,721 S *	12/1967	Stanley	D10/111
3,474,381 A	10/1969	Baldwin		
3,539,801 A	11/1970	Bobrick		
3,603,918 A	9/1971	Woertz		
3,718,816 A	2/1973	Seelbach et al.		
3,980,368 A	9/1976	Fremont		

(Continued)

OTHER PUBLICATIONS

U.S. Appl. No. 11/928,349, Oct. 30, 2007, Lodhie.

U.S. Appl. No. 29/302,219, Jan. 11, 2008, Lodhie.

(Divisional) U.S. Appl. No. 29/322,471, Aug. 5, 2008, Lodhie.

(Divisional) U.S. Appl. No. 29/323,210, Aug. 20, 2008, Lodhie.

(Divisional) U.S. Appl. No. 29/324,267, Sep. 9, 2008, Lodhie.

(Continued)

Primary Examiner—Clare E Heflin

(74) *Attorney, Agent, or Firm*—Alonzo & Associates; Arlyn
Alonzo

(57) **CLAIM**

The ornamental design for a LED light module, as shown and
described.

DESCRIPTION

FIG. 1 is a perspective view of an LED light module showing
a first embodiment.

FIG. 2 is a right side view thereof.

FIG. 3 is a left side view thereof.

FIG. 4 is a front view thereof.

FIG. 5 is a back view thereof.

FIG. 6 is a top view thereof.

FIG. 7 is a bottom view thereof.

FIG. 8 is a perspective view of the LED light module showing
the design of FIG. 1 with the support pieces being removed
for illustrative purposes only;

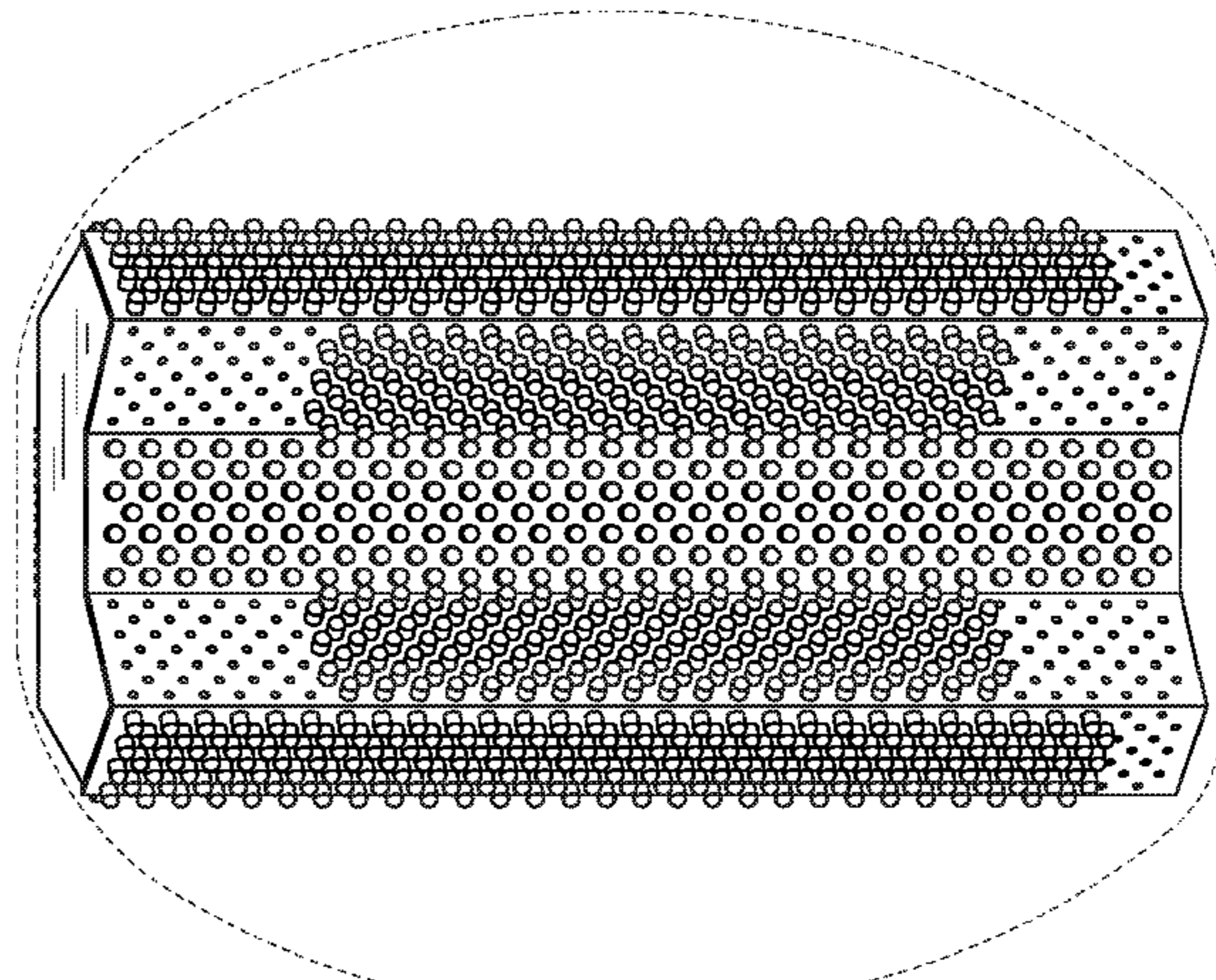
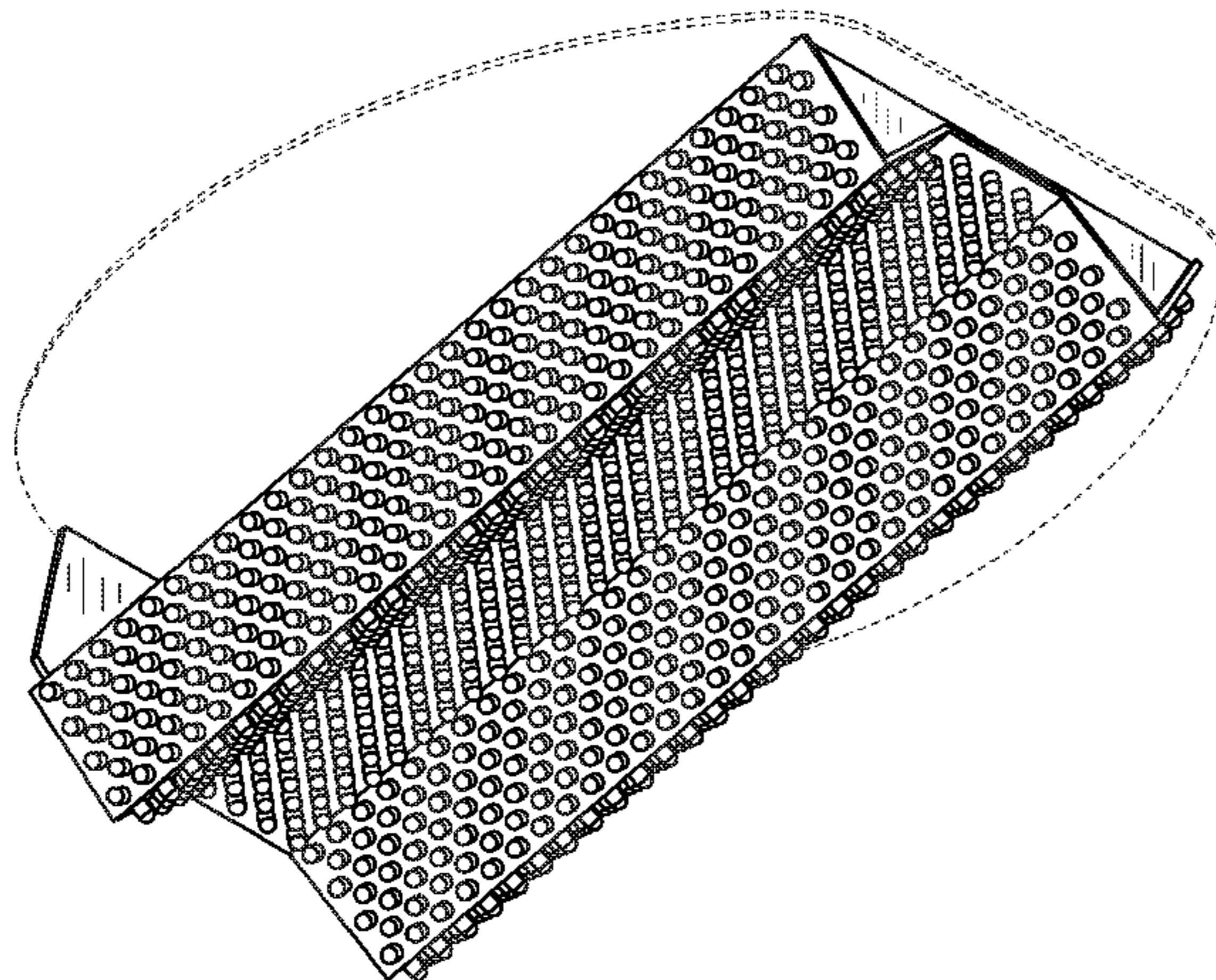
FIG. 9 is a side view thereof showing the design mounted on
a street post.

FIG. 10 is a perspective view of an LED light module showing
a second embodiment; and,

FIG. 11 is a perspective view of the LED light module show-
ing the design of FIG. 10 with the support pieces being
removed for illustrative purposes only.

The back plate, street post and the housing of the LED light
module are all shown in broken lines in the figures to repre-
sent environment only and form no part of the claimed design.

1 Claim, 9 Drawing Sheets



US D629,957 S

U.S. PATENT DOCUMENTS

4,190,309 A	2/1980	Glass	5,947,588 A	9/1999	Huang
4,211,955 A	7/1980	Ray	5,964,051 A	10/1999	Loeber et al.
4,214,295 A	7/1980	Morton	5,984,494 A	11/1999	Chapman et al.
4,217,018 A	8/1980	Yoshida et al.	6,011,493 A	1/2000	Bushell et al.
4,655,520 A	4/1987	Cummings	6,013,985 A	1/2000	Green et al.
4,727,289 A	2/1988	Uchida	D434,510 S	11/2000	Lodhie
4,729,742 A	3/1988	Onishi et al.	6,152,568 A	11/2000	Baba et al.
4,772,869 A	9/1988	Grammas et al.	6,220,722 B1	4/2001	Begemann
4,812,814 A	3/1989	Elliott	6,227,679 B1	5/2001	Zhang et al.
4,868,719 A	9/1989	Kouchi et al.	6,234,648 B1	5/2001	Borner et al.
4,907,361 A	3/1990	Villard	6,283,612 B1	9/2001	Hunter
4,965,457 A	10/1990	Wrobel	6,336,613 B1	1/2002	Roth
5,055,984 A	10/1991	Hung et al.	6,345,902 B2	2/2002	Ohkohdo et al.
D321,407 S *	11/1991	Heidmann D26/72	6,371,636 B1	4/2002	Wesson
D326,532 S	5/1992	Hume et al.	6,457,270 B1	10/2002	Stark, III et al.
5,119,174 A	6/1992	Chen	6,457,410 B1	10/2002	Zerillo
5,151,679 A	9/1992	Dimmick	6,550,949 B1	4/2003	Bauer et al.
5,152,601 A	10/1992	Ferng	6,580,228 B1	6/2003	Chen et al.
5,154,509 A	10/1992	Wulfman et al.	6,598,996 B1	7/2003	Lodhie
5,160,200 A	11/1992	Cheselske	6,659,622 B2	12/2003	Katogi et al.
5,160,201 A	11/1992	Wrobel	6,659,623 B2	12/2003	Friend
5,193,904 A	3/1993	Rist et al.	6,659,632 B2	12/2003	Chen
5,224,773 A	7/1993	Arimura	6,700,502 B1	3/2004	Pederson
5,237,490 A	8/1993	Ferng	6,722,771 B1	4/2004	Stephens
5,241,457 A	8/1993	Sasajima et al.	6,768,047 B2	7/2004	Chang et al.
5,303,124 A	4/1994	Wrobel	6,814,459 B2	11/2004	Pederson
5,353,209 A	10/1994	Foottit	D500,882 S *	1/2005	Herst et al. D26/118
5,390,092 A	2/1995	Lin	6,942,361 B1 *	9/2005	Kishimura et al. 362/240
5,400,288 A	3/1995	Kao	7,063,451 B2	6/2006	Shen
5,410,453 A	4/1995	Ruskouski	7,111,957 B2	9/2006	Bernhart et al.
5,453,729 A	9/1995	Chu	7,234,832 B2	6/2007	Lippis et al.
5,526,236 A	6/1996	Burnes et al.	7,237,932 B2	7/2007	Ter Hovhannissian
5,567,036 A	10/1996	Theobald et al.	7,585,090 B2 *	9/2009	Wu 362/249.02
5,577,832 A	11/1996	Lodhie	D605,341 S *	12/2009	Chung et al. D26/118
5,585,783 A	12/1996	Hall	2002/0163805 A1	11/2002	Hubbell et al.
5,588,740 A	12/1996	Kasuga	2002/0171543 A1	11/2002	Abbe et al.
5,599,086 A	2/1997	Dutta	2002/0196707 A1	12/2002	Kitchin et al.
5,629,607 A	5/1997	Callahan et al.	2003/0095404 A1	5/2003	Becks et al.
5,647,658 A	7/1997	Ziadi	2003/0102810 A1	6/2003	Cross et al.
5,661,374 A	8/1997	Cassidy et al.	2004/0012959 A1	1/2004	Robertson et al.
5,661,645 A	8/1997	Hochstein	2004/0062041 A1	4/2004	Cross et al.
D385,051 S	10/1997	Wu	2006/0109661 A1	5/2006	Coushaine et al.
5,702,177 A	12/1997	Lin	2009/0141494 A1 *	6/2009	Zhang et al. 362/249.03
D388,726 S	1/1998	Wu	2009/0168418 A1 *	7/2009	Zheng et al. 362/234
5,710,560 A	1/1998	Cohn	2009/0185374 A1 *	7/2009	Wu et al. 362/249.06
5,765,940 A	6/1998	Levy et al.			
5,772,315 A	6/1998	Shen			
5,793,164 A	8/1998	Authier			
5,803,585 A	9/1998	Littman et al.			
5,806,965 A	9/1998	Deese			
D402,772 S	12/1998	Lodhie			
5,842,297 A	12/1998	Tung			
D404,506 S	1/1999	Lodhie			
5,855,268 A	1/1999	Zoladz, Jr.			
D405,201 S	2/1999	Lodhie			
5,887,968 A	3/1999	Logan			
5,921,660 A	7/1999	Yu			
5,929,788 A	7/1999	Vukosic			

OTHER PUBLICATIONS

U.S. Appl. No. 11/924,496, Oct. 25, 2007, Lodhie.
 U.S. Appl. No. 29/302,184, Jan. 11, 2008, Lodhie.
 U.S. Appl. No. 12/137,337, Jun. 11, 2008, Lodhie.
 U.S. Appl. No. 29/318,602, Jun. 10, 2008, Lodhie.
 U.S. Appl. No. 29/318,604, Jun. 10, 2008, Lodhie.
 Four (4) photographs of an LED light fixture that is commercially available.
 LED light fixtures available on the following website: www.hollysolar.com.
 LED light fixtures available on the following website: www.qeblighting.com.

* cited by examiner

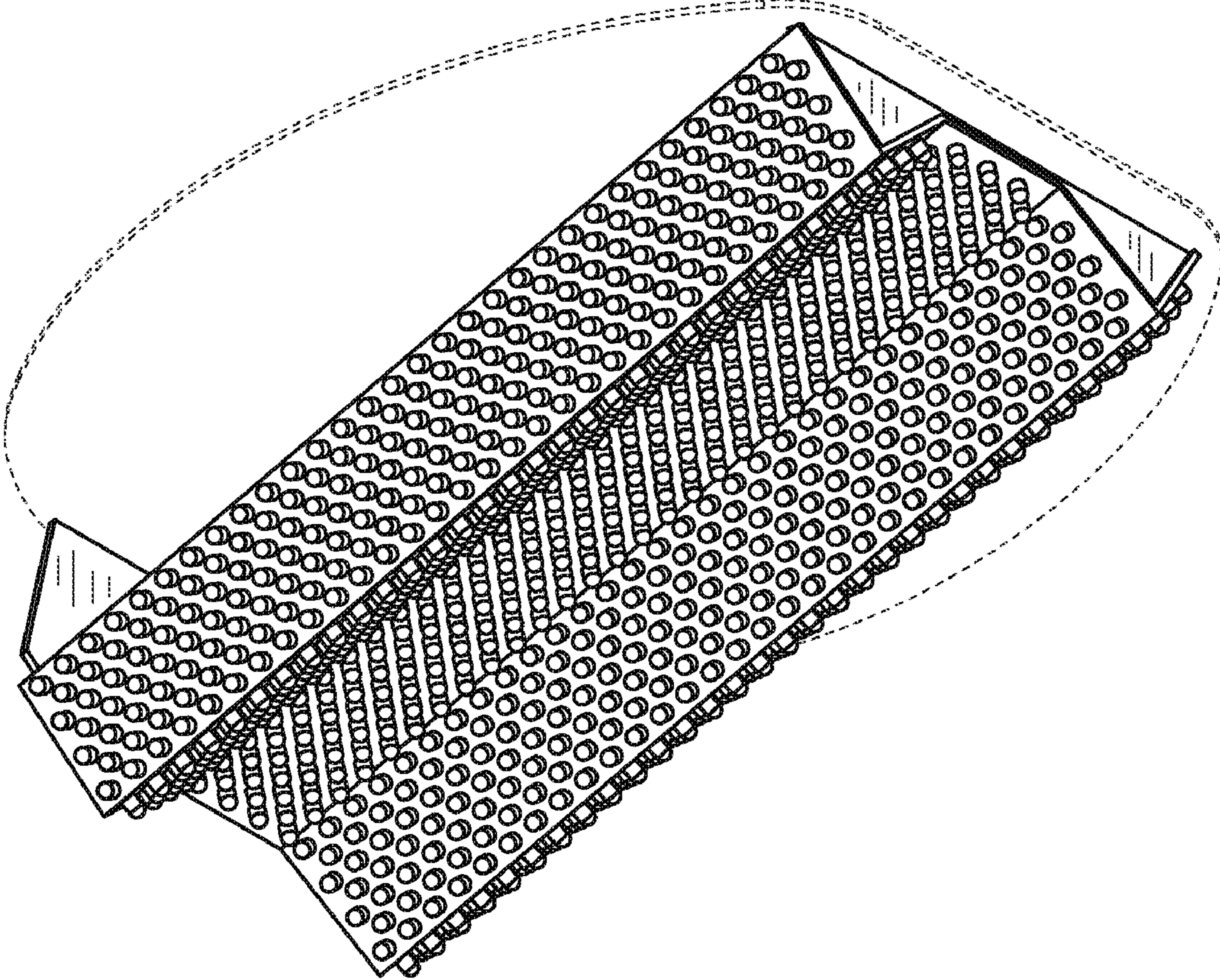


FIG. 1

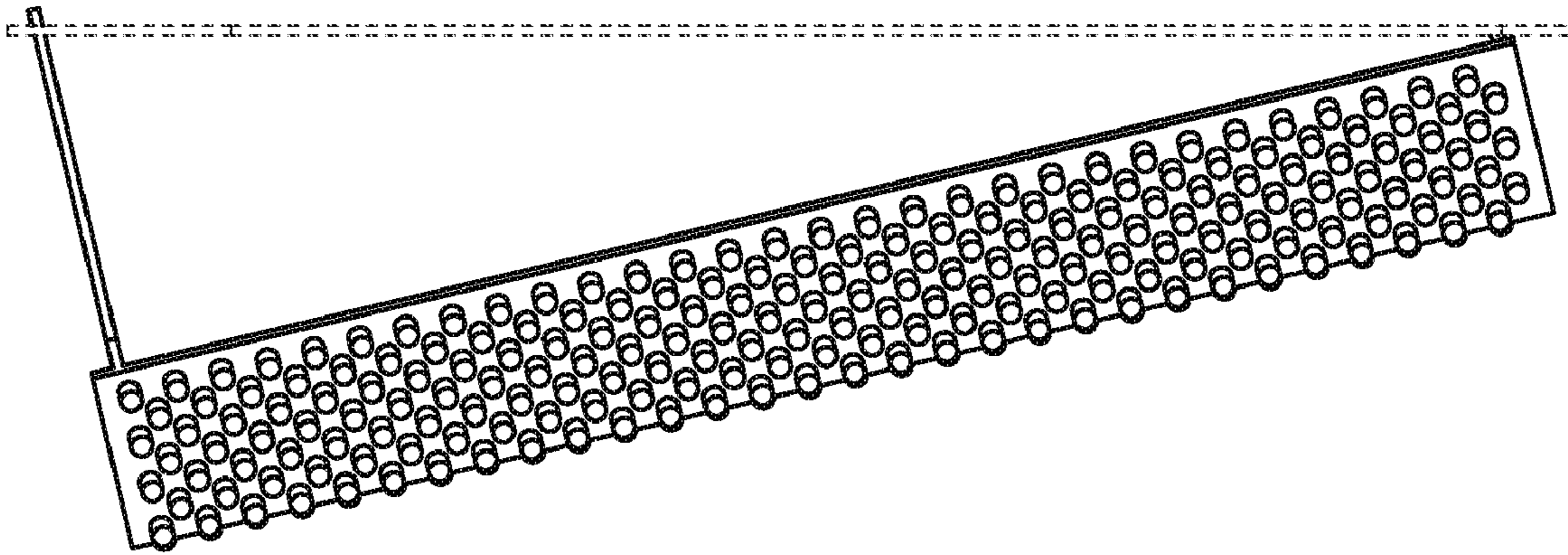


FIG. 2

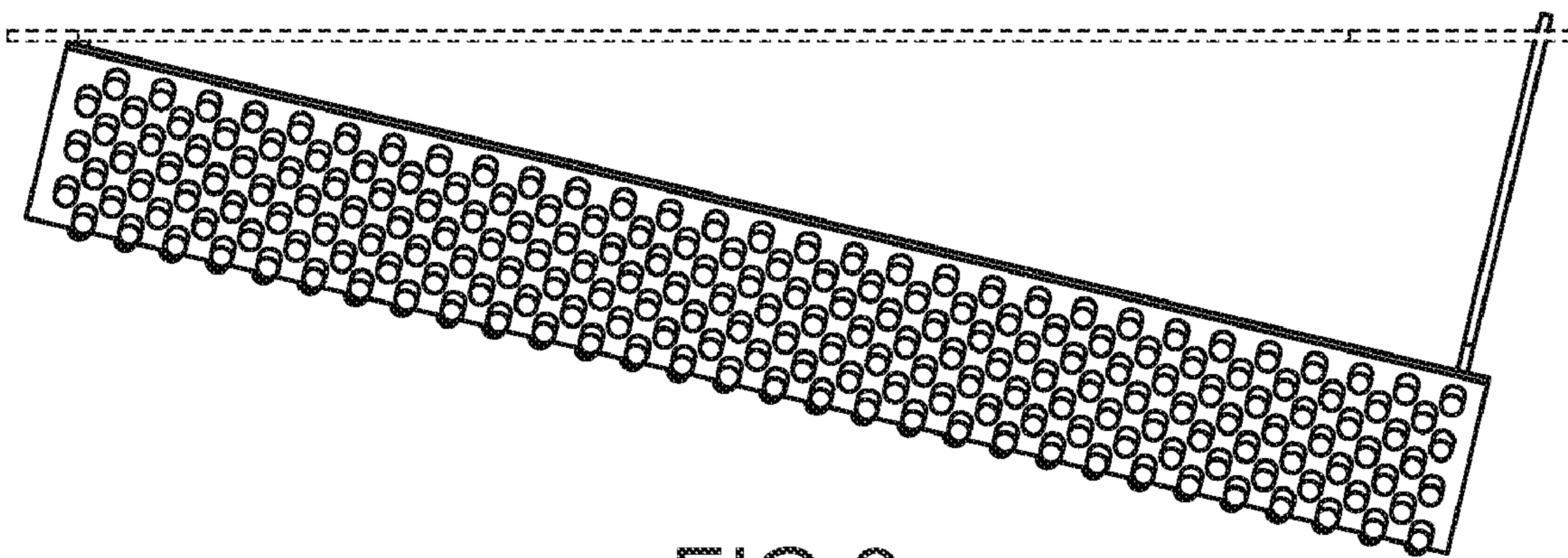


FIG. 3

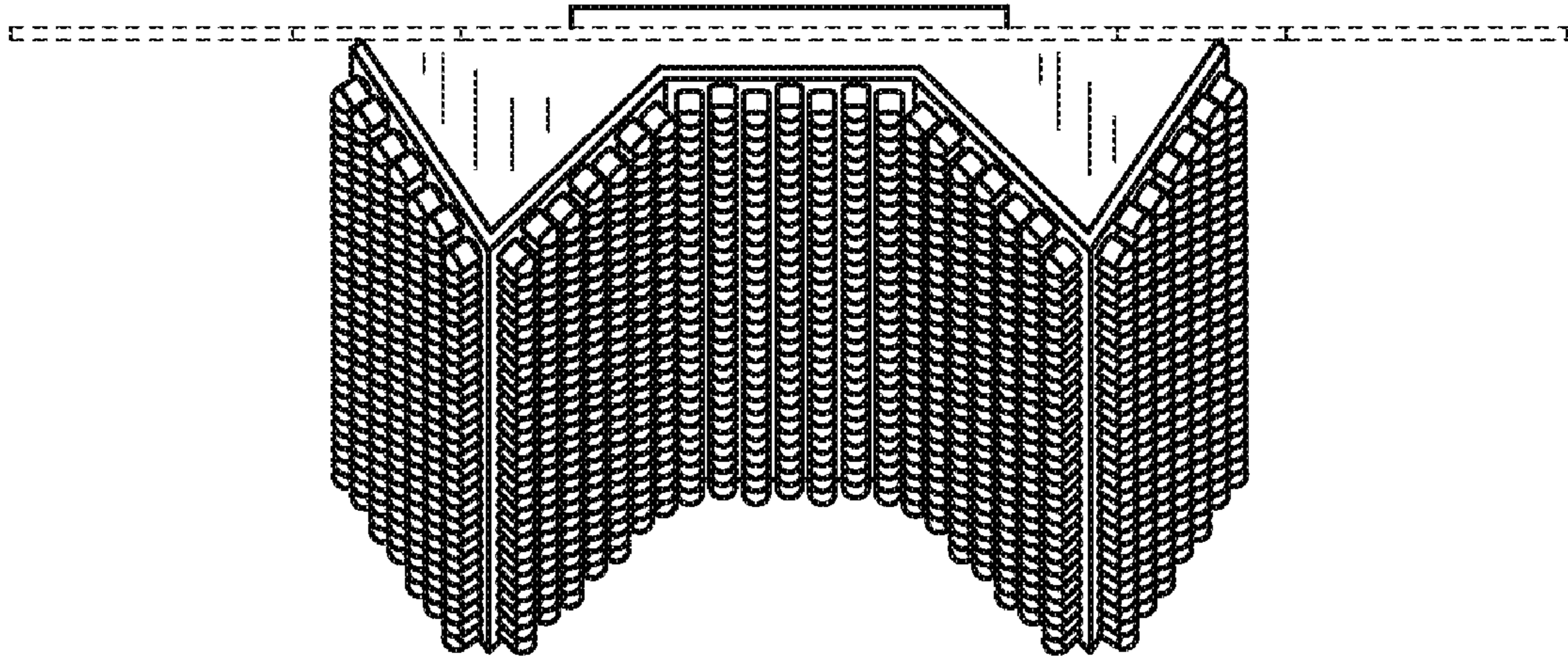


FIG. 4

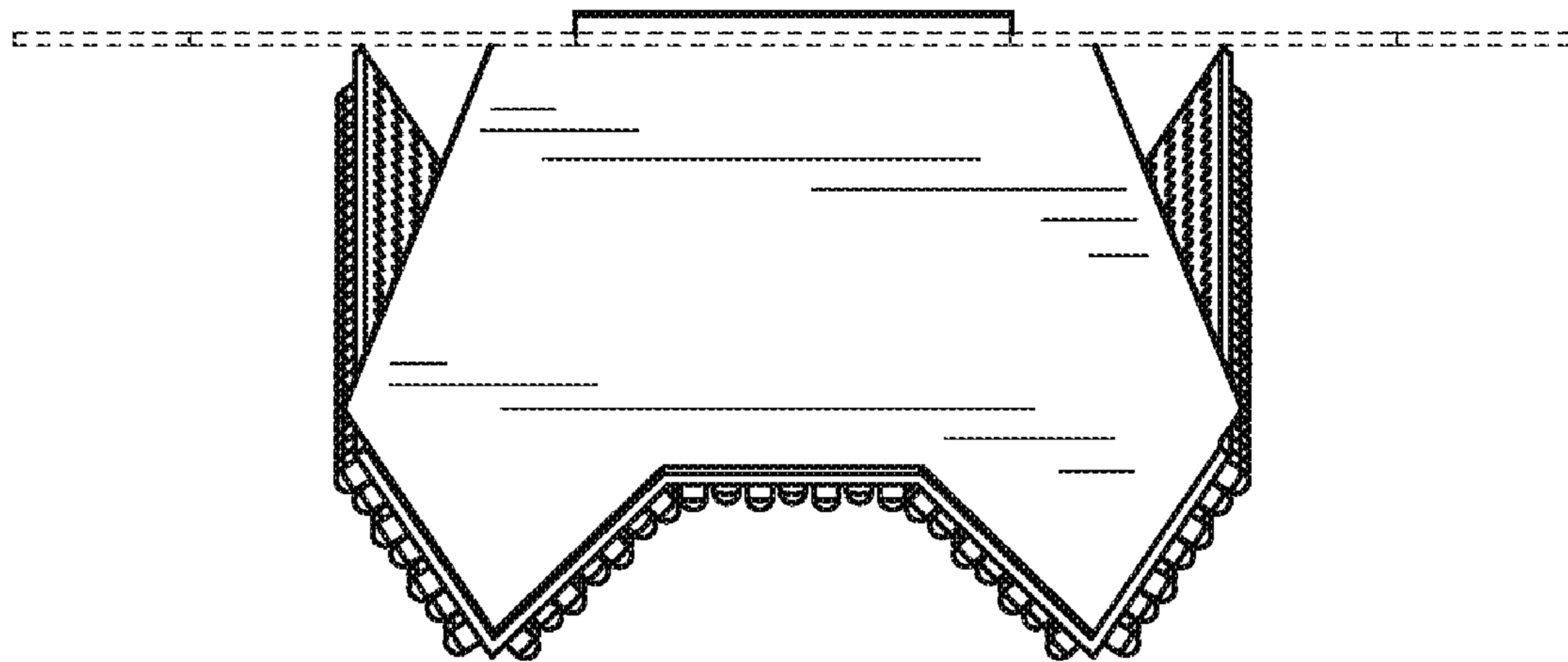


FIG. 5

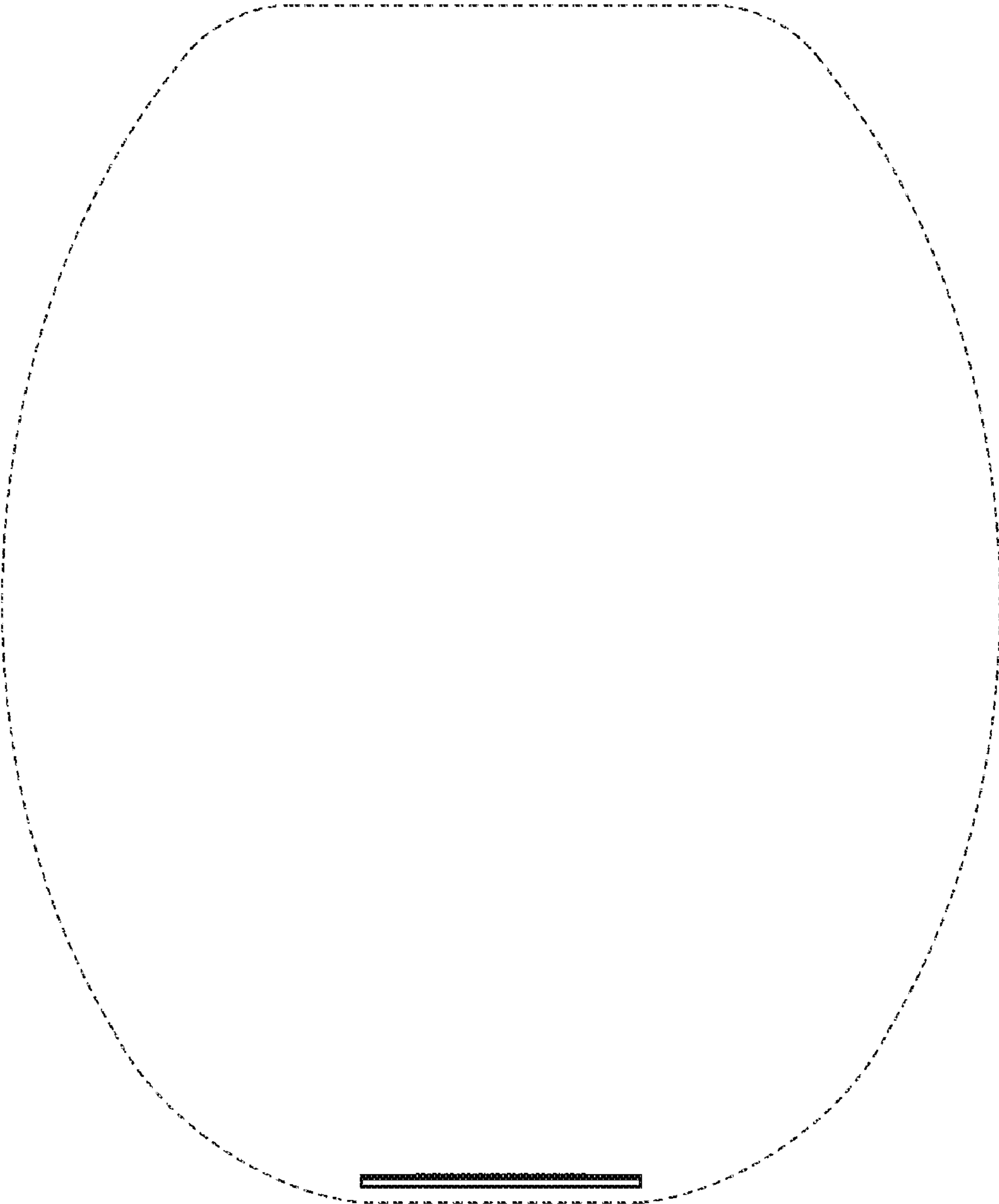


FIG. 6

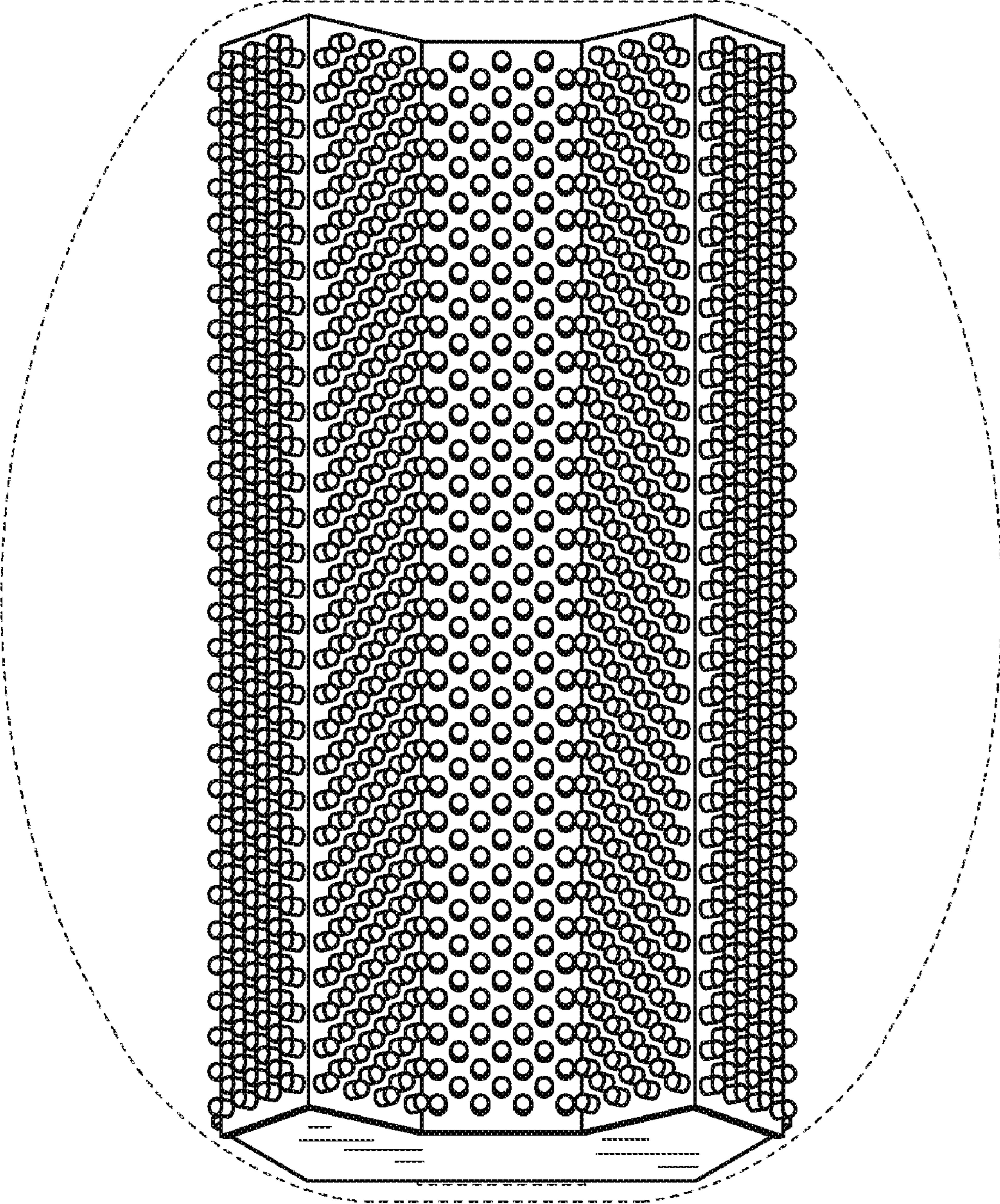


FIG. 7

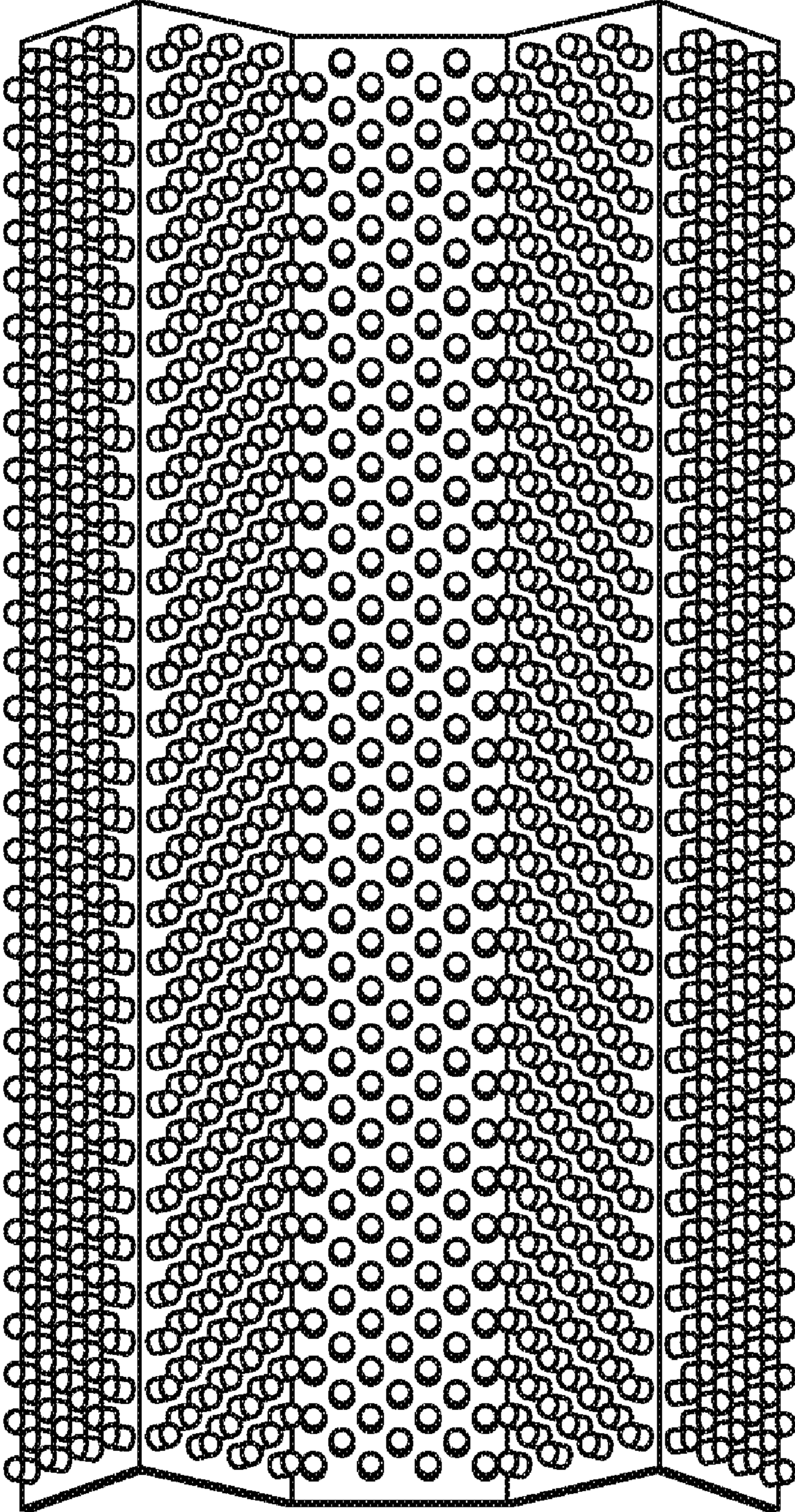


FIG. 8

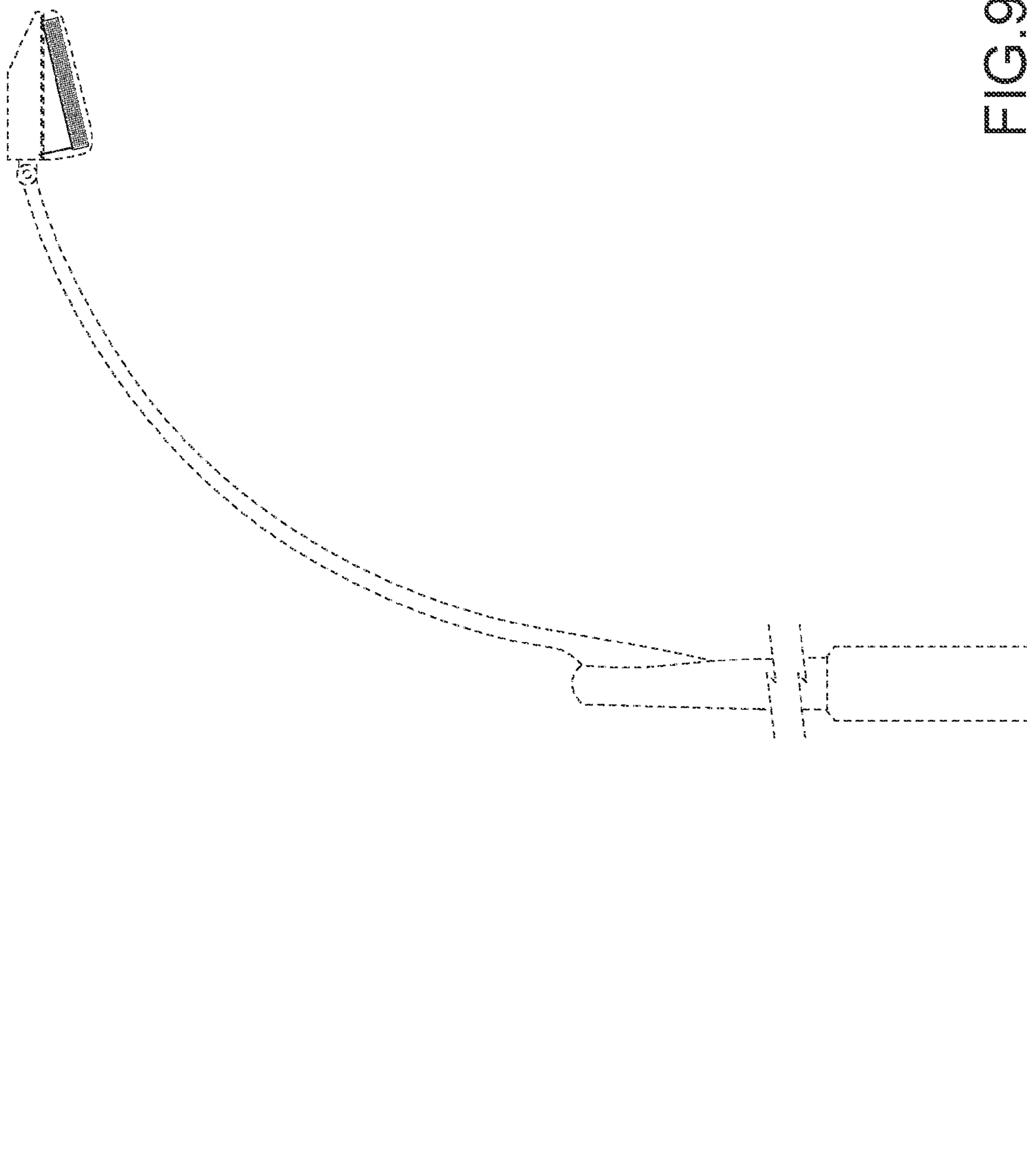


FIG. 9

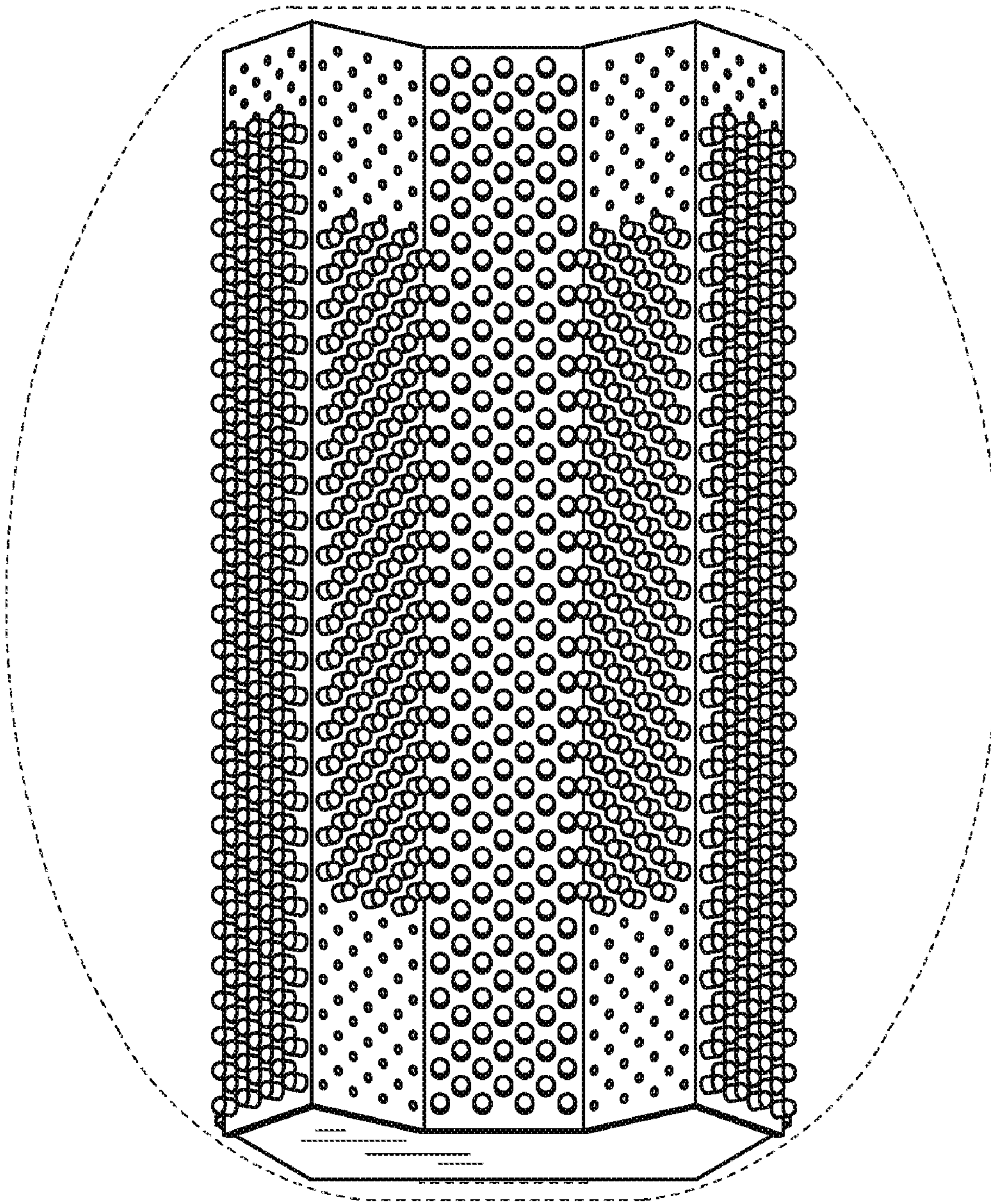


FIG.10

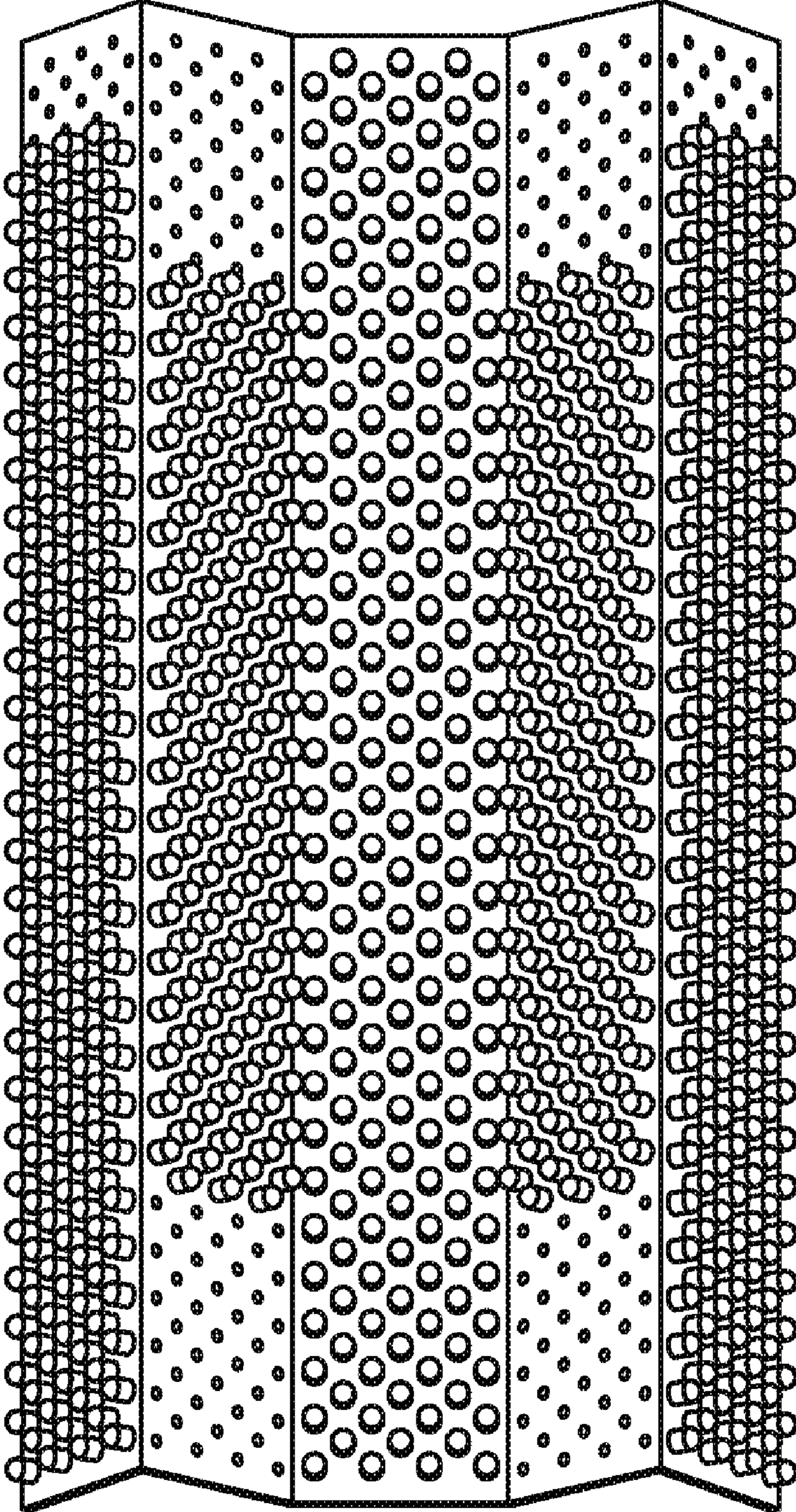


FIG. 11