



US00D629955S

(12) **United States Design Patent**  
**Compton**

(10) **Patent No.:** **US D629,955 S**  
(45) **Date of Patent:** **\*\* Dec. 28, 2010**

(54) **LIGHTING FIXTURE**

(75) Inventor: **Wayne W. Compton**, Chino Hills, CA  
(US)

(73) Assignee: **U.S. Pole Company, Inc.**, Palmdale, CA  
(US)

(\*\*) Term: **14 Years**

(21) Appl. No.: **29/361,038**

(22) Filed: **May 4, 2010**

**Related U.S. Application Data**

(62) Division of application No. 29/341,798, filed on Aug. 12, 2009, now Pat. No. Des. 617,034.

(51) **LOC (9) Cl.** ..... **26-03**

(52) **U.S. Cl.** ..... **D26/85**

(58) **Field of Classification Search** ..... D26/80,  
D26/85-88, 92, 118, 128; 362/147, 432  
See application file for complete search history.

(56) **References Cited**

**U.S. PATENT DOCUMENTS**

D82,518 S *	11/1930	Ohm	.....	D26/85
D113,501 S *	2/1939	Alm et al.	.....	D26/86
D160,809 S *	11/1950	Schear eet al.	.....	D26/85
D162,345 S *	3/1951	Roney	.....	D26/85
D324,742 S *	3/1992	von Kluck	.....	D26/85
D448,106 S *	9/2001	Lin	.....	D26/87

D550,390 S *	9/2007	Chandler	.....	D26/87
D552,783 S *	10/2007	Brunner	.....	D26/85
D568,526 S *	5/2008	Chandler	.....	D26/85
D606,701 S *	12/2009	Chandler	.....	D26/87

**OTHER PUBLICATIONS**

“Curve” wall sconce #WS9040-10-16M shown on p. 19 of the Alico Industries Inc. Catalog. © 2008 (2 pages).\*

\* cited by examiner

*Primary Examiner*—Clare E Heflin

(74) *Attorney, Agent, or Firm*—Christie, Parker & Hale, LLP

(57) **CLAIM**

The ornamental design for lighting fixture, as shown and described.

**DESCRIPTION**

FIG. 1 is a perspective view of a lighting fixture according to the present invention;

FIG. 2 is a left side view of the embodiment of FIG. 1;

FIG. 3 is a front view of the embodiment of FIG. 1;

FIG. 4 is a top view of the embodiment of FIG. 1;

FIG. 5 is a bottom view of the embodiment of FIG. 1; and,

FIG. 6 is a rear view of the embodiment of FIG. 1.

The broken lines shown on the drawings depict portions of the light fixture that form no part of the claimed design.

**1 Claim, 6 Drawing Sheets**

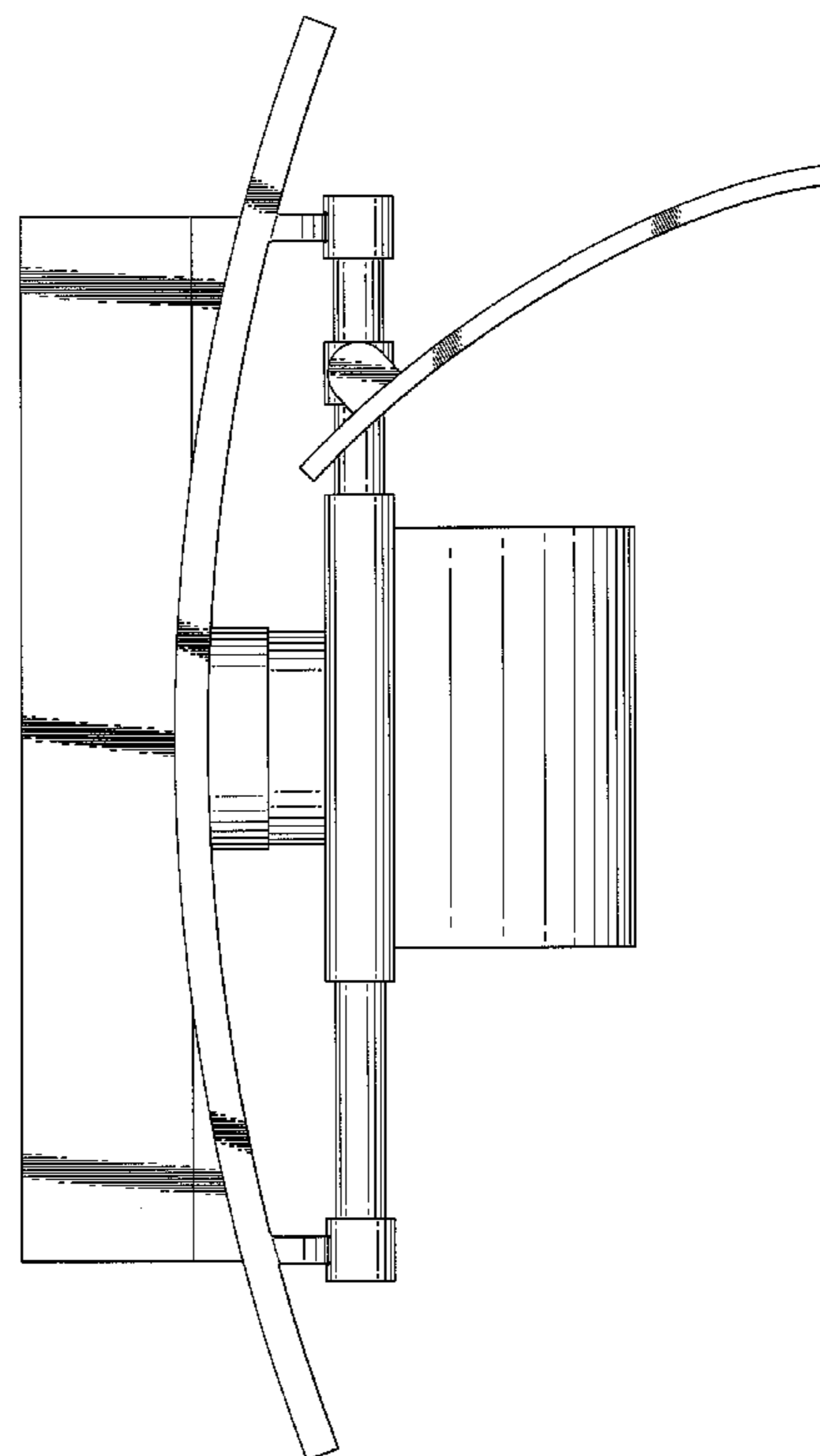
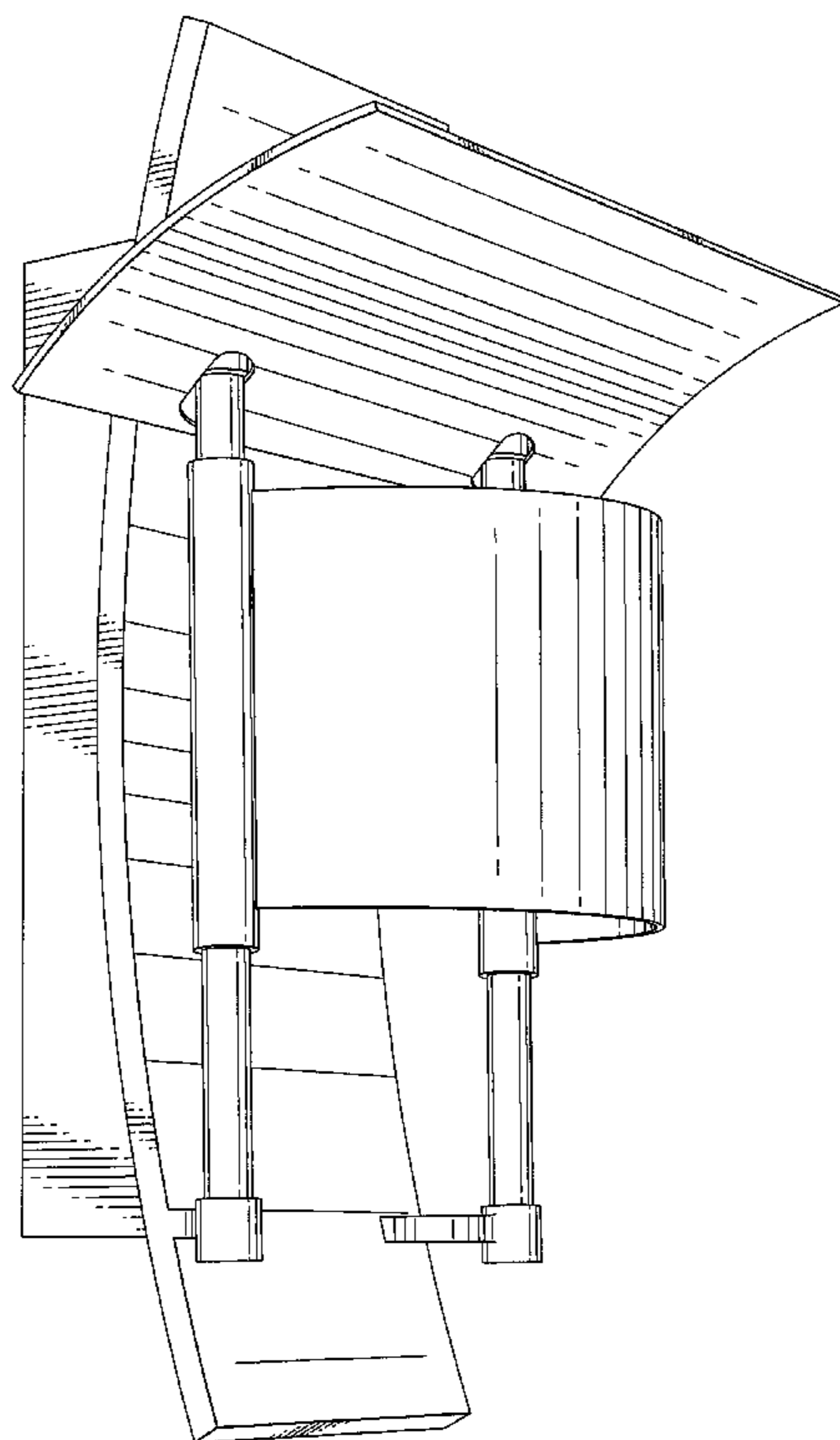


FIG. 1

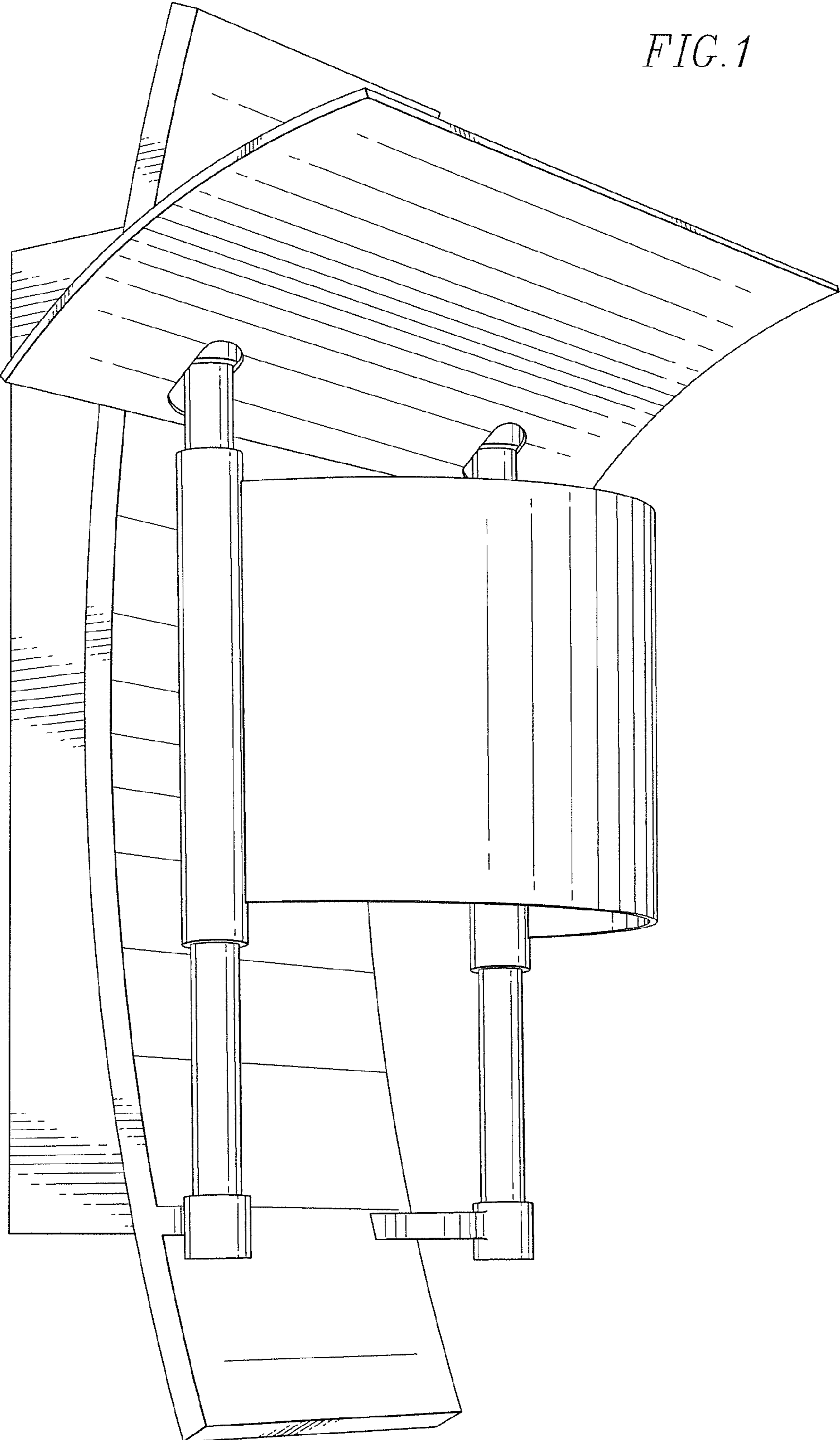


FIG. 2

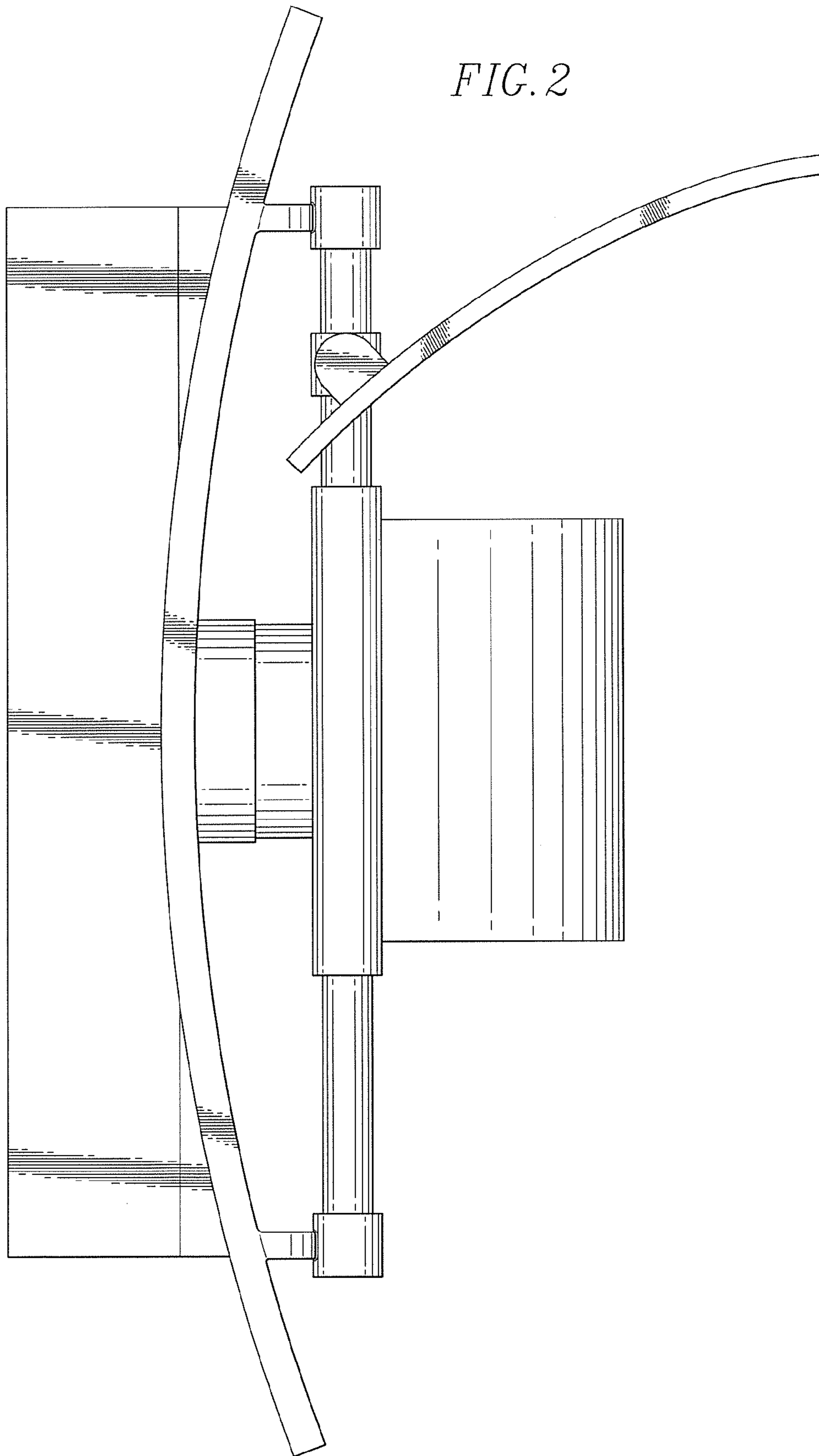


FIG. 3

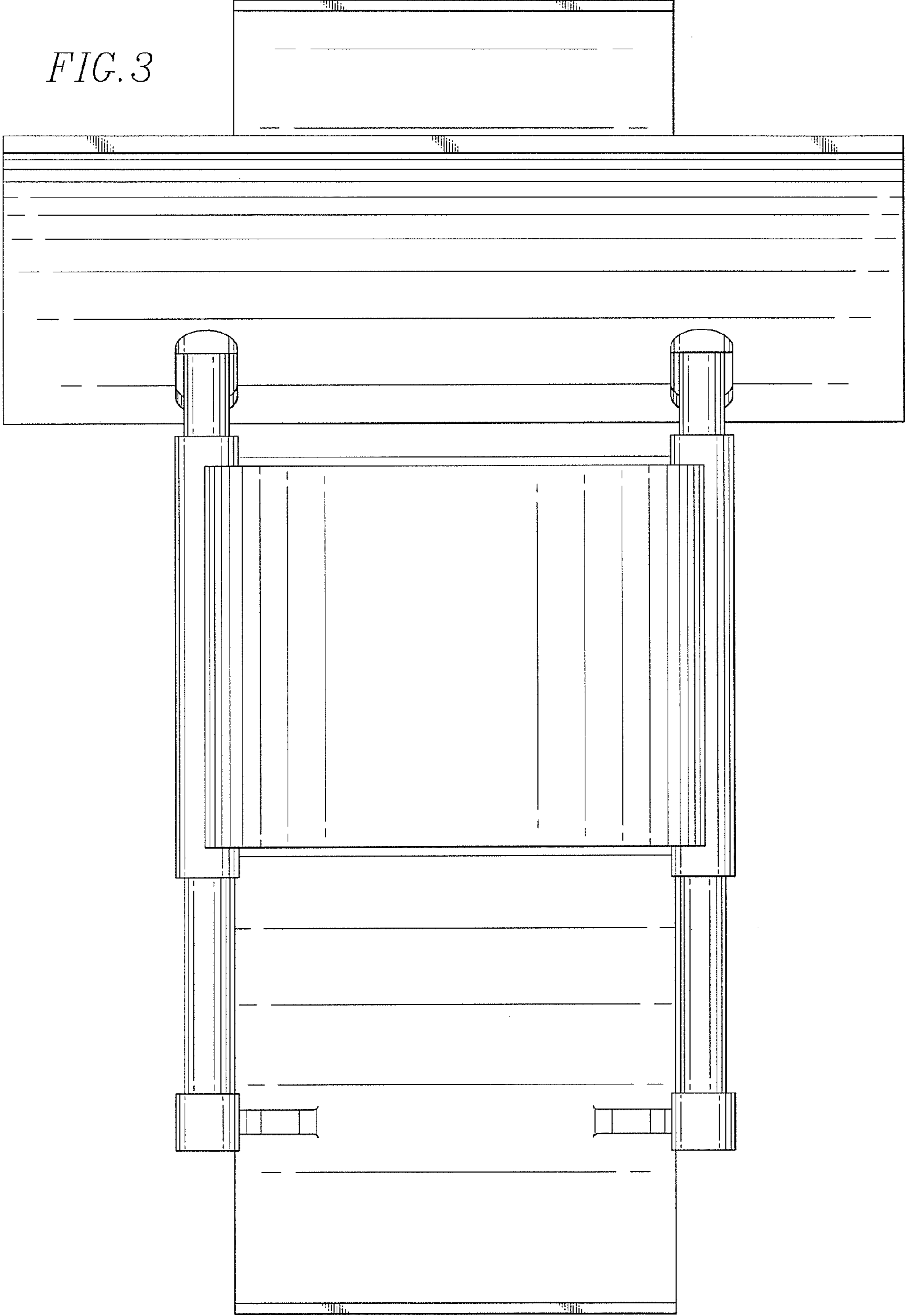


FIG. 4

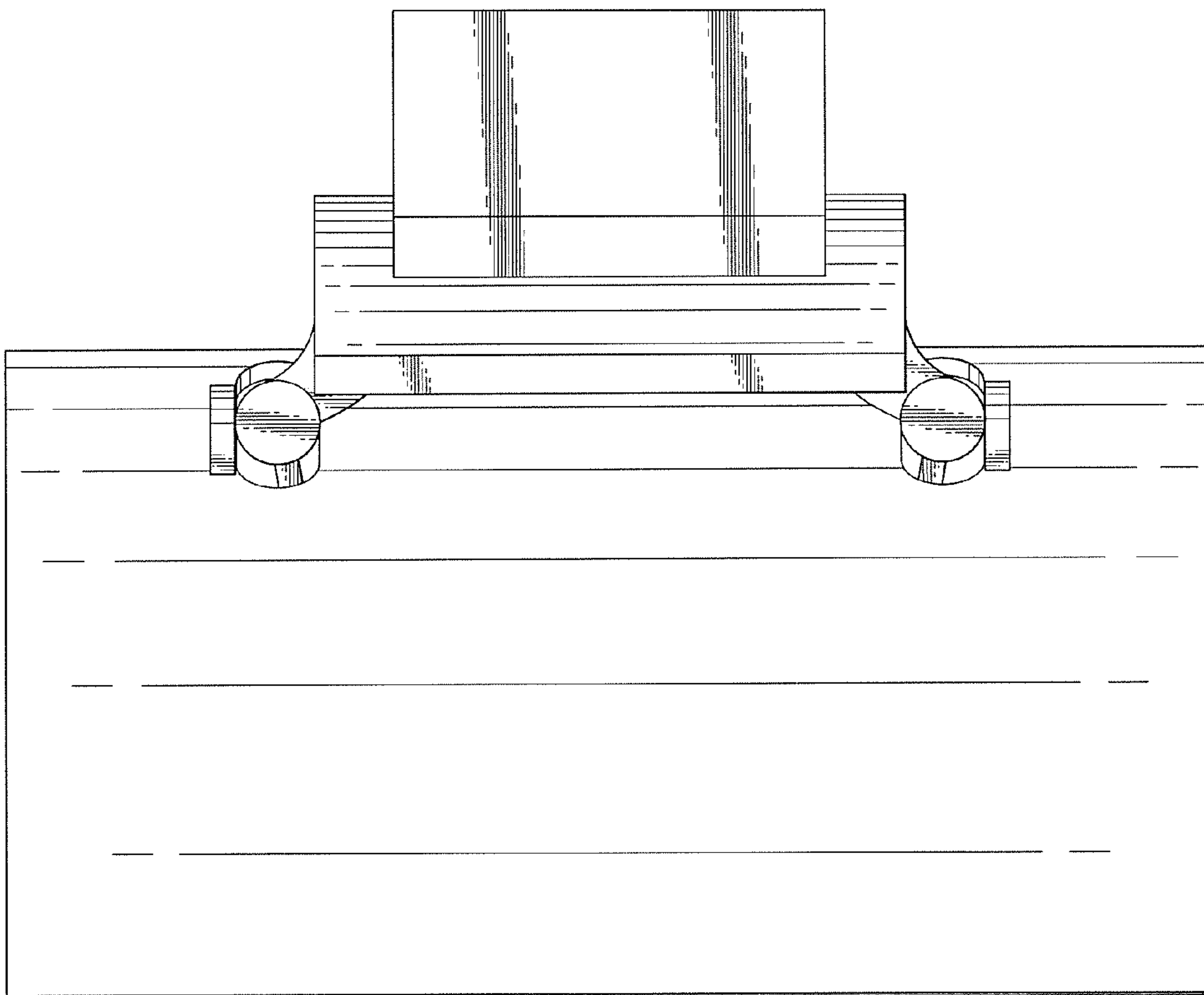


FIG. 5

