



US00D629953S

(12) **United States Design Patent**  
**Laporte**

(10) **Patent No.:** **US D629,953 S**  
(45) **Date of Patent:** **\*\* Dec. 28, 2010**

(54) **LUMINAIRE**

(75) Inventor: **Jean-Francois Laporte, Laval (CA)**

(73) Assignee: **Lumec, Inc., Boisbriand (CA)**

(\*\*) Term: **14 Years**

(21) Appl. No.: **29/353,770**

(22) Filed: **Jan. 14, 2010**

**Related U.S. Application Data**

(63) Continuation of application No. 29/306,996, filed on Apr. 21, 2008, now Pat. No. Des. 609,381.

(51) **LOC (9) Cl.** ..... **26-05**

(52) **U.S. Cl.** ..... **D26/71**

(58) **Field of Classification Search** ..... D26/67-72,  
D26/85, 92; 362/145, 152, 183, 294, 373,  
362/414, 431, 545

See application file for complete search history.

(56) **References Cited**

**U.S. PATENT DOCUMENTS**

2,916,609 A \* 12/1959 Freier et al. .... 362/374  
D195,310 S \* 5/1963 Zagel ..... D26/70  
D195,583 S \* 7/1963 Phillips ..... D26/71

D201,764 S \* 7/1965 Mox ..... D26/71  
D201,765 S \* 7/1965 Mox ..... D26/71  
D204,558 S \* 4/1966 Zeitz ..... D26/71  
D228,667 S \* 10/1973 Anderson, Jr. .... D26/71  
D465,593 S \* 11/2002 Chang ..... D26/72  
D527,134 S \* 8/2006 Bagen ..... D26/71  
D566,876 S \* 4/2008 Allen et al. .... D26/85  
D579,141 S \* 10/2008 Guercio ..... D26/92  
D598,156 S \* 8/2009 Xiao et al. .... D26/69  
D599,049 S \* 8/2009 Guercio ..... D26/69

\* cited by examiner

*Primary Examiner*—Clare E Heflin

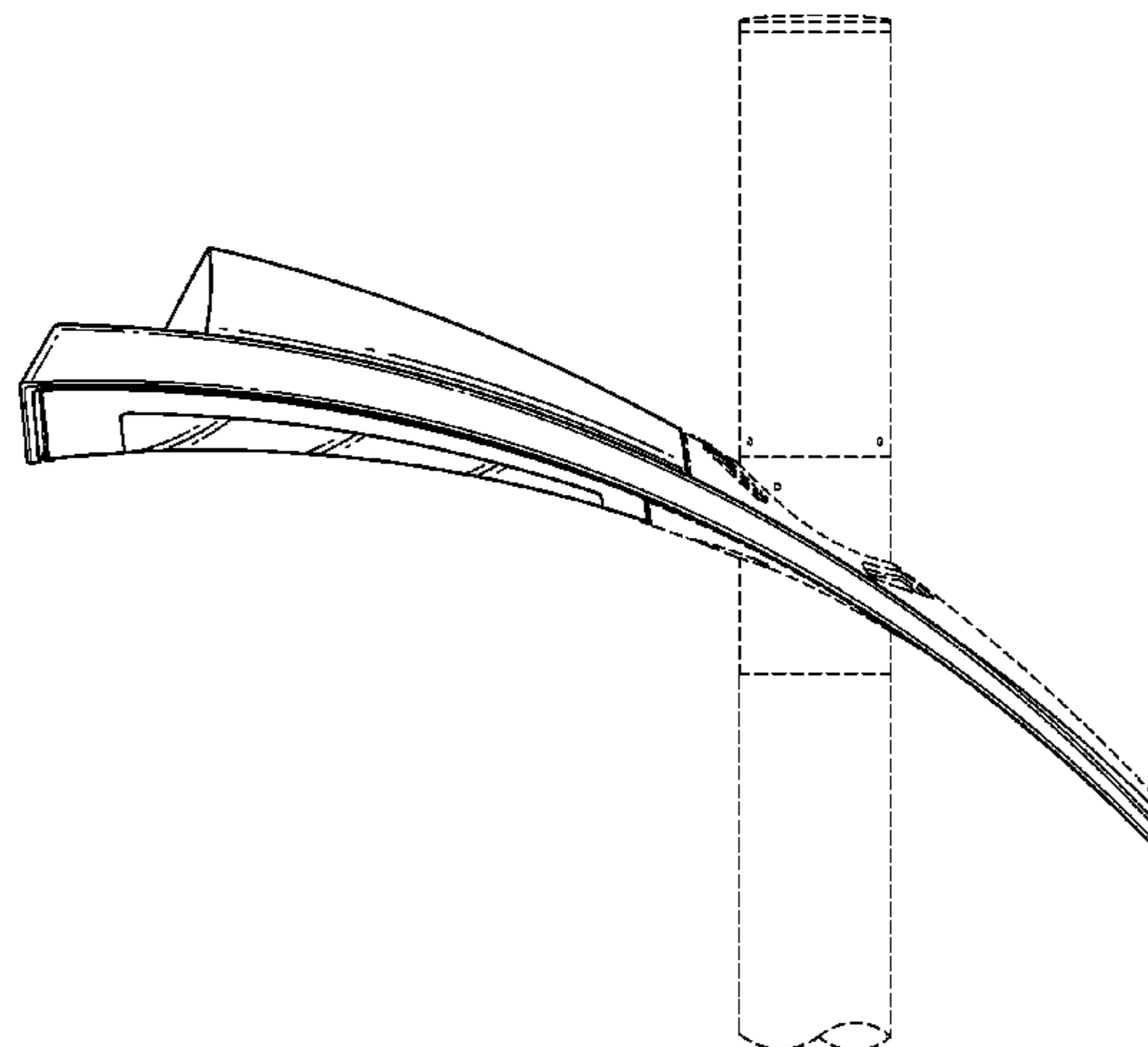
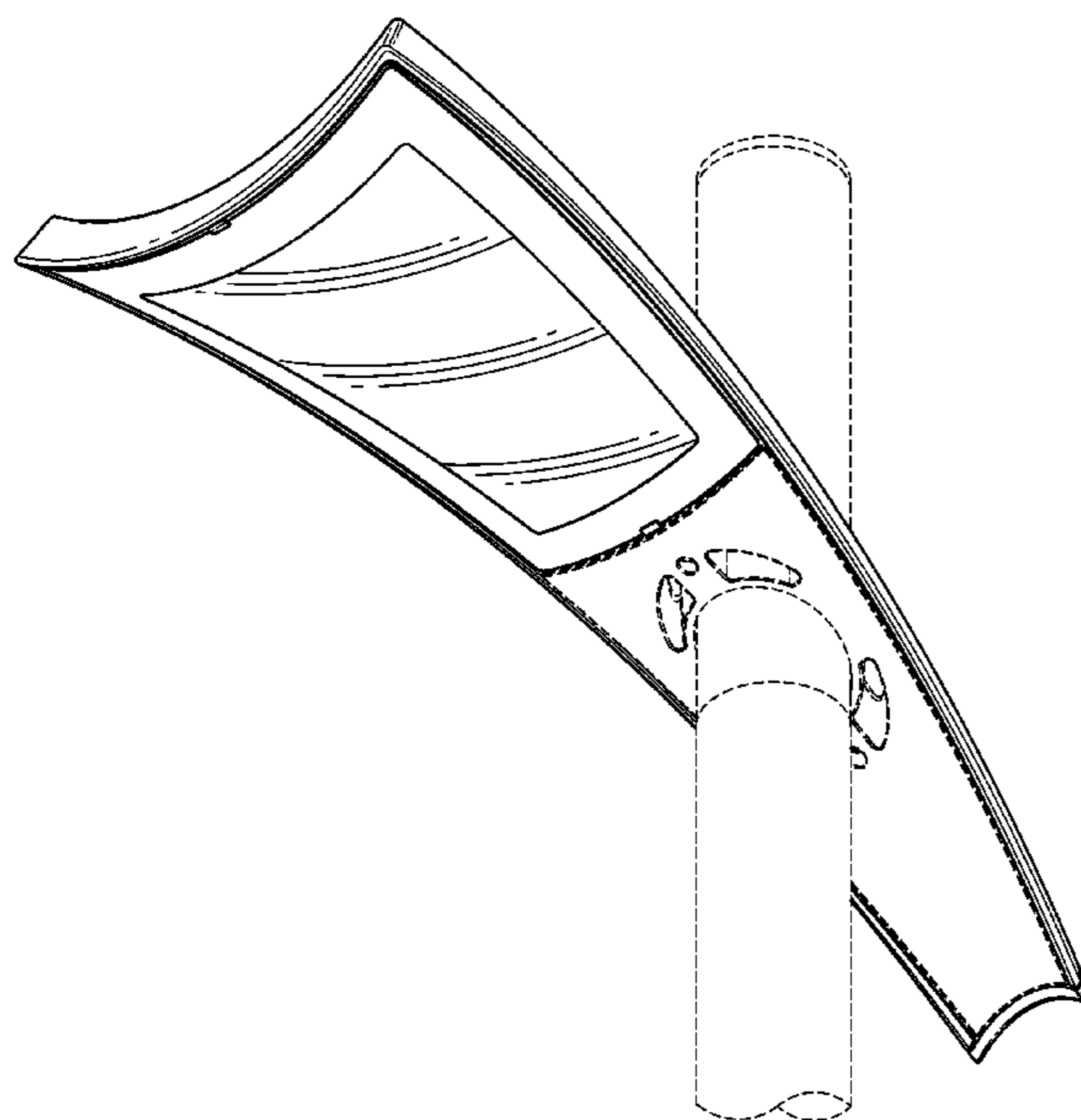
(57) **CLAIM**

The ornamental design for a luminaire, as shown.

**DESCRIPTION**

FIG. 1 is a perspective view showing my design;  
FIG. 2 is a front elevational view thereof;  
FIG. 3 is a rear elevational view thereof;  
FIG. 4 is a right side elevational view thereof;  
FIG. 5 is a left side elevational view thereof;  
FIG. 6 is a top plan view thereof; and,  
FIG. 7 is a bottom plan view thereof.

**1 Claim, 6 Drawing Sheets**



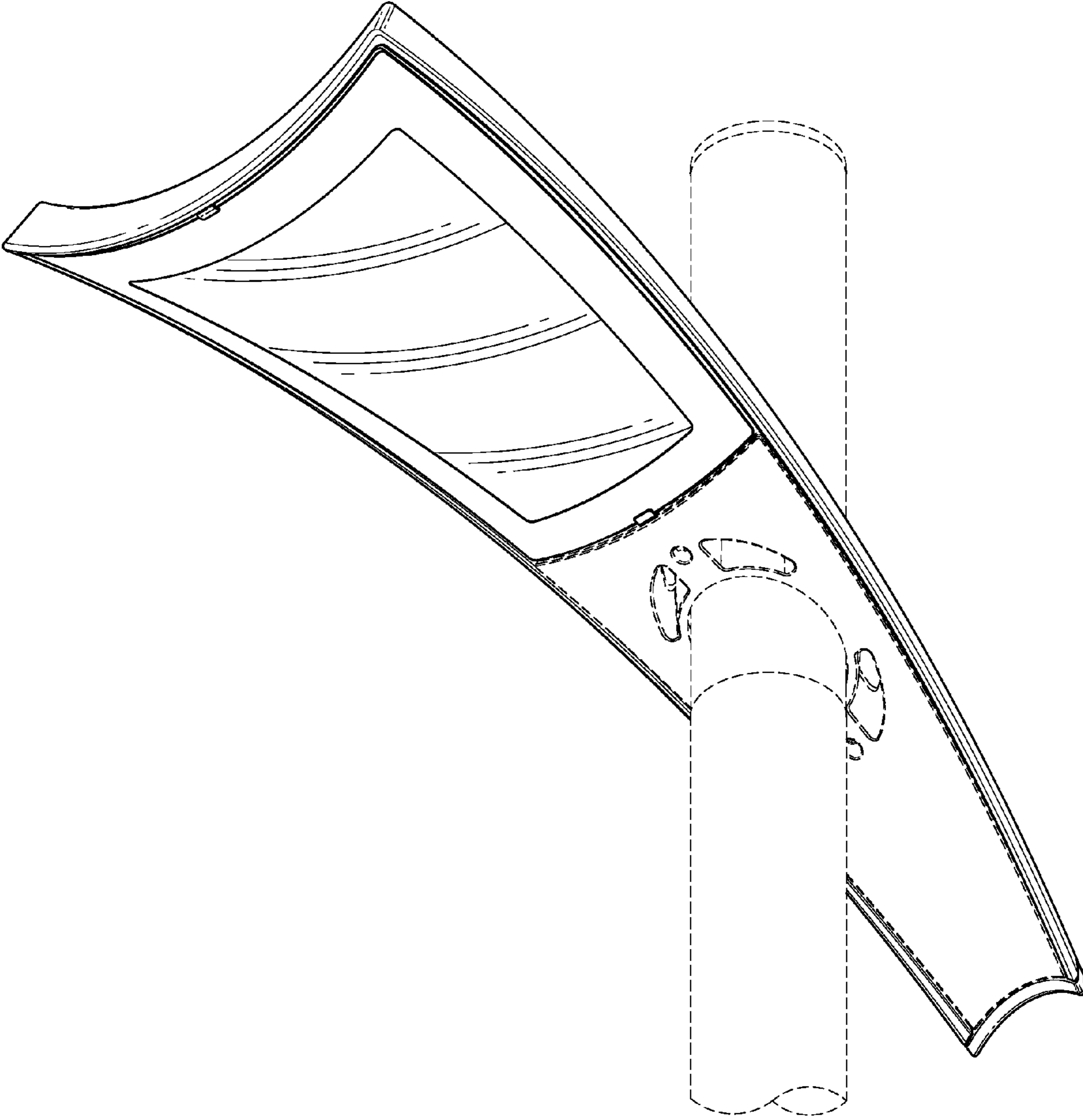


FIG. 1

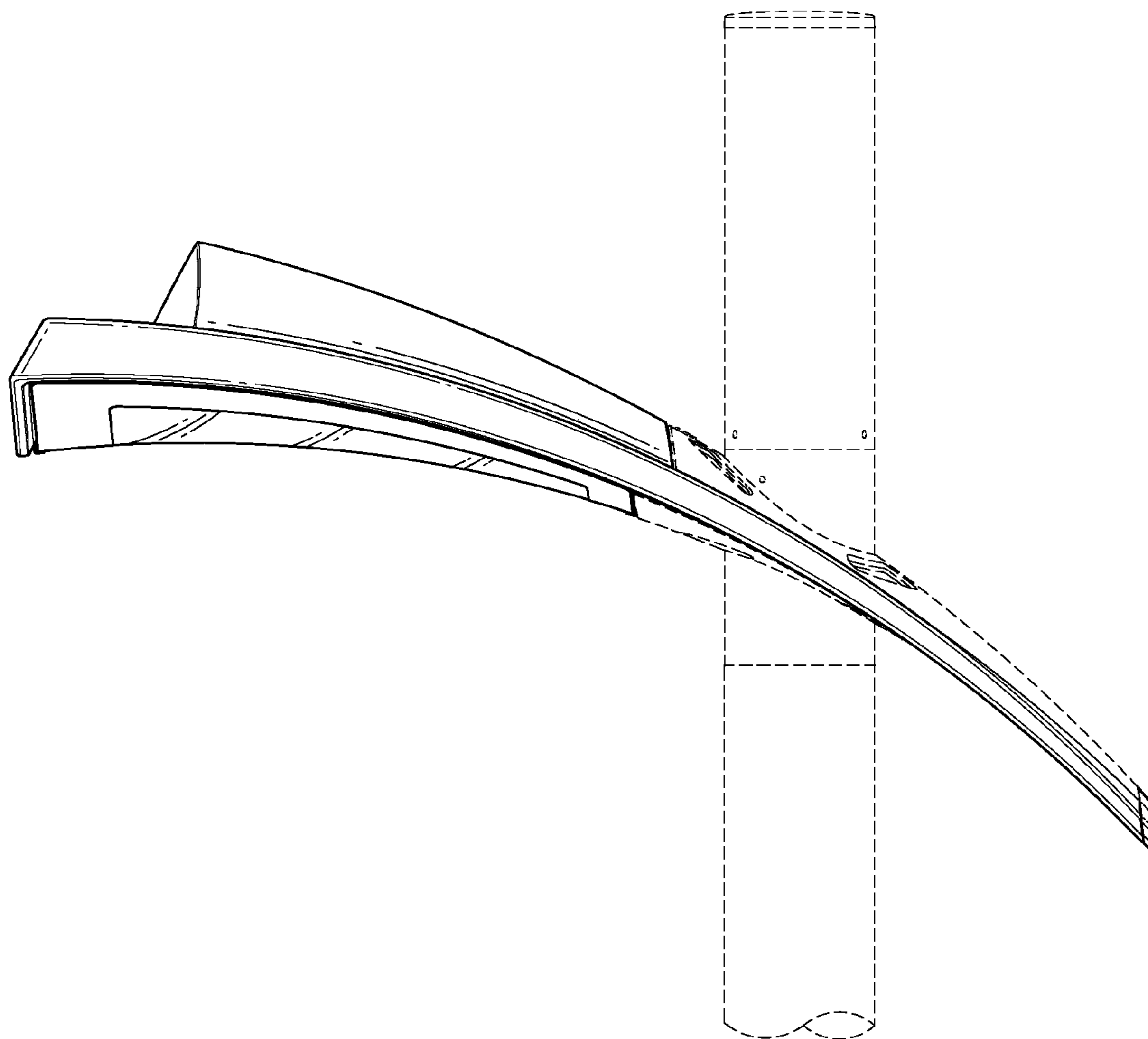


FIG. 2

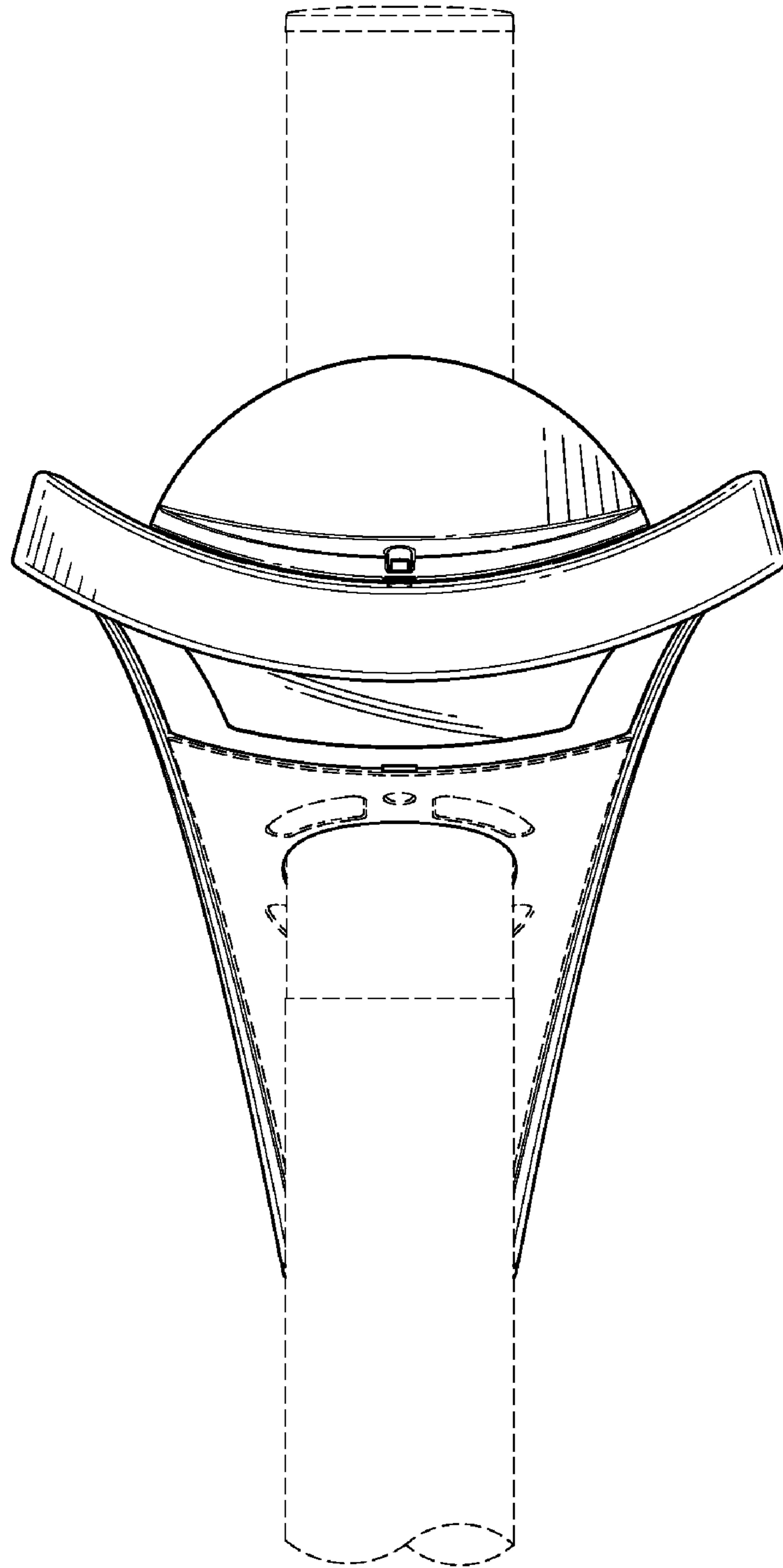


FIG. 3

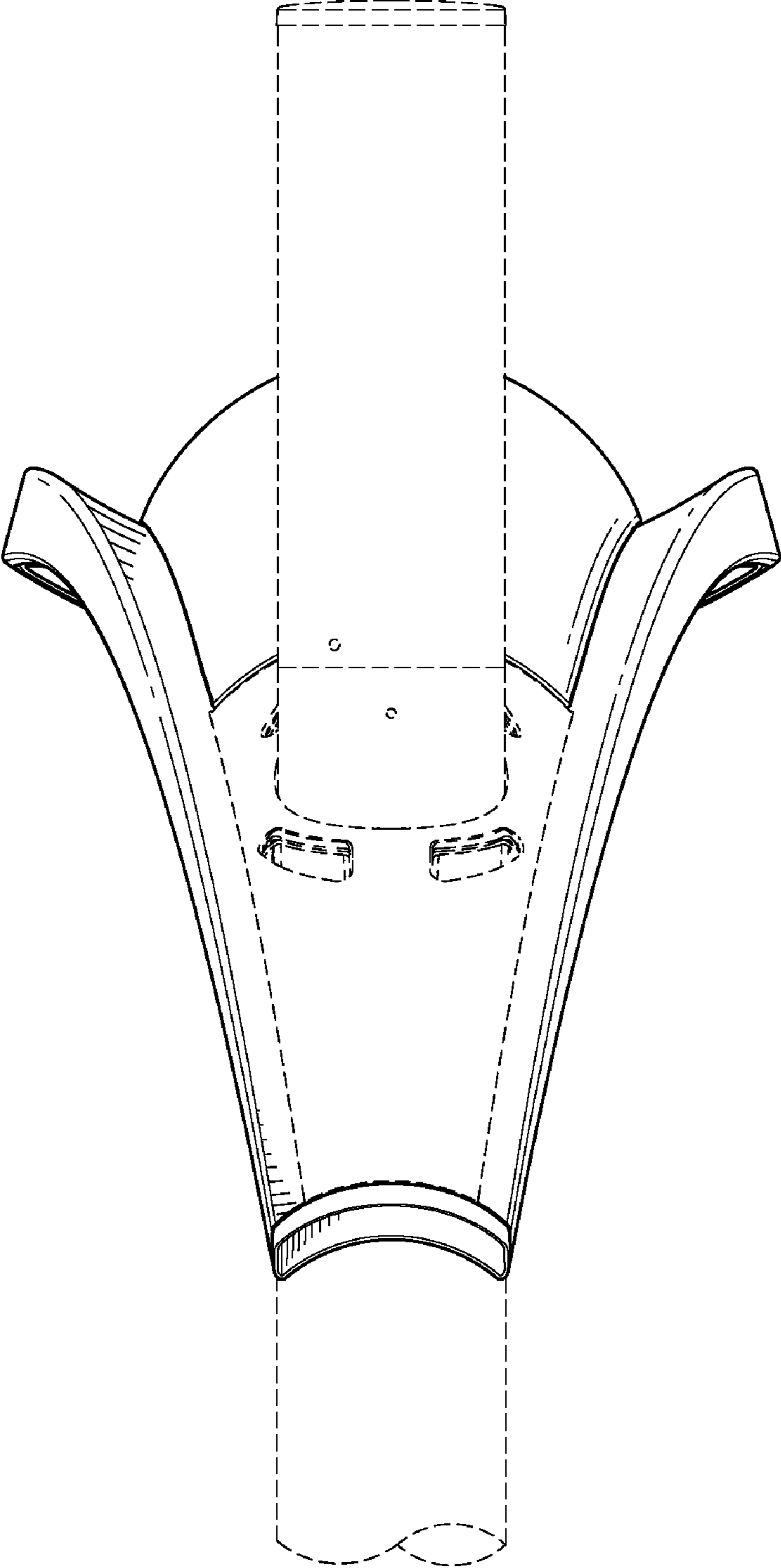


FIG. 4

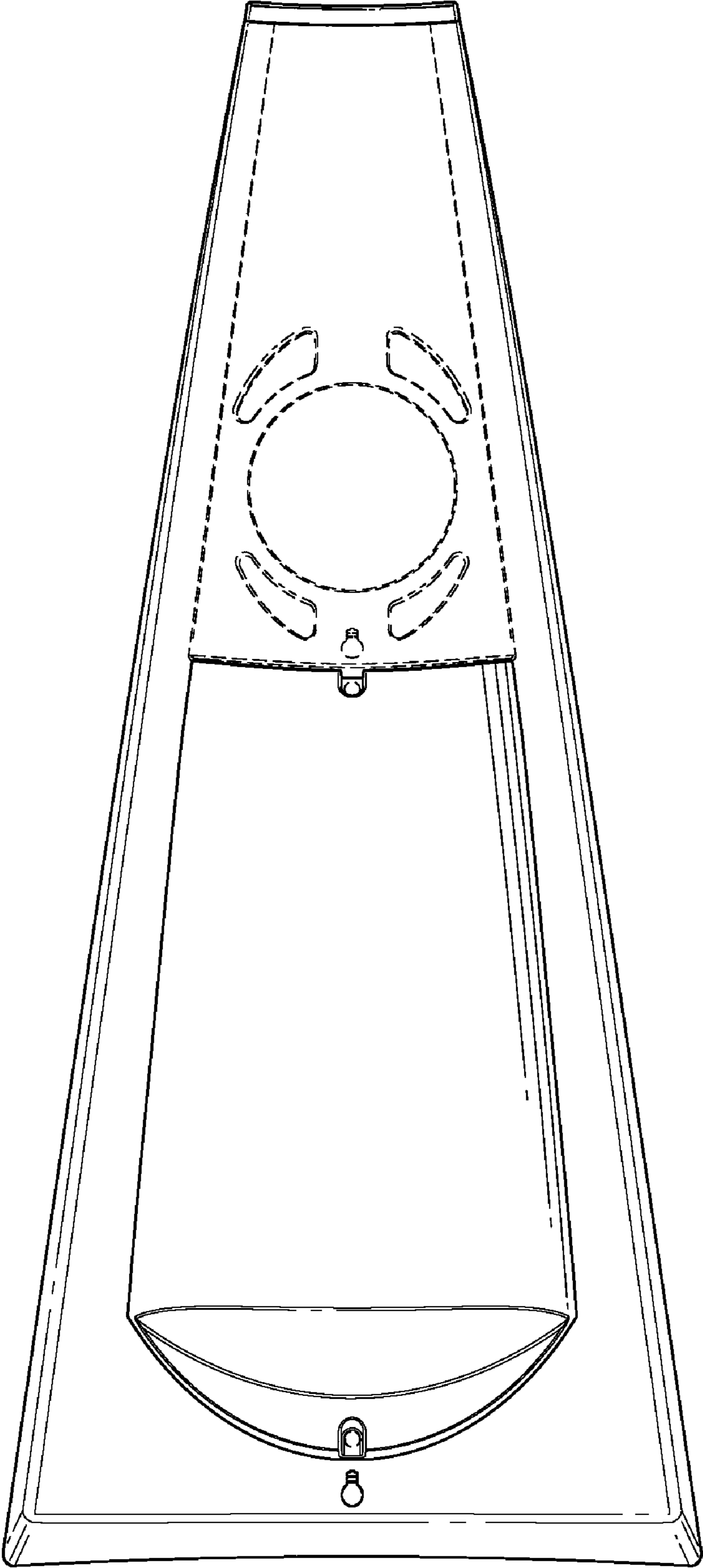


FIG. 5



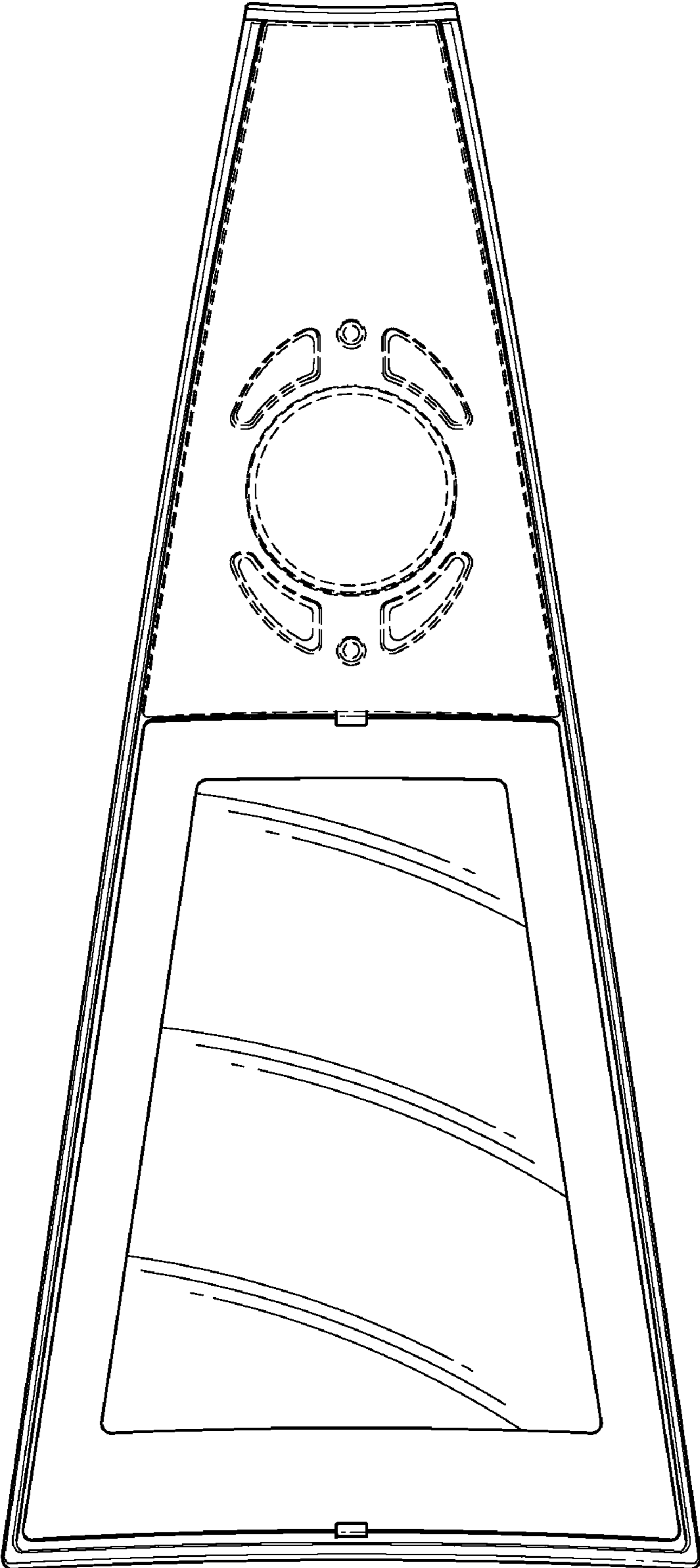


FIG. 6