



US00D629952S

(12) **United States Design Patent**
Sooferian

(10) **Patent No.:** **US D629,952 S**

(45) **Date of Patent:** **** Dec. 28, 2010**

(54) **SOLAR LIGHT**

(76) Inventor: **Danny H. Sooferian**, 451-E Constitution Ave., Camarillo, CA (US) 93012

(**) Term: **14 Years**

(21) Appl. No.: **29/349,843**

(22) Filed: **May 8, 2010**

(51) **LOC (9) Cl.** **26-05**

(52) **U.S. Cl.** **D26/68**

(58) **Field of Classification Search** D26/67-71,
D26/73, 85, 101, 125, 128; 362/147, 152,
362/153, 153.1, 183, 185, 431, 653

See application file for complete search history.

(56) **References Cited**

U.S. PATENT DOCUMENTS

| | | | | |
|--------------|---------|---------------|-------|--------|
| D100,811 S * | 8/1936 | Bick | | D26/67 |
| D191,534 S * | 10/1961 | Curtin et al. | | D26/67 |
| D195,990 S * | 8/1963 | Pettengill | | D26/67 |
| D213,393 S * | 2/1969 | Clark et al. | | D26/67 |
| D238,961 S * | 2/1976 | Friberg | | D26/67 |
| D302,328 S * | 7/1989 | Fretz | | D26/67 |
| D382,662 S * | 8/1997 | Shalvi | | D26/68 |
| D453,388 S * | 2/2002 | Leen | | D26/67 |
| D456,547 S * | 4/2002 | Leen | | D26/67 |

| | | | | |
|--------------|---------|-----------|-------|--------|
| D464,456 S * | 10/2002 | Chang | | D26/67 |
| D520,169 S * | 5/2006 | Harbaugh | | D26/68 |
| D529,218 S * | 9/2006 | Wen | | D26/68 |
| D541,968 S * | 5/2007 | Tortel | | D26/67 |
| D556,932 S * | 12/2007 | Sooferian | | D26/68 |
| D615,687 S * | 5/2010 | Chen | | D26/68 |

* cited by examiner

Primary Examiner—Clare E Heflin

(74) *Attorney, Agent, or Firm*—Colin P Abrahams

(57) **CLAIM**

The ornamental design for a solar light, as shown and described.

DESCRIPTION

FIG. 1 is a perspective view of a solar light showing my new design;

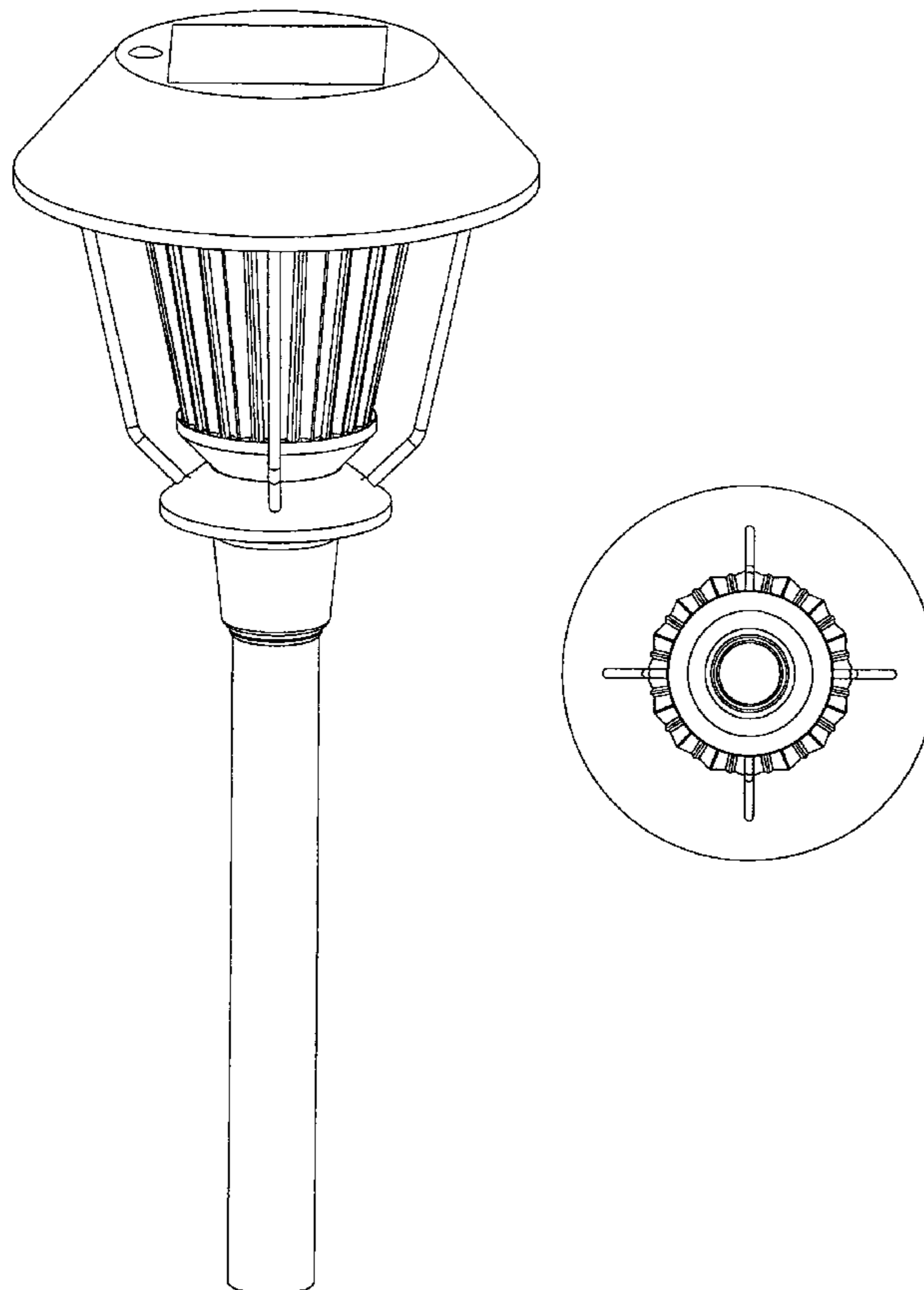
FIG. 2 is a front view of the solar light, the rear view being a mirror image;

FIG. 3 is a right side view of the solar light, the left side being identical;

FIG. 4 is a top view of the solar light; and,

FIG. 5 is a bottom view of the solar light.

1 Claim, 2 Drawing Sheets



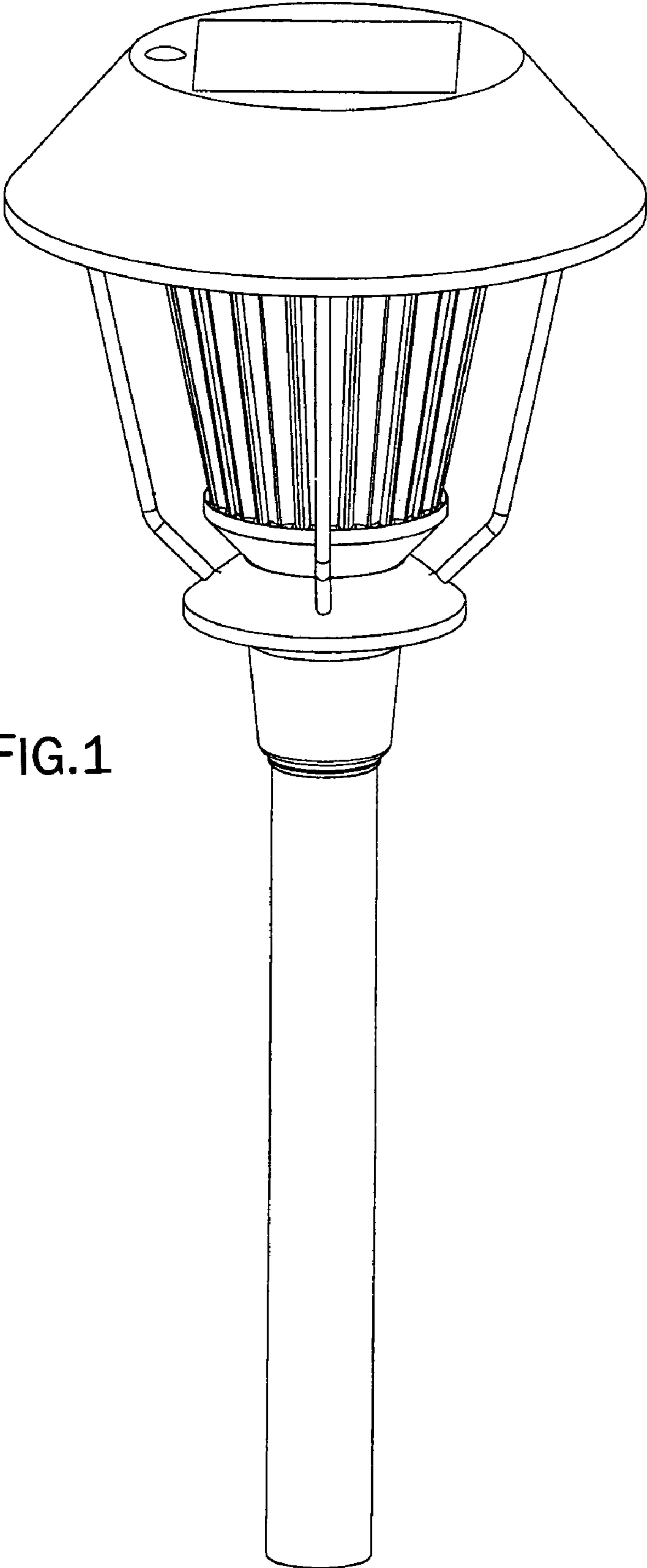


FIG.1

