



US00D629951S

(12) **United States Design Patent**
Sooferian

(10) **Patent No.:** **US D629,951 S**
(45) **Date of Patent:** **** Dec. 28, 2010**

(54) **SOLAR LIGHT**

(76) Inventor: **Danny H. Sooferian**, 451-E Constitution Ave., Camarillo, CA (US) 93012

(**) Term: **14 Years**

(21) Appl. No.: **29/349,029**

(22) Filed: **Mar. 1, 2010**

(51) **LOC (9) Cl.** **26-05**

(52) **U.S. Cl.** **D26/68**

(58) **Field of Classification Search** D26/67-71,
D26/73, 85, 101, 125, 128; 362/147, 152,
362/153, 153.1, 183, 185, 431, 653
See application file for complete search history.

(56) **References Cited**

U.S. PATENT DOCUMENTS

D191,534 S *	10/1961	Curtin et al.	D26/67
D195,990 S *	8/1963	Pettengill	D26/67
D213,393 S *	2/1969	Clark et al.	D26/67
D302,328 S *	7/1989	Fretz	D26/67
D302,329 S *	7/1989	Fretz et al.	D26/67
D456,547 S *	4/2002	Leen	D26/67
D518,219 S *	3/2006	Bucher et al.	D26/67
D520,169 S *	5/2006	Harbaugh	D26/68
D520,171 S *	5/2006	Harbaugh	D26/68
D529,218 S *	9/2006	Wen	D26/68
D605,804 S *	12/2009	Chen	D26/67

* cited by examiner

Primary Examiner—Clare E Heflin
(74) *Attorney, Agent, or Firm*—Colin P. Abrahams

(57) **CLAIM**

The ornamental design for a solar light, as shown.

DESCRIPTION

FIG. 1 is a perspective view of a first embodiment of a solar light of my new design;

FIG. 2 is a left side view of the solar light shown in FIG. 1 of the drawings;

FIG. 3 is a front view of the solar light shown in FIG. 1 of the drawings;

FIG. 4 is a top view of the solar light shown in FIG. 1 of the drawings;

FIG. 5 is a bottom view of the solar light shown in FIG. 1 of the drawings;

FIG. 6 is a perspective view of a second embodiment of a solar light of my new design;

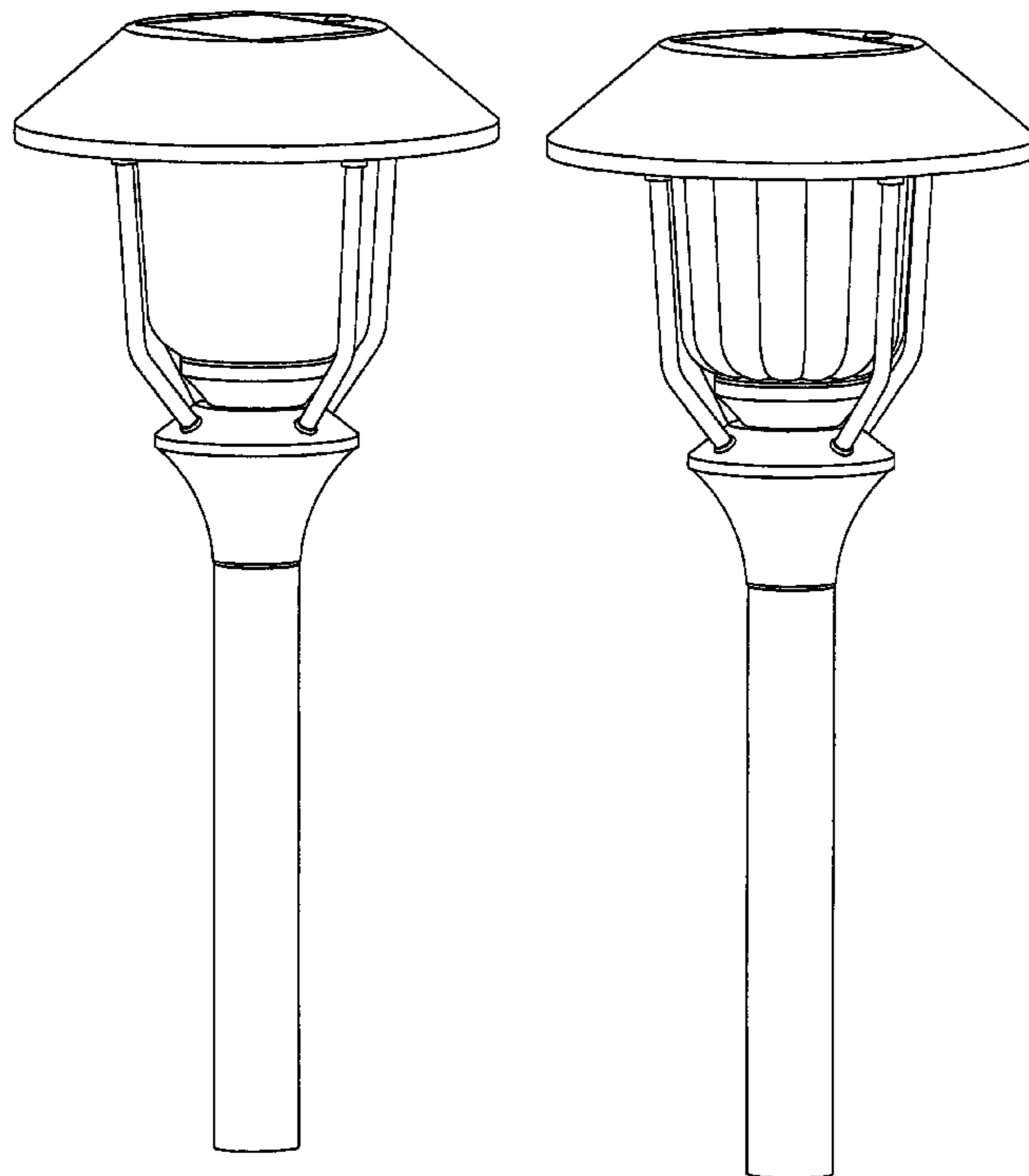
FIG. 7 is a left side view of the solar light shown in FIG. 6 of the drawings;

FIG. 8 is a front view of the solar light shown in FIG. 6 of the drawings;

FIG. 9 is a top view of the solar light shown in FIG. 6 of the drawings; and,

FIG. 10 is a bottom view of the solar light shown in FIG. 6 of the drawings.

1 Claim, 4 Drawing Sheets



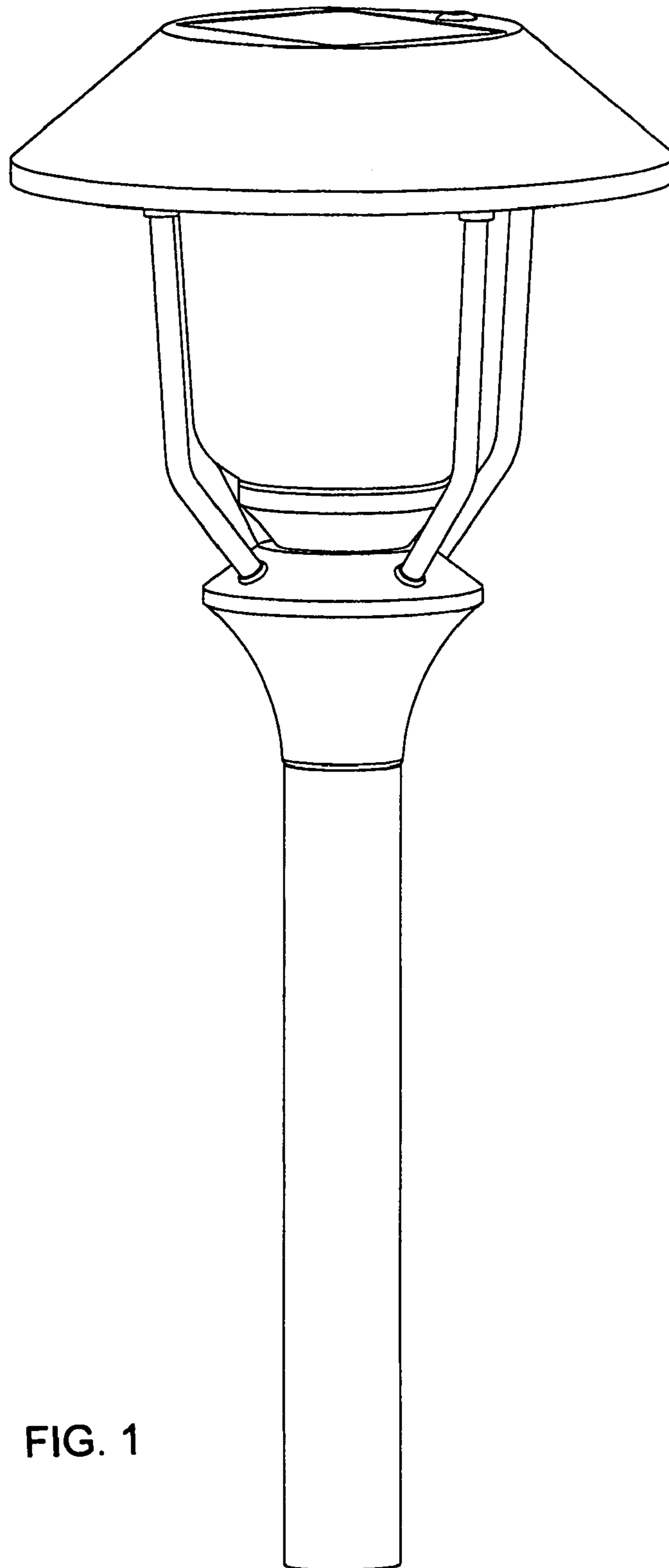


FIG. 1

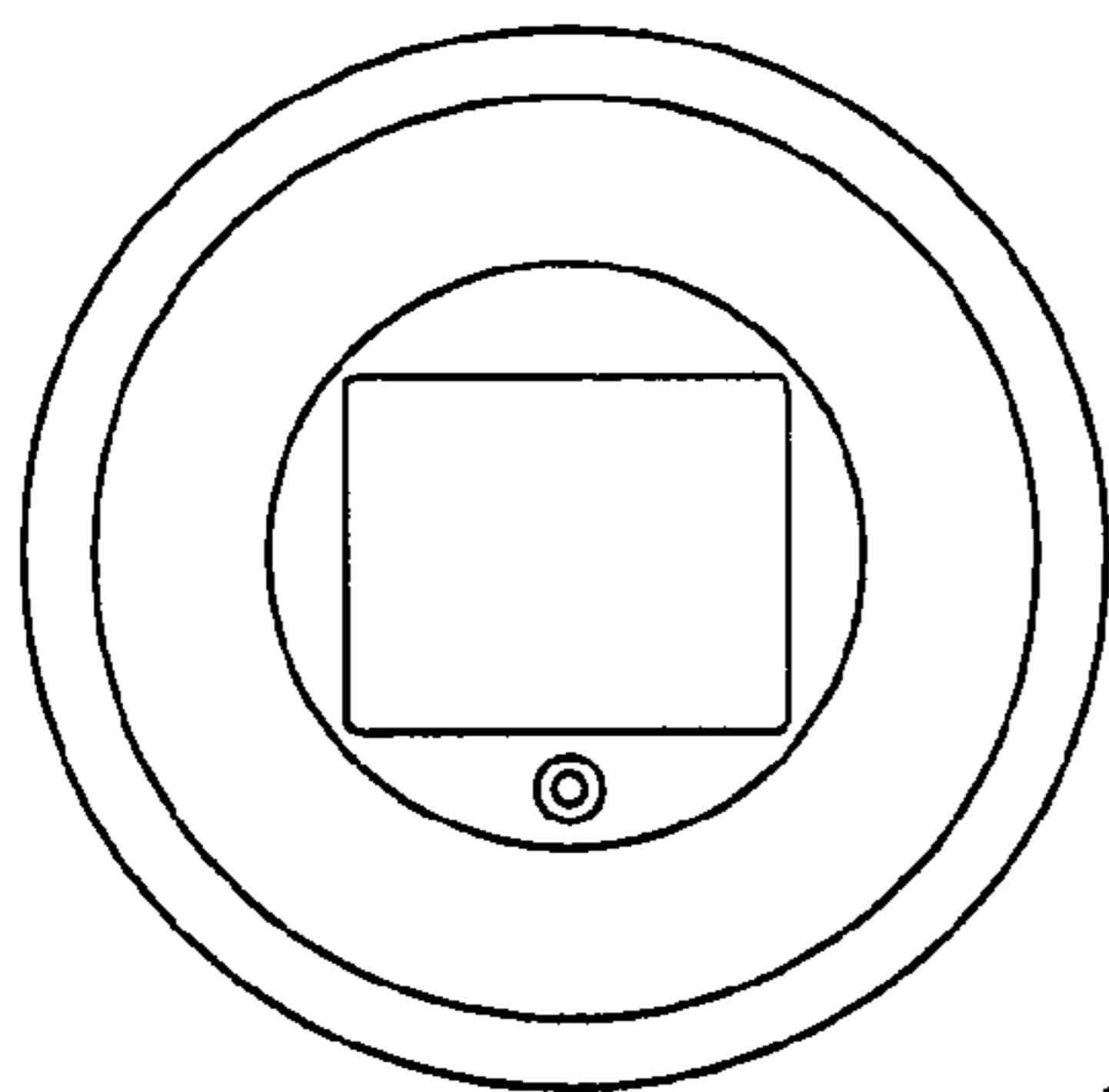


FIG. 4

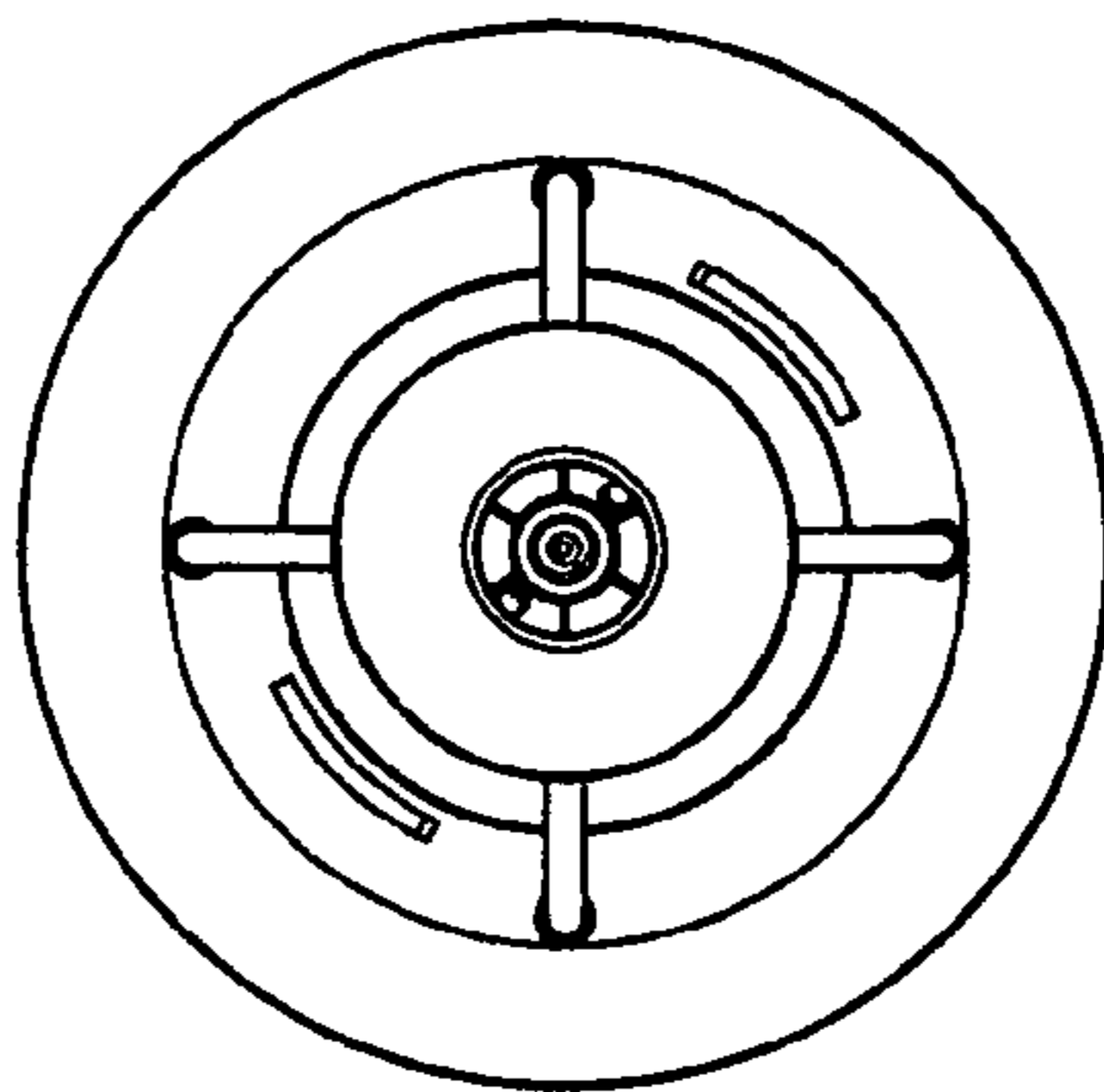


FIG. 5

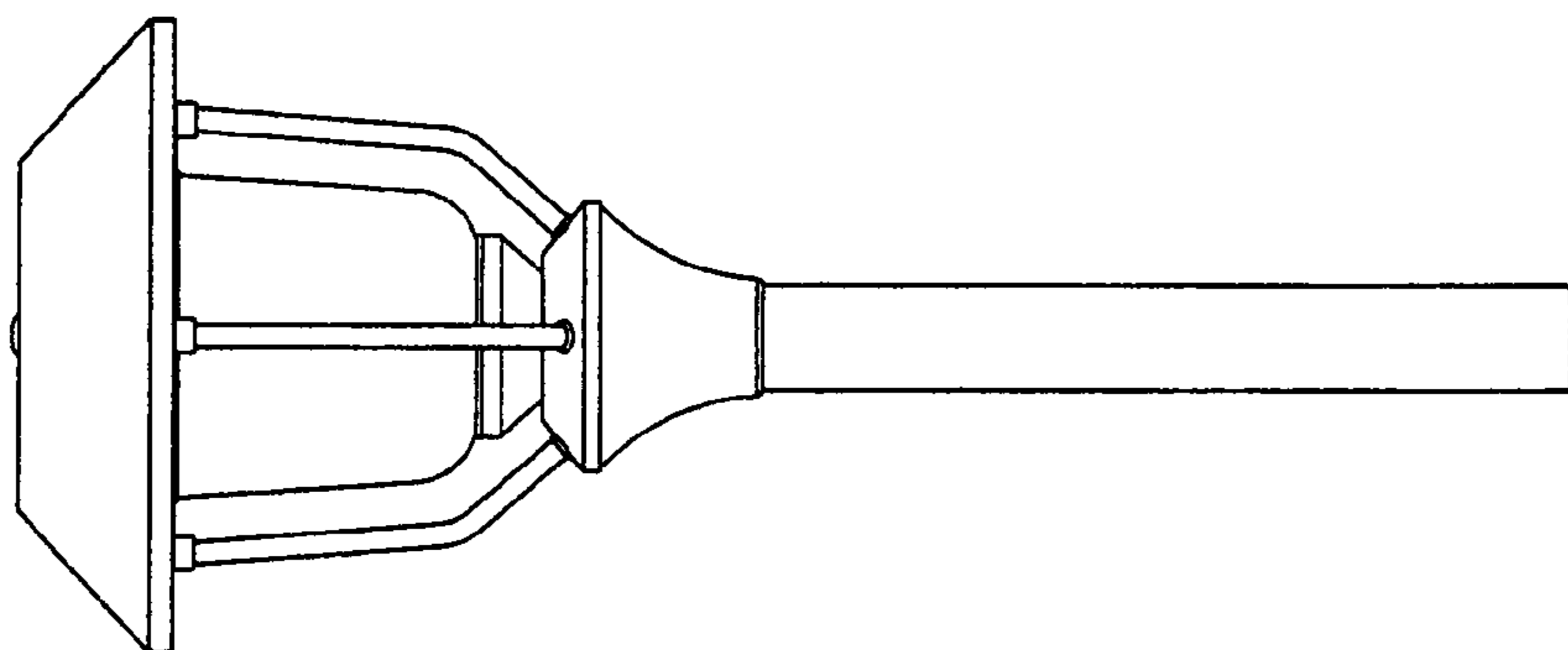


FIG. 3

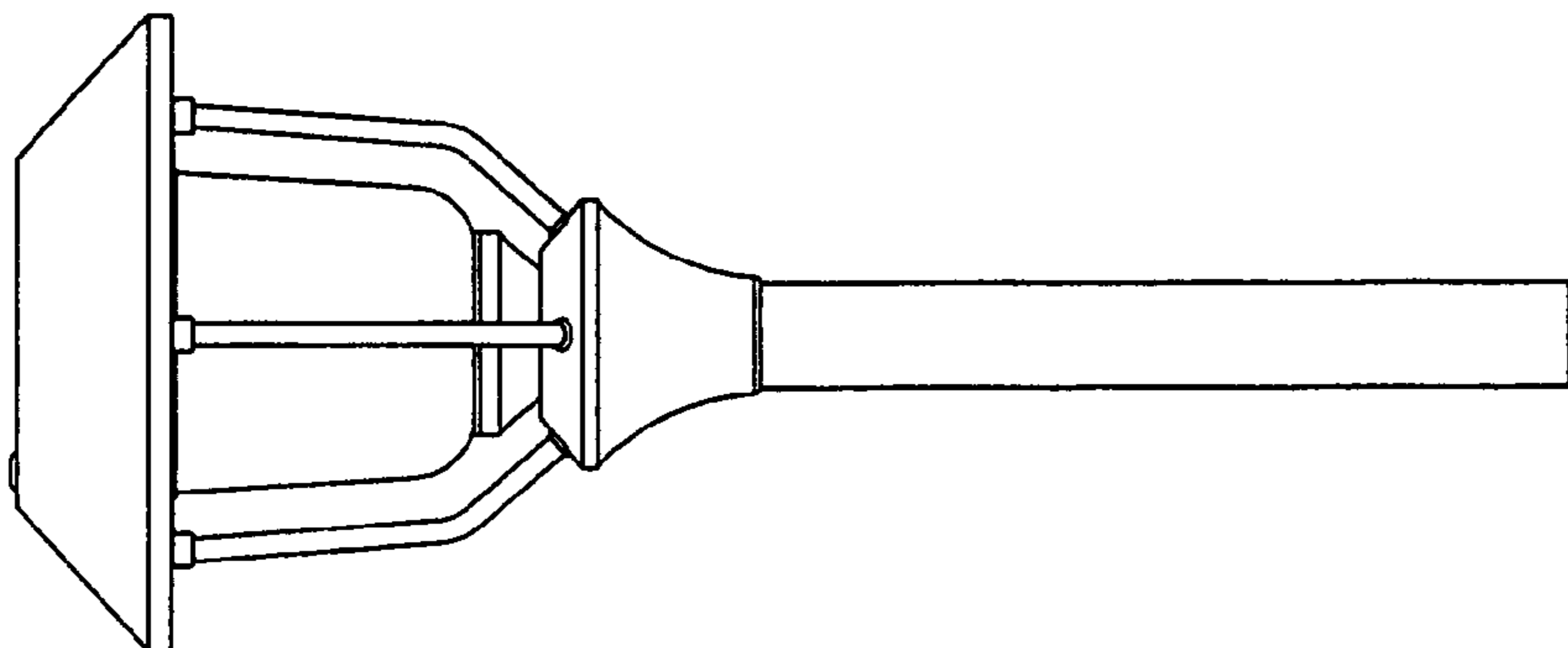


FIG. 2

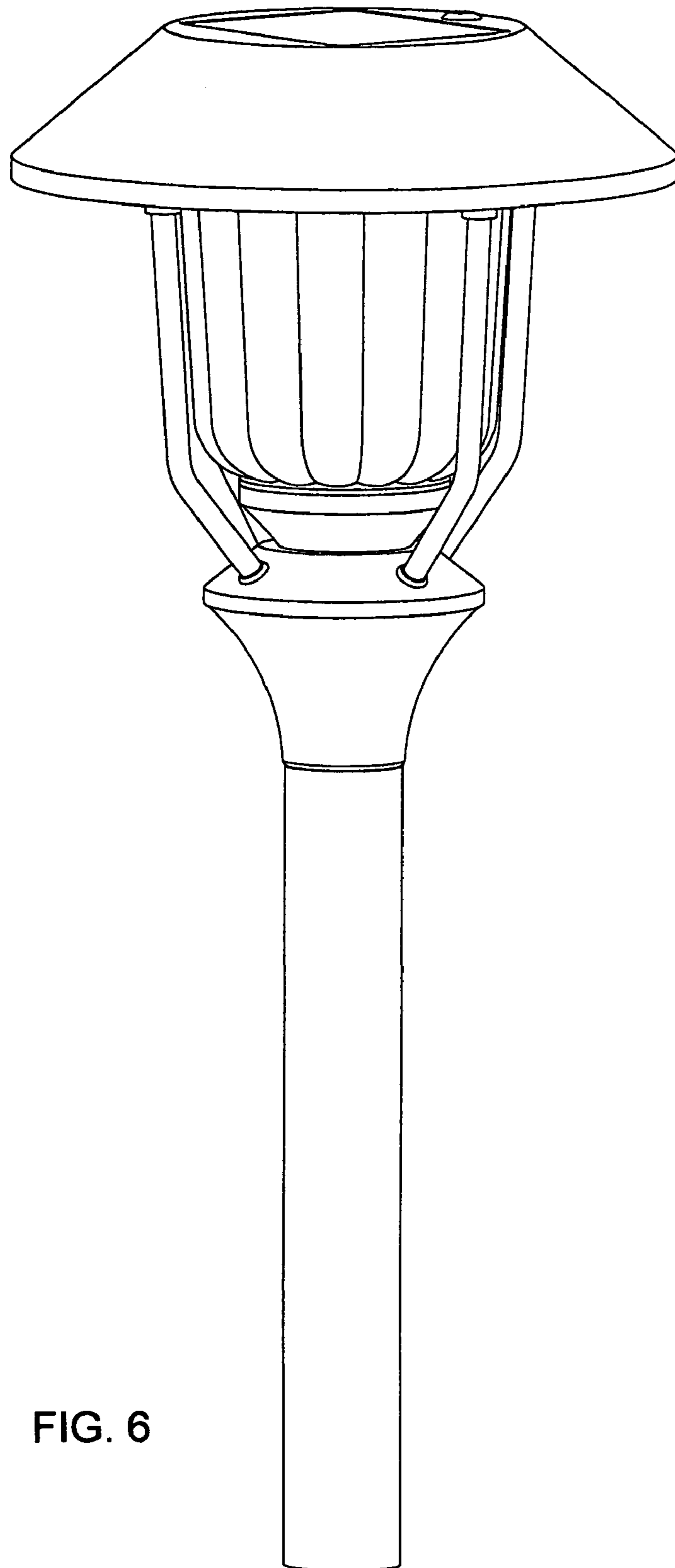


FIG. 6

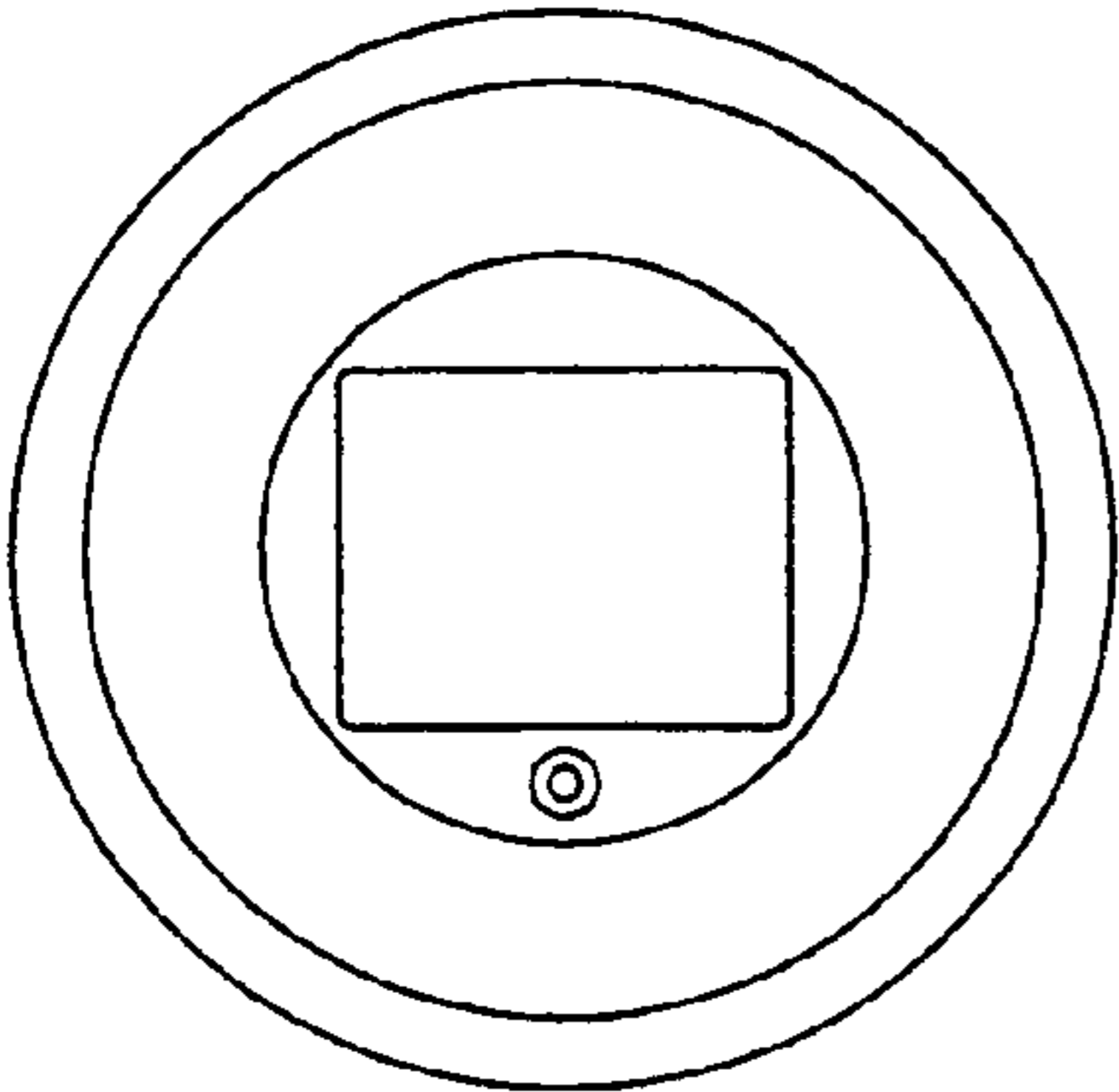


FIG. 9

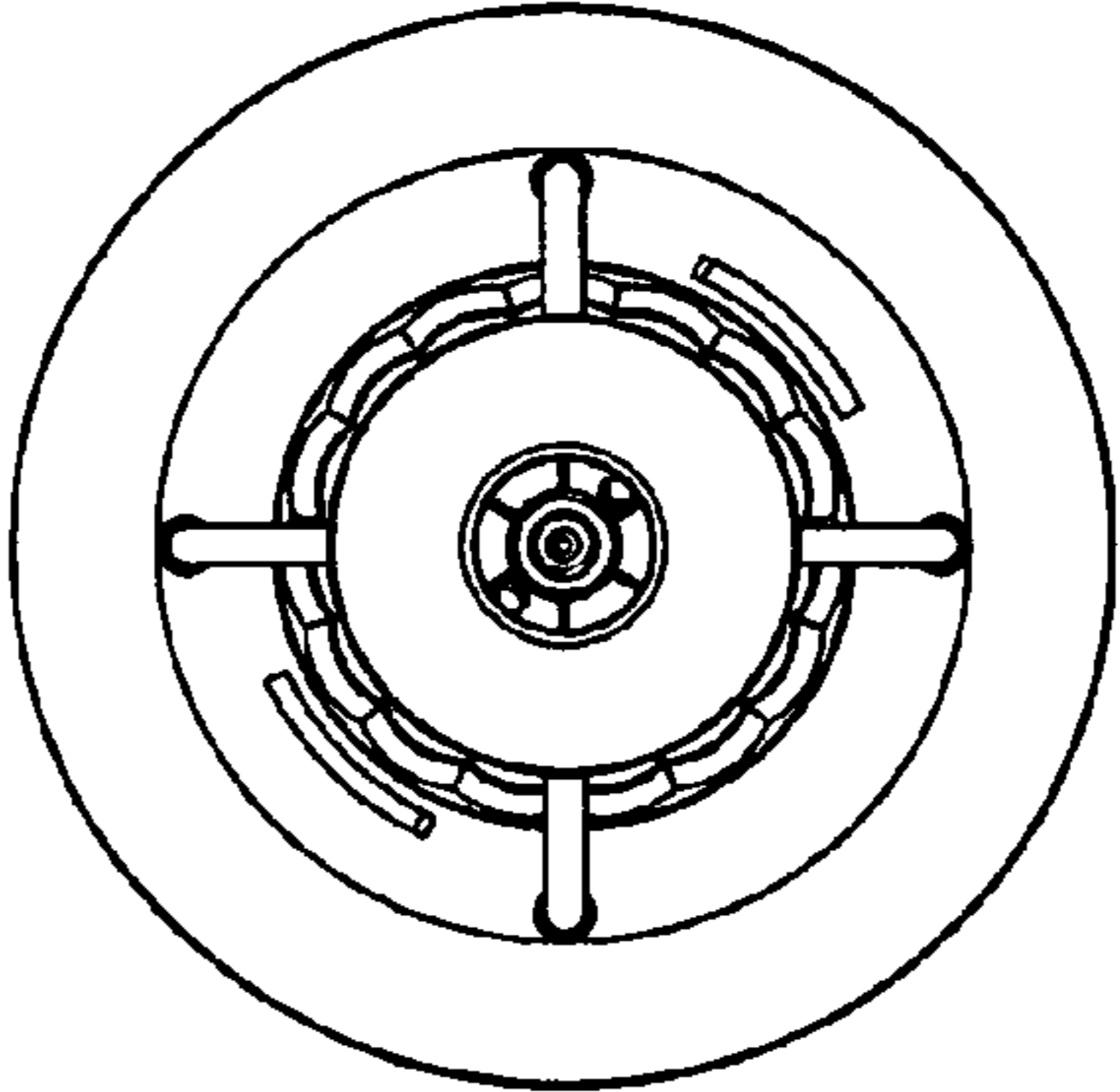


FIG. 10

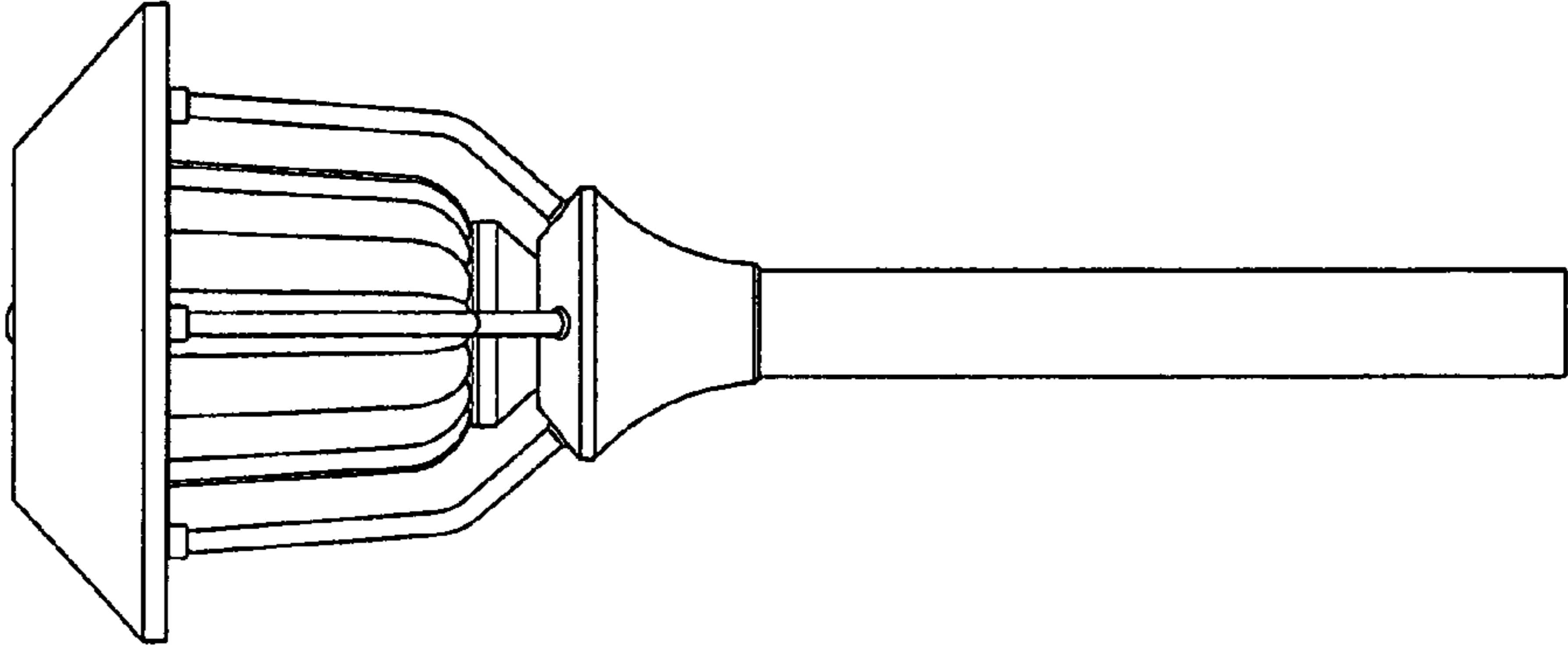


FIG. 8

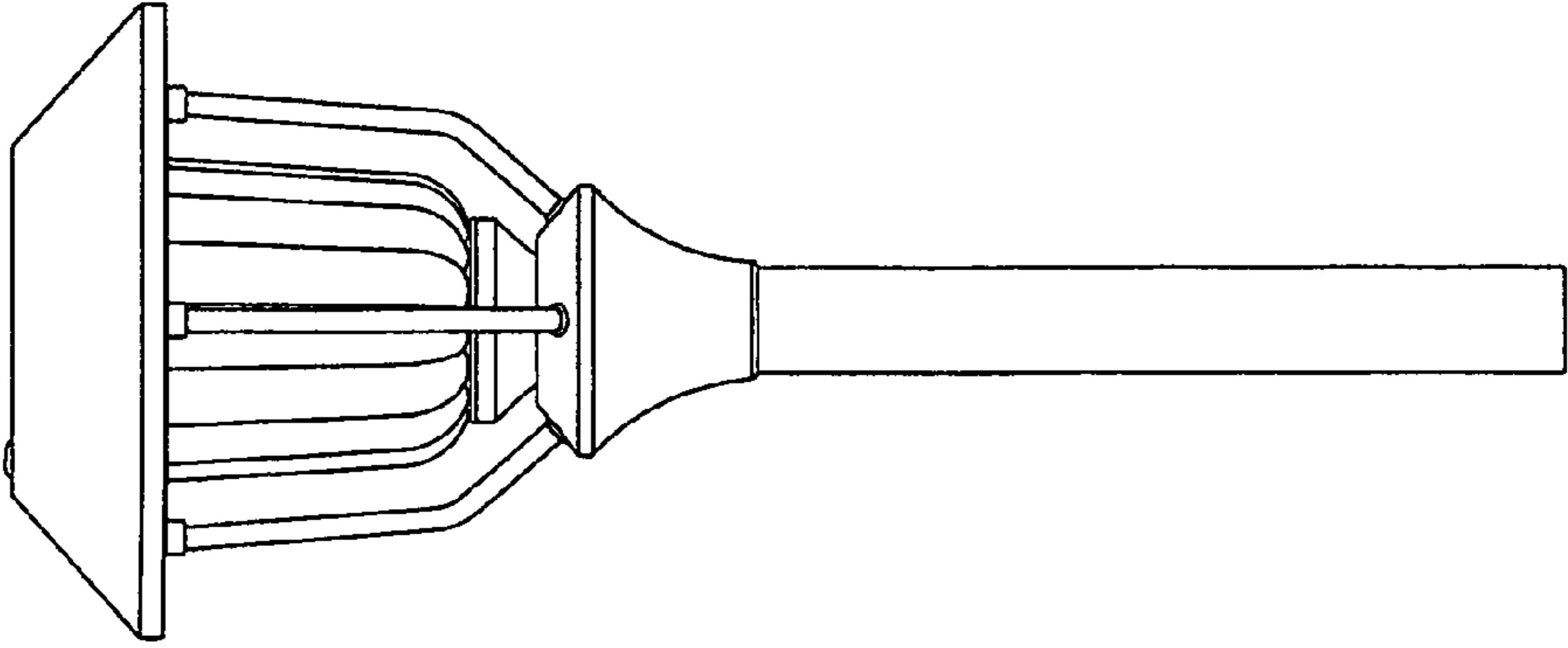


FIG. 7