



US00D629950S

(12) **United States Design Patent**
Izardel

(10) **Patent No.:** **US D629,950 S**

(45) **Date of Patent:** **** Dec. 28, 2010**

(54) **SOLAR LAMP**

(75) Inventor: **Lazar Izardel**, Tel Aviv (IL)

(73) Assignee: **Gamasonic Industries (H.K.) Ltd.**,
Tsimshatsul, Kowloon (HK)

(**) Term: **14 Years**

(21) Appl. No.: **29/355,050**

(22) Filed: **Feb. 2, 2010**

(51) **LOC (9) Cl.** **26-05**

(52) **U.S. Cl.** **D26/67**

(58) **Field of Classification Search** D26/72,
D26/81-86, 88-91, 118-122; 362/147, 404-408,
362/443, 457, 341, 346

See application file for complete search history.

(56) **References Cited**

U.S. PATENT DOCUMENTS

D25,976 S *	8/1896	Shaw	D26/67
D170,152 S *	8/1953	Daum	D26/51
D202,808 S *	11/1965	Dailey	D26/67
D208,101 S *	7/1967	Koziol, III	D26/67
D208,941 S *	10/1967	Koziol, III	D26/67
D213,521 S *	3/1969	Vesely et al.	D26/24
D248,505 S *	7/1978	Koziol	D26/51
D309,788 S *	8/1990	Koziol	D26/67
D309,798 S *	8/1990	Koziol	D26/110

D333,189 S *	2/1993	Hall et al.	D26/67
D469,559 S *	1/2003	Chang	D26/67
D483,138 S *	12/2003	Chen	D26/67
D488,576 S *	4/2004	Chen	D26/67
6,719,442 B1 *	4/2004	Chen	362/328
D540,970 S *	4/2007	Chen	D26/67
D553,284 S *	10/2007	Bucher et al.	D26/67
D553,285 S *	10/2007	Curtin	D26/67
D557,437 S *	12/2007	Hsu	D26/67

* cited by examiner

Primary Examiner—Clare E Heflin

(74) *Attorney, Agent, or Firm*—Dekel Patent Ltd.; David Klein

(57) **CLAIM**

The ornamental design for a solar lamp, as shown and described.

DESCRIPTION

FIG. 1 is a front view of a solar shed light, showing my new design;

FIG. 2 is a right side view thereof;

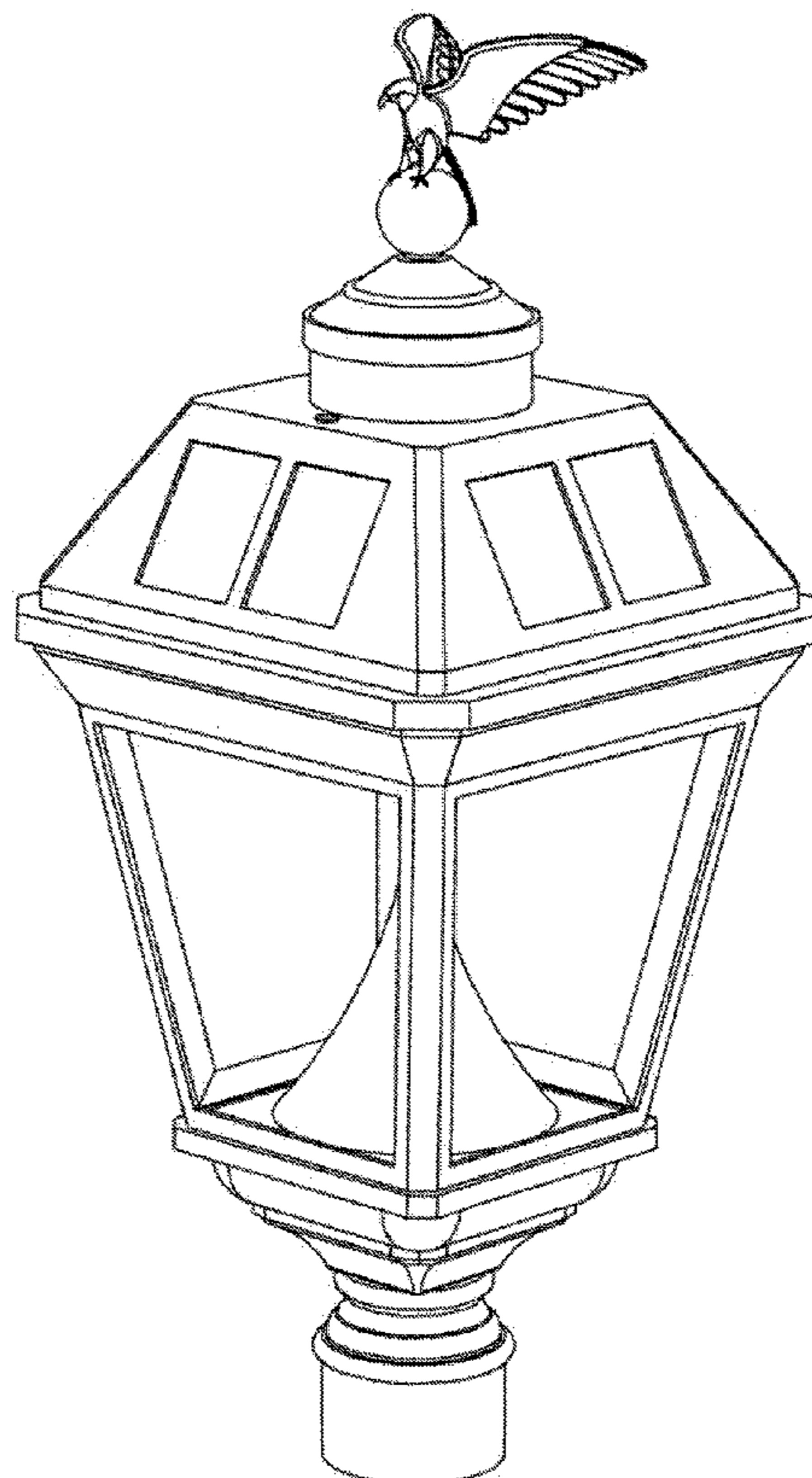
FIG. 3 is a left side view thereof;

FIG. 4 is a perspective view thereof;

FIG. 5 is a top view thereof; and,

FIG. 6 is a rear view thereof.

1 Claim, 6 Drawing Sheets



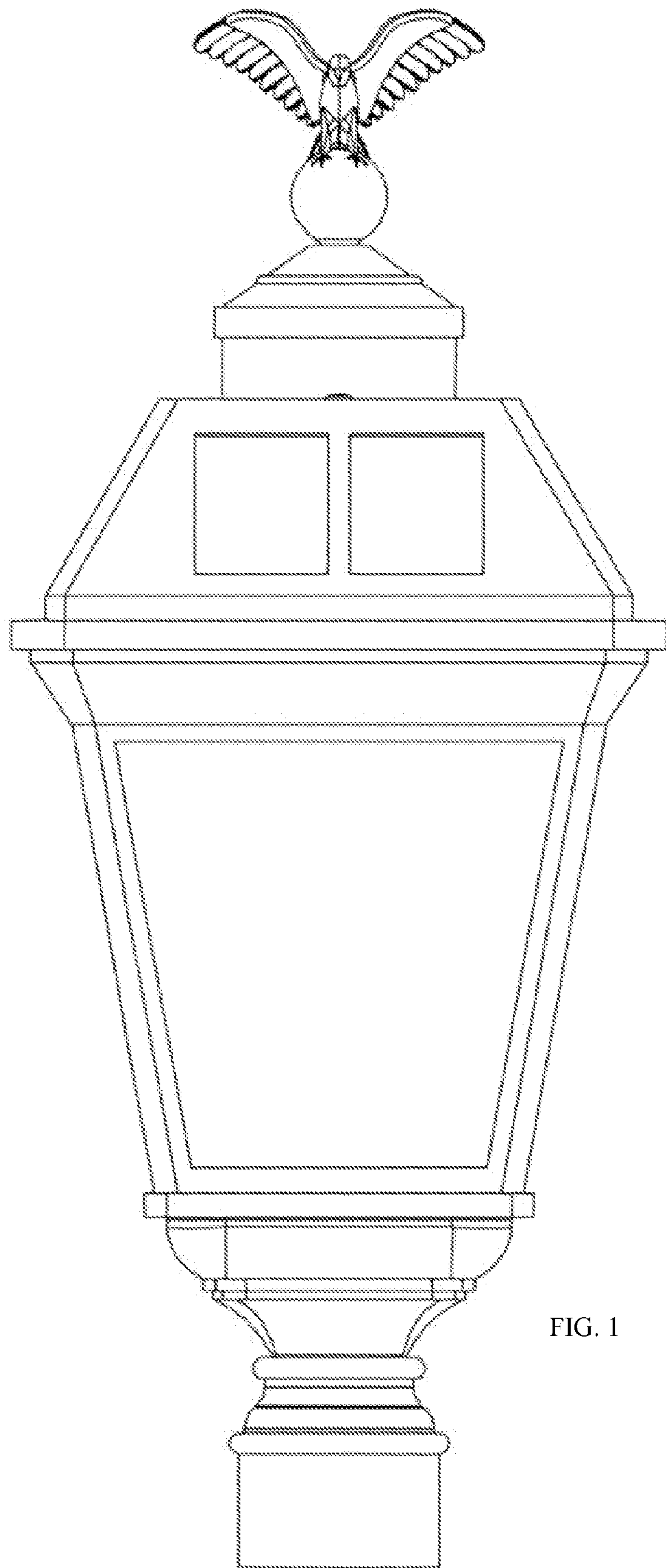


FIG. 1

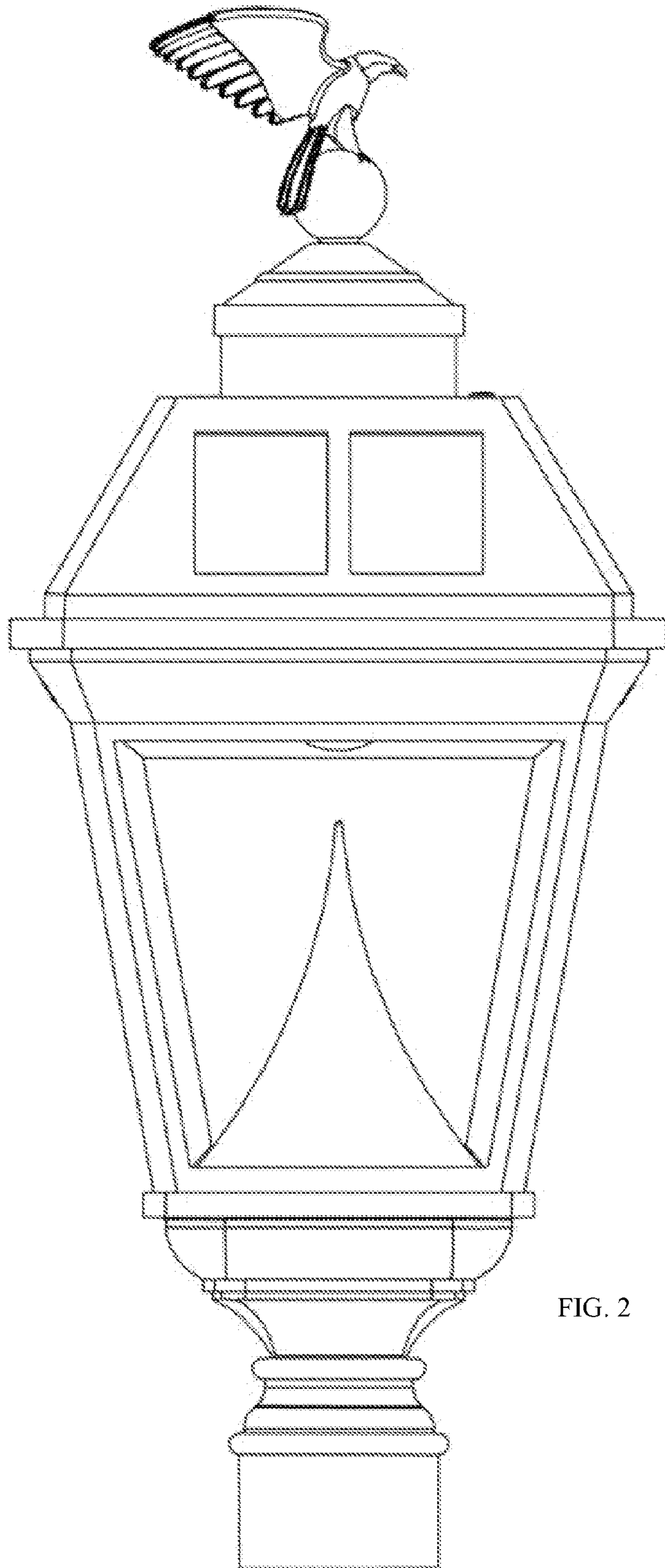


FIG. 2

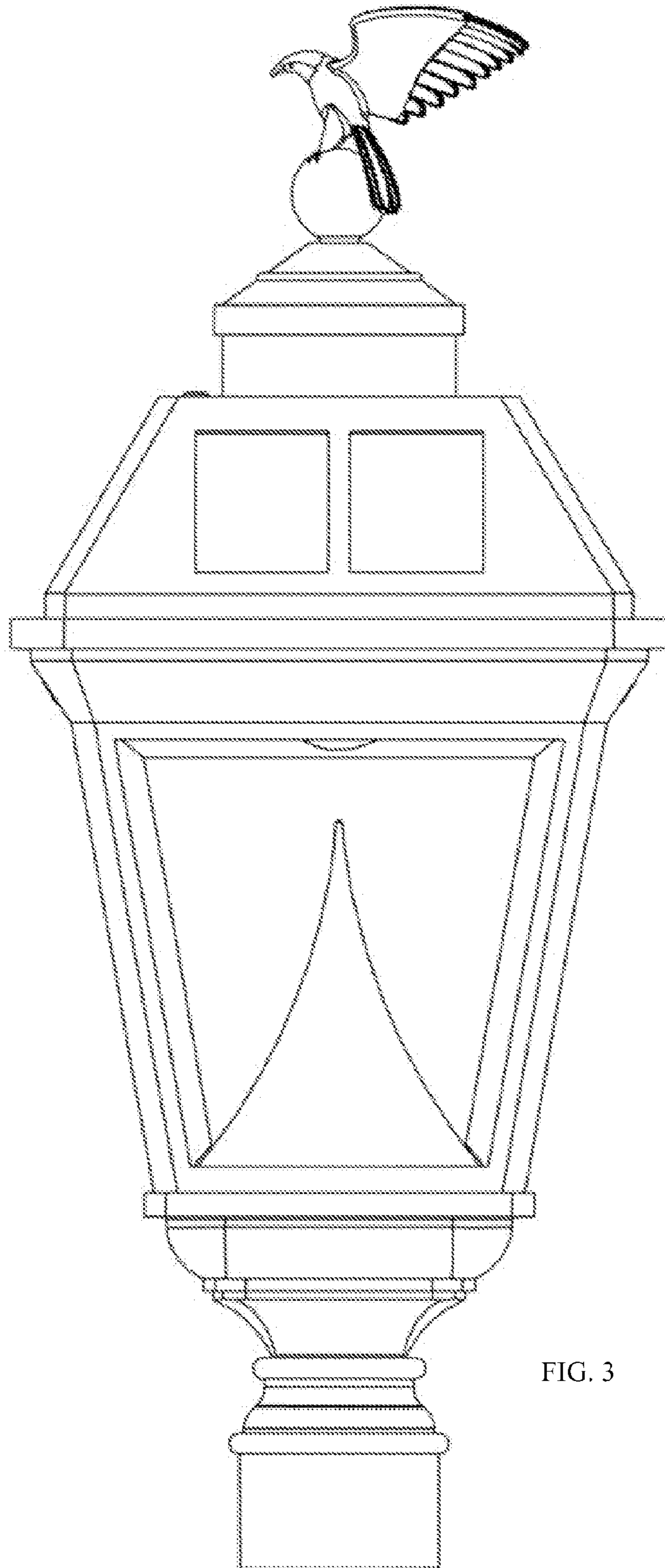


FIG. 3

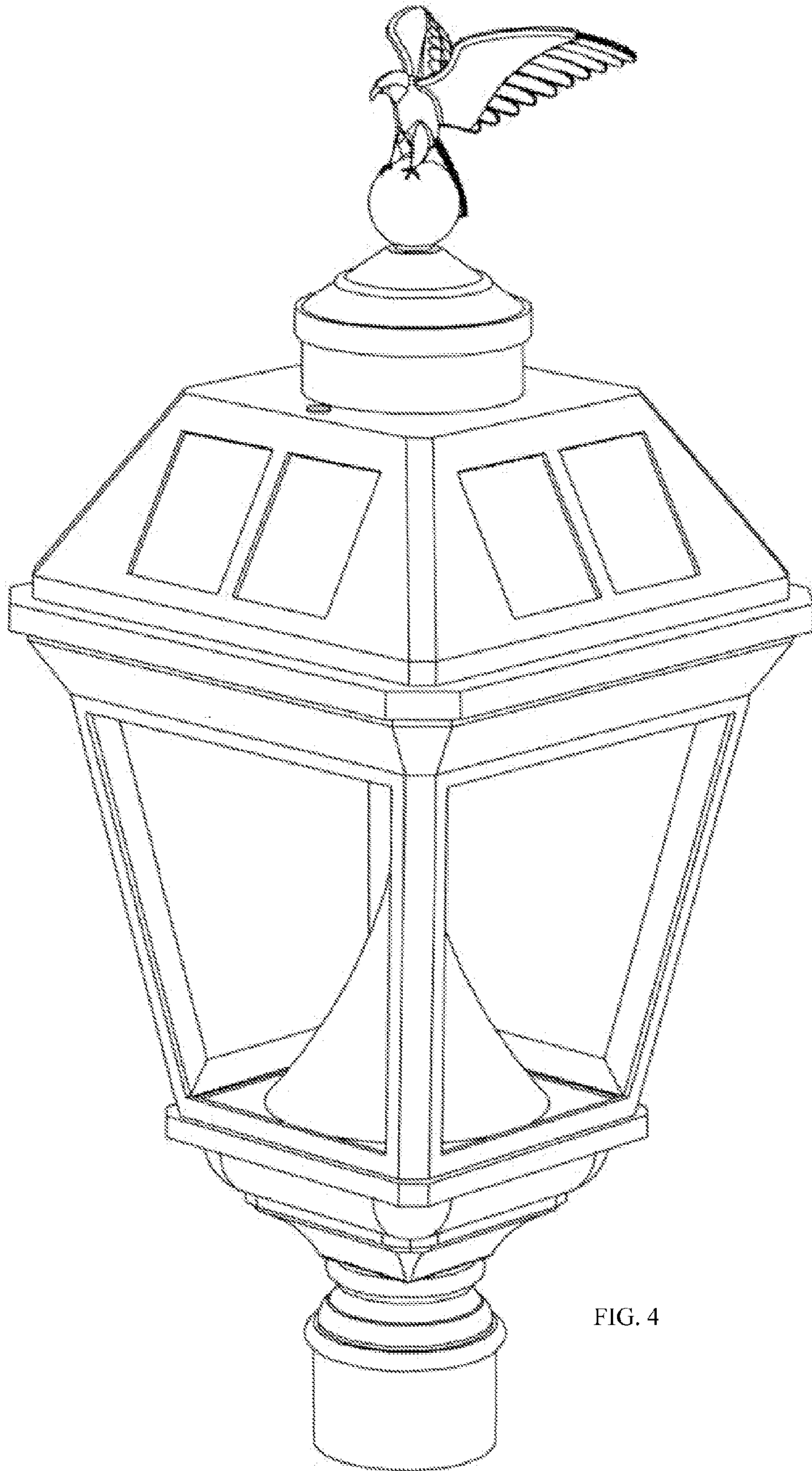


FIG. 4

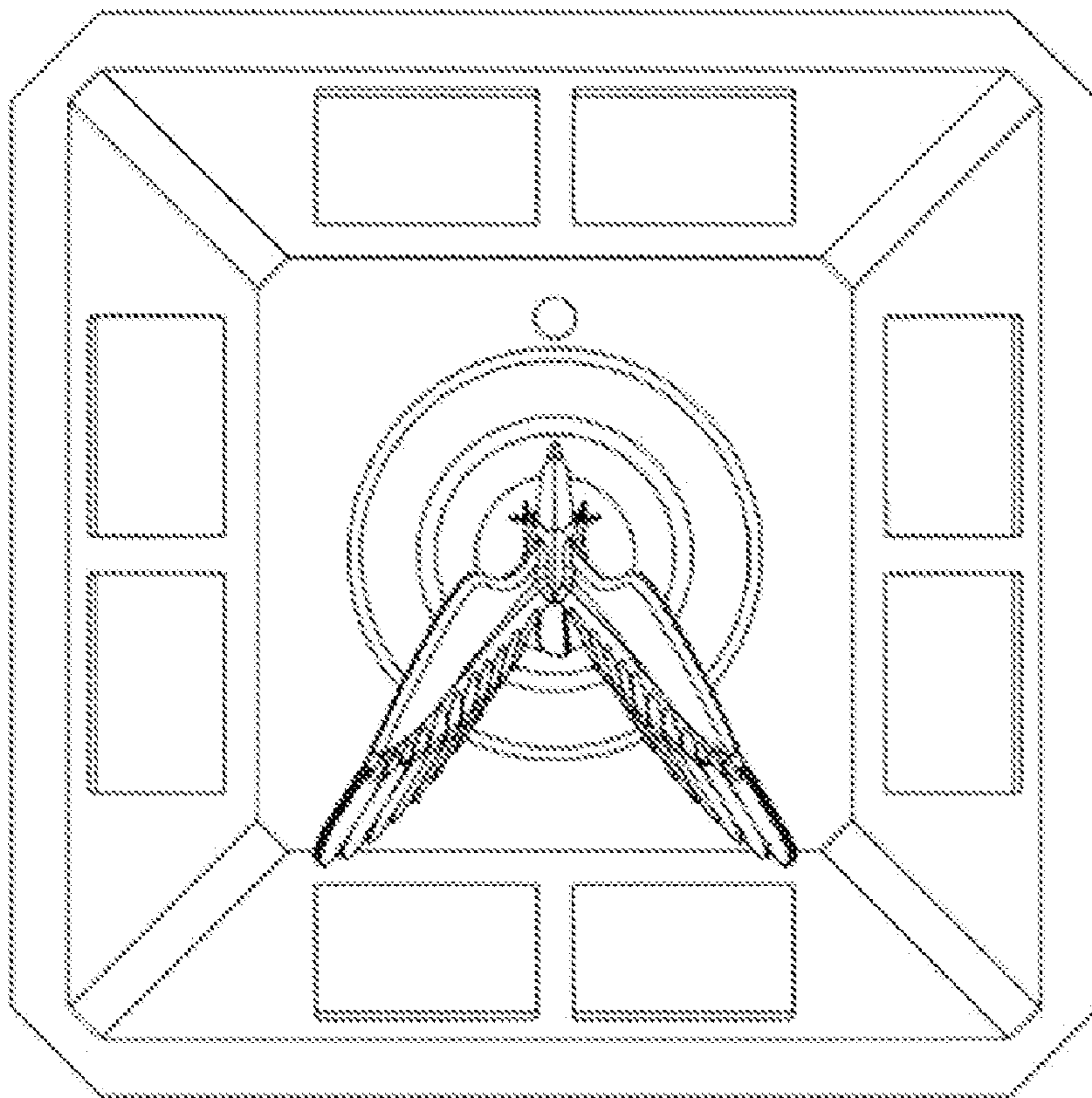


FIG. 5

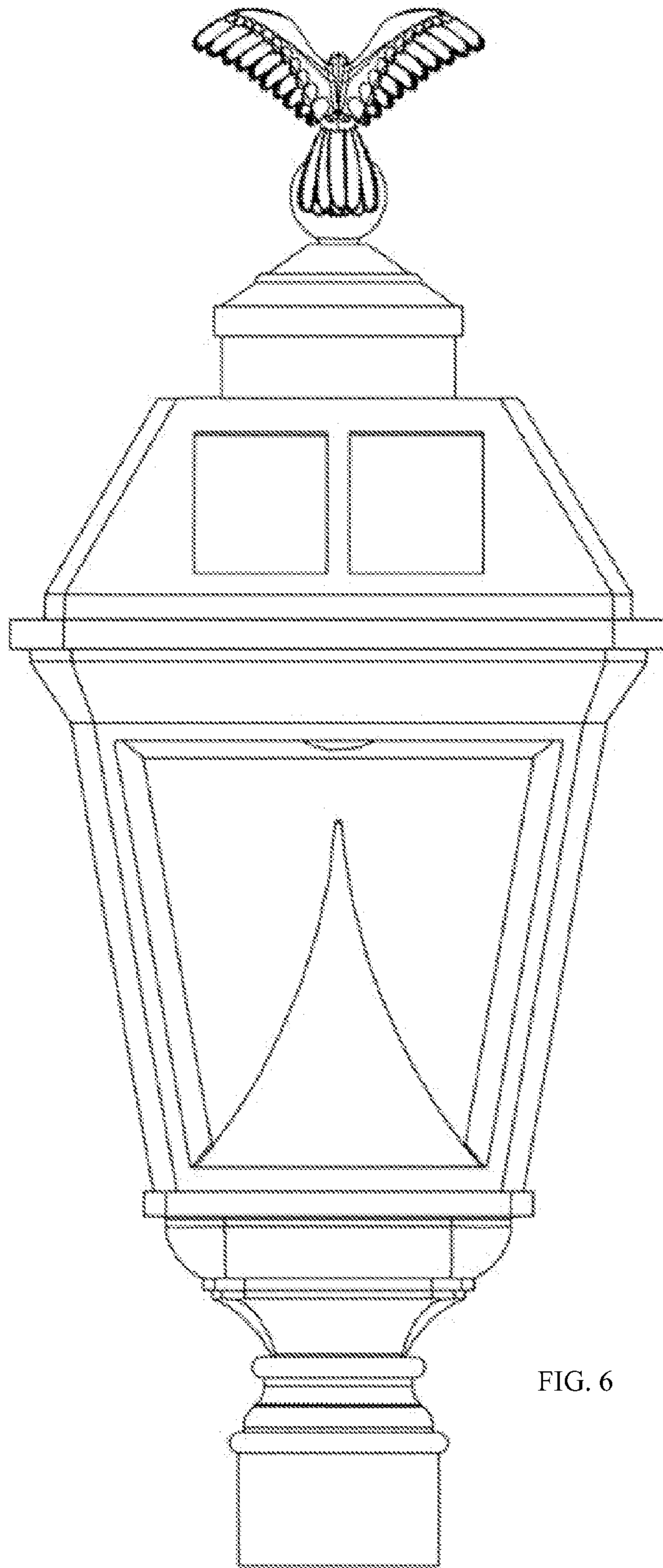


FIG. 6