



US00D629948S

(12) **United States Design Patent**
Yu

(10) **Patent No.:** **US D629,948 S**

(45) **Date of Patent:** **** Dec. 28, 2010**

(54) **LIGHTING LAMP**

D591,883 S * 5/2009 Gill D26/63

(76) Inventor: **Shih-Hsien Yu**, P.O. Box 215, Taichung
(TW) 40099

* cited by examiner

Primary Examiner—Susan M Lee
Assistant Examiner—Linda G Brooks

(**) Term: **14 Years**

(21) Appl. No.: **29/347,735**

(57) **CLAIM**

(22) Filed: **Apr. 30, 2010**

The ornamental design for a lighting lamp, as shown and described.

(30) **Foreign Application Priority Data**

DESCRIPTION

Nov. 2, 2009 (TW) 98305191

FIG. 1 is a stereogram of a lighting lamp according to the embodiment of the invention.

(51) **LOC (9) Cl.** **26-05**

FIG. 2 is a front elevational view of a lighting lamp according to the embodiment of the invention.

(52) **U.S. Cl.** **D26/63**

(58) **Field of Classification Search** D26/60–66,
D26/72, 74–76, 85, 87, 91, 92, 24; 362/147,
362/148, 269, 270–275, 277, 278, 282, 284,
362/285, 287–289, 418, 419, 427, 428, 430,
362/294, 372, 373, 319, 324, 432

FIG. 3 is a rear elevational view of a lighting lamp according to the embodiment of the invention.

See application file for complete search history.

FIG. 4 is a left side elevational view of a lighting lamp according to the embodiment of the invention.

(56) **References Cited**

FIG. 5 is a right side elevational view of a lighting lamp according to the embodiment of the invention.

U.S. PATENT DOCUMENTS

FIG. 6 is an upward view of a lighting lamp according to the embodiment of the invention.

D321,764 S * 11/1991 Von Klier D26/63

FIG. 7 is an overhead view of a lighting lamp according to the embodiment of the invention; and,

D345,226 S * 3/1994 Tsao D26/63

FIG. 8 is a stereogram of an upward view of a lighting lamp according to the embodiment of the invention.

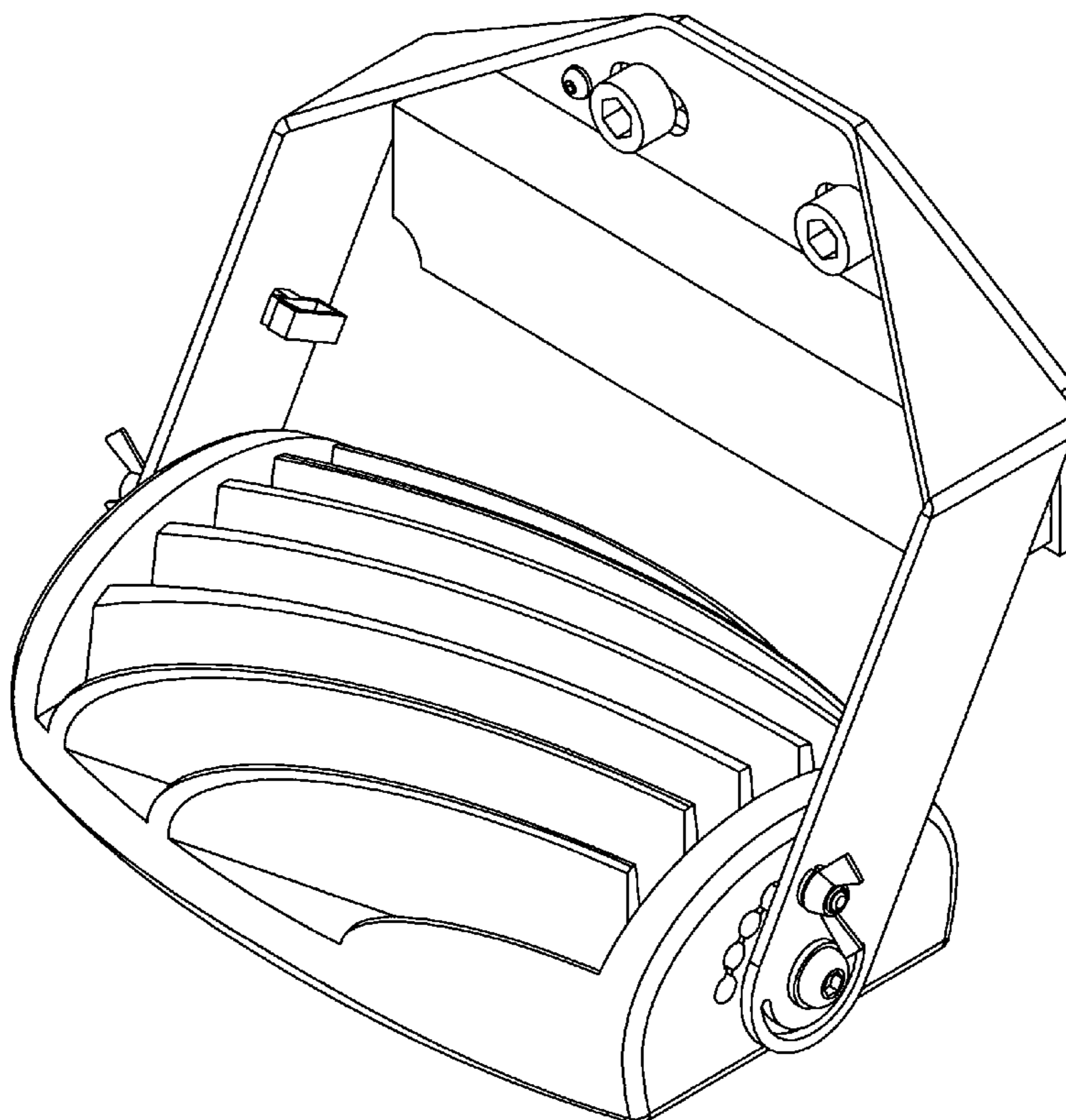
D391,382 S * 2/1998 Rahn D26/63

D549,380 S * 8/2007 Guercio D26/63

D552,282 S * 10/2007 Guercio D26/63

D558,376 S * 12/2007 Posey et al. D26/72

1 Claim, 8 Drawing Sheets



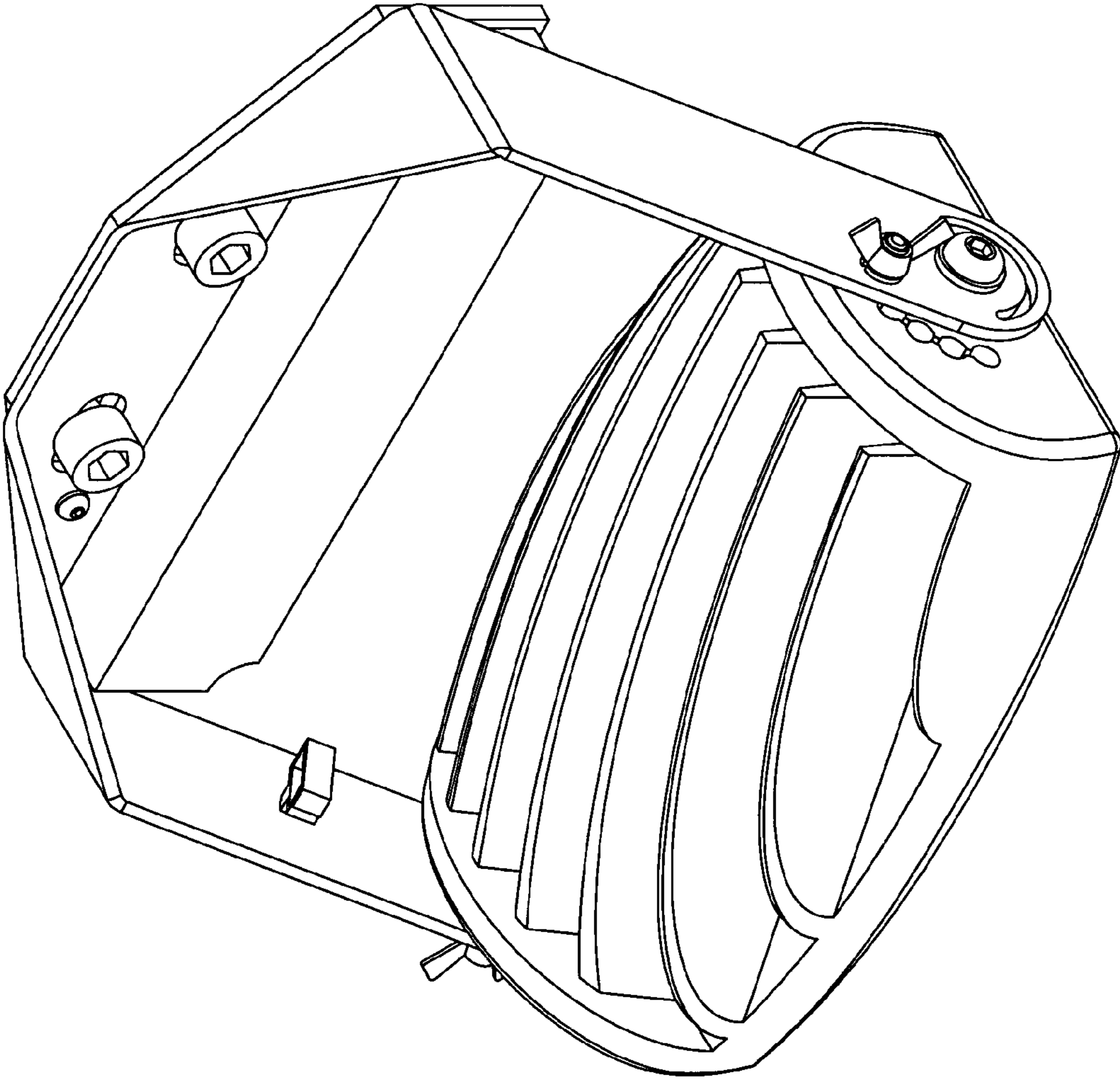


FIG 1

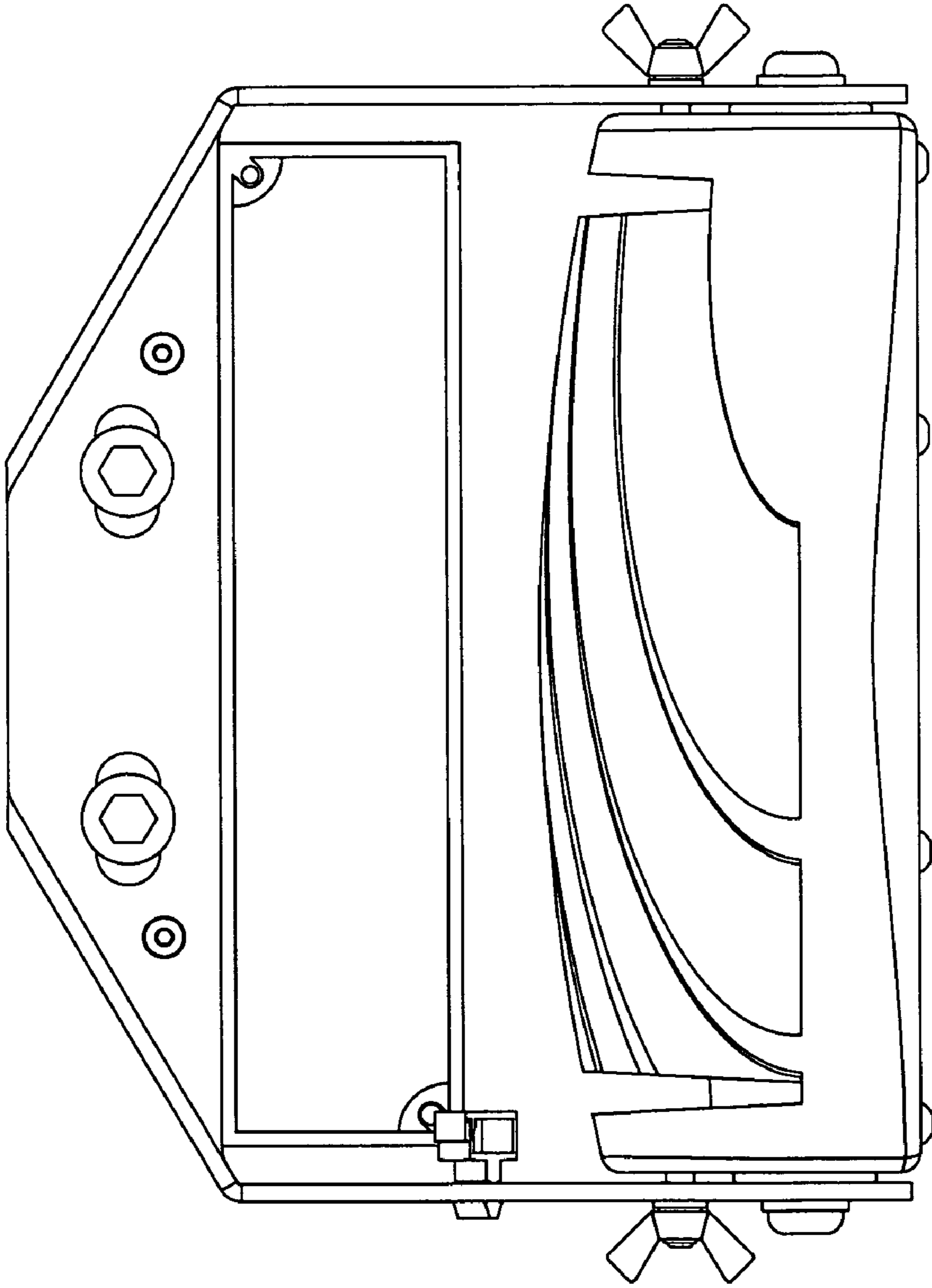


FIG 2

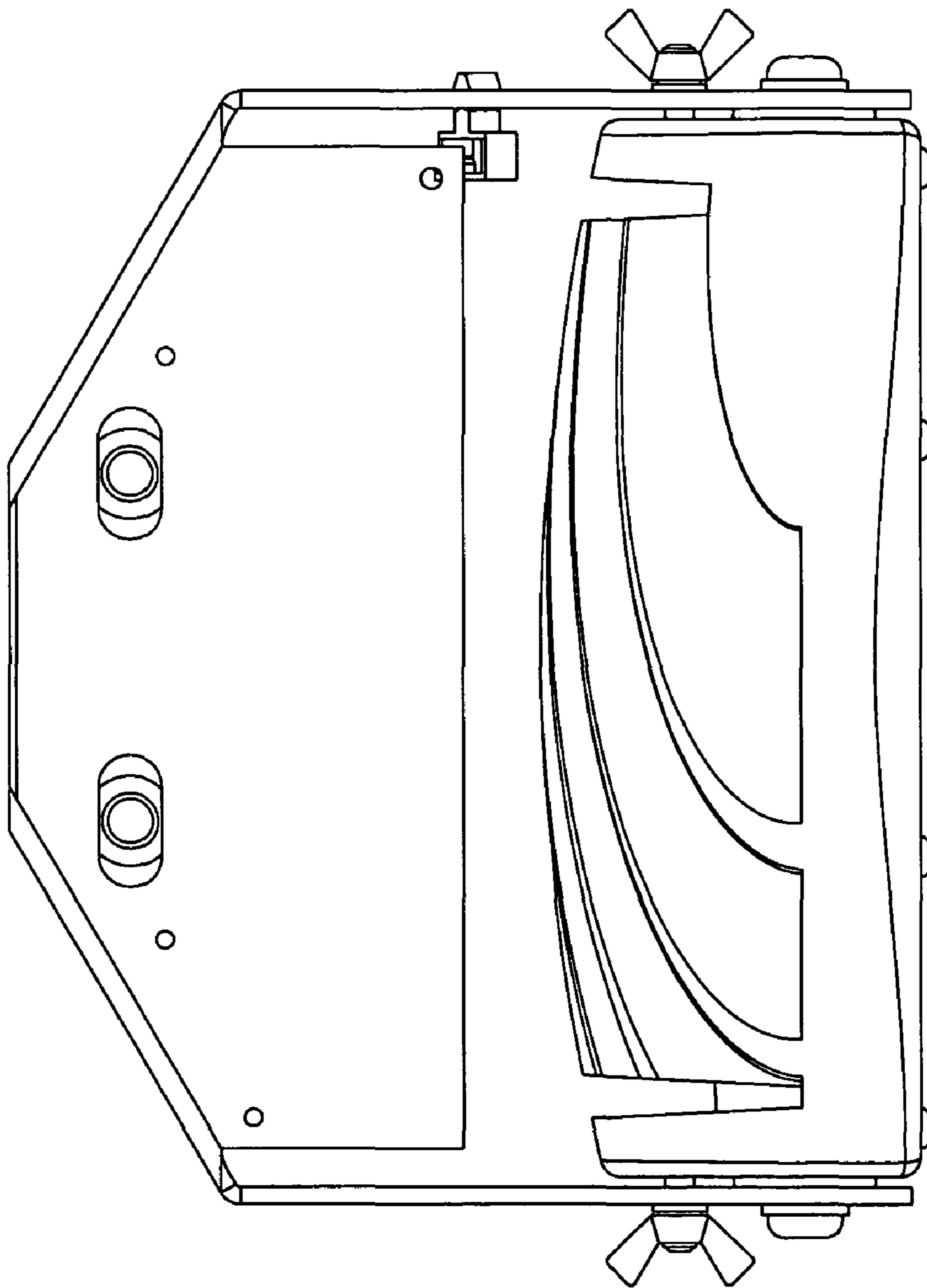


FIG 3

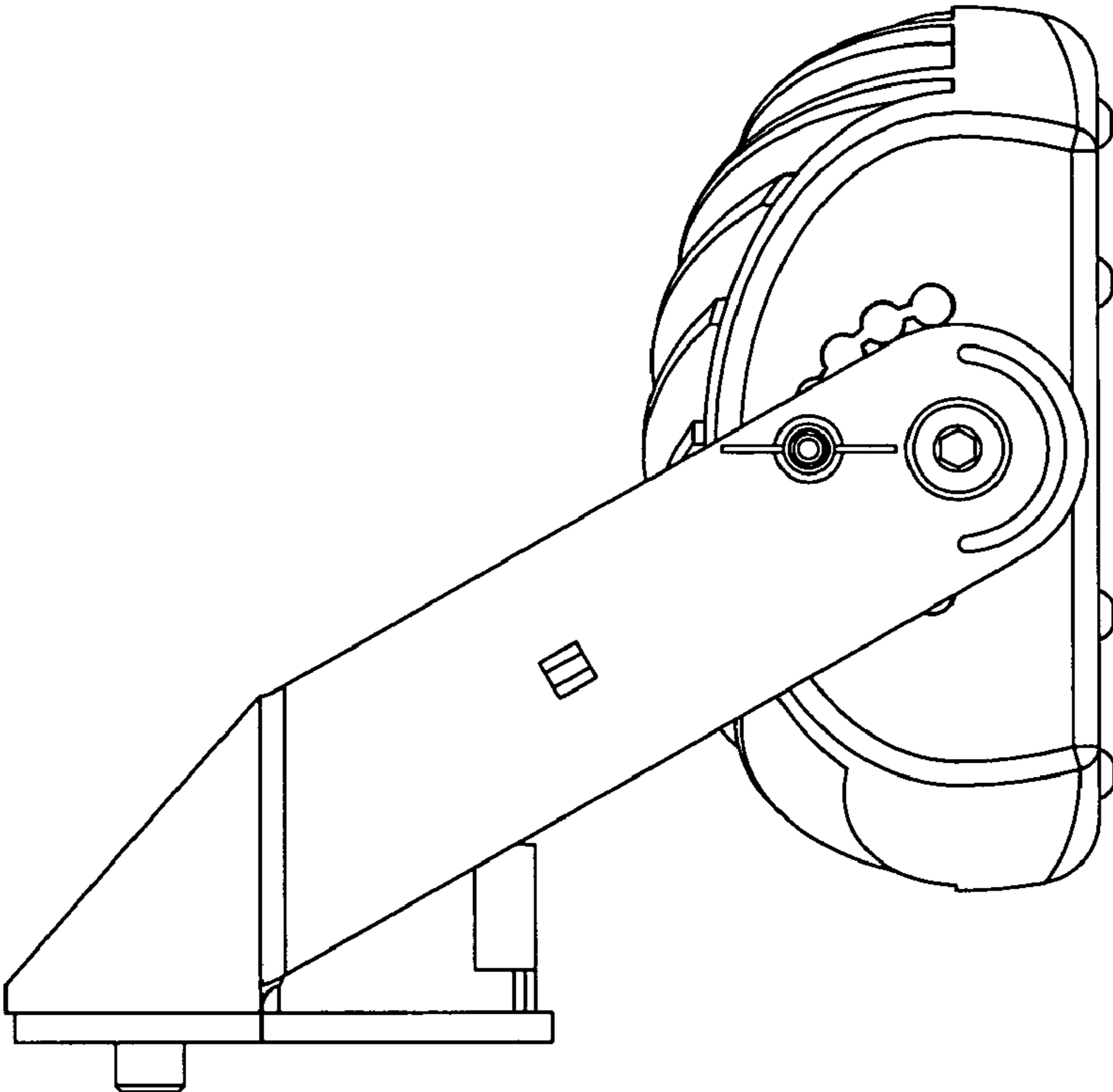


FIG 4

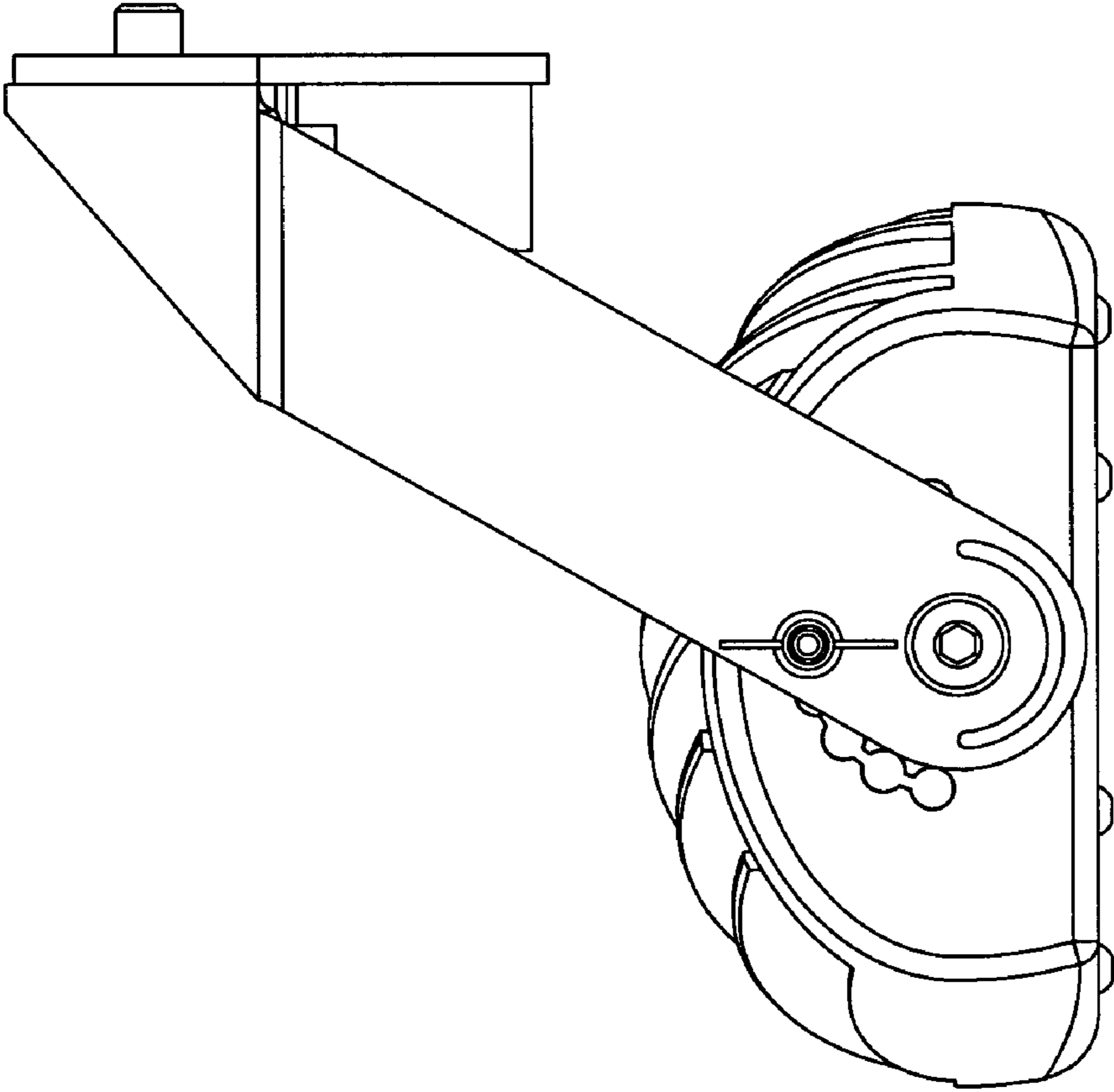


FIG 5

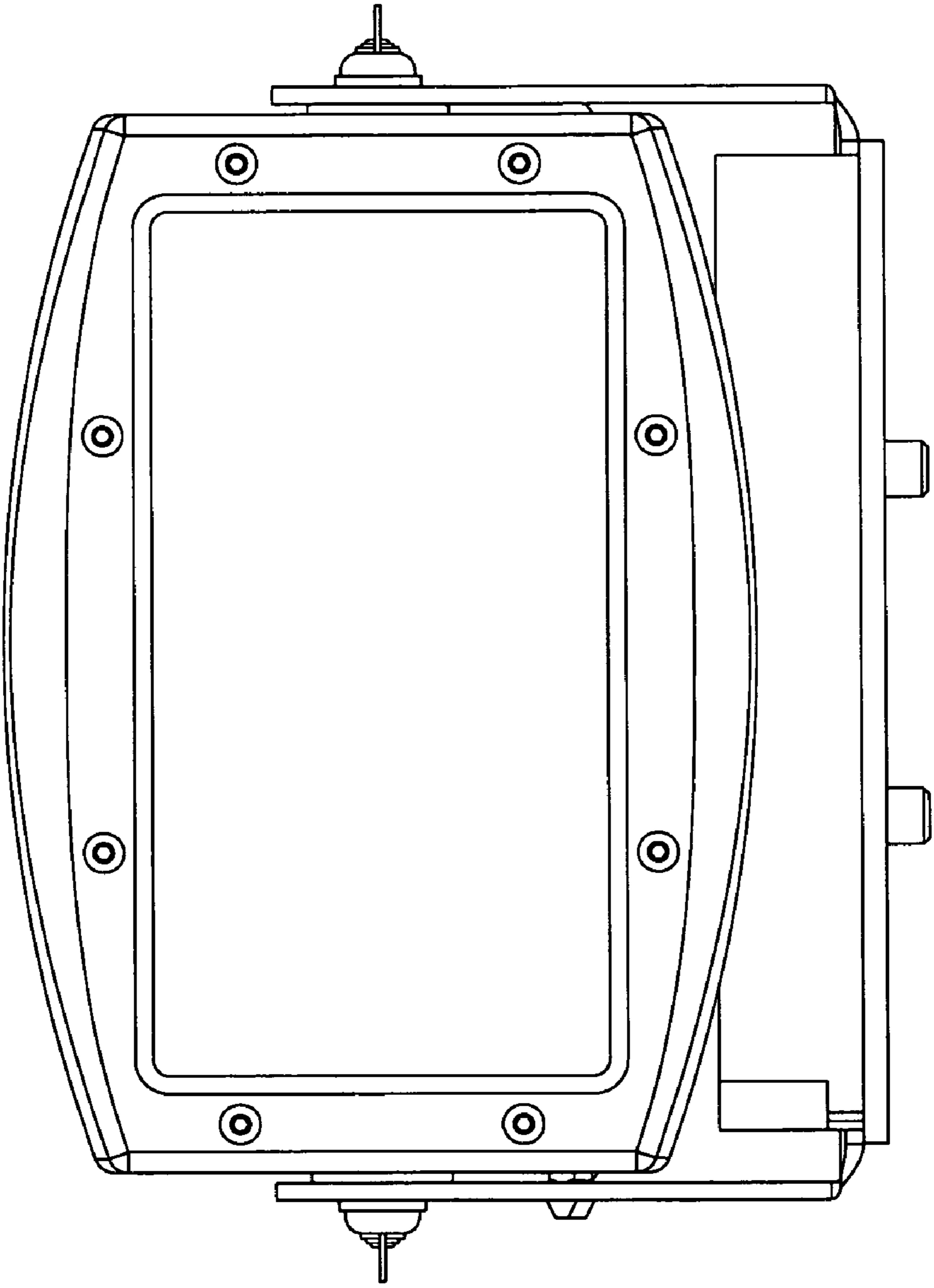


FIG 6

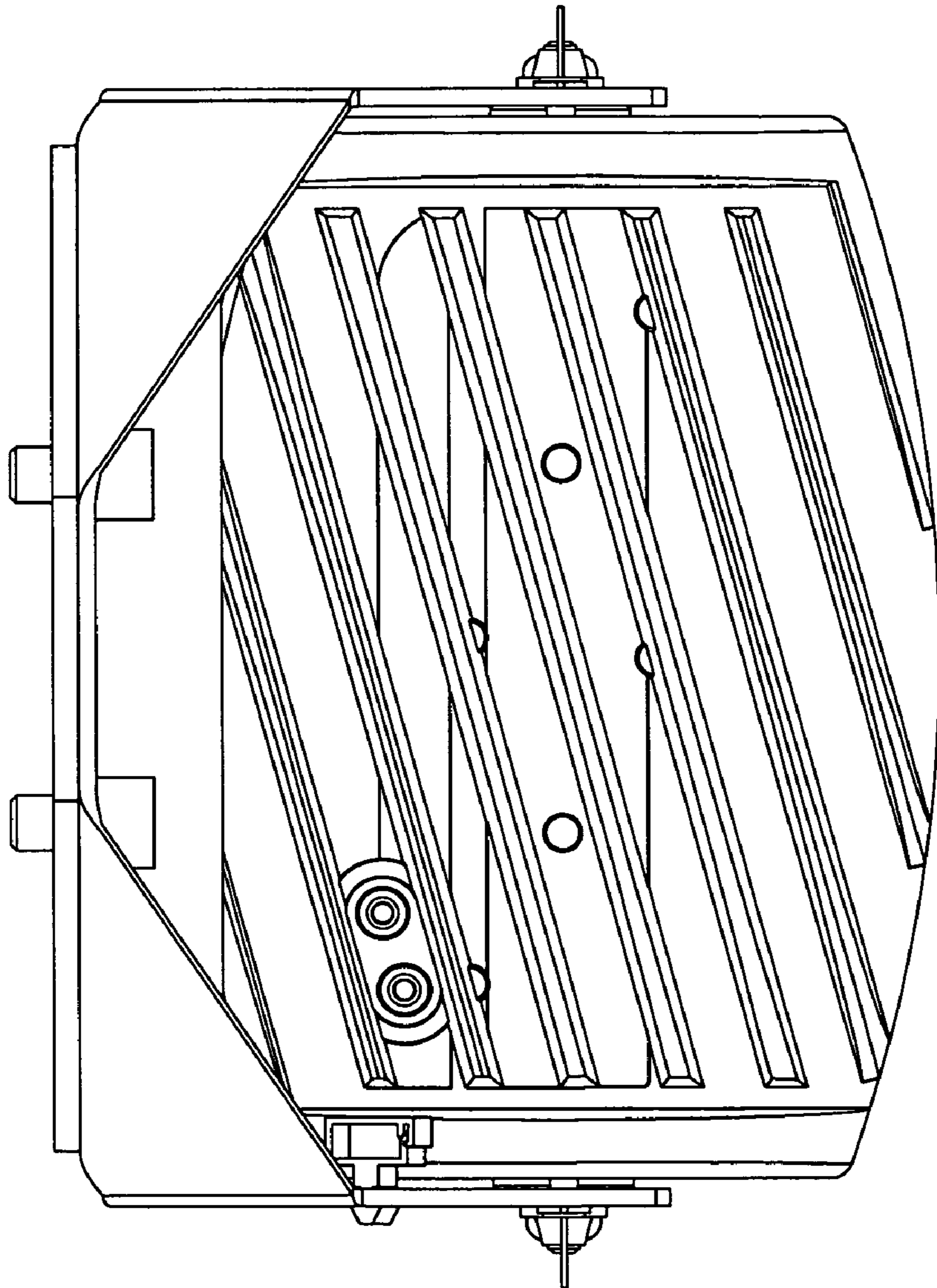


FIG 7

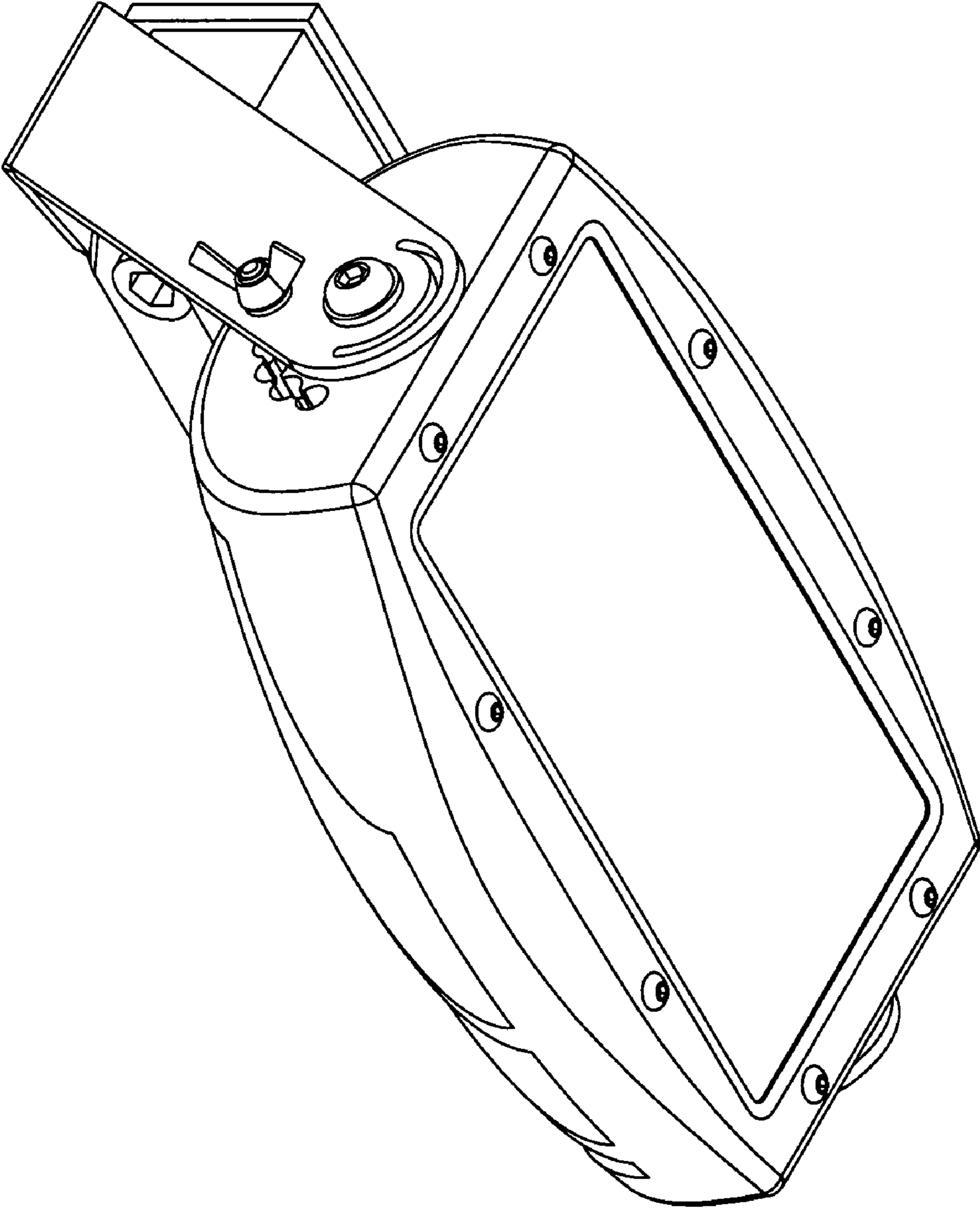


FIG 8