



US00D629942S

(12) **United States Design Patent**
Sooferian

(10) **Patent No.:** **US D629,942 S**

(45) **Date of Patent:** **** Dec. 28, 2010**

(54) **SOLAR LIGHT**

(76) **Inventor:** **Danny H. Sooferian**, 451-E Constitution Ave., Camarillo, CA (US) 93012

(**) **Term:** **14 Years**

(21) **Appl. No.:** **29/349,692**

(22) **Filed:** **Apr. 23, 2010**

(51) **LOC (9) Cl.** **26-05**

(52) **U.S. Cl.** **D26/58**

(58) **Field of Classification Search** D26/67-71,
D26/73, 85, 101, 125, 128; 362/147, 152,
362/153, 153.1, 183, 185, 431, 653

See application file for complete search history.

(56) **References Cited**

U.S. PATENT DOCUMENTS

D100,811 S *	8/1936	Bick	D26/67
D238,961 S *	2/1976	Friberg	D26/67
D382,662 S *	8/1997	Shalvi	D26/68
D456,547 S *	4/2002	Leen	D26/67
D464,456 S *	10/2002	Chang	D26/67

D541,968 S *	5/2007	Tortel	D26/67
D556,932 S *	12/2007	Sooferian	D26/68
D615,687 S *	5/2010	Chen	D26/68

* cited by examiner

Primary Examiner—Clare E Heflin

(74) *Attorney, Agent, or Firm*—Colin P. Abrahams

(57) **CLAIM**

The ornamental design for a solar light, as shown and described.

DESCRIPTION

FIG. 1 is a perspective view of a solar light showing my new design;

FIG. 2 is a front view of the solar light, the rear view being a mirror image;

FIG. 3 is a right side view of the solar light, the left side being identical;

FIG. 4 is a top view of the solar light; and,

FIG. 5 is a bottom view of the solar light.

1 Claim, 2 Drawing Sheets

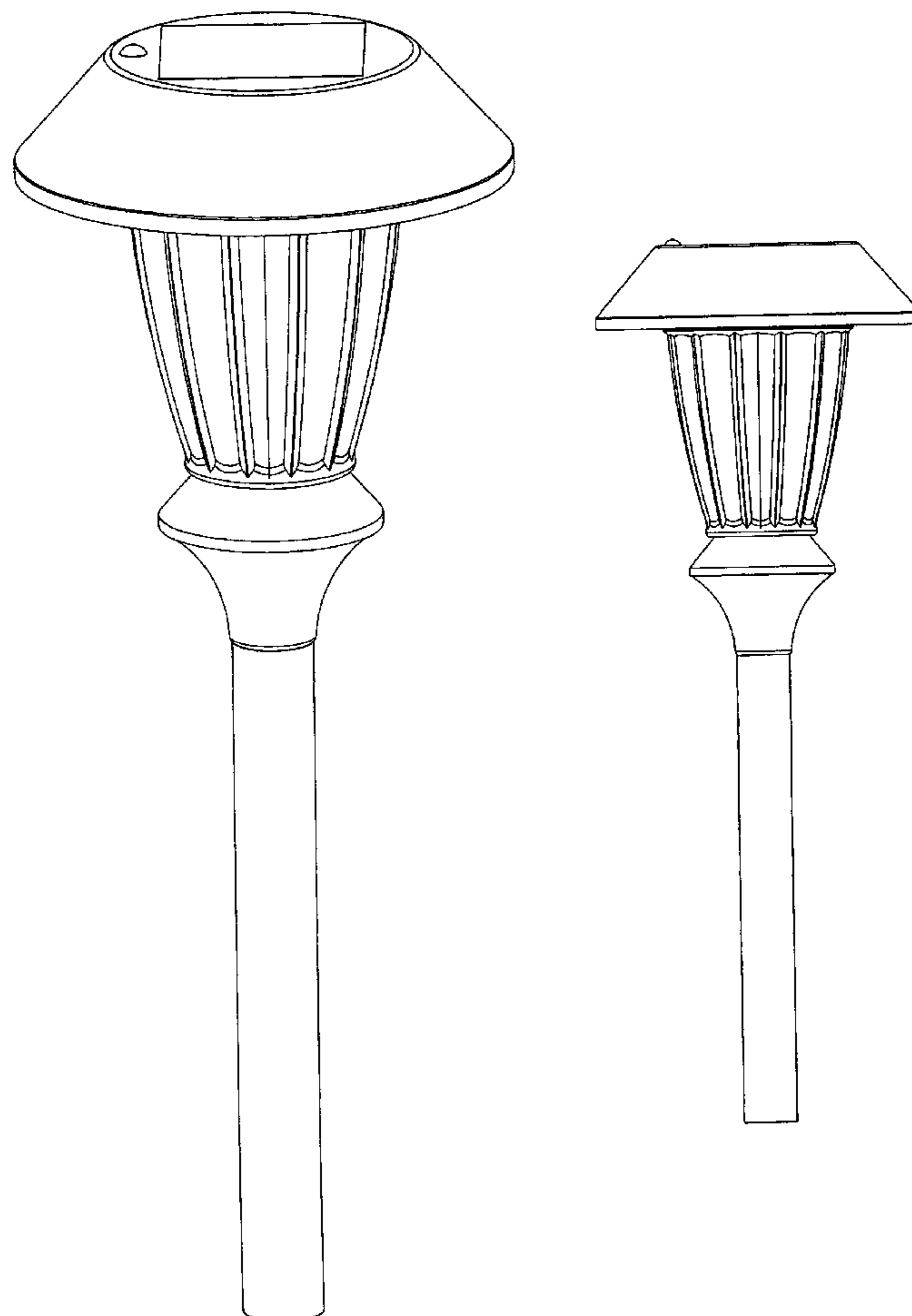


FIG. 1

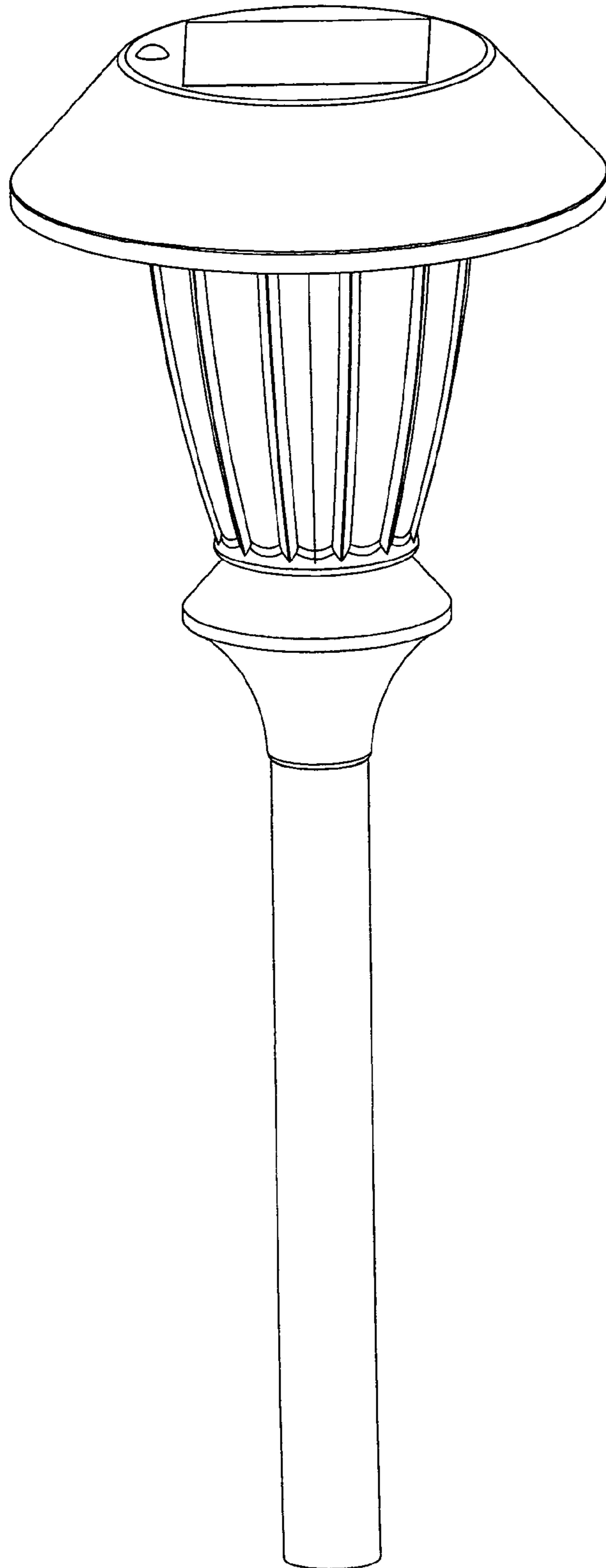


FIG. 3

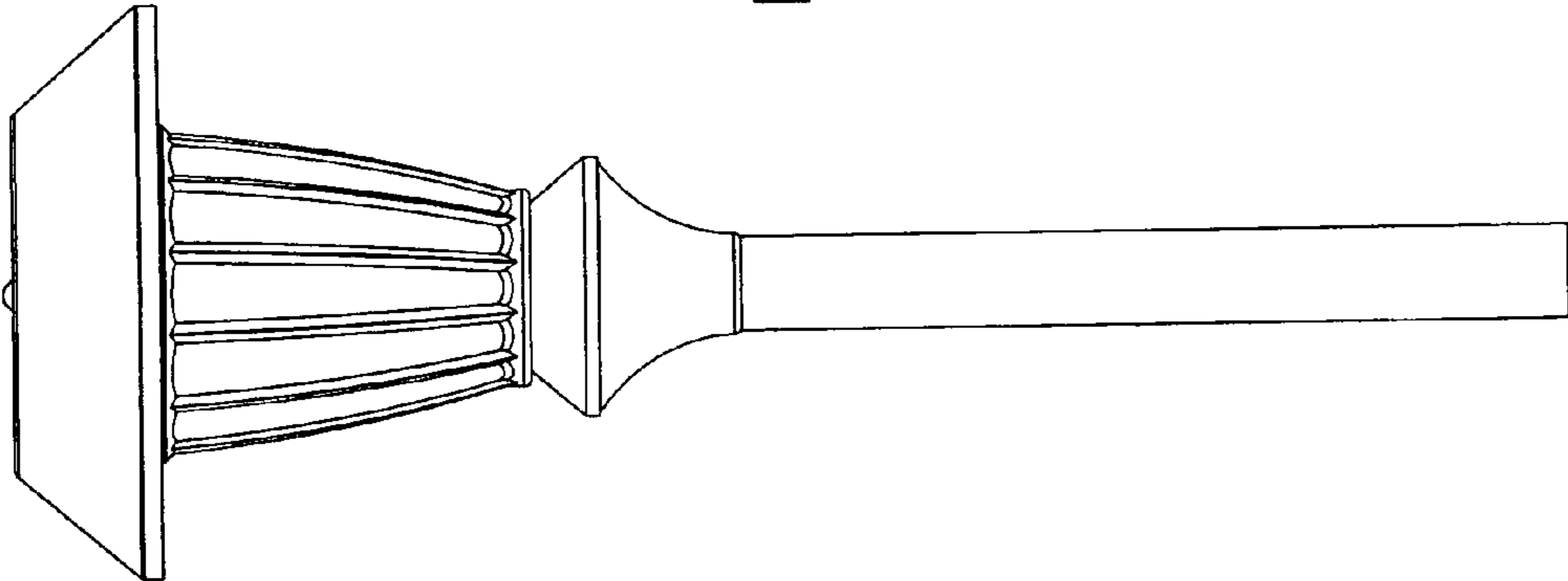


FIG. 2

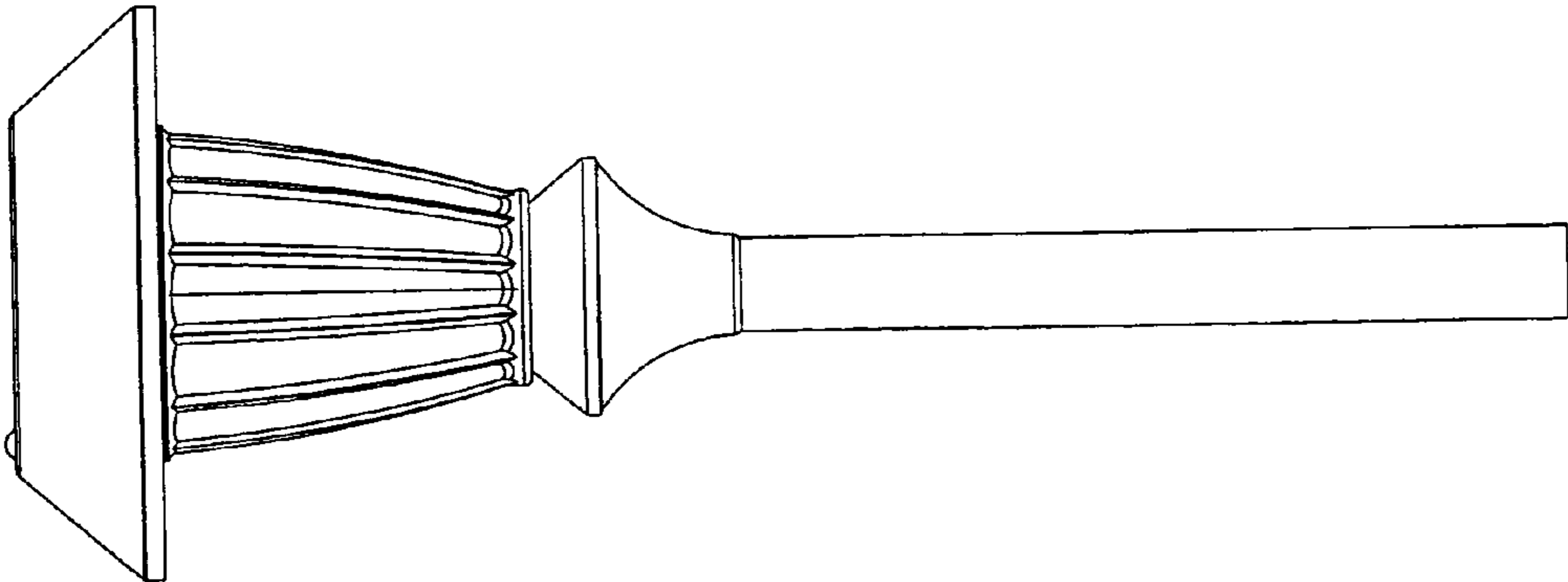


FIG. 4

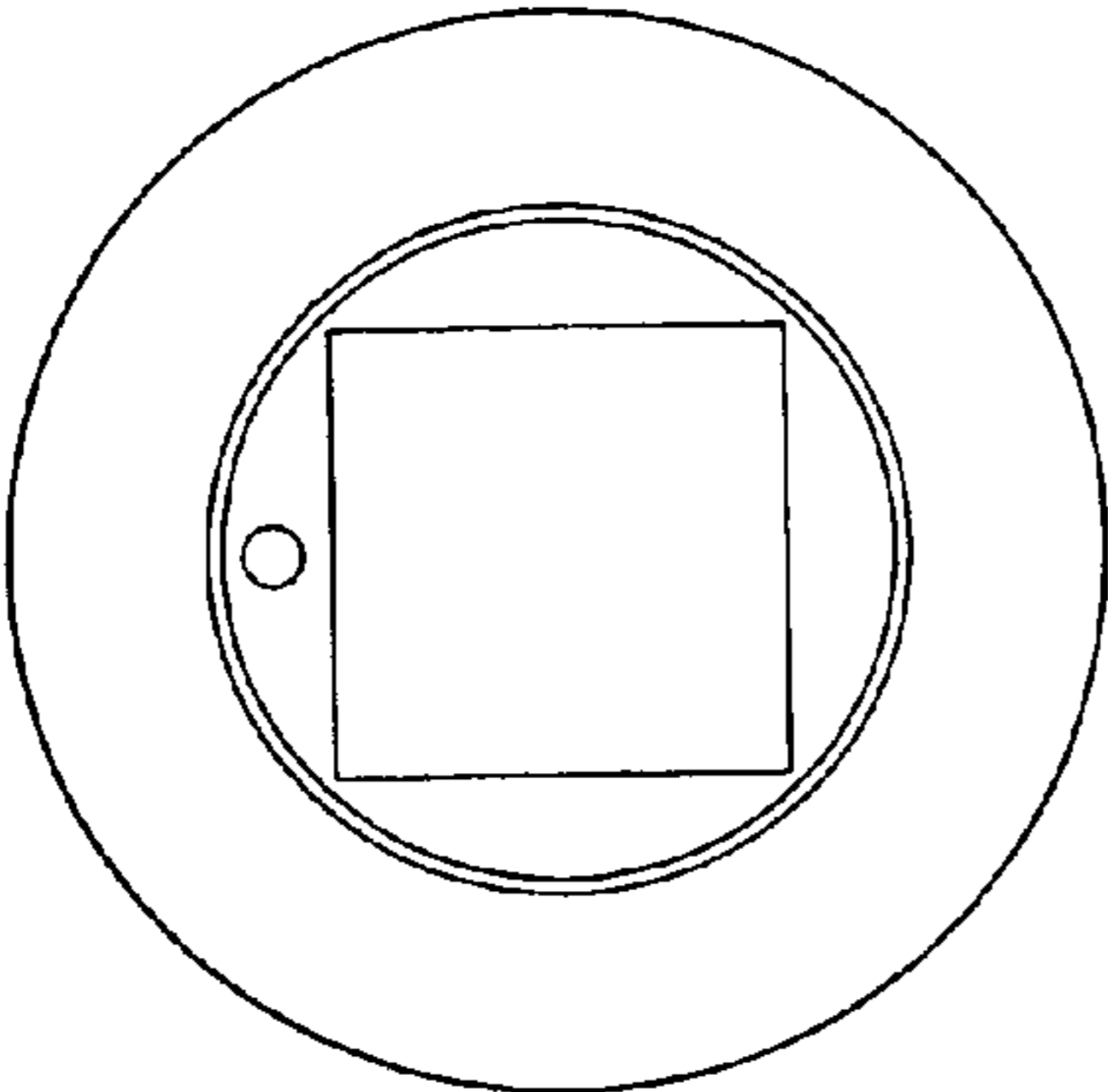


FIG. 5

