



US00D629941S

(12) **United States Design Patent**  
**Robinson et al.**

(10) **Patent No.:** **US D629,941 S**  
(45) **Date of Patent:** **\*\* Dec. 28, 2010**

(54) **FLASHLIGHT**

(75) Inventors: **Glenn Robinson**, Coral Springs, FL  
(US); **Michael Garcia**, Coral Springs,  
FL (US)

(73) Assignee: **IBT Holdings, LLC**, Deerfield Beach,  
FL (US)

(\*\*) Term: **14 Years**

(21) Appl. No.: **29/349,884**

(22) Filed: **May 17, 2010**

(51) **LOC (9) Cl.** ..... **26-02**

(52) **U.S. Cl.** ..... **D26/49**

(58) **Field of Classification Search** ..... D26/37,  
D26/38, 39, 40, 48, 45, 46, 49, 50; 362/157,  
362/158, 183, 184, 194–208  
See application file for complete search history.

(56) **References Cited**

**U.S. PATENT DOCUMENTS**

D503,007 S \* 3/2005 Duscha et al. .... D26/49  
D527,481 S \* 8/2006 Opolka ..... D26/49  
D572,395 S \* 7/2008 Guelzow et al. .... D26/49  
D580,080 S \* 11/2008 Ho ..... D26/49  
D596,772 S \* 7/2009 Chang ..... D26/49

D618,838 S \* 6/2010 Smith ..... D26/49  
D624,677 S \* 9/2010 Deguglimo et al. .... D26/49  
D625,447 S \* 10/2010 Brown et al. .... D26/49  
D625,448 S \* 10/2010 Brown et al. .... D26/49

\* cited by examiner

*Primary Examiner*—Charles A Rademaker

*Assistant Examiner*—Carissa C Fitts

(74) *Attorney, Agent, or Firm*—Dan De La Rosa

(57) **CLAIM**

The ornamental design for a flashlight, as shown and described.

**DESCRIPTION**

FIG. 1 is a front perspective view of the flashlight of the present invention showing my new design;

FIG. 2 is a front side elevational view thereof;

FIG. 3 is a back side elevational view thereof;

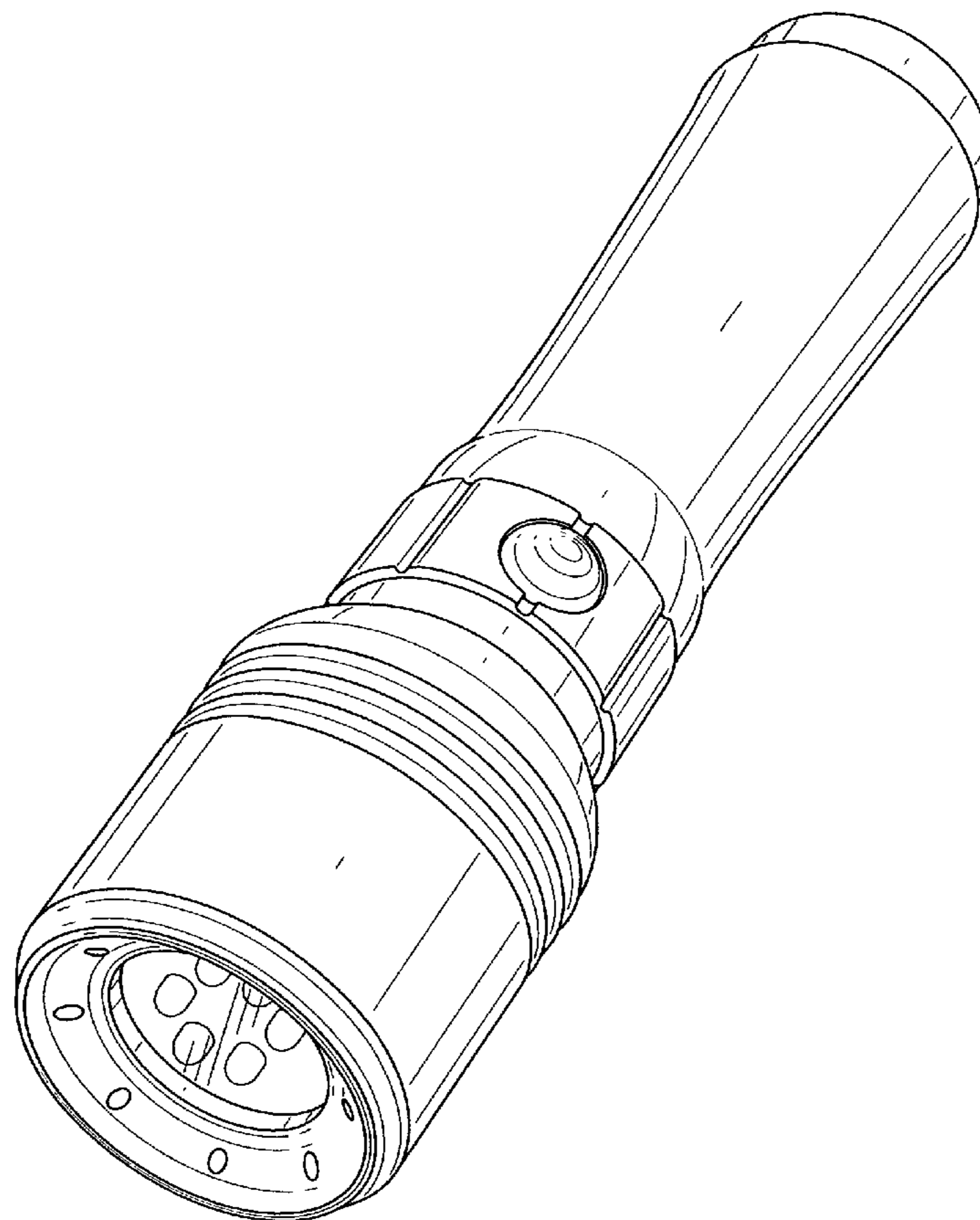
FIG. 4 is a side elevational view thereof;

FIG. 5 is another side elevational view thereof;

FIG. 6 is a top plan view thereof; and,

FIG. 7 is a bottom plan view thereof.

**1 Claim, 6 Drawing Sheets**



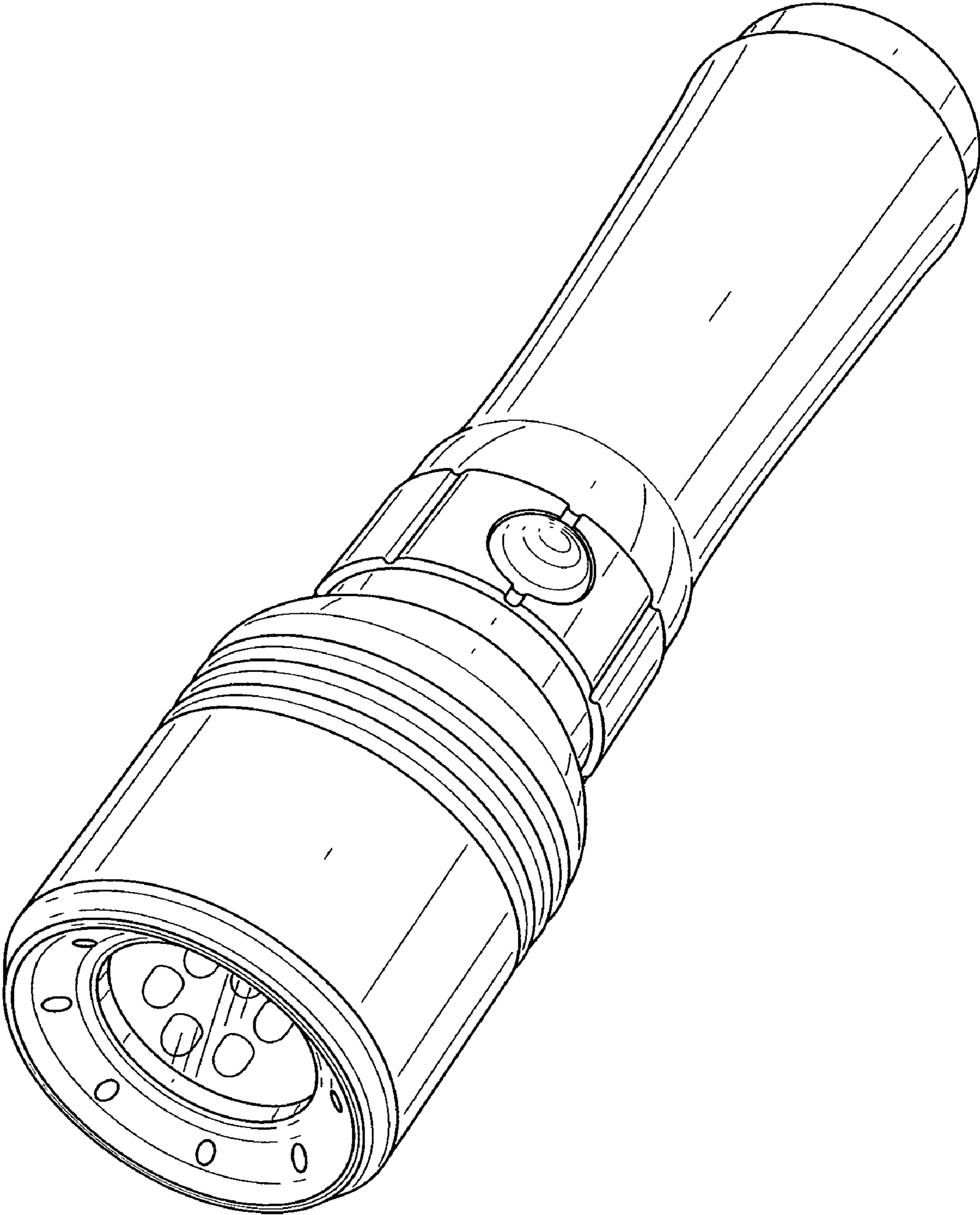


FIG. 1

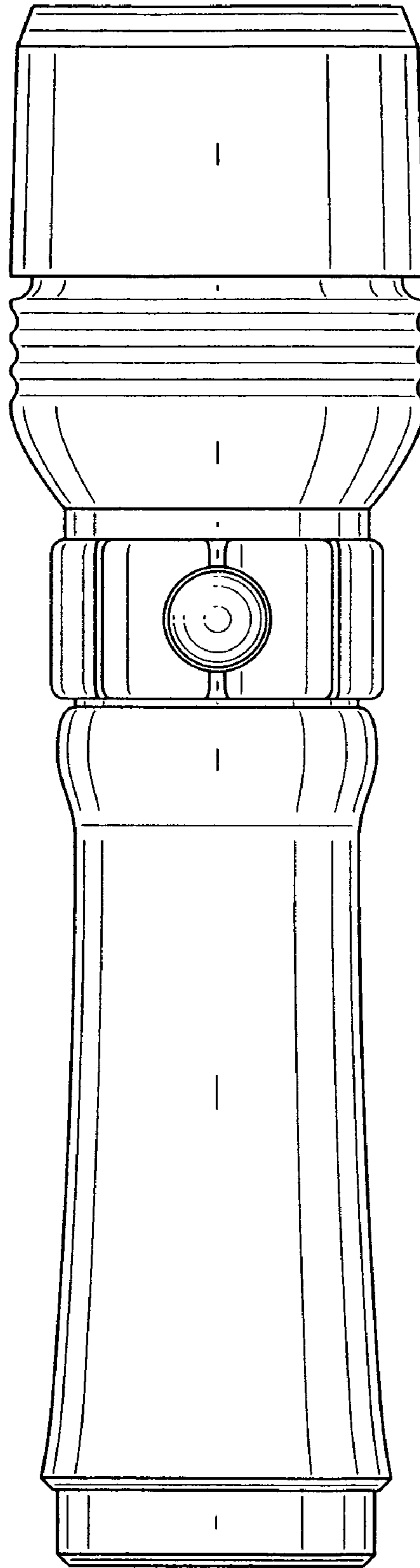


FIG. 2

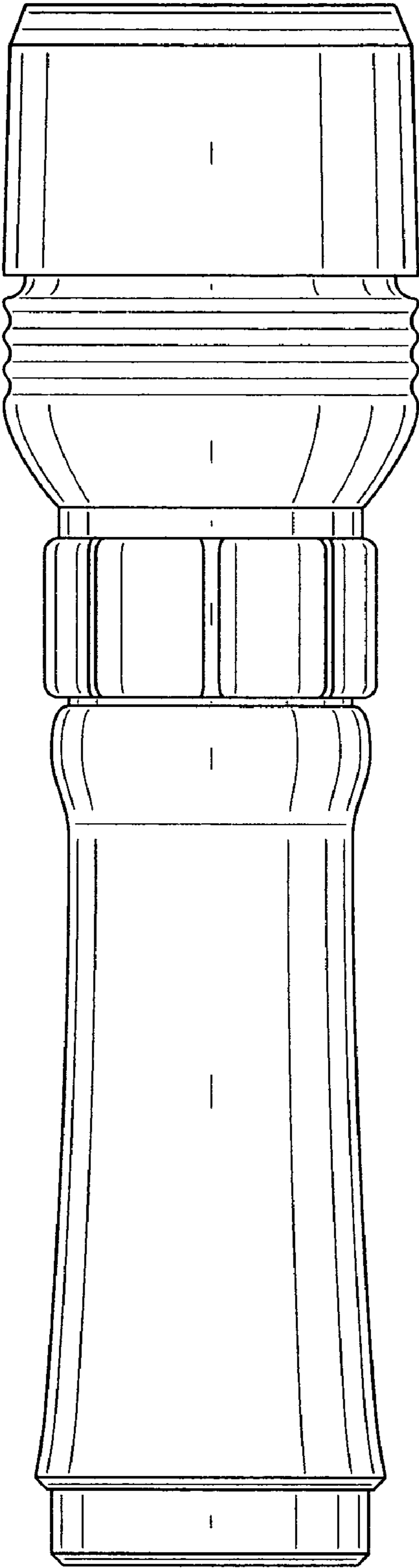


FIG. 3

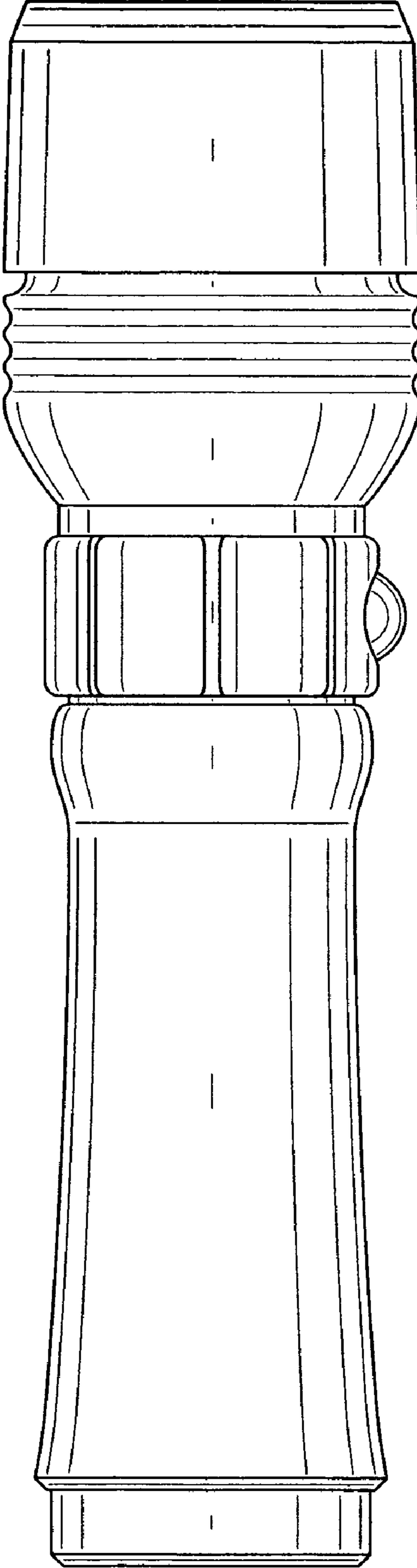


FIG. 4

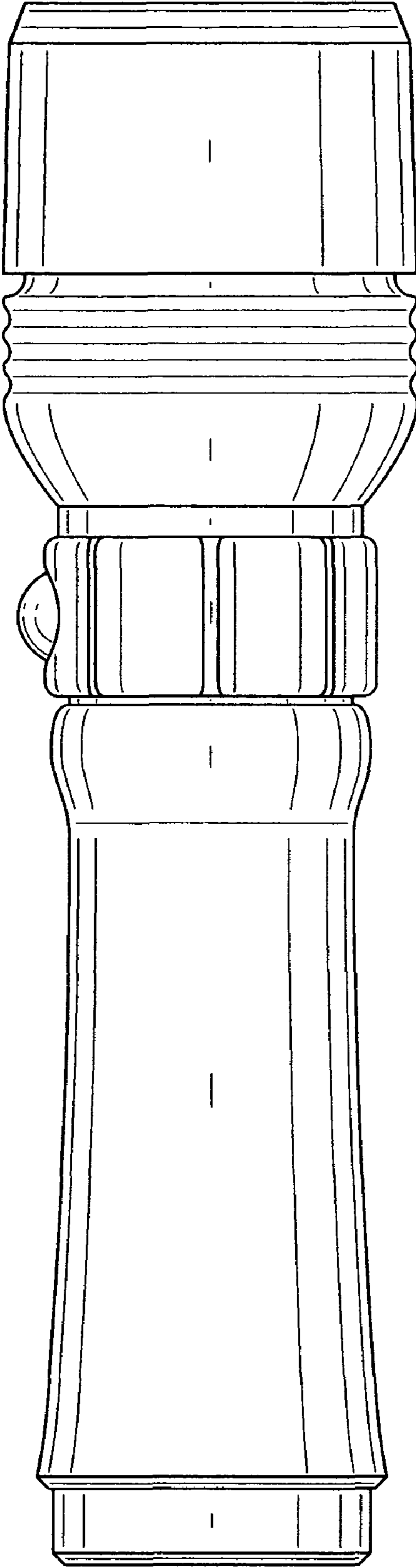


FIG. 5

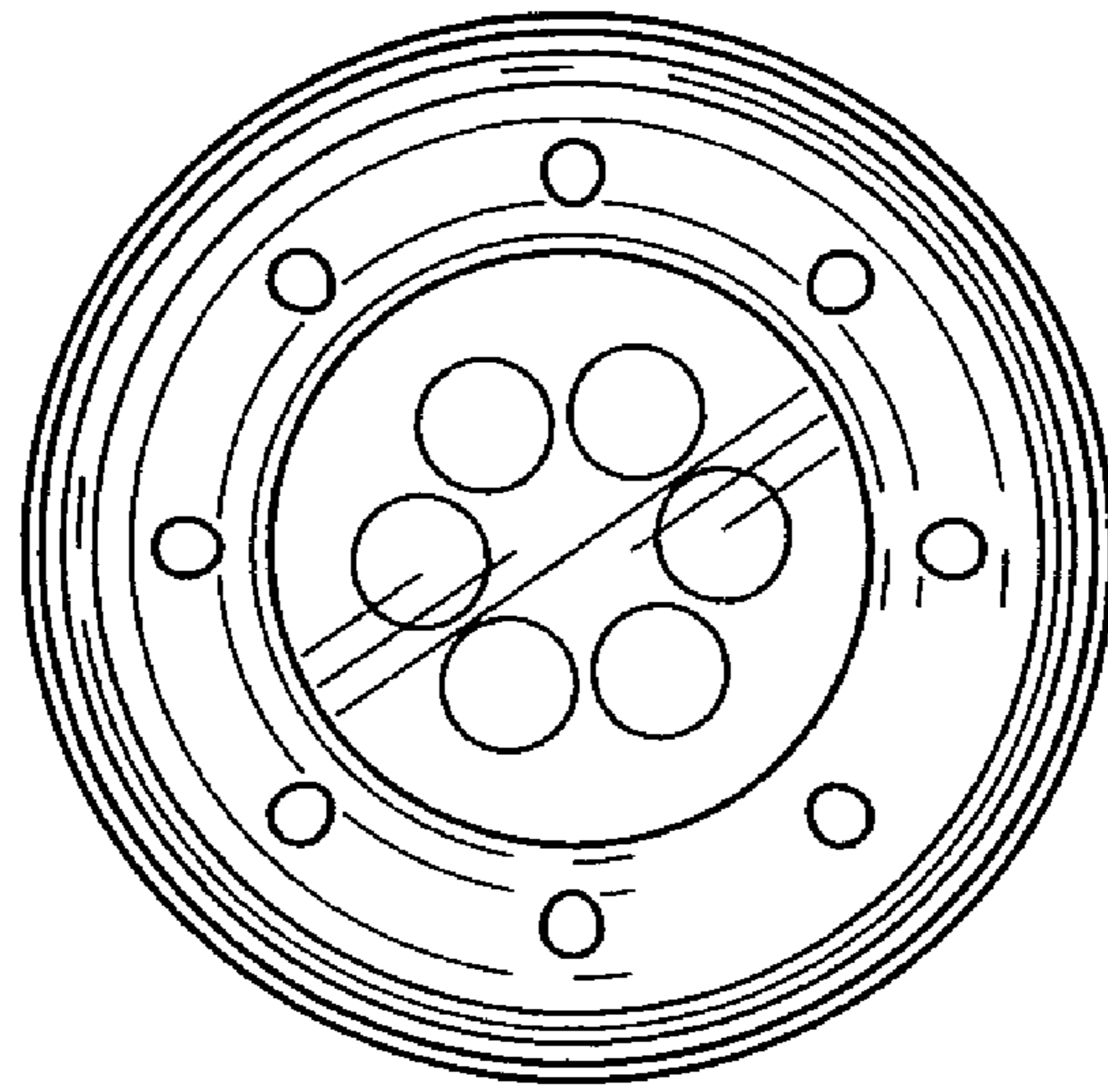


FIG. 6

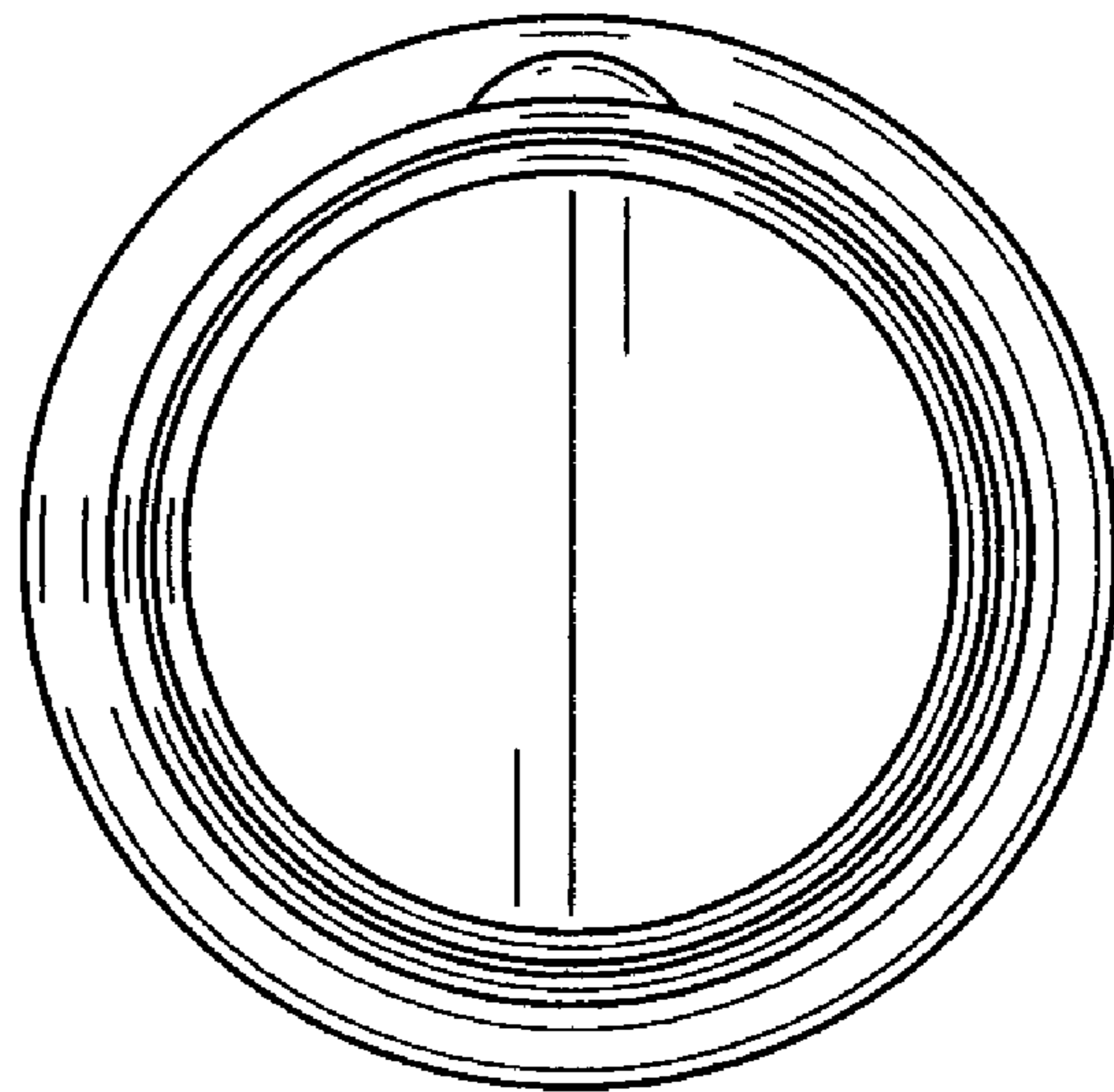


FIG. 7