



US00D629940S

(12) **United States Design Patent**  
**Osterhout**

(10) **Patent No.:** **US D629,940 S**

(45) **Date of Patent:** **\*\* Dec. 28, 2010**

(54) **FLASHLIGHT WITH DISPLAY**

D586,025 S \* 2/2009 Bonis ..... D26/49  
D596,328 S \* 7/2009 Shiu ..... D26/49  
D603,988 S \* 11/2009 Sharrah ..... D26/49

(75) Inventor: **Ralph Osterhout**, San Francisco, CA  
(US)

\* cited by examiner

(73) Assignee: **Osterhout Design Group**, San  
Francisco, CA (US)

*Primary Examiner*—Charles A Rademaker

*Assistant Examiner*—Carissa C Fitts

(\*\*) Term: **14 Years**

(74) *Attorney, Agent, or Firm*—Townsend and Townsend and  
Crew LLP

(21) Appl. No.: **29/314,876**

(57) **CLAIM**

(22) Filed: **May 5, 2009**

The ornamental design for a flashlight with display, as shown  
and described.

(51) **LOC (9) Cl.** ..... **26-02**

(52) **U.S. Cl.** ..... **D26/49; D26/38**

(58) **Field of Classification Search** ..... D26/37,  
D26/38, 48, 49, 46, 50; 362/157, 158, 183,  
362/184, 194–208, 253

See application file for complete search history.

**DESCRIPTION**

FIG. 1 is a perspective view of a flashlight with display  
showing my new design;

FIG. 2 is a front elevational view thereof;

FIG. 3 is a back elevational view thereof;

FIG. 4 is a right side elevational view thereof;

FIG. 5 is a left side elevational view thereof;

FIG. 6 is a bottom plan view thereof; and,

FIG. 7 is a top plan view thereof.

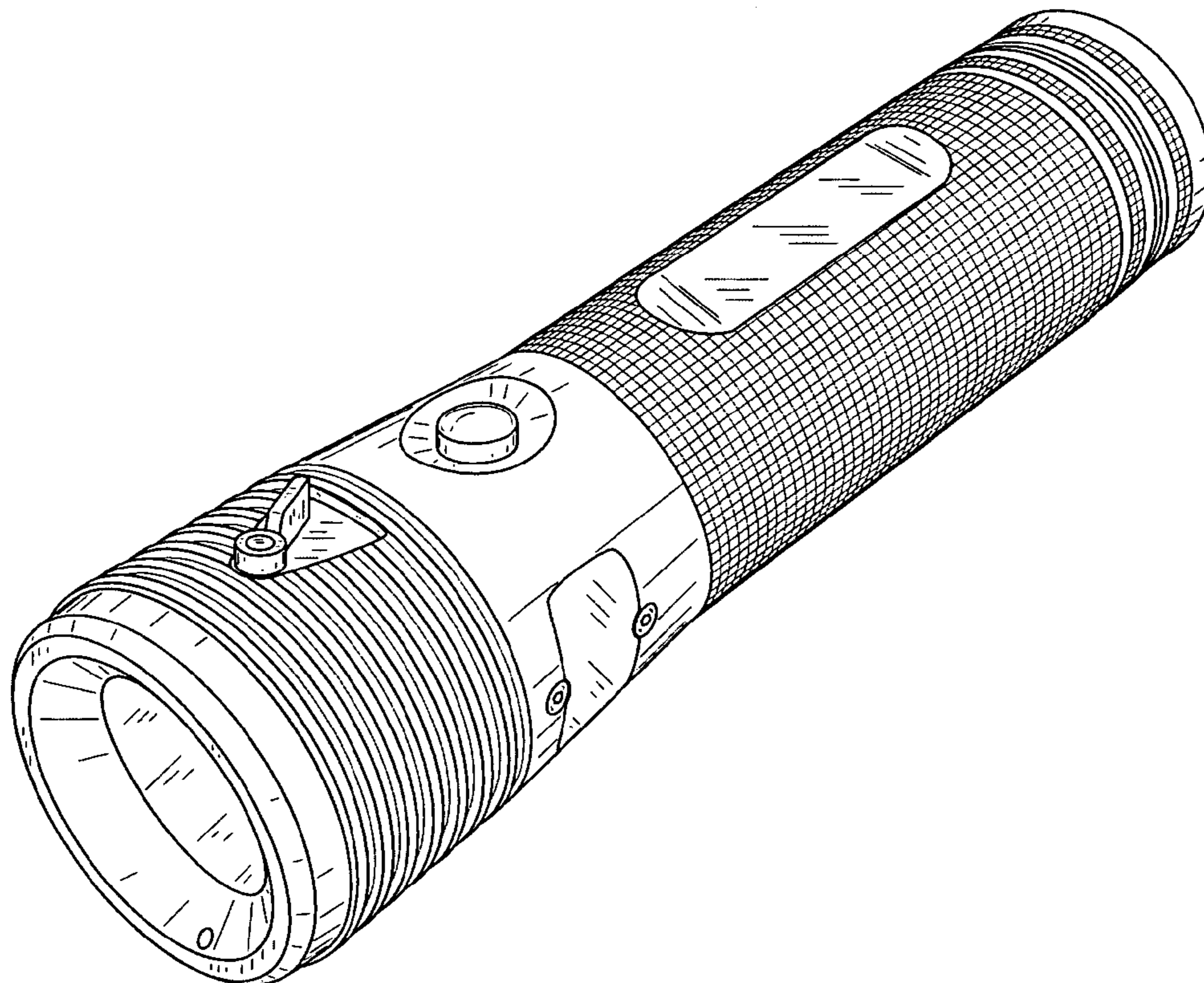
The broken lines shown in the figure drawings illustrate struc-  
ture and form no part of the claimed design.

(56) **References Cited**

U.S. PATENT DOCUMENTS

D195,053 S \* 4/1963 Amoroso ..... D26/49  
D368,147 S \* 3/1996 Bamber et al. .... D26/49  
D488,877 S \* 4/2004 Shin ..... D26/49  
D504,530 S \* 4/2005 Shiu ..... D26/37  
D564,116 S \* 3/2008 Linardos ..... D26/49  
D576,757 S \* 9/2008 Hesse et al. .... D26/49  
D577,845 S \* 9/2008 Shiu ..... D26/49

**1 Claim, 4 Drawing Sheets**



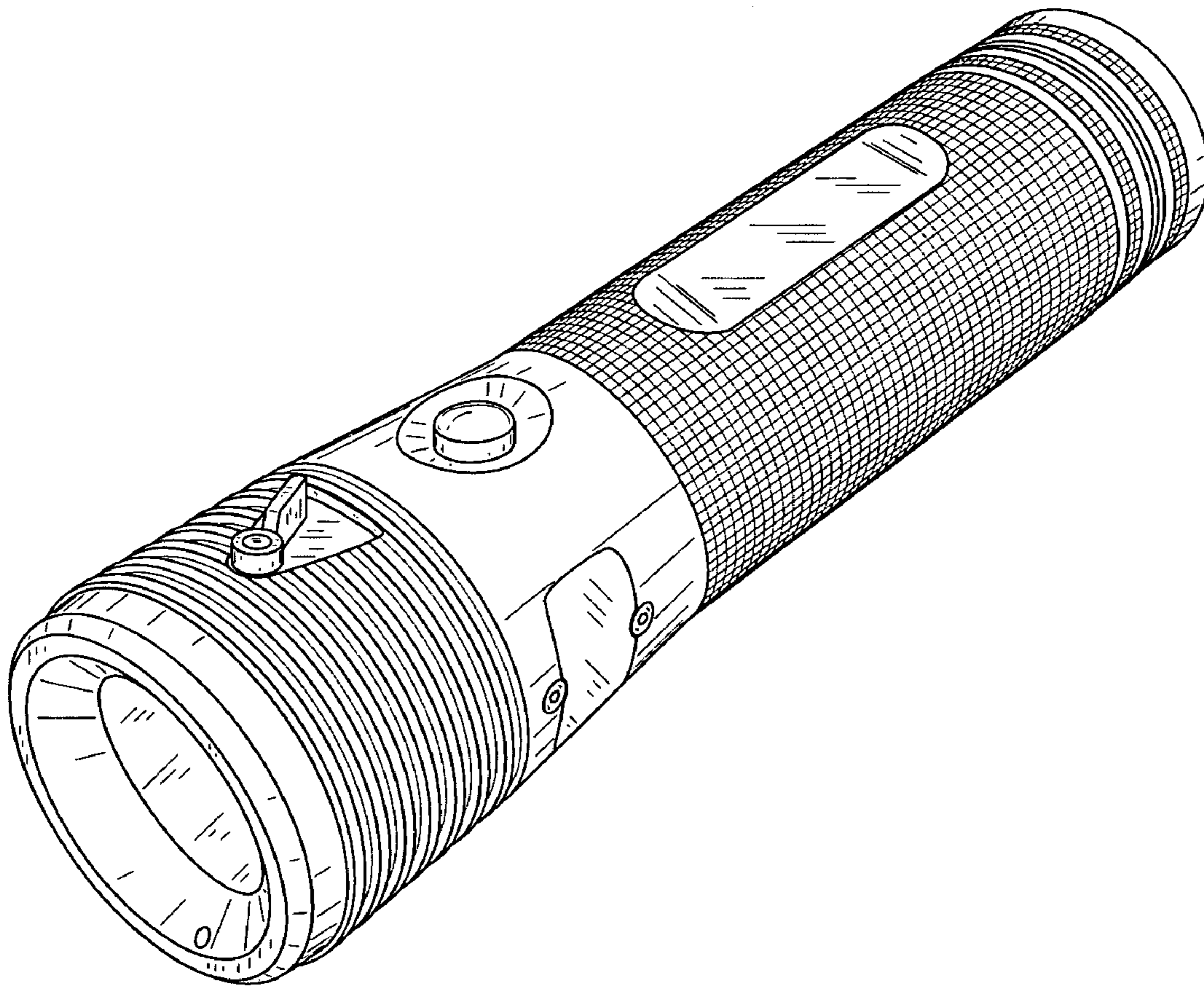


FIG. 1

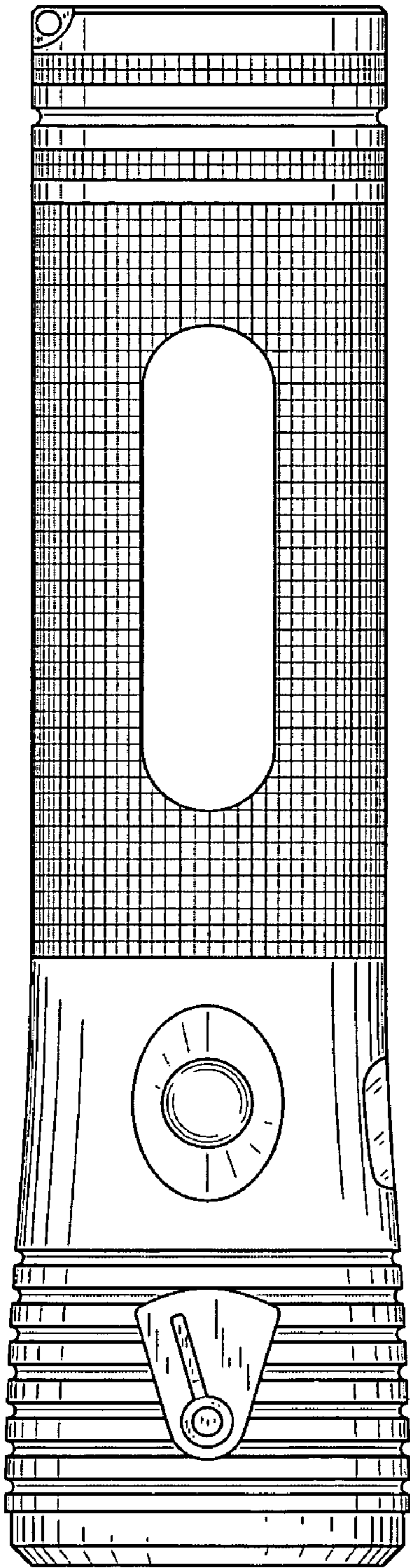


FIG. 2

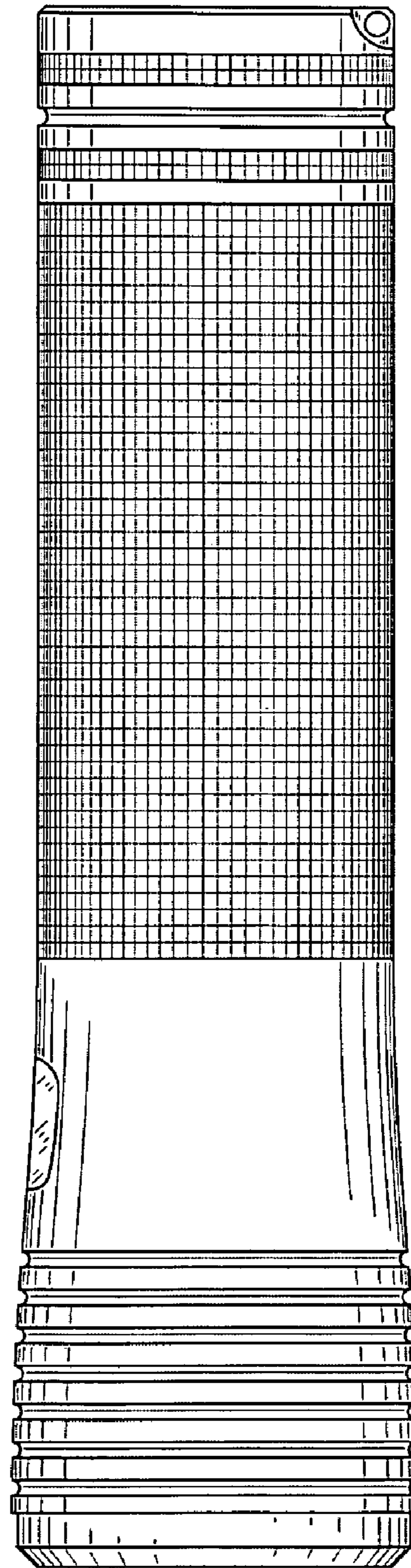


FIG. 3

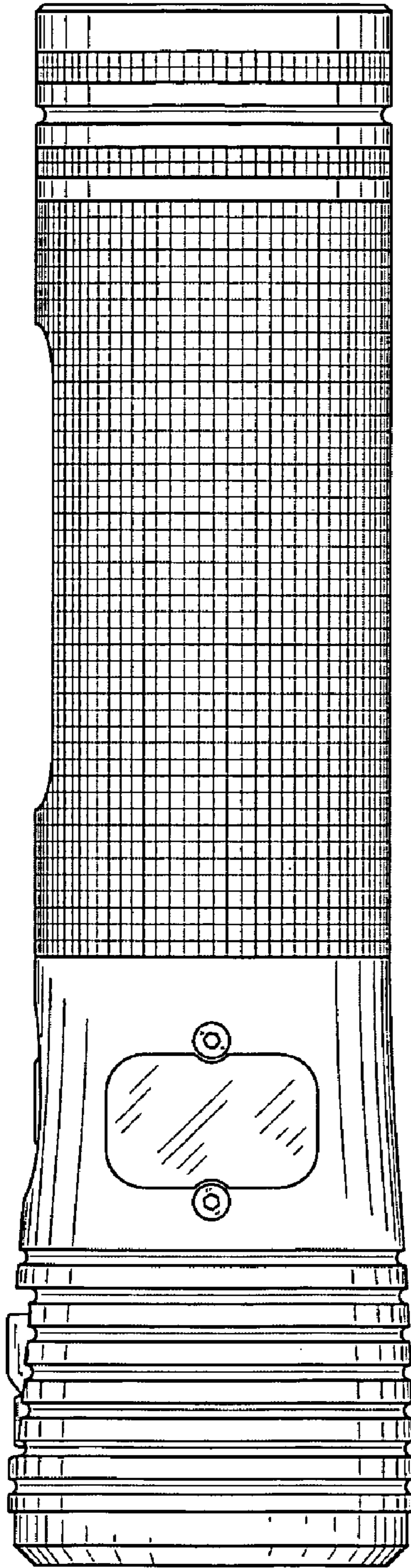


FIG. 4

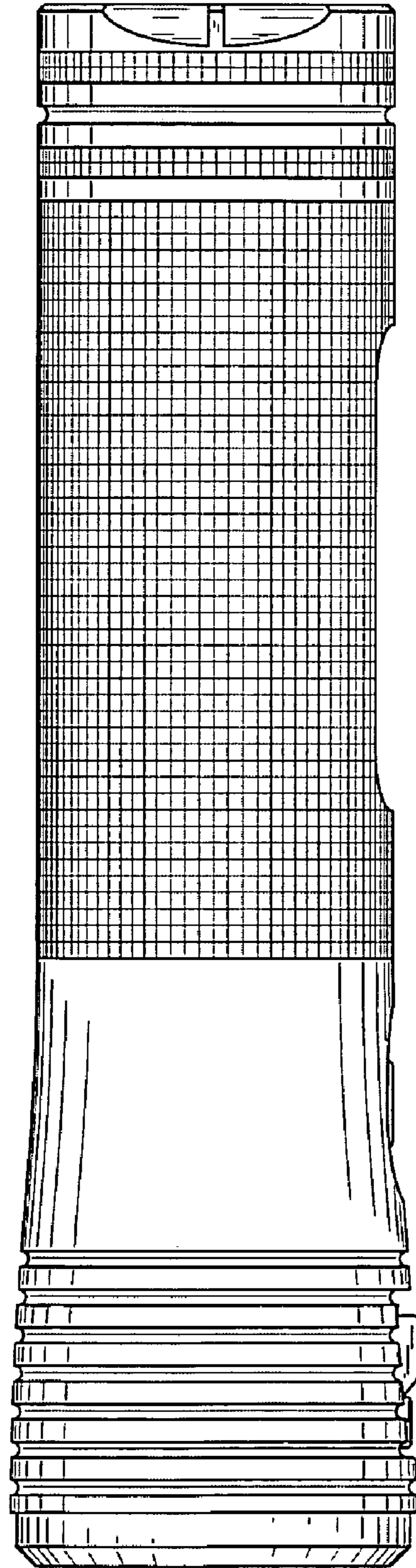
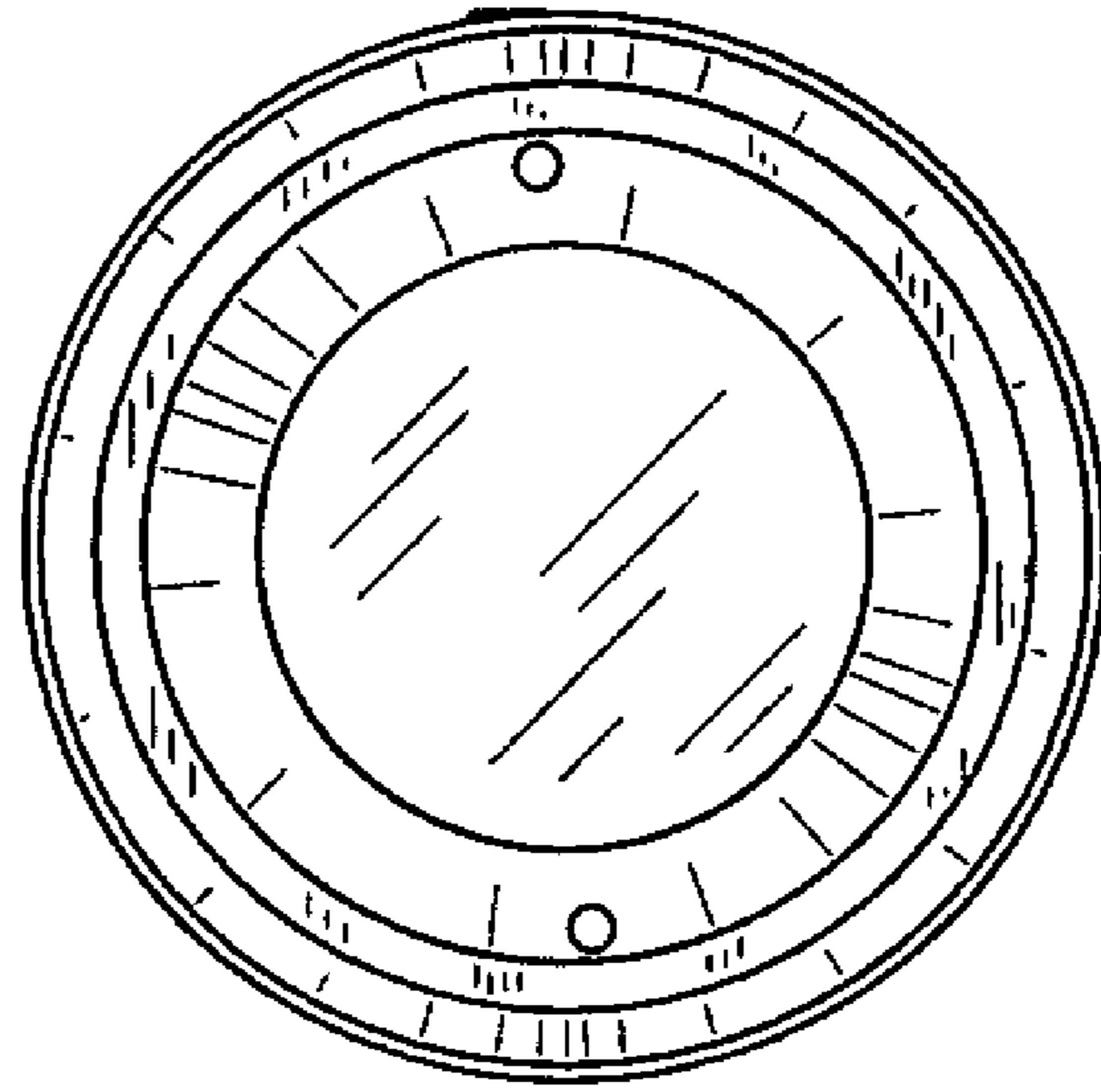
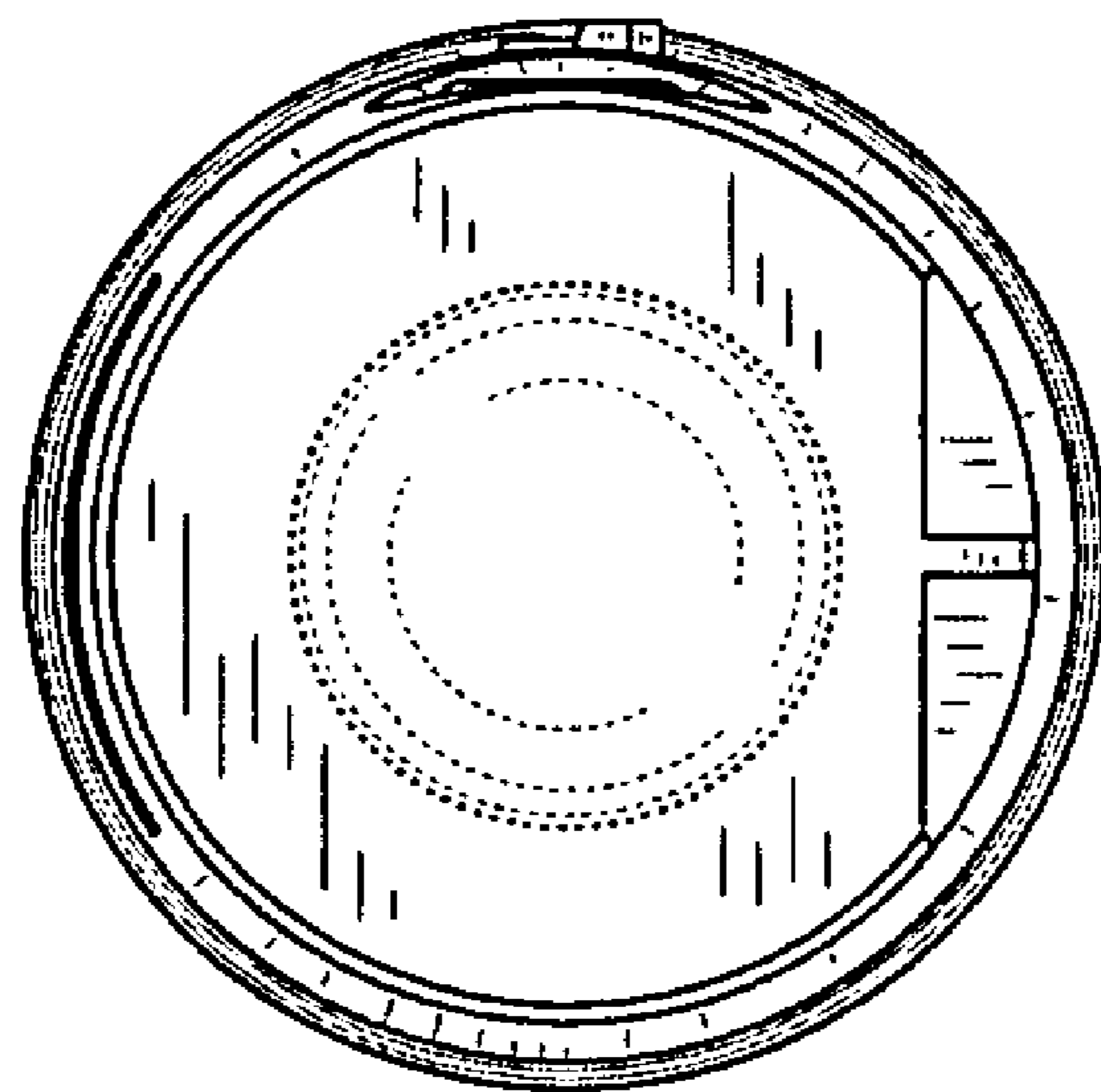


FIG. 5



**FIG. 6**



**FIG. 7**