



US00D629939S

(12) **United States Design Patent**
Yuen

(10) **Patent No.:** **US D629,939 S**
(45) **Date of Patent:** **** Dec. 28, 2010**

(54) **HAND CRANK RECHARGEABLE LED SPOTLIGHT**

(76) Inventor: **Se Kit Yuen**, 6/F, Yau Lee Centre, 45 Hoi Yuen Road, Kwun Tong, Kowloon, Hong Kong (CN)

(**) Term: **14 Years**

(21) Appl. No.: **29/358,015**

(22) Filed: **Mar. 22, 2010**

(51) **LOC (9) Cl.** **26-02**

(52) **U.S. Cl.** **D26/45; D26/48**

(58) **Field of Classification Search** D26/37, D26/38, 39, 44, 45, 46, 48, 49, 51; 362/157, 362/158, 183, 184, 187, 190, 194–197, 198, 362/202–208, 192, 193

See application file for complete search history.

(56) **References Cited**

U.S. PATENT DOCUMENTS

D520,165 S *	5/2006	Yuen	D26/46
D531,336 S *	10/2006	Yuen	D26/46
D533,673 S *	12/2006	Yuen	D26/46
D534,290 S *	12/2006	Yuen	D26/46
D537,184 S *	2/2007	Yuen	D26/46
D538,958 S *	3/2007	Yuen	D26/46

D544,122 S *	6/2007	Yuen	D26/46
D548,866 S *	8/2007	Yuen	D26/46
D553,280 S *	10/2007	Krieger et al.	D26/44
D566,870 S *	4/2008	Yuen	D26/48
2006/0028812 A1 *	2/2006	Yuen	362/184

* cited by examiner

Primary Examiner—Charles A Rademaker
Assistant Examiner—Carissa C Fitts

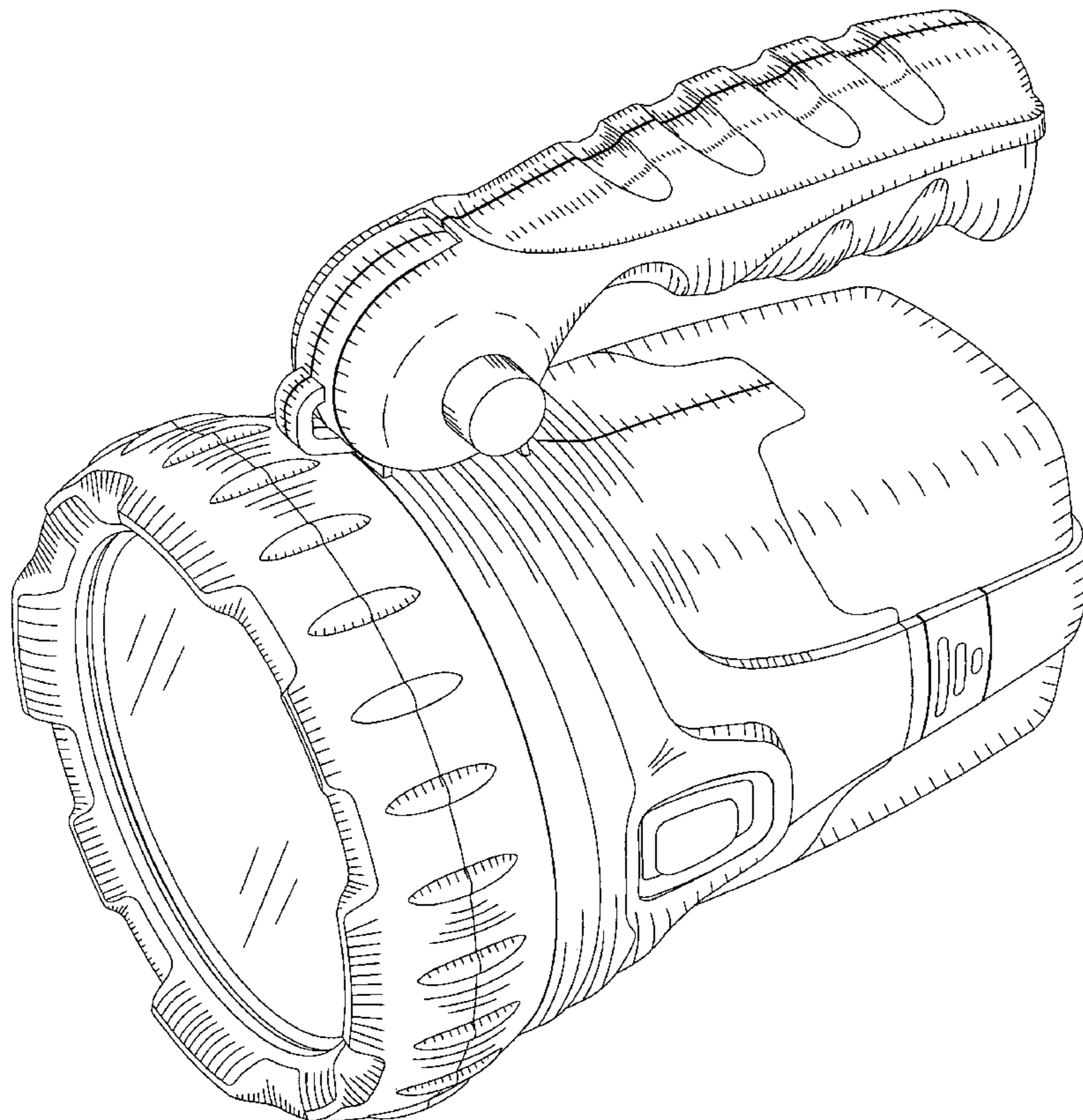
(57) **CLAIM**

The ornamental design for a hand crank rechargeable LED spotlight, as shown.

DESCRIPTION

FIG. 1 is a front view showing my new design.
FIG. 2 is a side view thereof.
FIG. 3 is a rear view thereof.
FIG. 4 is another side view thereof.
FIG. 5 is a top view thereof.
FIG. 6 is an underneath view thereof.
FIG. 7 is an isometric view thereof; and,
FIG. 8 is another isometric view thereof.

1 Claim, 8 Drawing Sheets



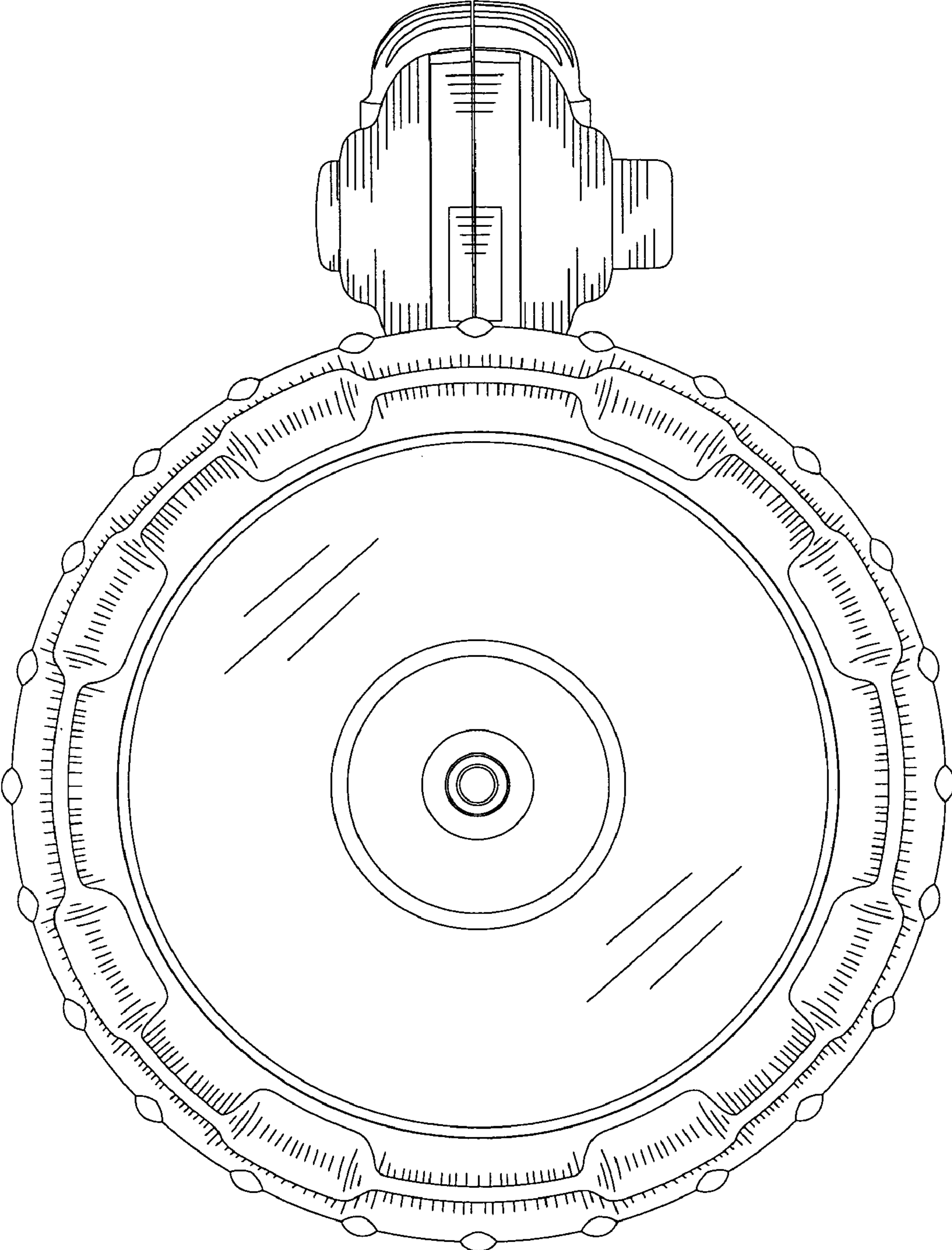


Fig. 1

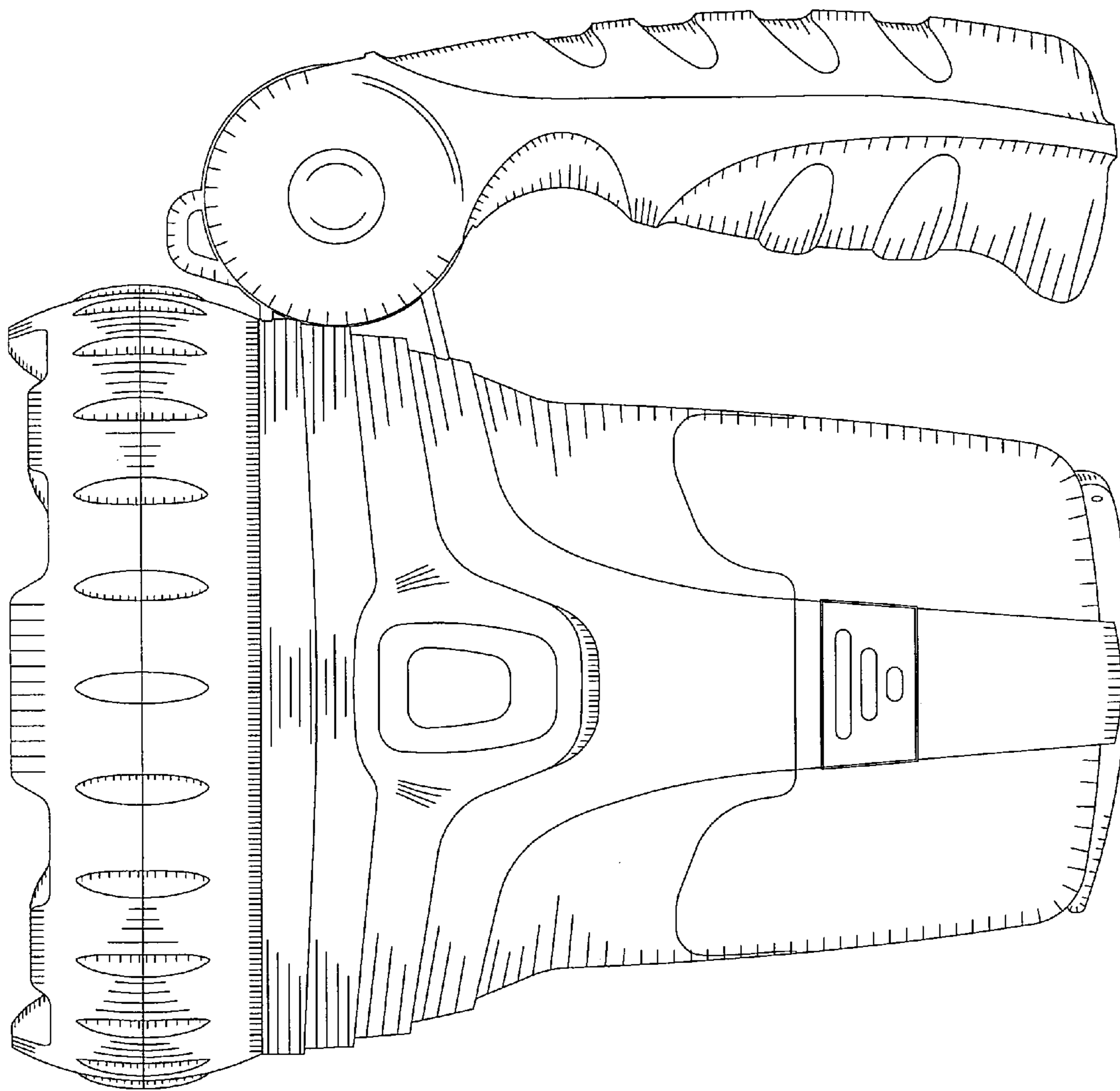


Fig. 2

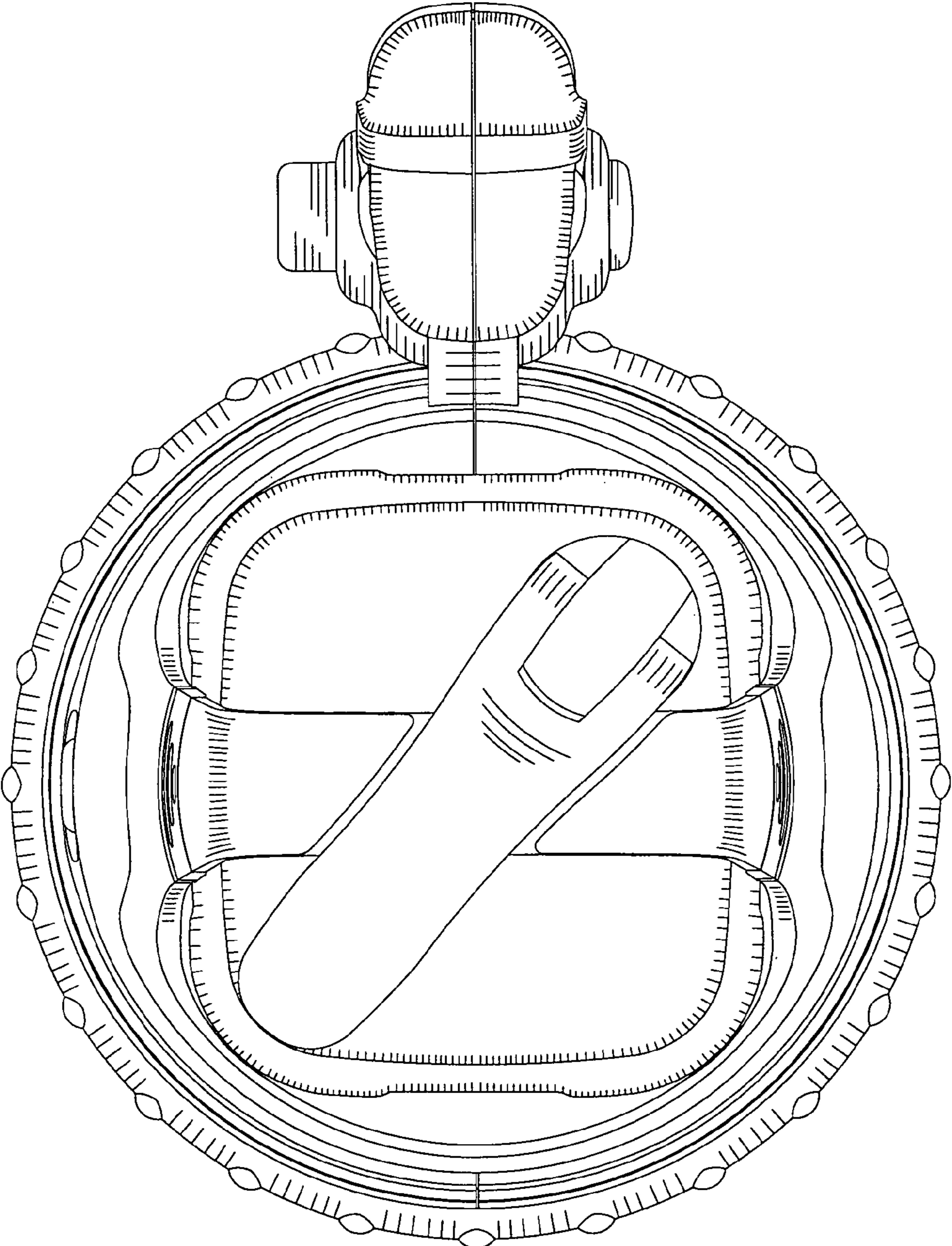


Fig. 3

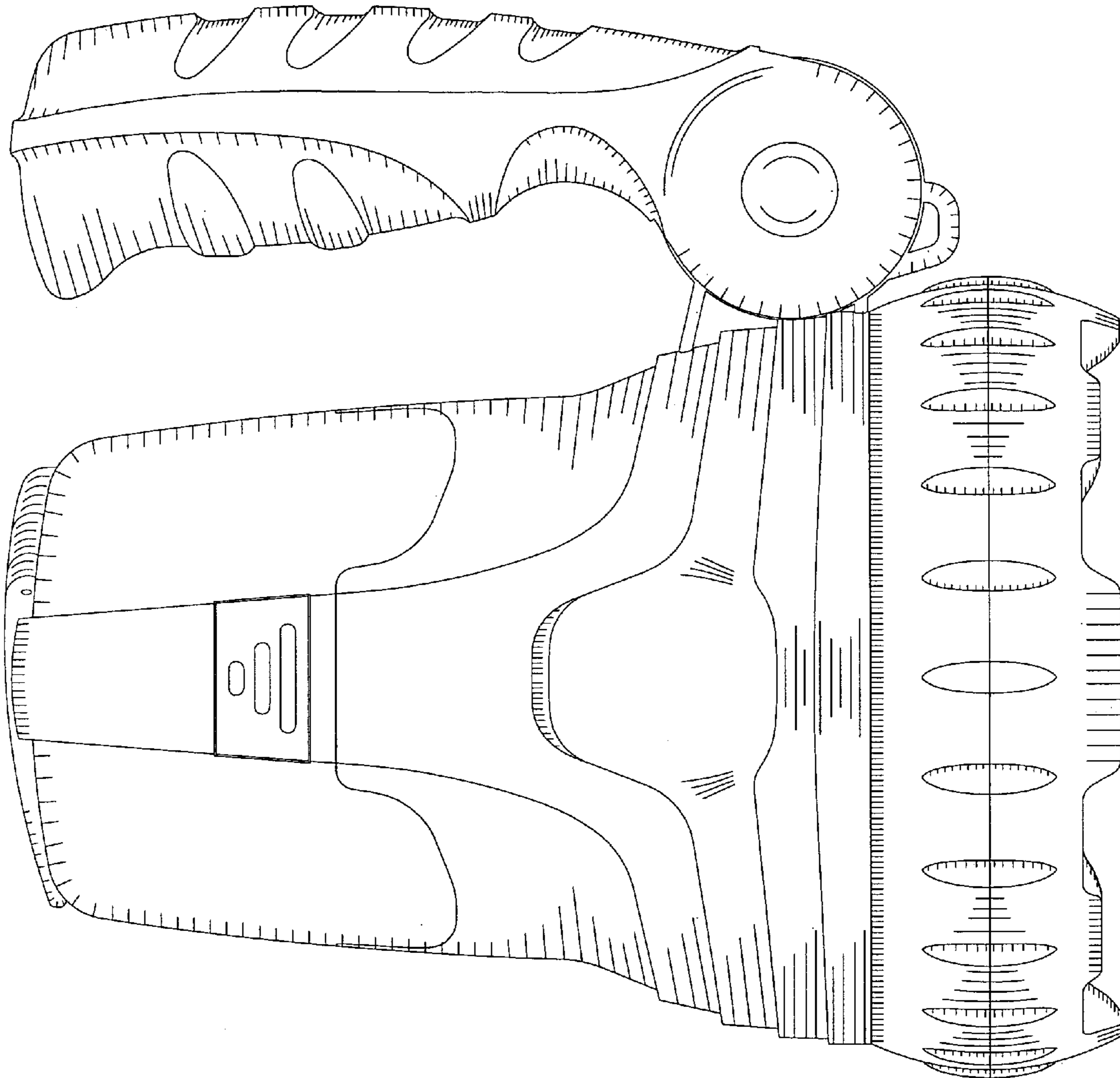


Fig. 4

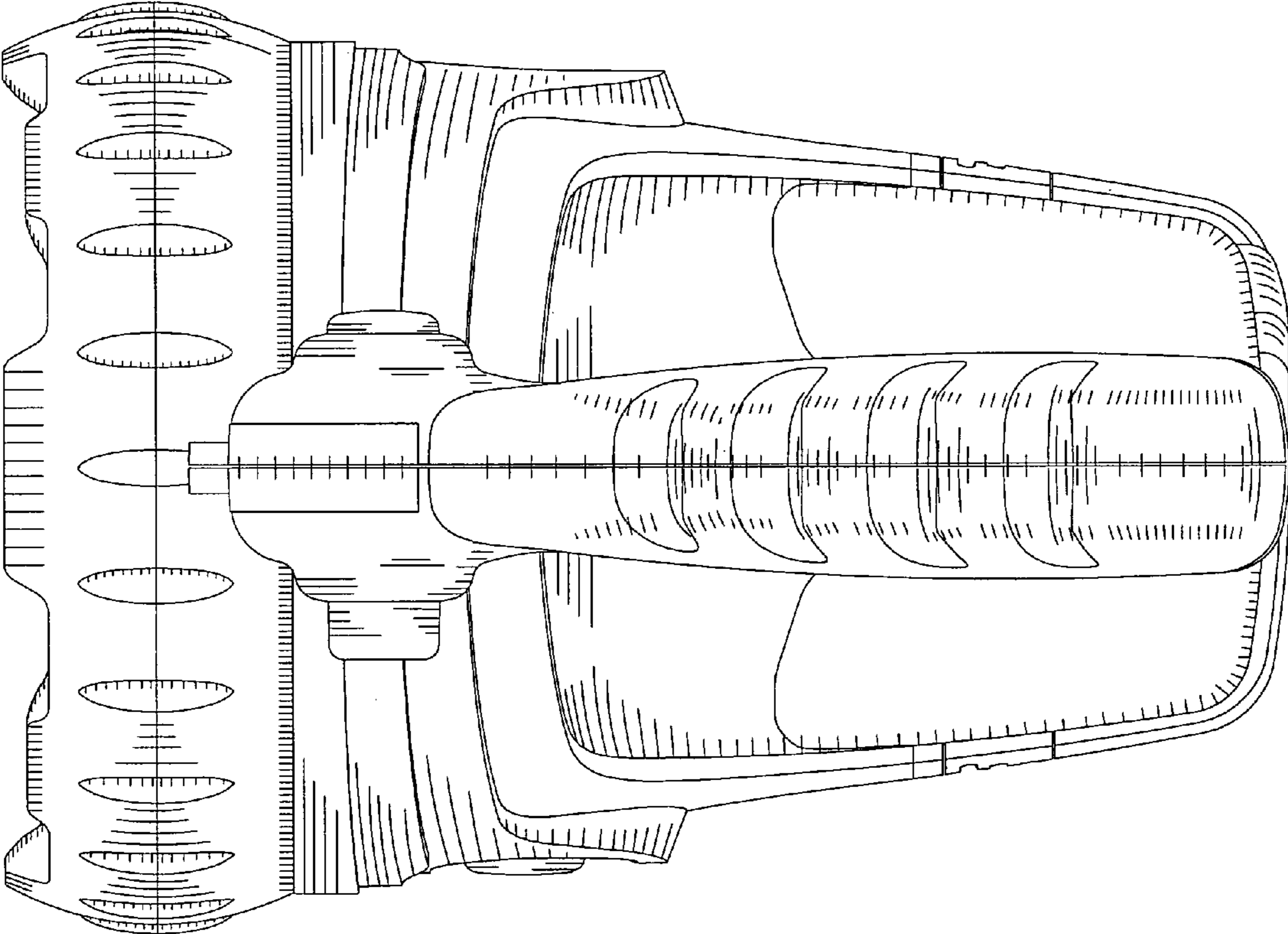


Fig. 5

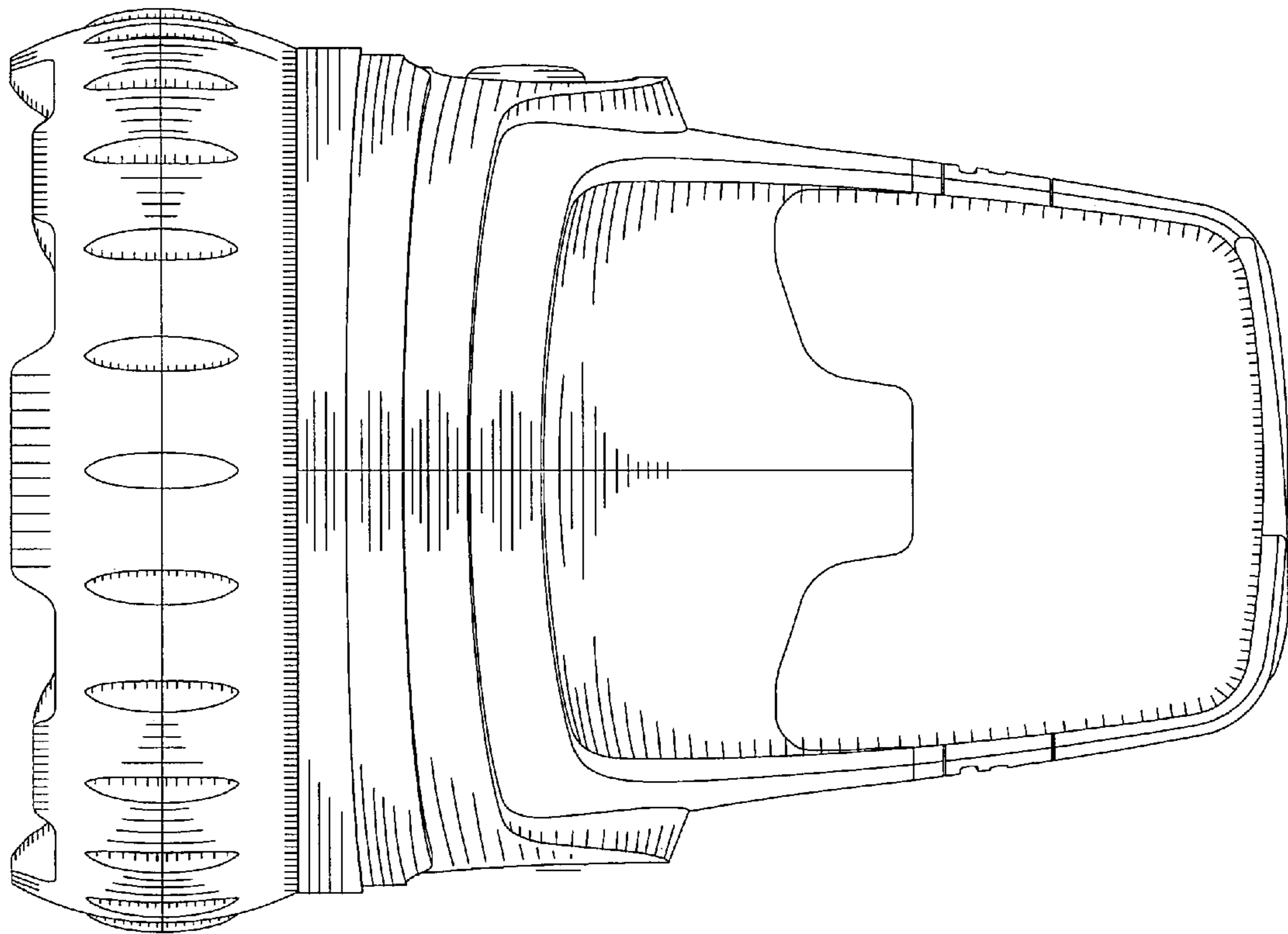


Fig. 6

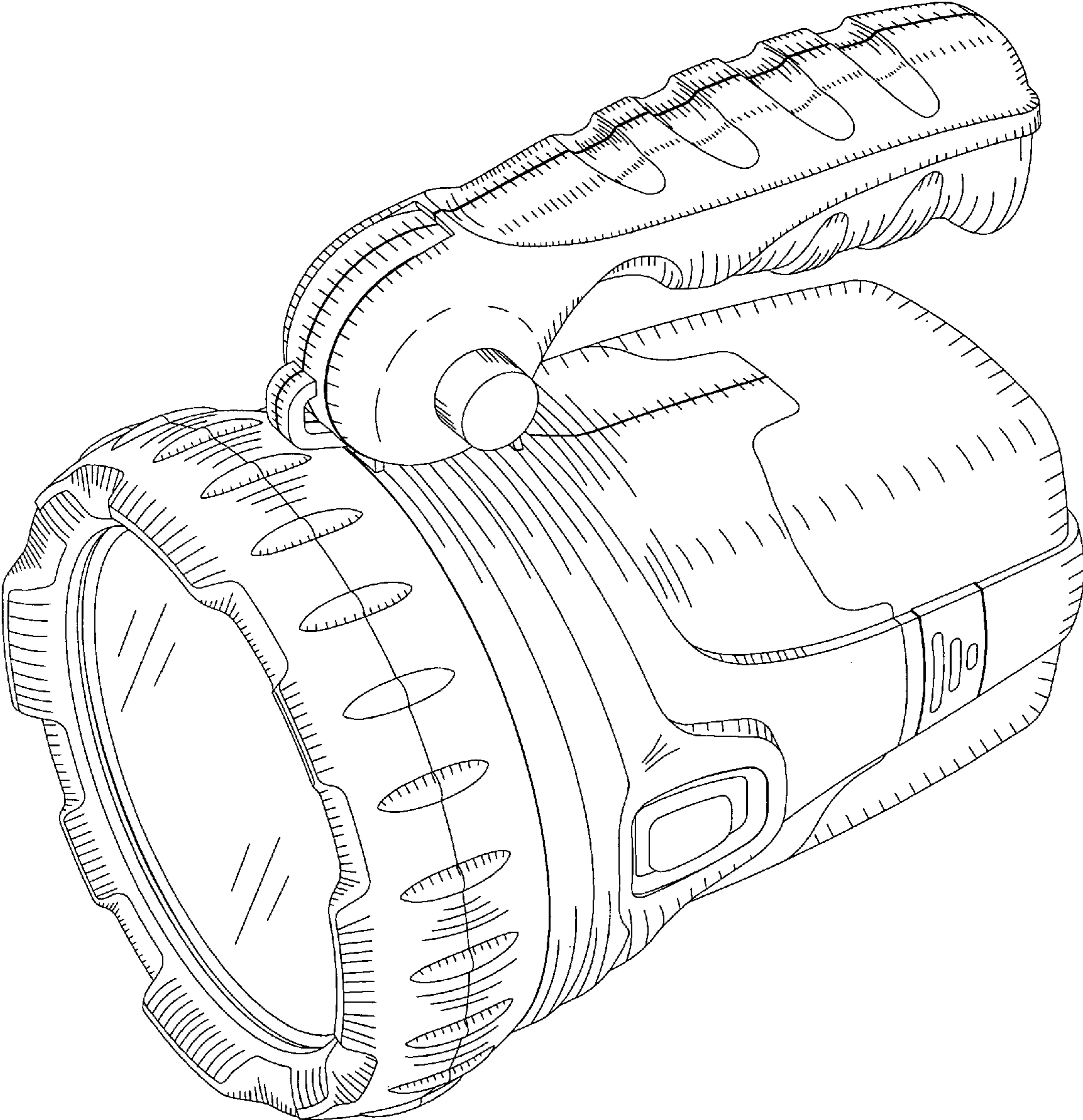


Fig. 7

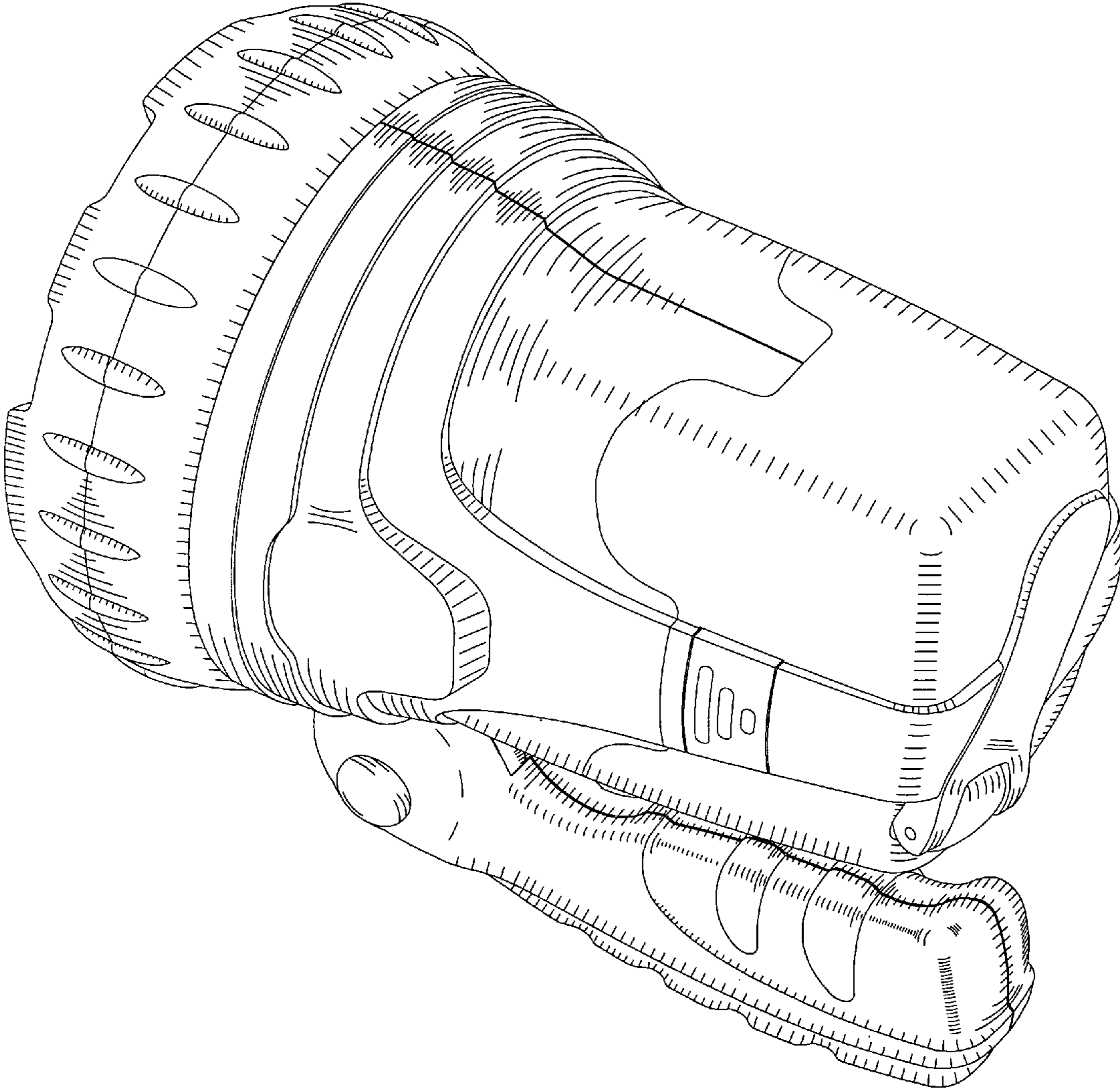


Fig. 8