



US00D629938S

(12) **United States Design Patent**
Yuen

(10) **Patent No.:** **US D629,938 S**

(45) **Date of Patent:** **** Dec. 28, 2010**

(54) **RECHARGEABLE LED SPOTLIGHT**

(76) Inventor: **Se Kit Yuen**, 6/F., Yau Lee Centre, 45
Hoi Yuen Road, Kwun Tong, Hong
Kong, SAR (CN)

(**) Term: **14 Years**

(21) Appl. No.: **29/348,857**

(22) Filed: **Feb. 16, 2010**

(51) **LOC (9) Cl.** **26-02**

(52) **U.S. Cl.** **D26/45; D26/50**

(58) **Field of Classification Search** D26/37,
D26/38, 39, 44, 45, 46, 49, 51; 362/157,
362/158, 183, 184, 187, 190, 194-197, 198,
362/202-208

See application file for complete search history.

(56) **References Cited**

U.S. PATENT DOCUMENTS

D277,414 S *	1/1985	Parker et al.	D26/45
D278,084 S *	3/1985	Parker et al.	D26/45
D282,873 S *	3/1986	May et al.	D26/45
D301,752 S *	6/1989	Osterhout	D26/45
D430,726 S *	9/2000	Burbrink	D3/13
D440,333 S *	4/2001	Yuen	D26/37
D450,146 S *	11/2001	Yuen	D26/45
D451,222 S *	11/2001	Poon	D26/45

D507,066 S *	7/2005	Smith	D26/45
D518,214 S *	3/2006	Krieger et al.	D26/45
D525,735 S *	7/2006	Krieger et al.	D26/45
D532,136 S *	11/2006	Krieger et al.	D26/45
D561,923 S *	2/2008	Hsu	D26/45
D587,831 S *	3/2009	Moser	D26/45

* cited by examiner

Primary Examiner—Charles A Rademaker

Assistant Examiner—Carissa C Fitts

(57) **CLAIM**

The ornamental design for a rechargeable LED spotlight, as shown.

DESCRIPTION

FIG. 1 is a front view showing my new design.

FIG. 2 is a left view thereof.

FIG. 3 is a rear view thereof.

FIG. 4 is a right view thereof.

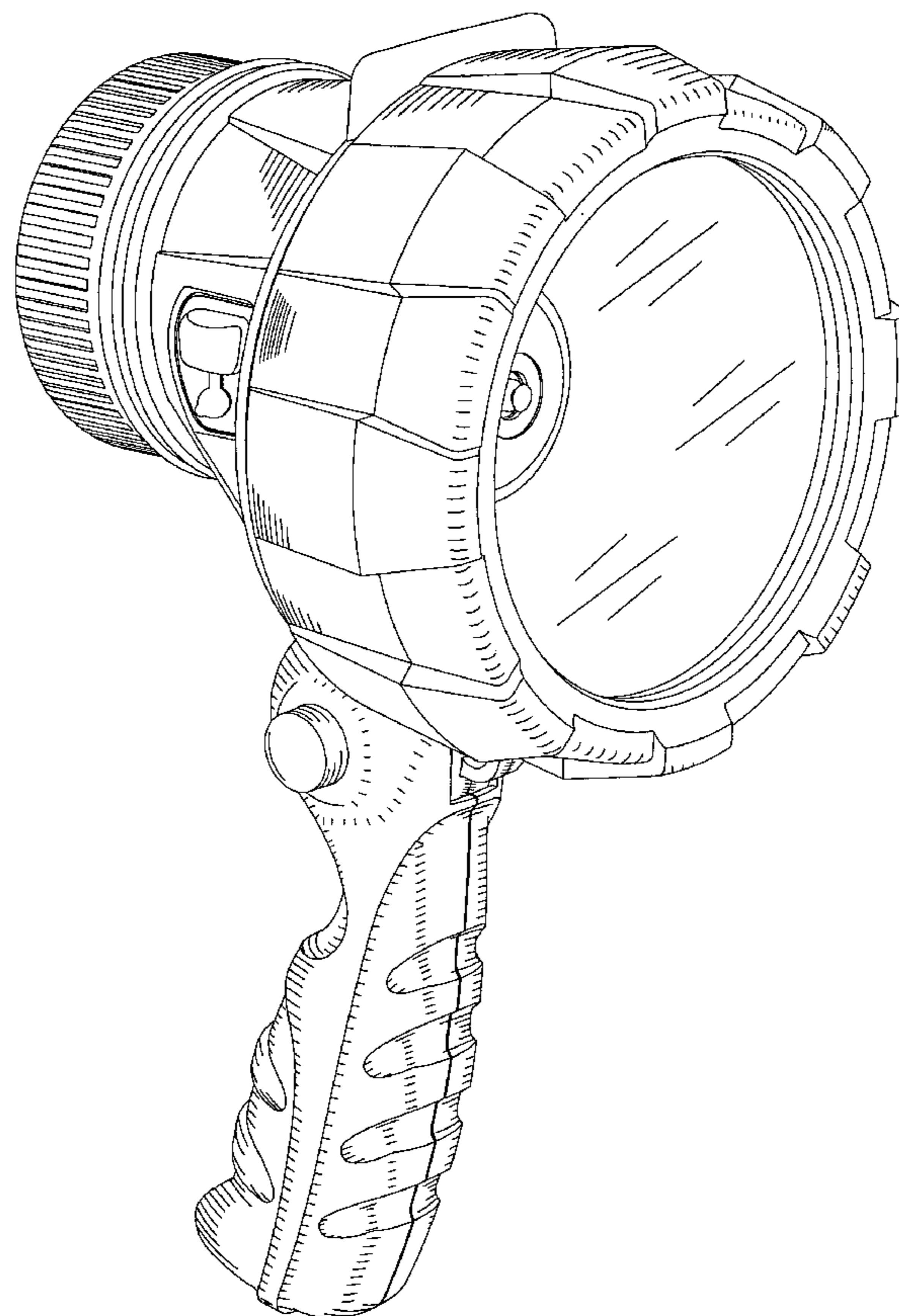
FIG. 5 is a top view thereof.

FIG. 6 is an underneath view thereof.

FIG. 7 is a front isometric view thereof; and,

FIG. 8 is a rear isometric view thereof.

1 Claim, 8 Drawing Sheets



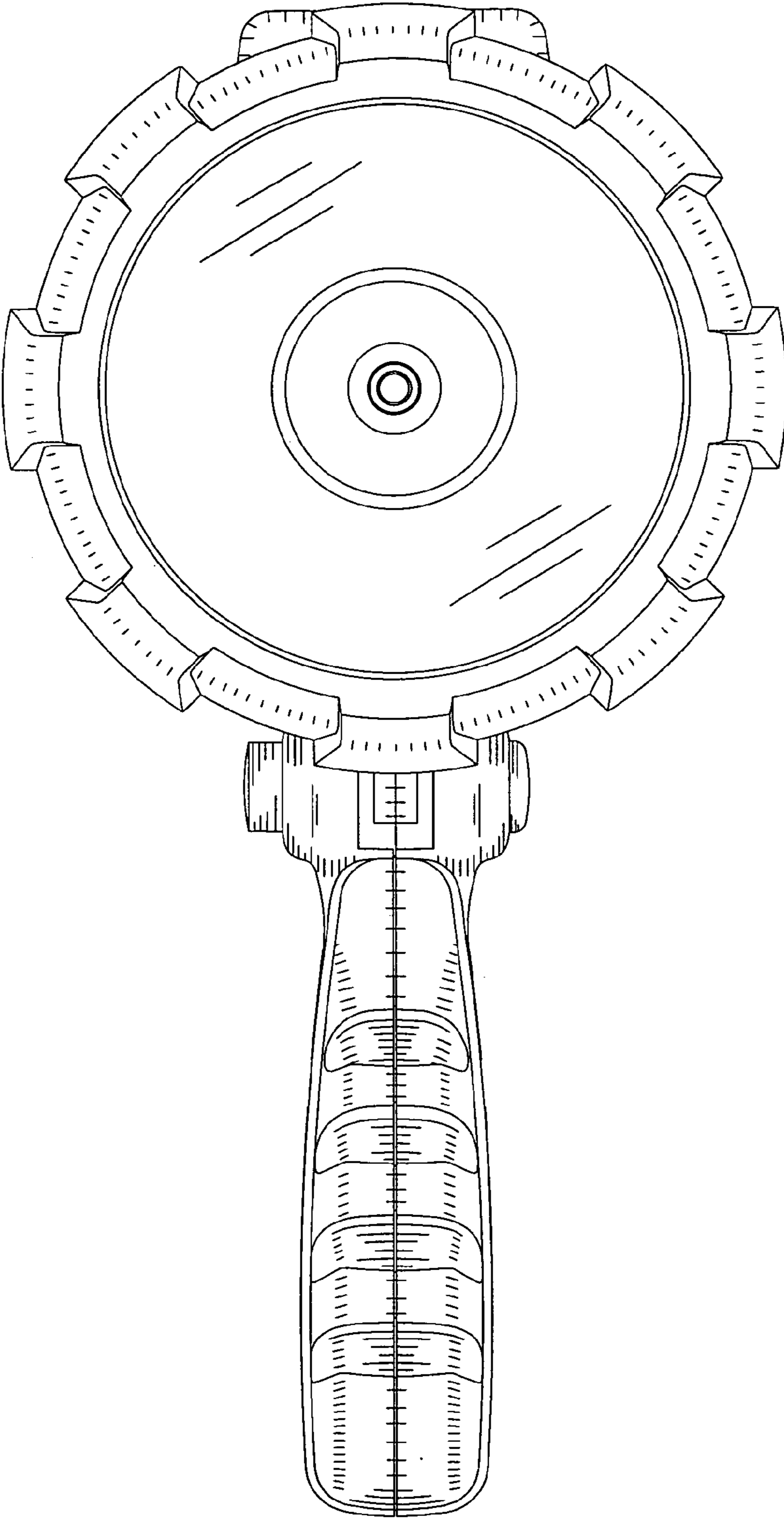


Fig. 1

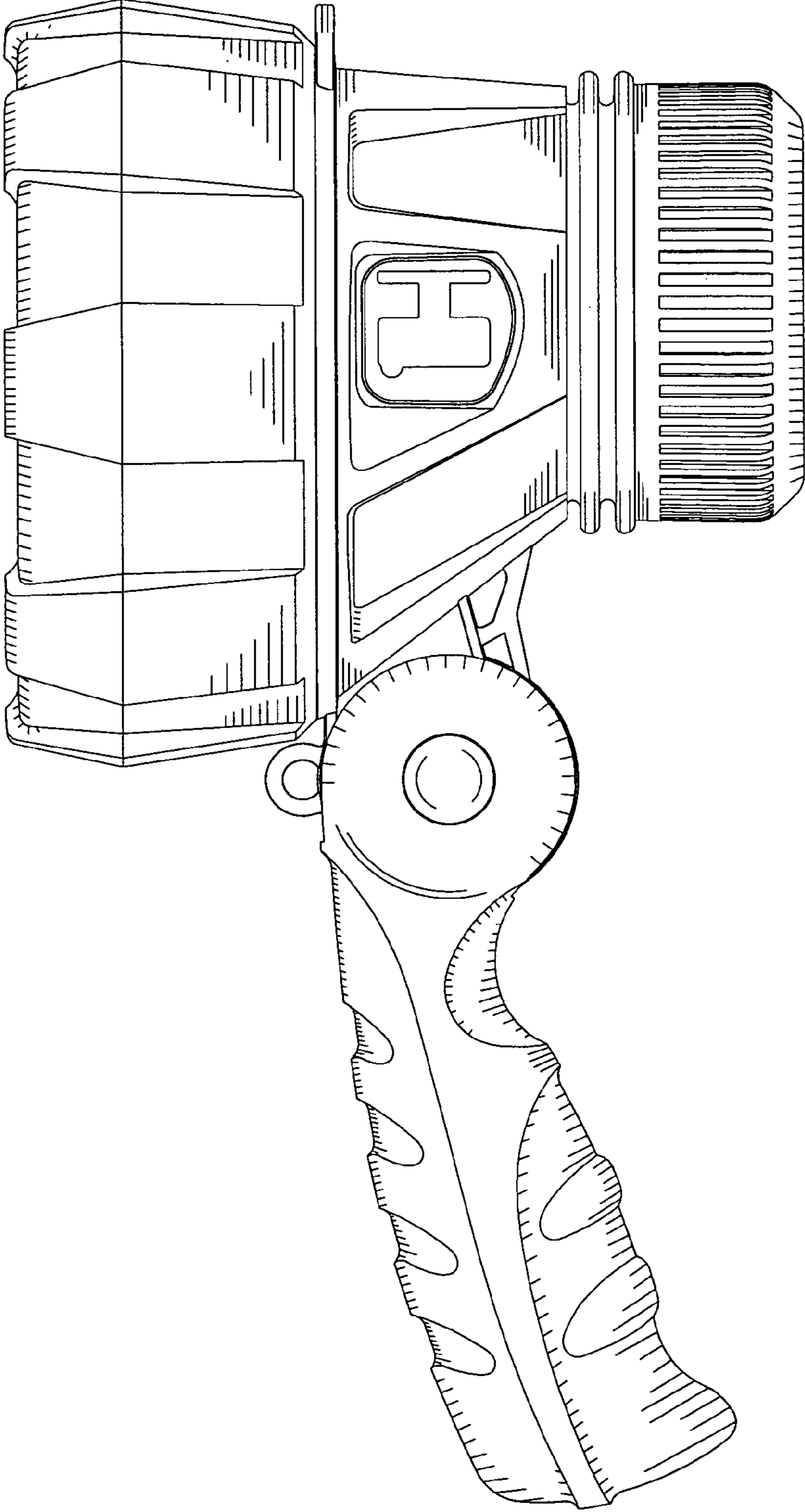


Fig. 2

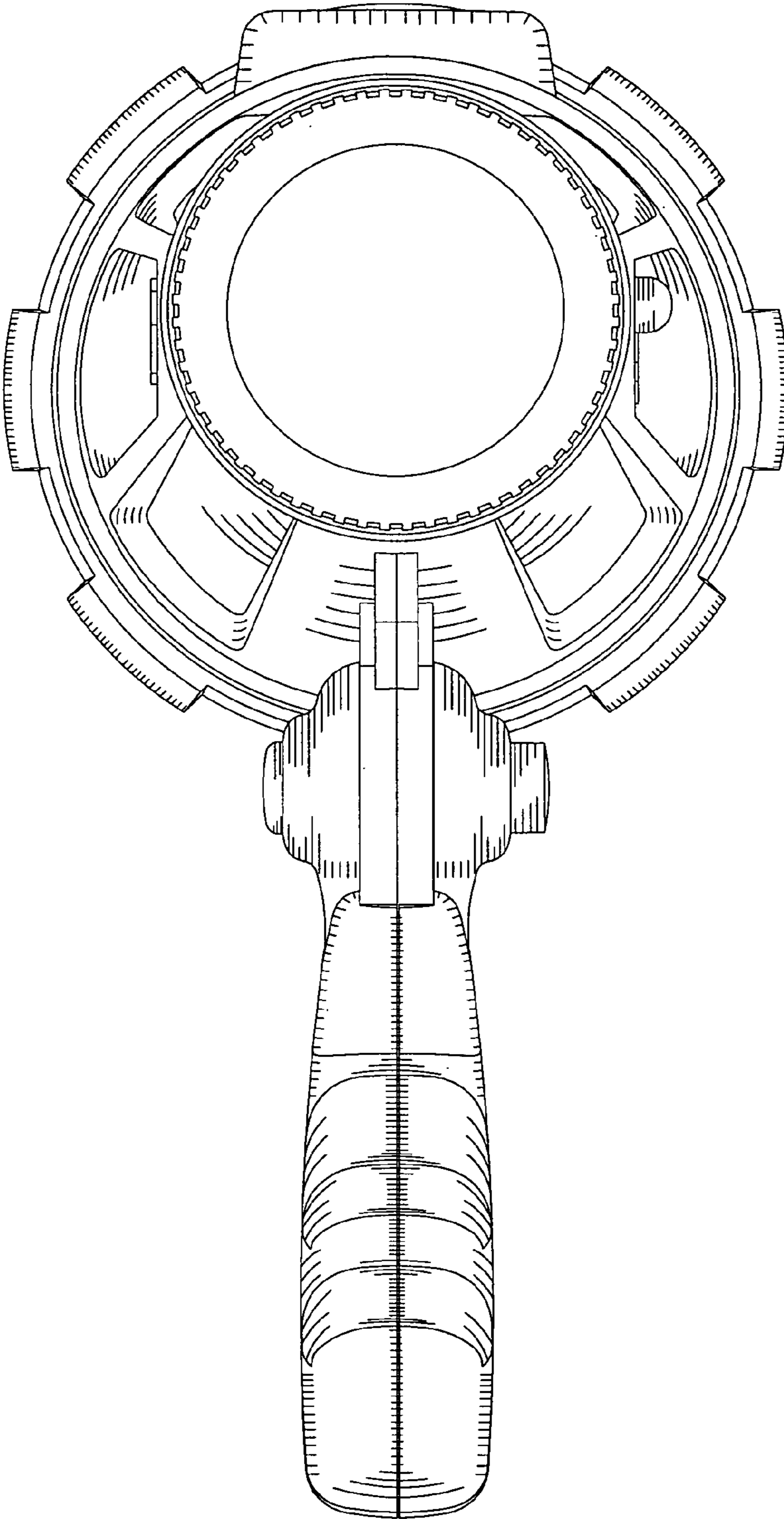


Fig. 3

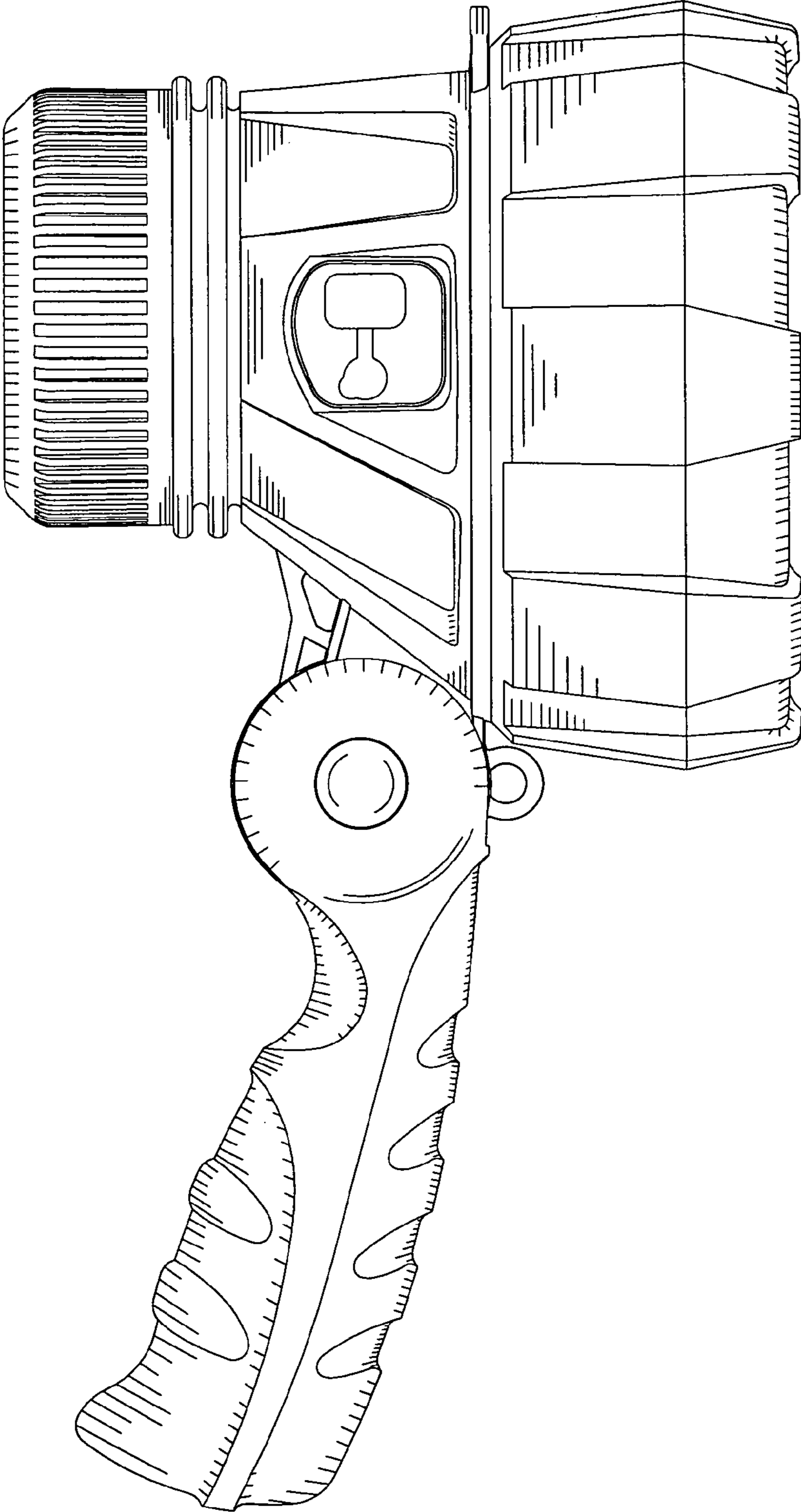


Fig. 4

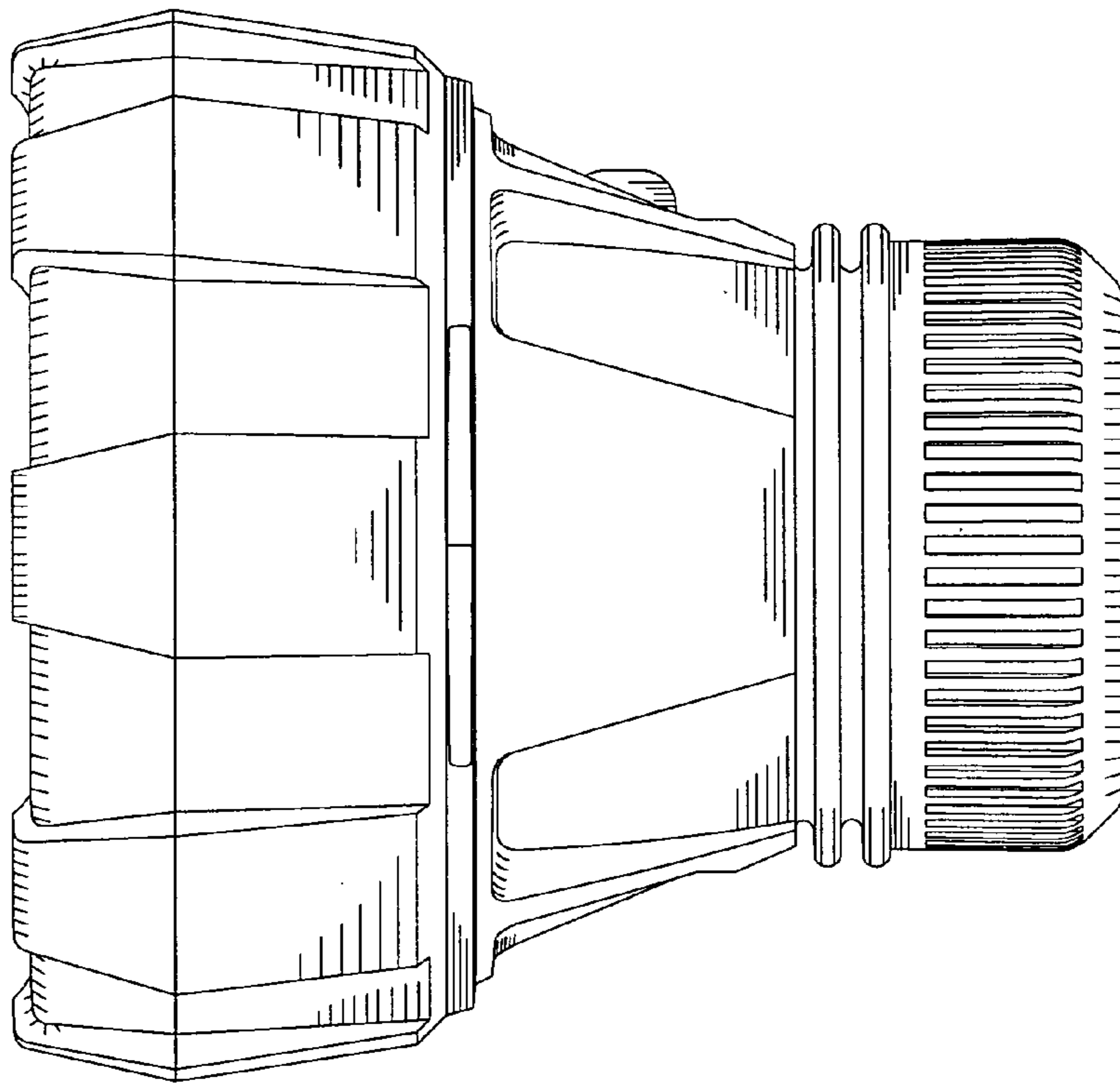


Fig. 5

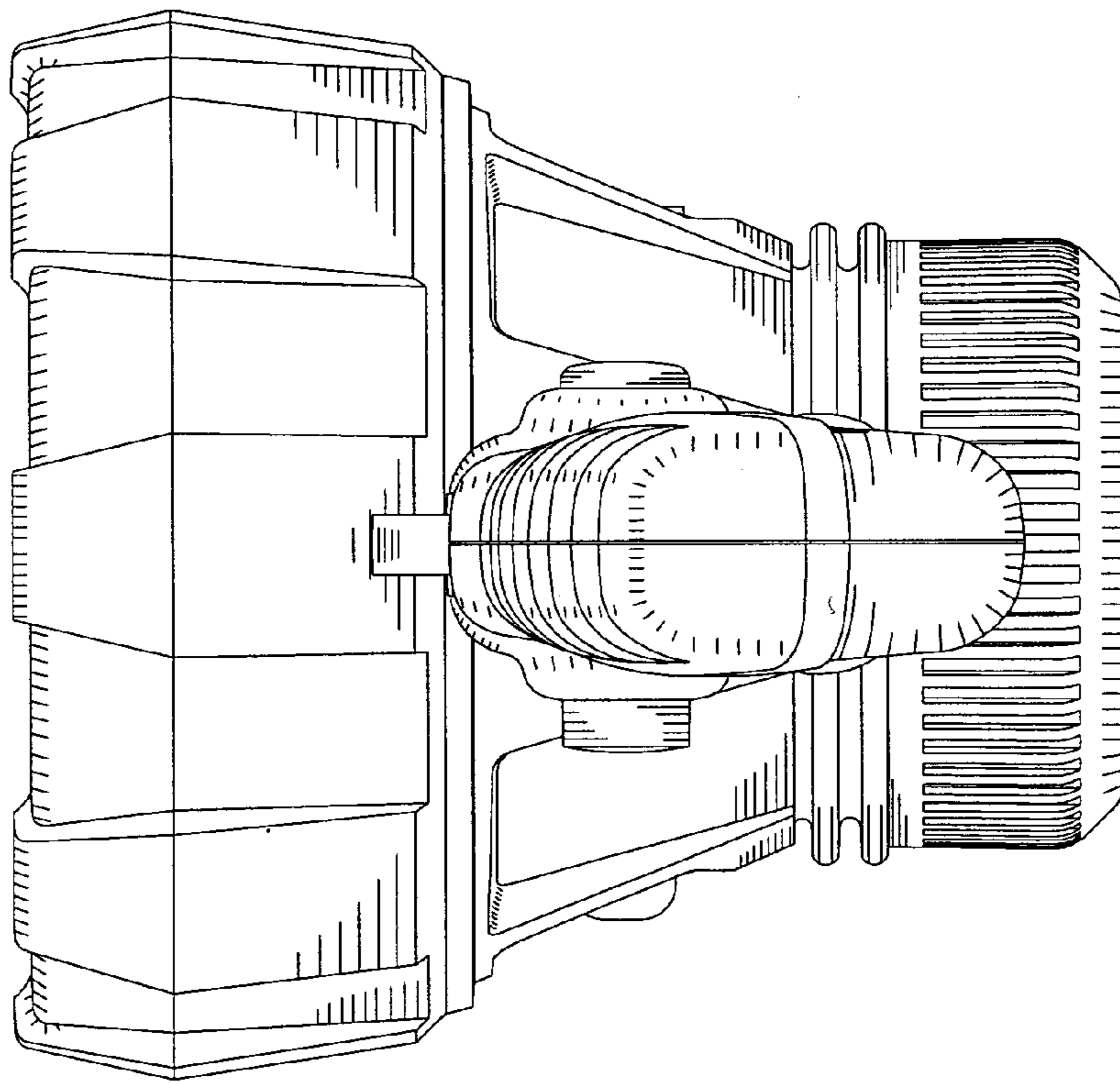


Fig. 6

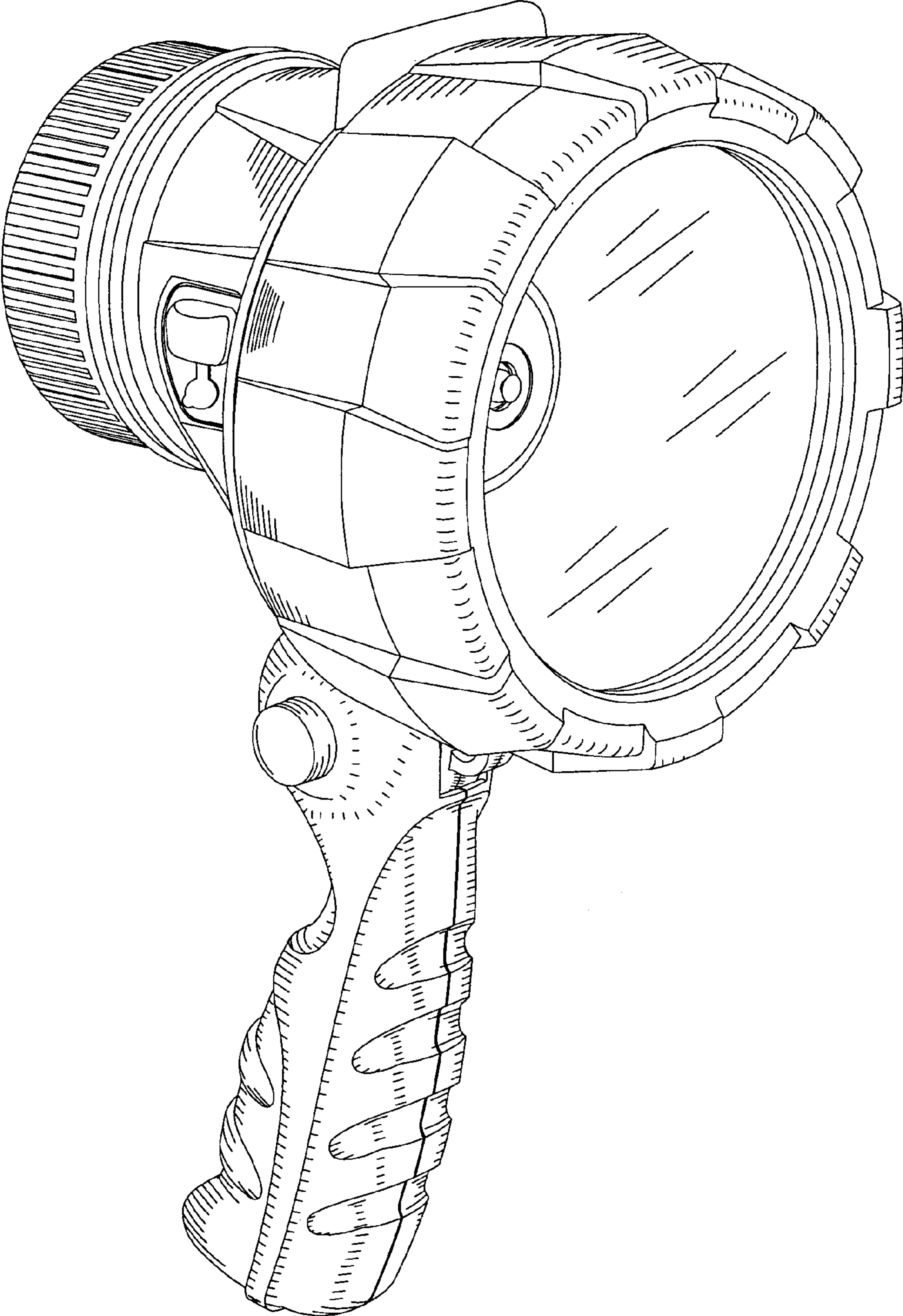


Fig. 7

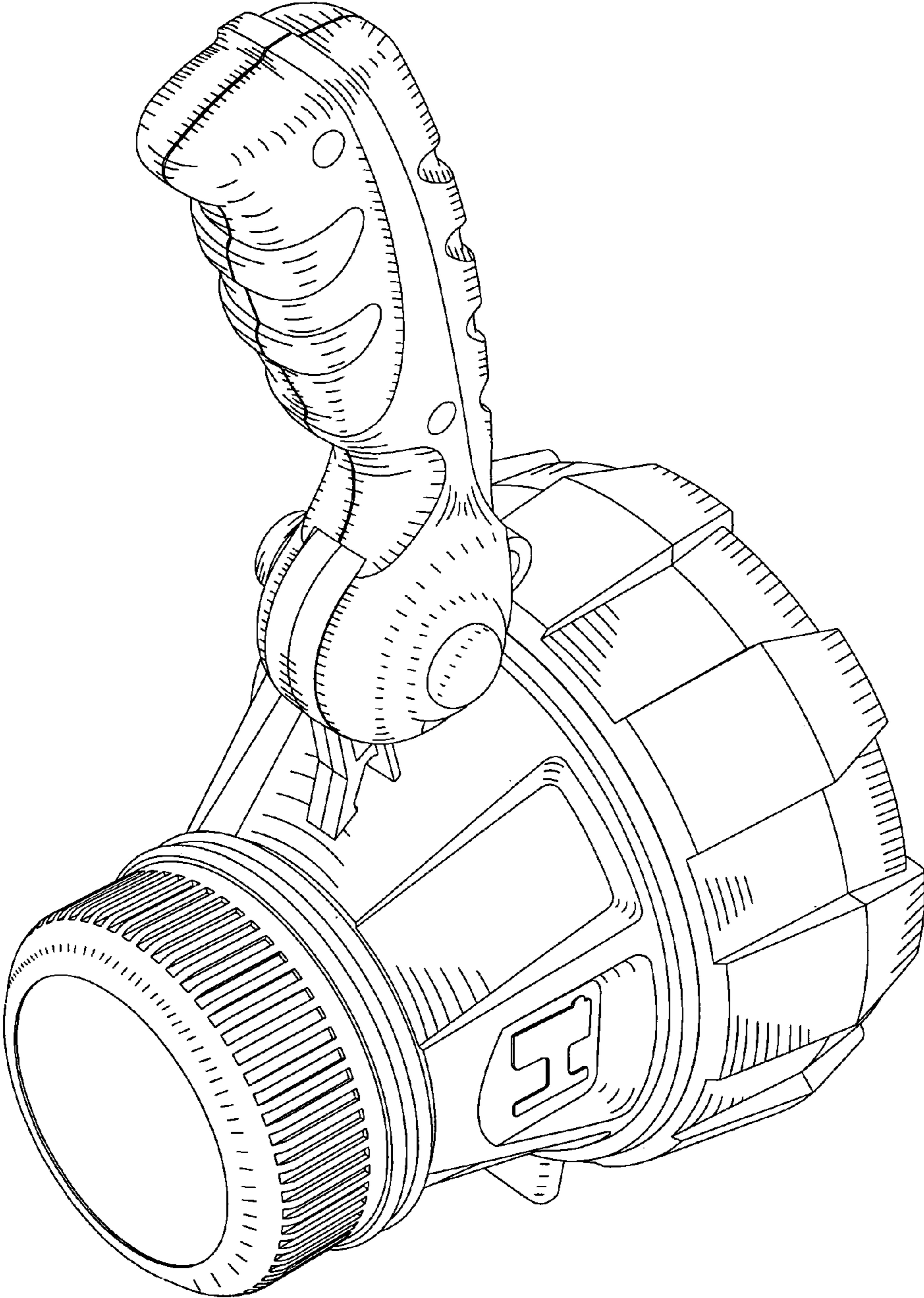


Fig. 8