



US00D629932S

(12) **United States Design Patent**
Foo

(10) **Patent No.:** **US D629,932 S**

(45) **Date of Patent:** **** Dec. 28, 2010**

(54) **LAMP**

(75) Inventor: **Onn Fah Foo**, Kowloon (HK)

(73) Assignee: **Mass Technology (H.K.) Limited**,
Kowloon (HK)

(**) Term: **14 Years**

(21) Appl. No.: **29/363,060**

(22) Filed: **Jun. 3, 2010**

(30) **Foreign Application Priority Data**

Dec. 3, 2009 (CN) 2009 3 0286453

(51) **LOC (9) Cl.** **26-04**

(52) **U.S. Cl.** **D26/2**

(58) **Field of Classification Search** D26/1-4;
313/313, 315, 316, 317, 318, 493; 315/52,
315/53, 56, 57, 58

See application file for complete search history.

(56) **References Cited**

U.S. PATENT DOCUMENTS

D549,854 S * 8/2007 Takahashi D26/2

D566,300 S * 4/2008 Lo D26/2

D582,578 S * 12/2008 Tsai et al. D26/2

D593,222 S * 5/2009 To et al. D26/2

D603,982 S * 11/2009 Foo D26/2

* cited by examiner

Primary Examiner—Marcus A Jackson

(74) *Attorney, Agent, or Firm*—McNeely & Hare, LLP;
Kevin J. McNeely

(57) **CLAIM**

The ornamental design for a lamp, as shown.

DESCRIPTION

FIG. 1 is a front view of the lamp, showing the new design;

FIG. 2 is a rear view of the lamp;

FIG. 3 is a left side view of the lamp;

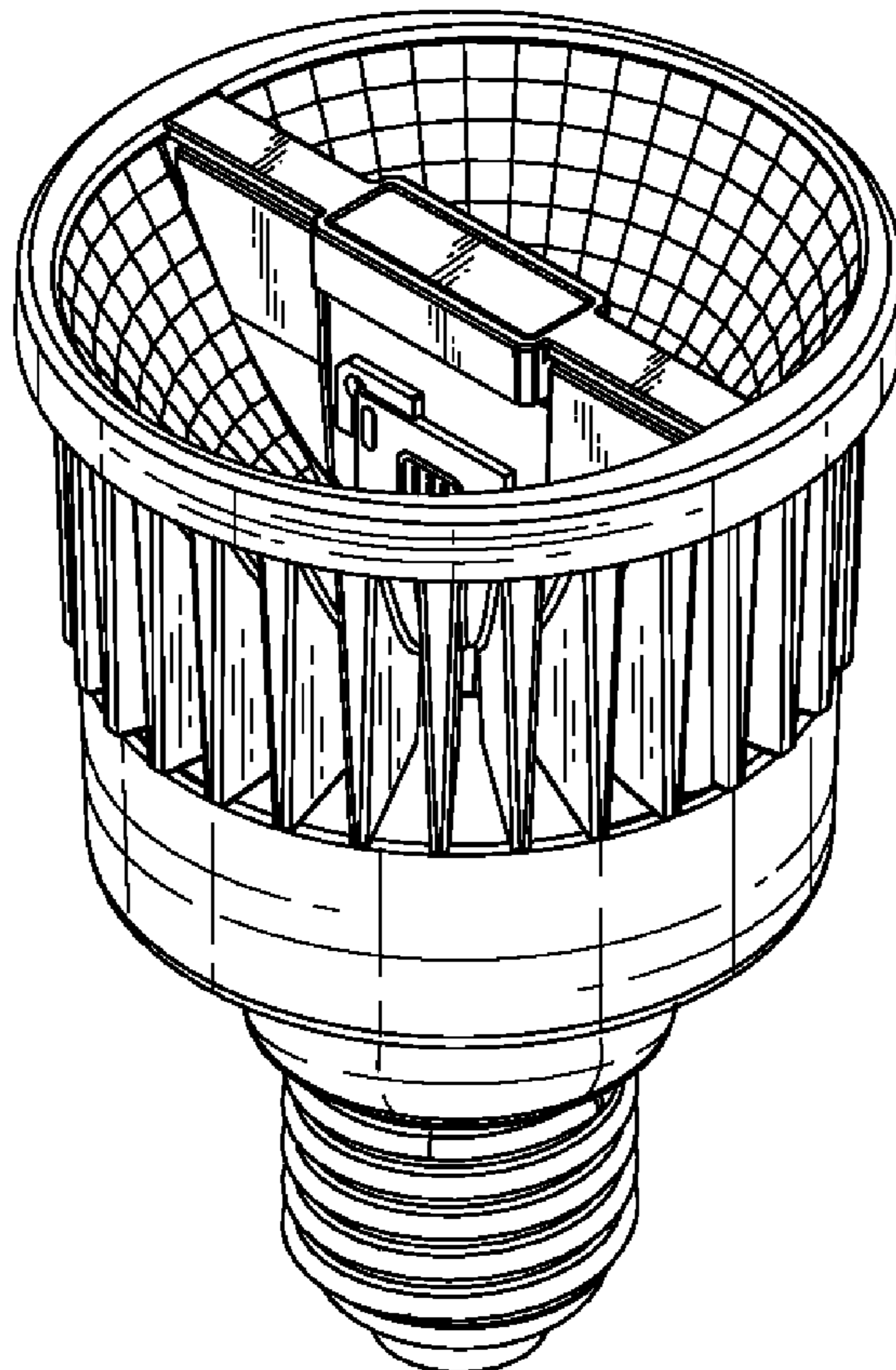
FIG. 4 is a right side view of the lamp;

FIG. 5 is a top view of the lamp;

FIG. 6 is a bottom view of the lamp; and,

FIG. 7 is top perspective view of the lamp.

1 Claim, 4 Drawing Sheets



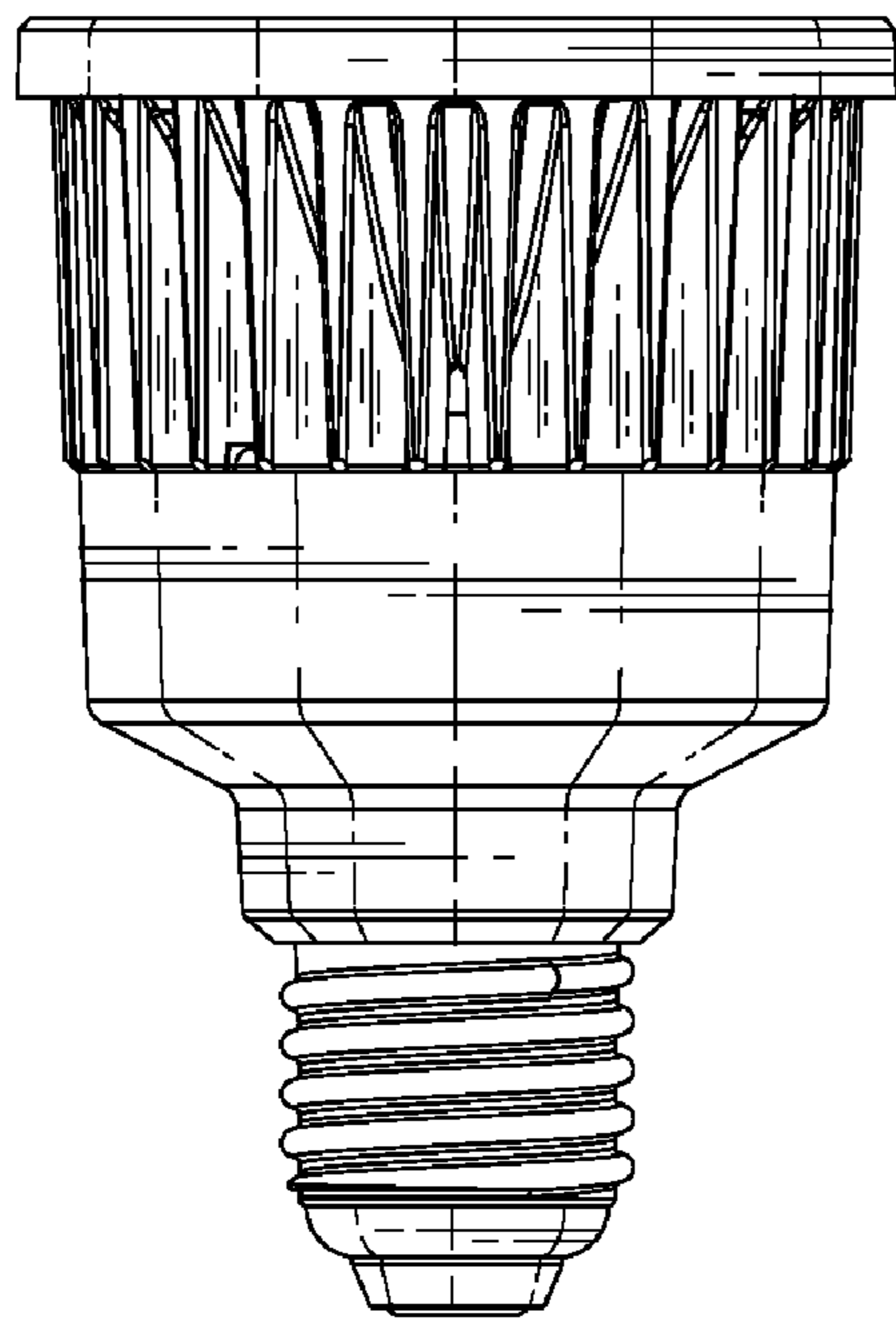


Fig. 1

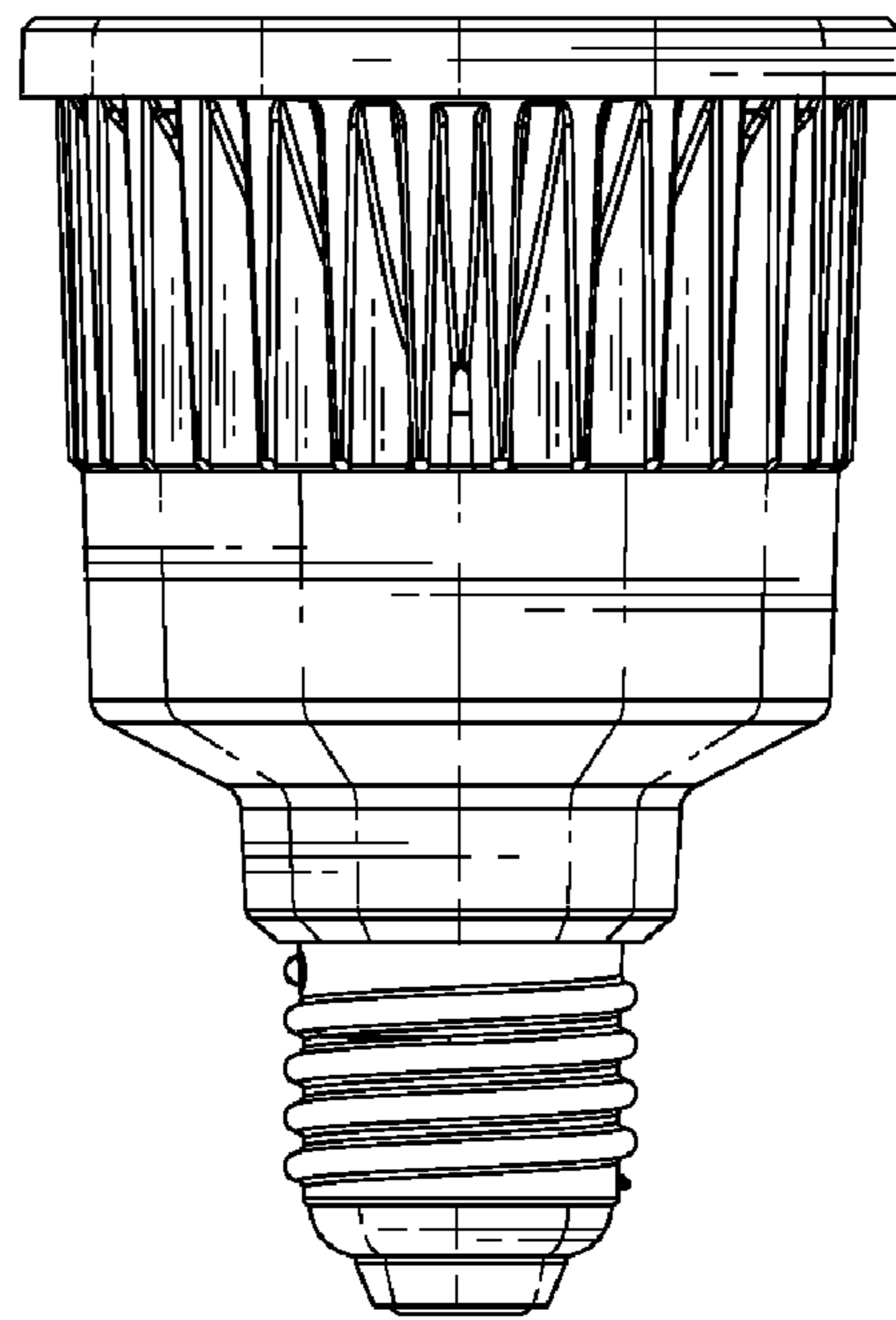


Fig. 2

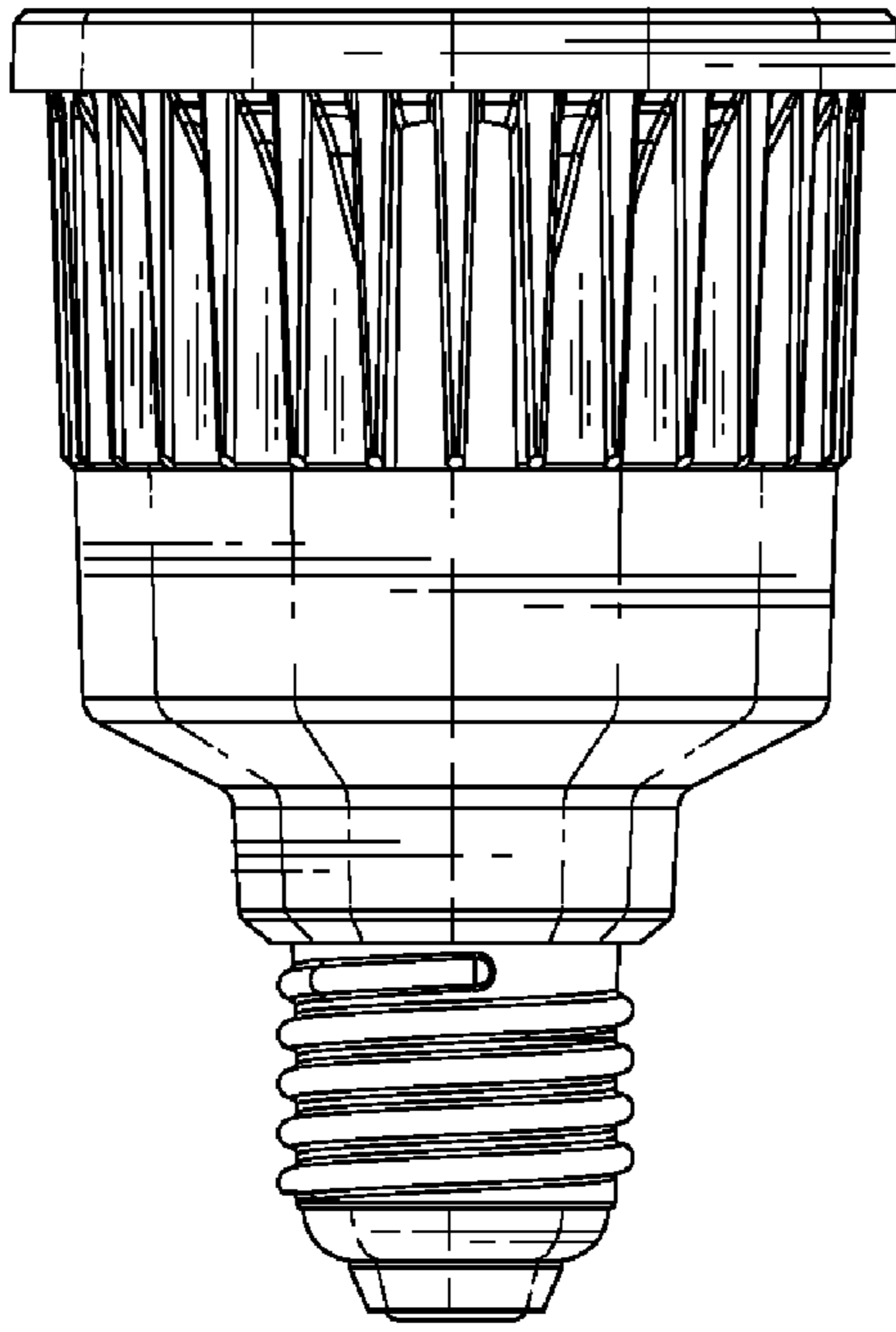


Fig. 3

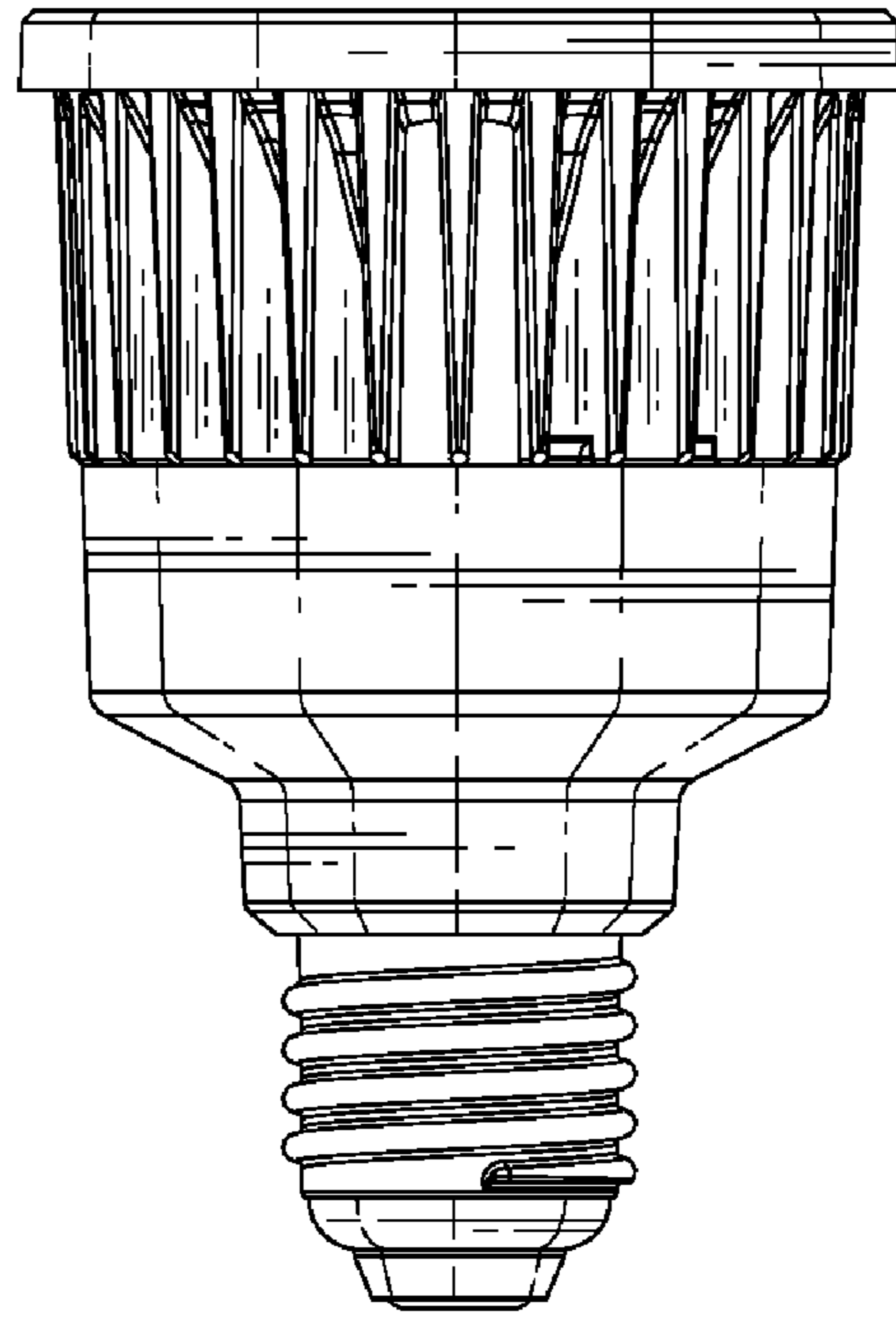


Fig. 4

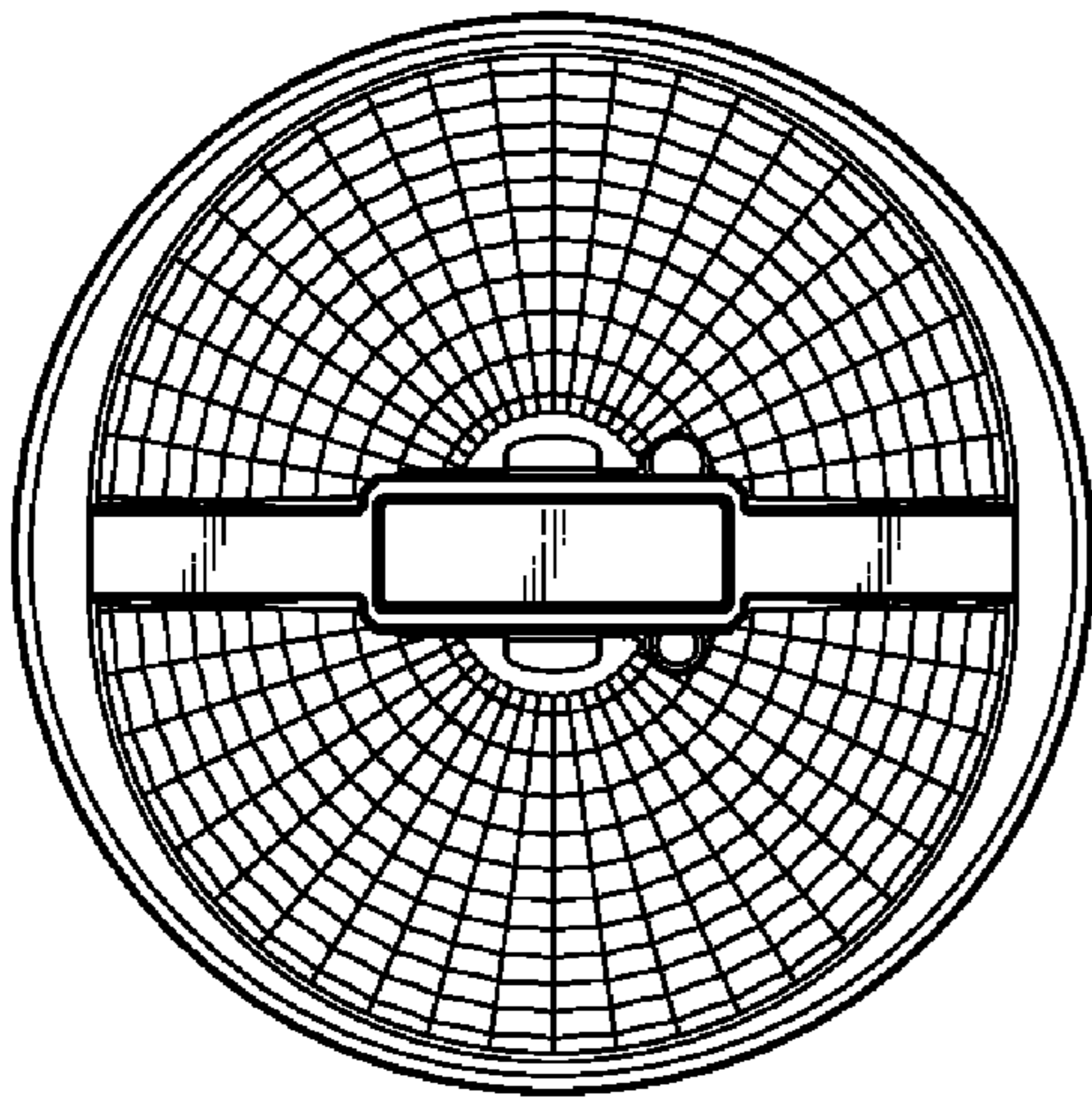


Fig. 5

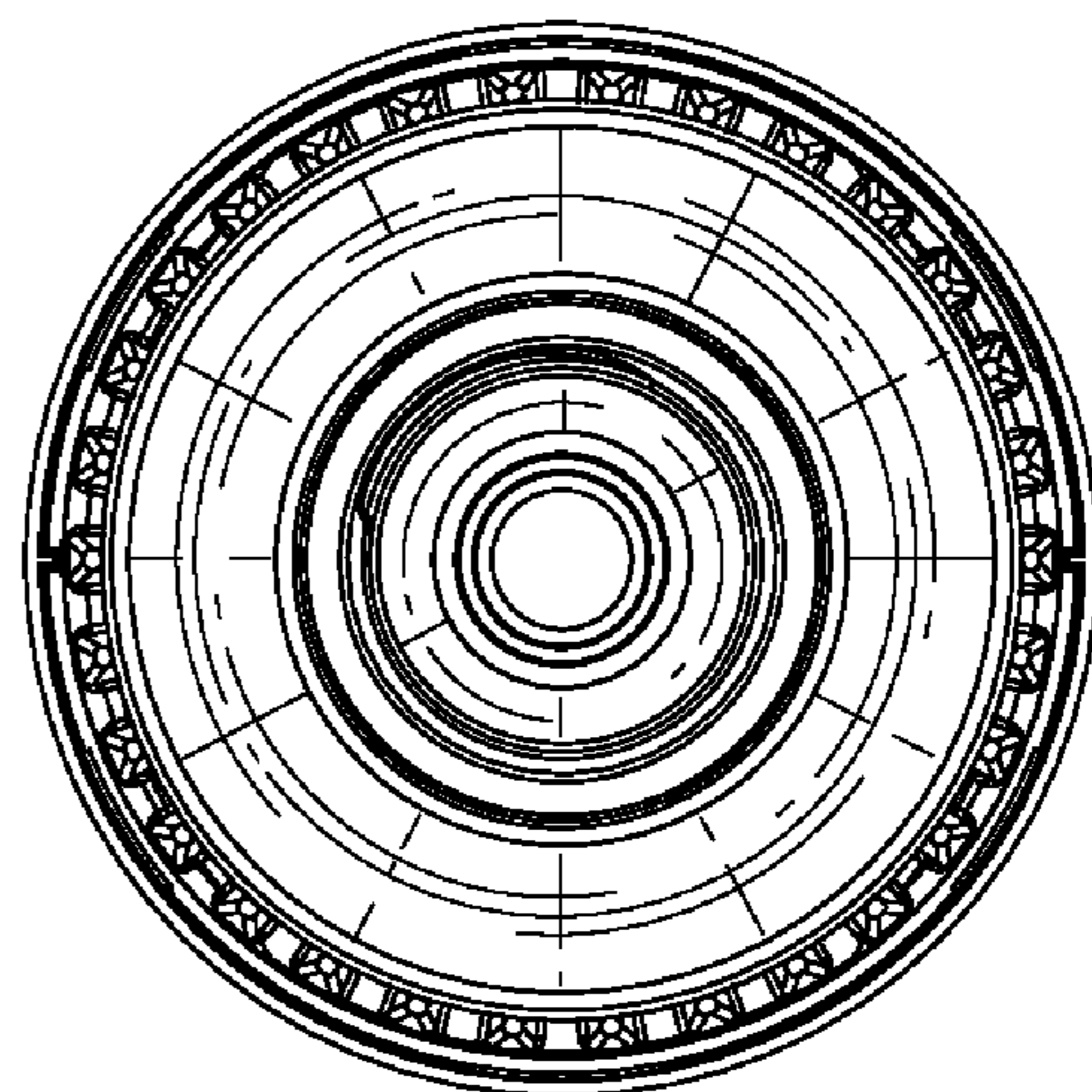


Fig. 6

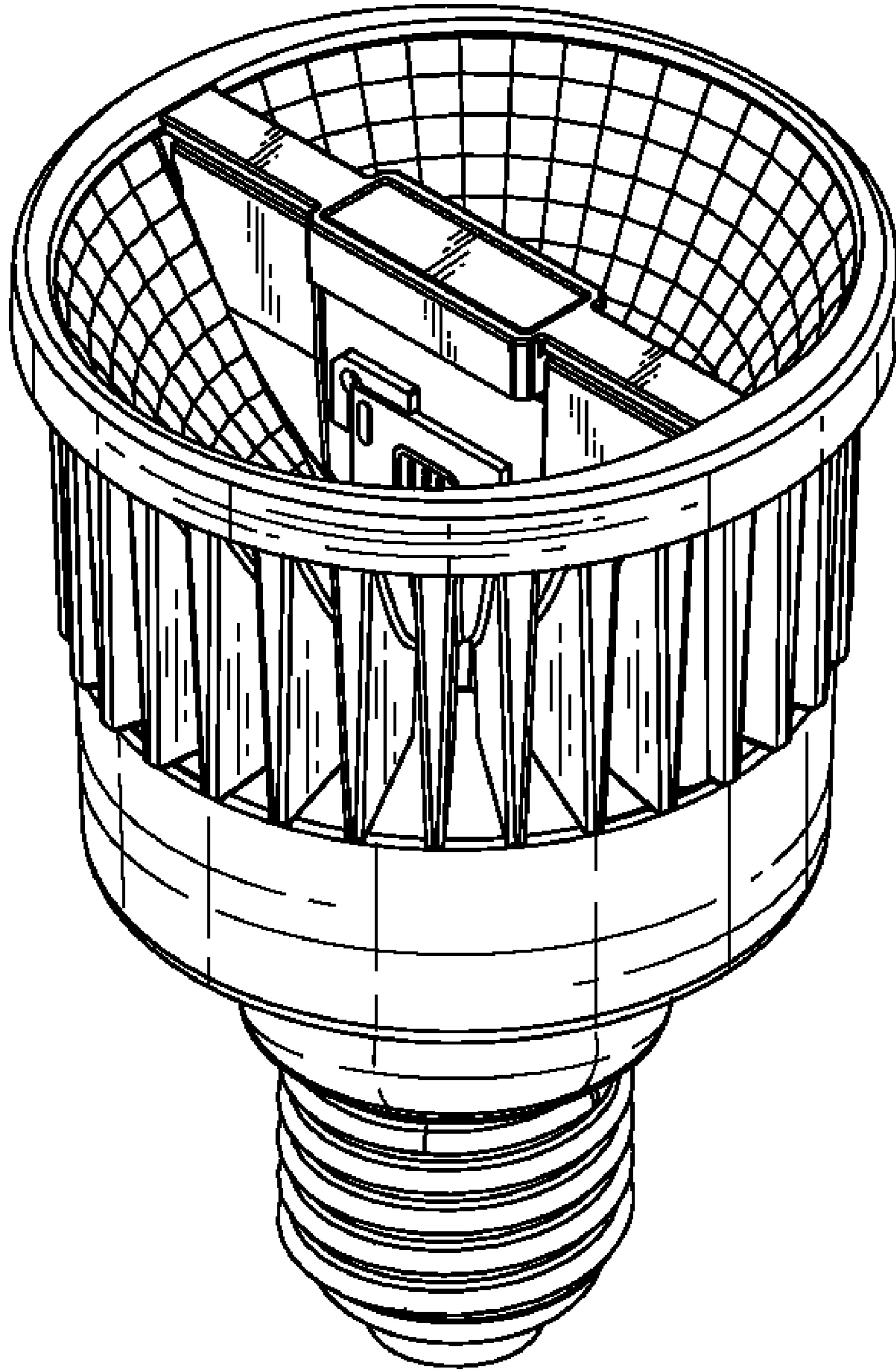


Fig. 7