



US00D629926S

(12) **United States Design Patent**
Chen et al.

(10) **Patent No.:** **US D629,926 S**
(45) **Date of Patent:** **** Dec. 28, 2010**

(54) **LED REFLECTIVE LAMP**

(75) Inventors: **Chen-Pin Chen**, Hsinchu (TW);
Mao-Sung Hsu, Hsinchu (TW)

(73) Assignee: **Tyntex Corporation**, Hsinchu (TW)

(**) Term: **14 Years**

(21) Appl. No.: **29/355,242**

(22) Filed: **Feb. 4, 2010**

(30) **Foreign Application Priority Data**

Dec. 25, 2009 (JP) 2009-030230

(51) **LOC (9) Cl.** **26-04**

(52) **U.S. Cl.** **D26/2**

(58) **Field of Classification Search** D26/1-4;
313/313, 315, 316, 317, 318, 493; 315/52,
315/53, 56, 57, 58

See application file for complete search history.

(56) **References Cited**

U.S. PATENT DOCUMENTS

D516,229 S * 2/2006 Tang D26/2
D527,119 S * 8/2006 Maxik et al. D26/2
D528,227 S * 9/2006 Chou et al. D26/2
D528,673 S * 9/2006 Maxik et al. D26/2

D547,466 S * 7/2007 Lo D26/2
D566,300 S * 4/2008 Lo D26/2
D593,223 S * 5/2009 Komar D26/2
D596,764 S * 7/2009 Yang et al. D26/2

* cited by examiner

Primary Examiner—Marcus A Jackson

(74) *Attorney, Agent, or Firm*—Ladas & Parry LLP

(57) **CLAIM**

The ornamental design for LED reflective lamp, as shown and described.

DESCRIPTION

FIG. 1 is a perspective view of LED reflective lamp showing my new design;

FIG. 2 is a front elevational view thereof;

FIG. 3 is a rear elevational view thereof;

FIG. 4 is a left side elevational view thereof;

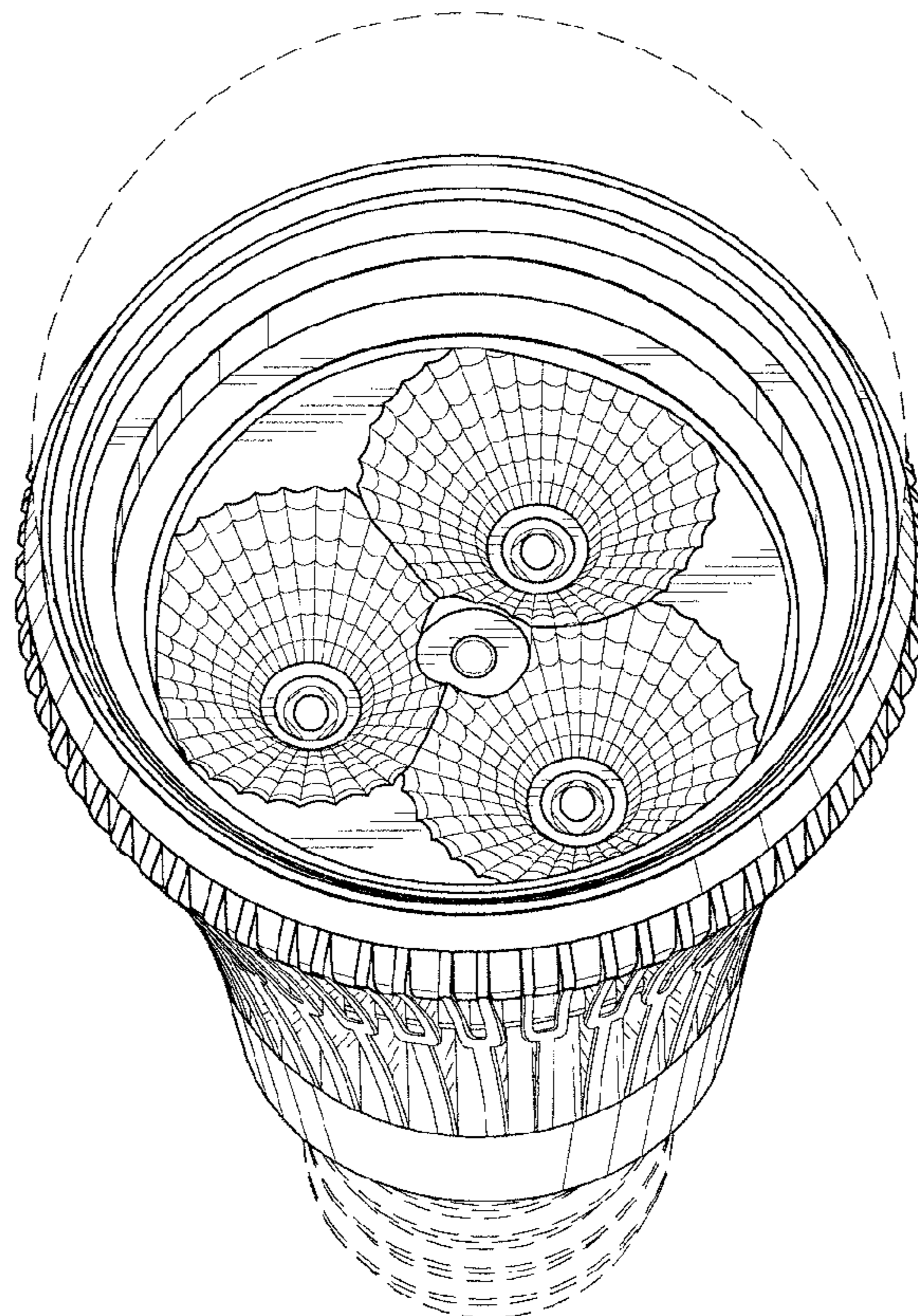
FIG. 5 is a right side elevational view thereof;

FIG. 6 is a top plan view thereof; and,

FIG. 7 is a bottom plan view thereof.

The portions shown in dashed lines do not form part of the design.

1 Claim, 6 Drawing Sheets



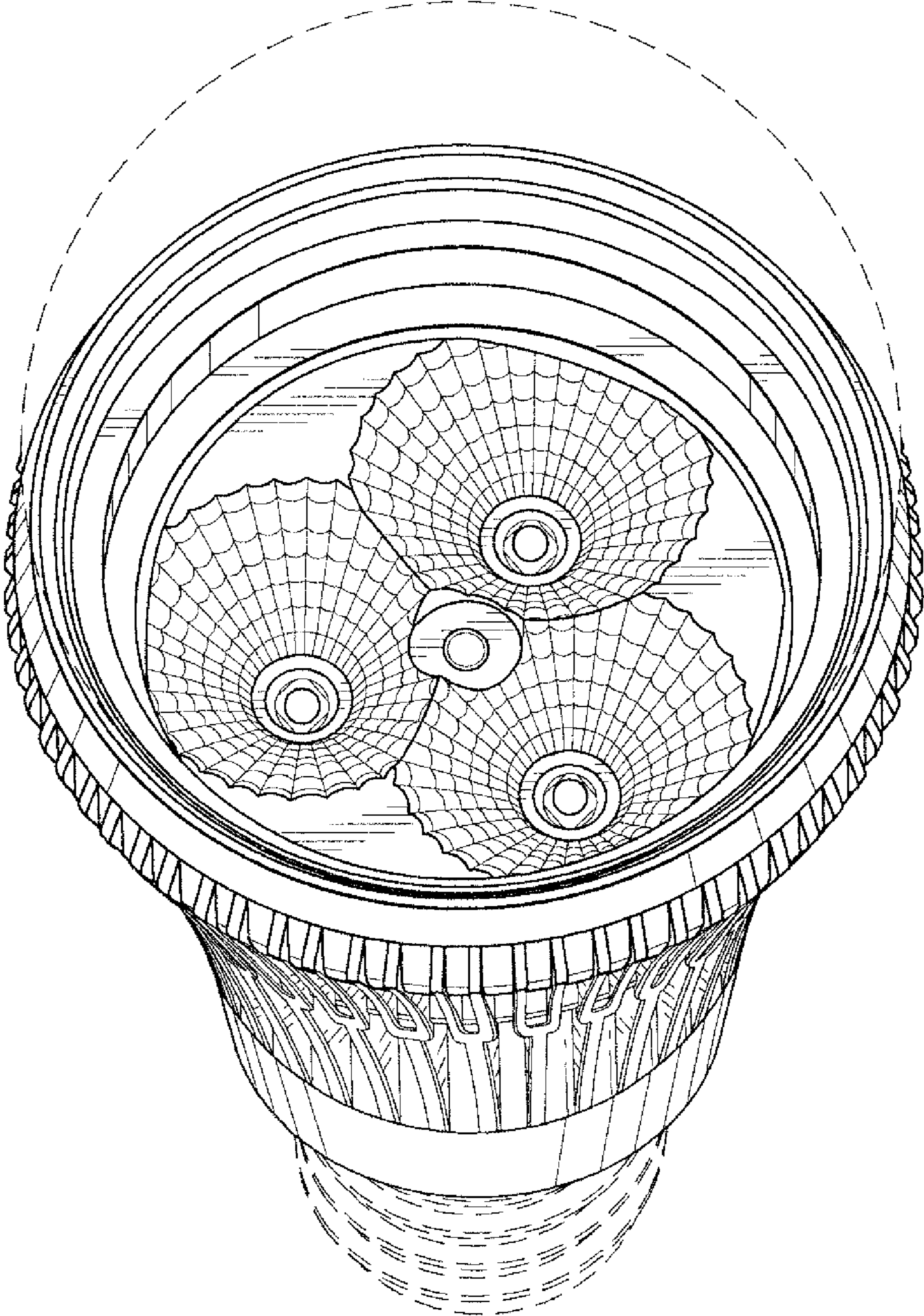


FIG. 1

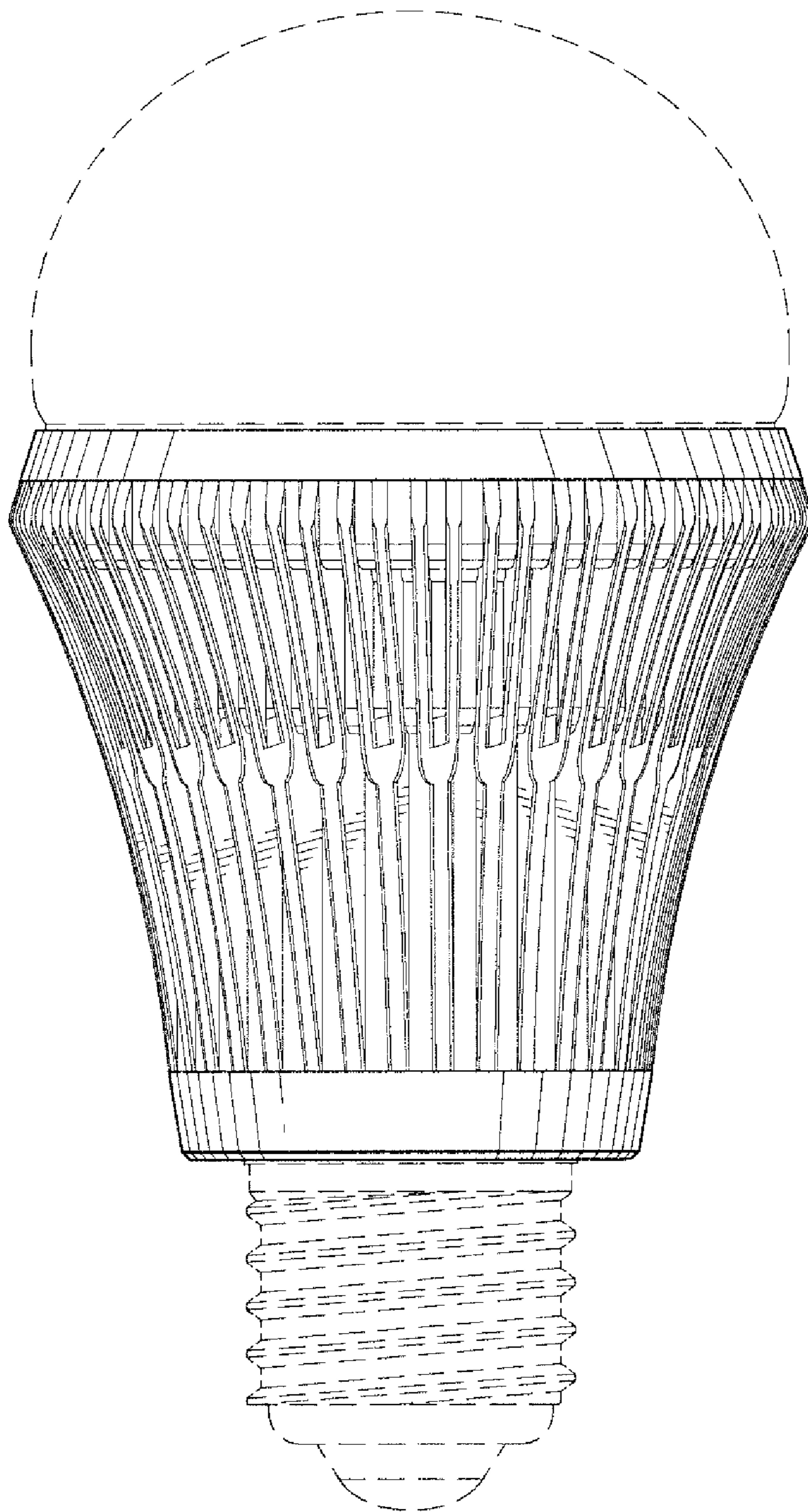


FIG. 2

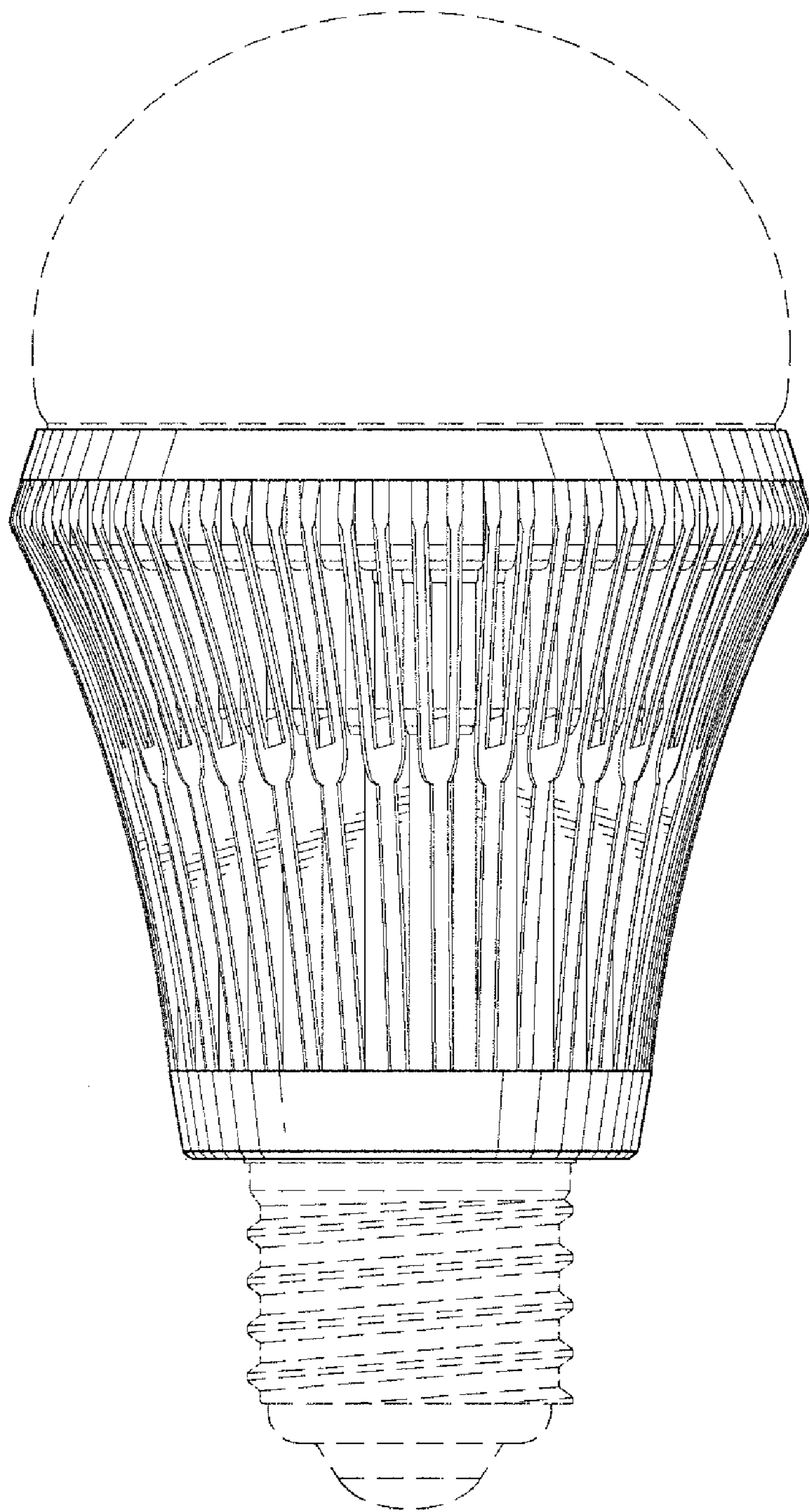


FIG. 3

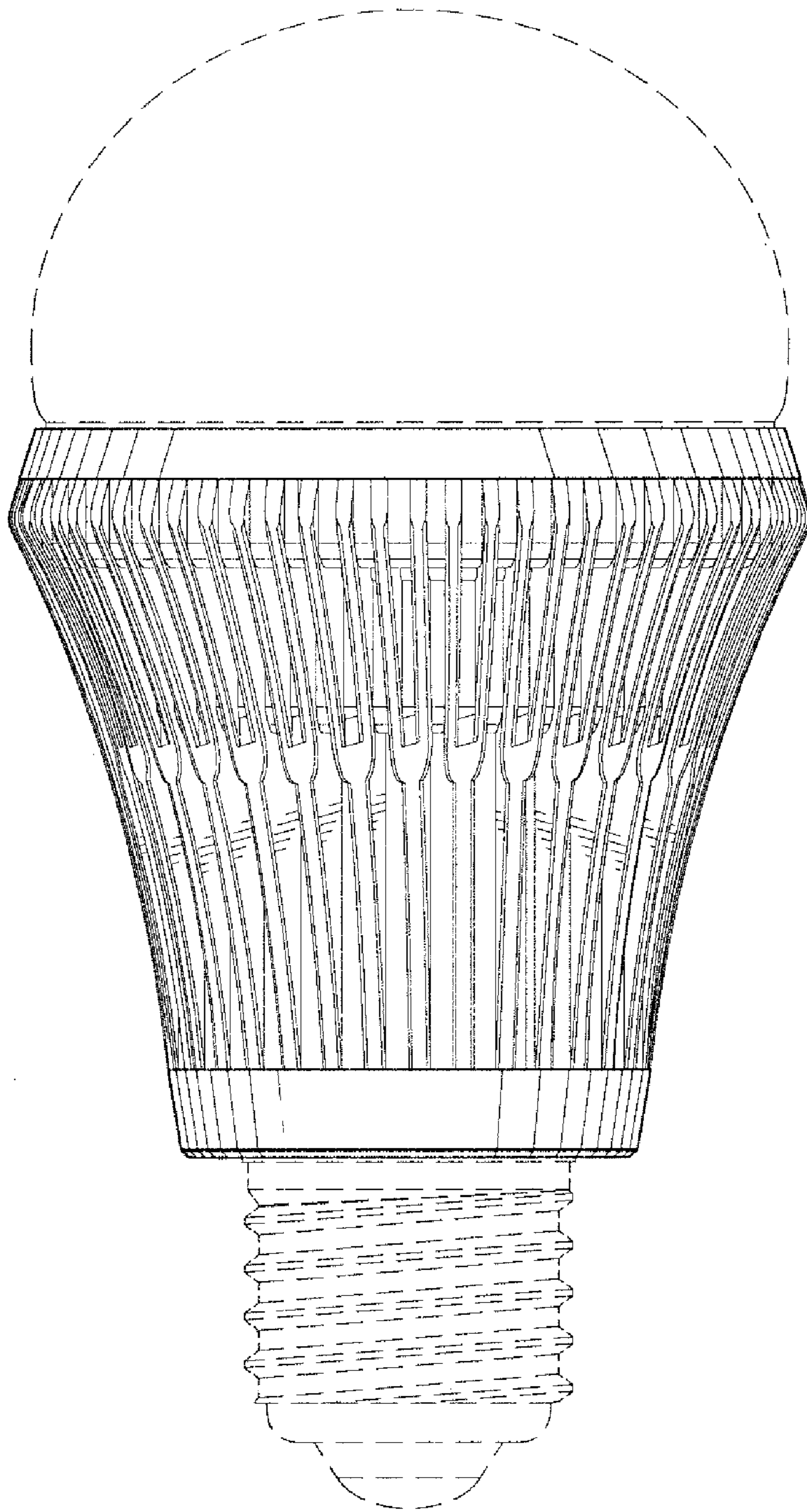


FIG. 4

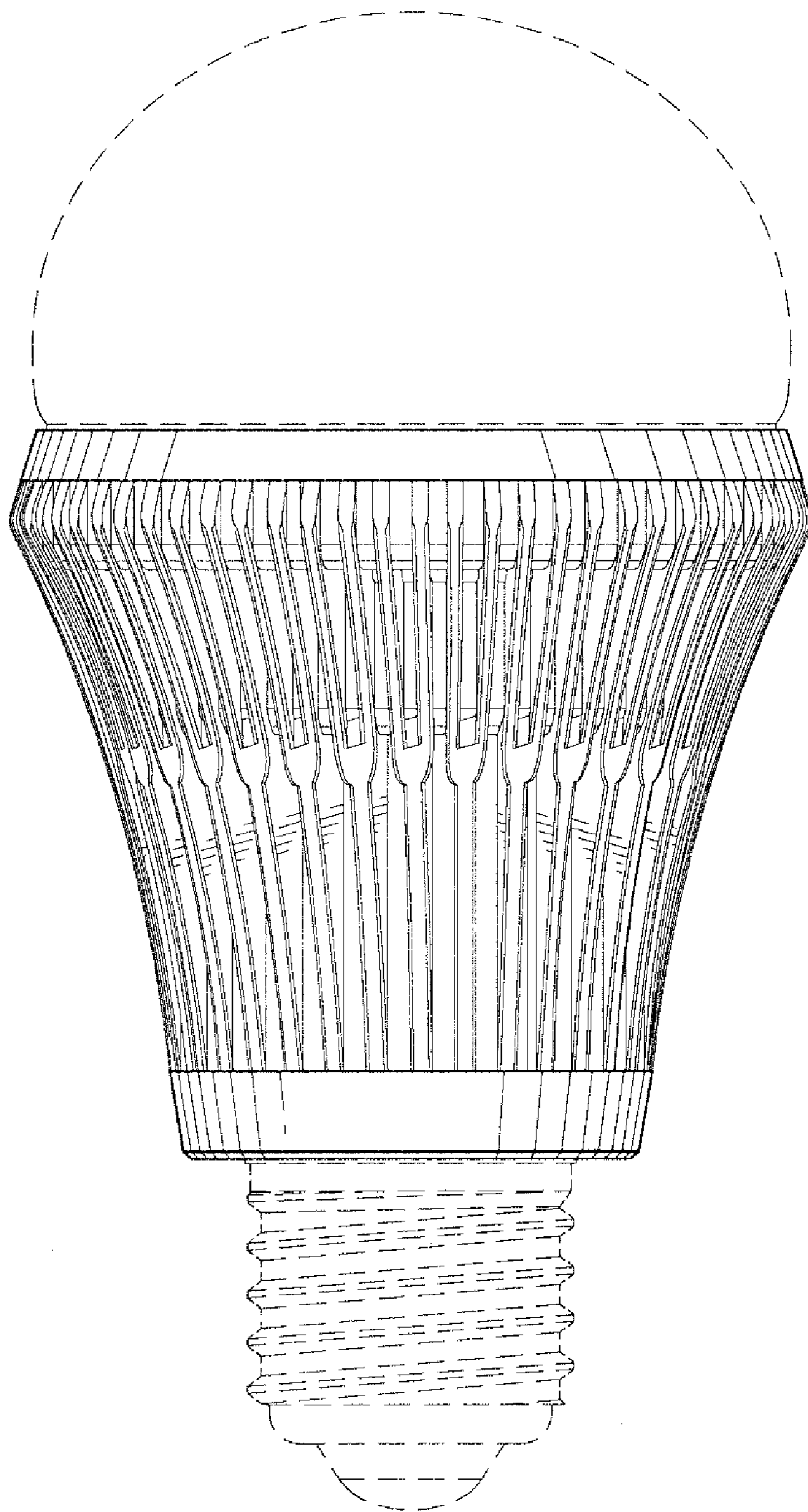


FIG. 5

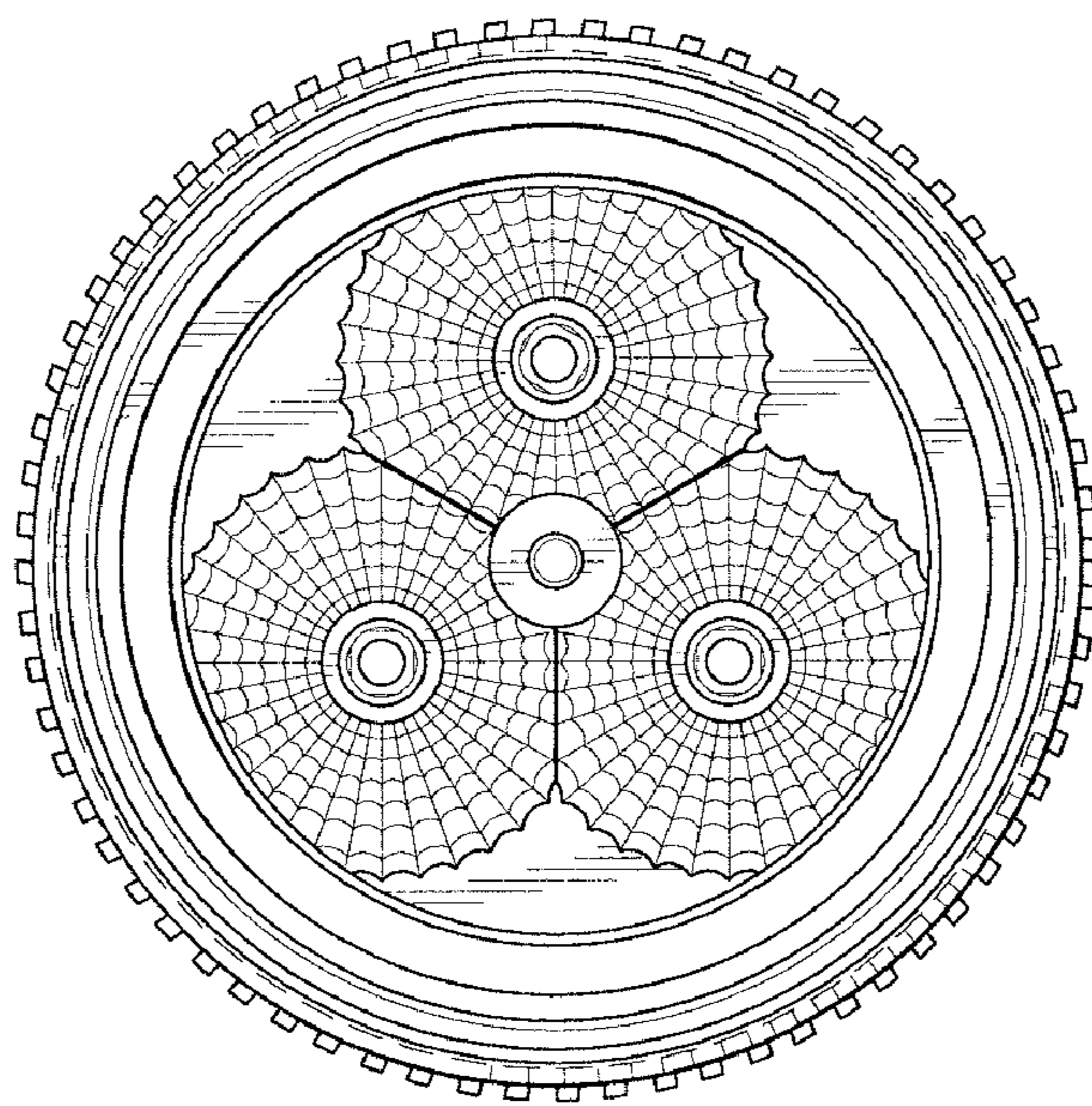


FIG. 6

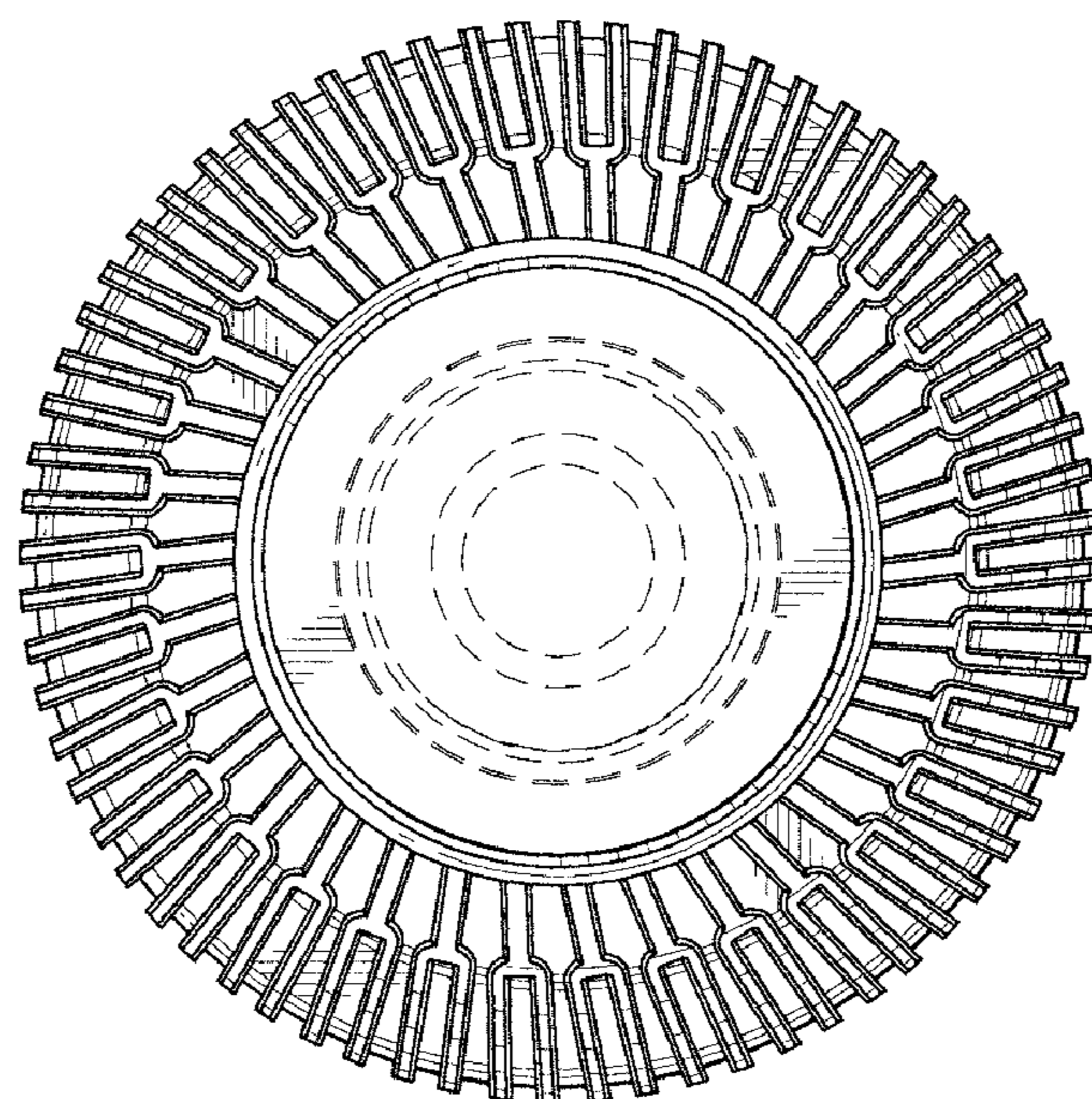


FIG. 7