



US00D629925S

(12) **United States Design Patent**  
**Ashida**

(10) **Patent No.:** **US D629,925 S**

(45) **Date of Patent:** **\*\* Dec. 28, 2010**

(54) **DISCHARGE LAMP**

(75) Inventor: **Katsumi Ashida**, Saitama (JP)

(73) Assignee: **Hoya Candeo Optronics Corporation**,  
Toda-shi (JP)

(\*\*) Term: **14 Years**

(21) Appl. No.: **29/294,965**

(22) Filed: **Feb. 5, 2008**

(30) **Foreign Application Priority Data**

Aug. 10, 2007 (JP) ..... 2007-021931

(51) **LOC (9) Cl.** ..... **26-04**

(52) **U.S. Cl.** ..... **D26/2**

(58) **Field of Classification Search** ..... D26/1-4;  
313/313, 315, 316, 317, 318, 493; 315/52,  
315/53, 56, 57, 58

See application file for complete search history.

(56) **References Cited**

**U.S. PATENT DOCUMENTS**

D359,571 S \* 6/1995 Abbott ..... D26/3  
D506,274 S \* 6/2005 Moriyama et al. .... D26/3  
D537,176 S \* 2/2007 Iida ..... D26/3  
D537,547 S \* 2/2007 Iida ..... D26/3  
D600,371 S \* 9/2009 Genz et al. .... D26/3

**FOREIGN PATENT DOCUMENTS**

JP 1284713 9/2006  
JP 1285029 9/2006  
JP 1285030 9/2006

JP 1285031 9/2006  
JP 1285032 9/2006  
JP 1285033 9/2006  
JP 1285034 9/2006  
JP 1285035 9/2006  
JP 1285036 9/2006  
JP 1285037 9/2006  
JP 1285038 9/2006  
JP 1287038 10/2006  
JP 1292752 1/2007

\* cited by examiner

*Primary Examiner*—Marcus A Jackson

(74) *Attorney, Agent, or Firm*—Wolf, Greenfield & Sacks,  
P.C.

(57) **CLAIM**

The ornamental design for a discharge lamp, as shown and described.

**DESCRIPTION**

FIG. 1 is a front perspective view of a discharge lamp showing my new design;

FIG. 2 is a front view thereof;

FIG. 3 is a rear view thereof;

FIG. 4 is a top plan view thereof;

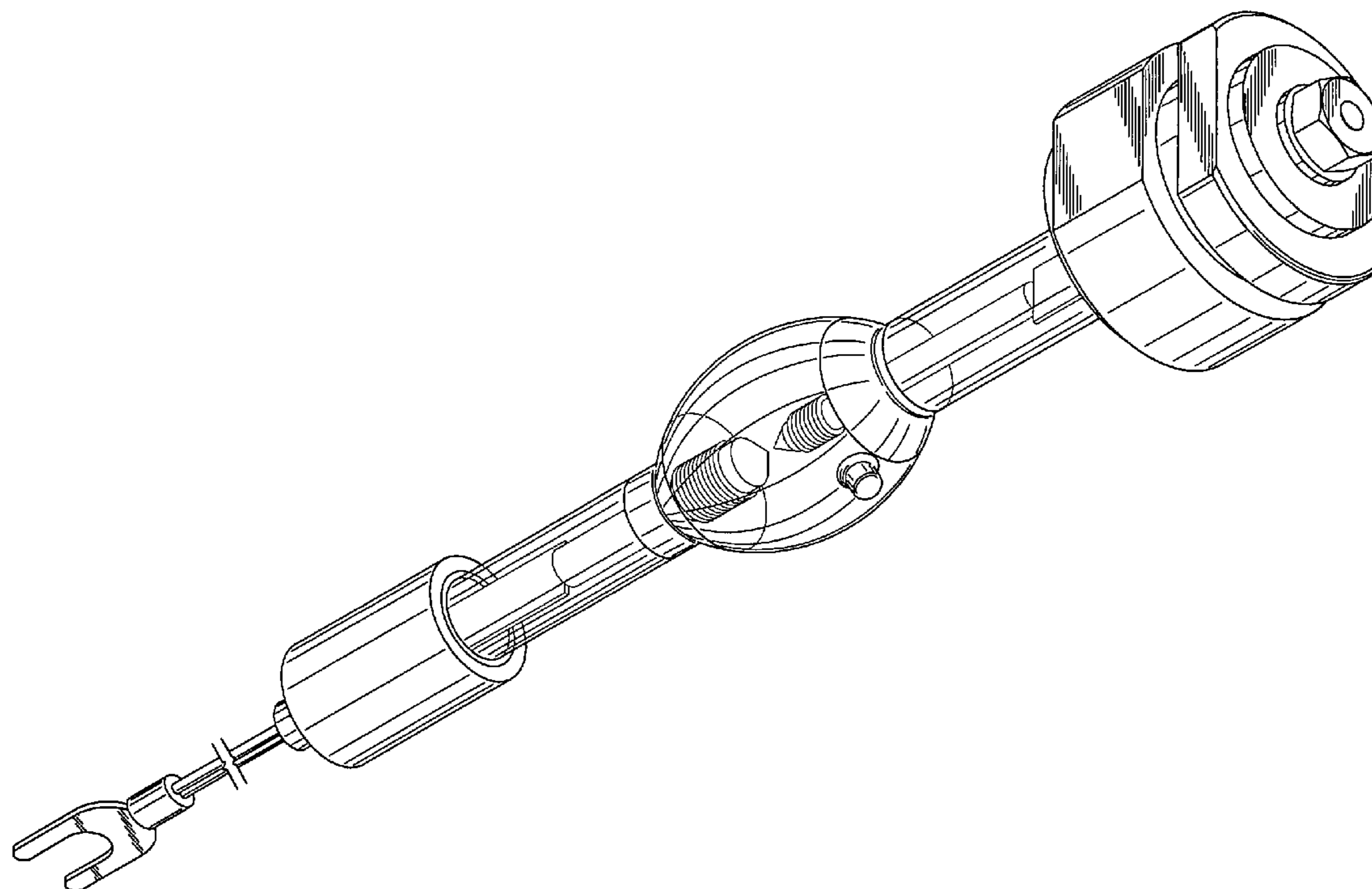
FIG. 5 is a bottom plan view thereof;

FIG. 6 is a right side elevational view thereof; and,

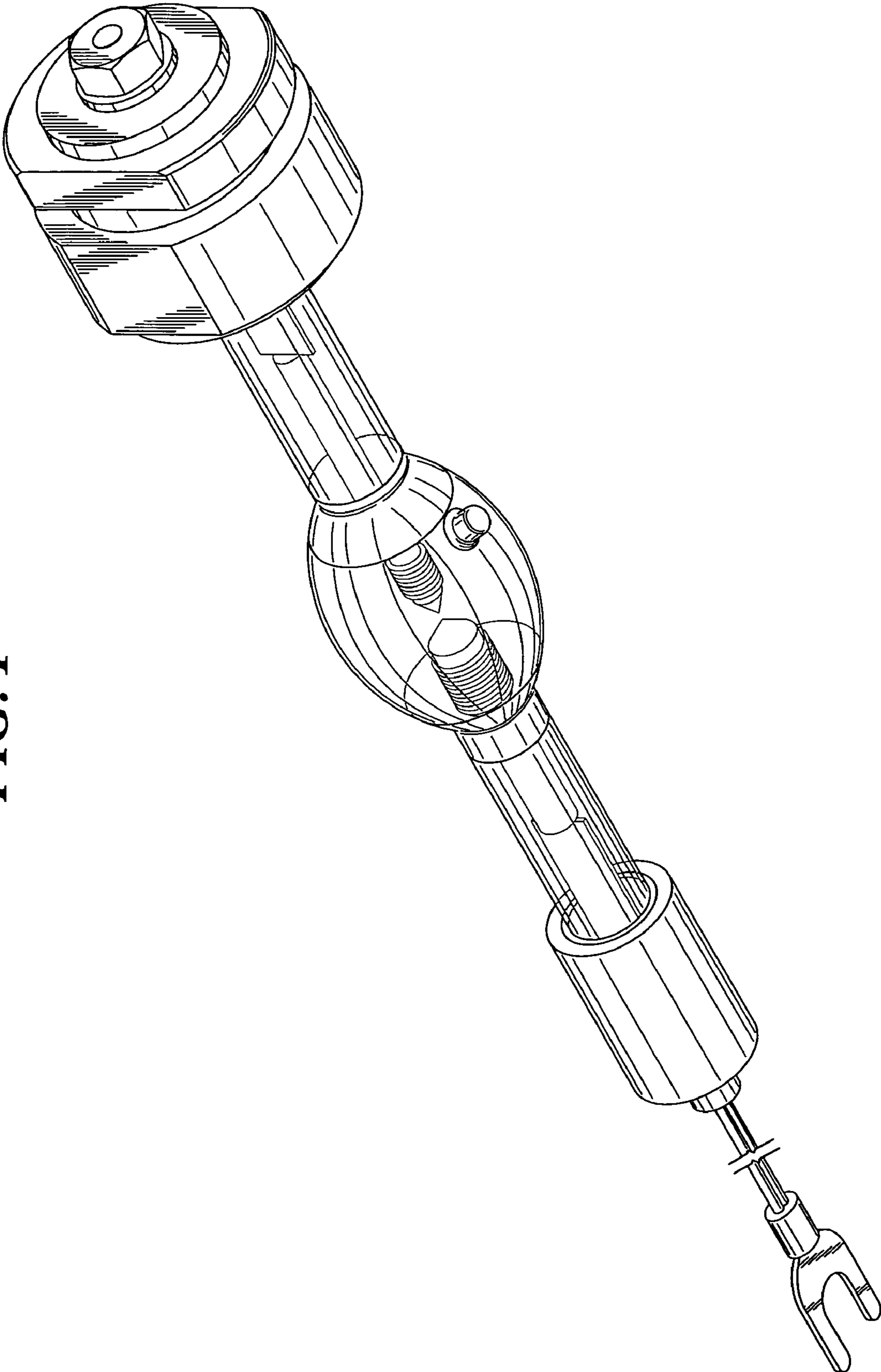
FIG. 7 is a left side elevational view thereof.

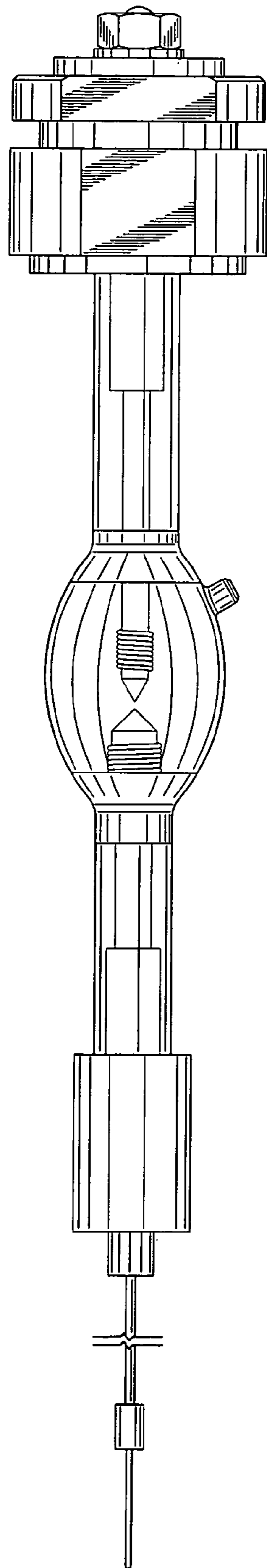
The wire-like element, in FIGS. 1-5, is shown having indeterminate length.

**1 Claim, 4 Drawing Sheets**

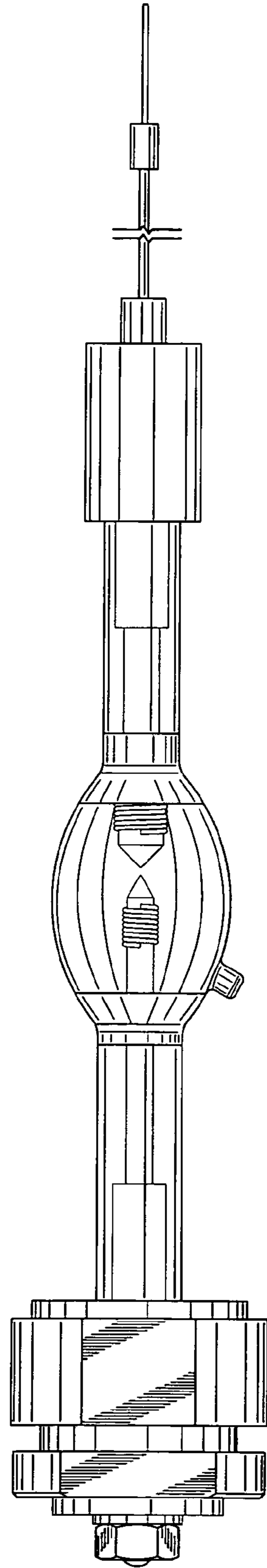


**FIG. 1**



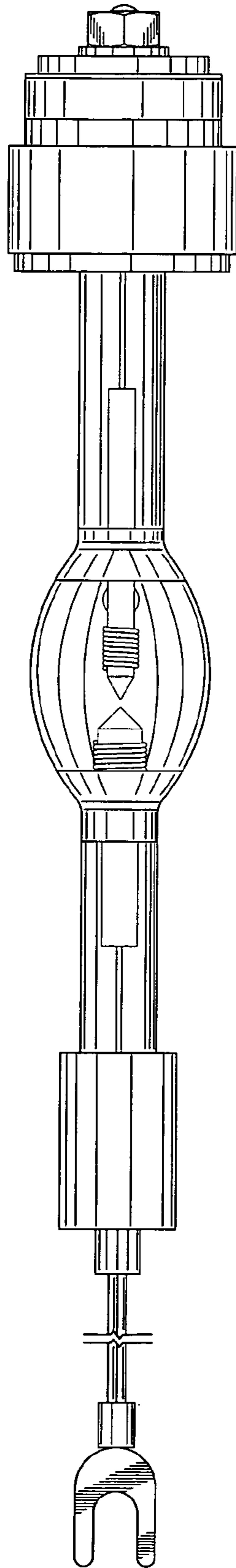


**FIG. 2**

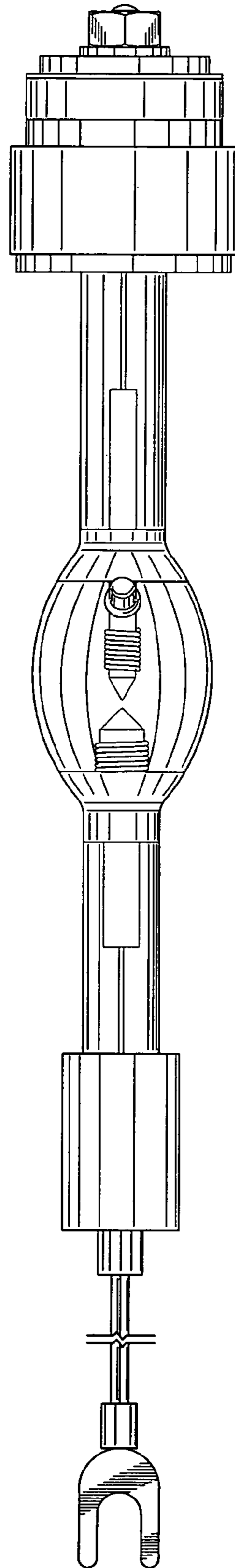


**FIG. 3**

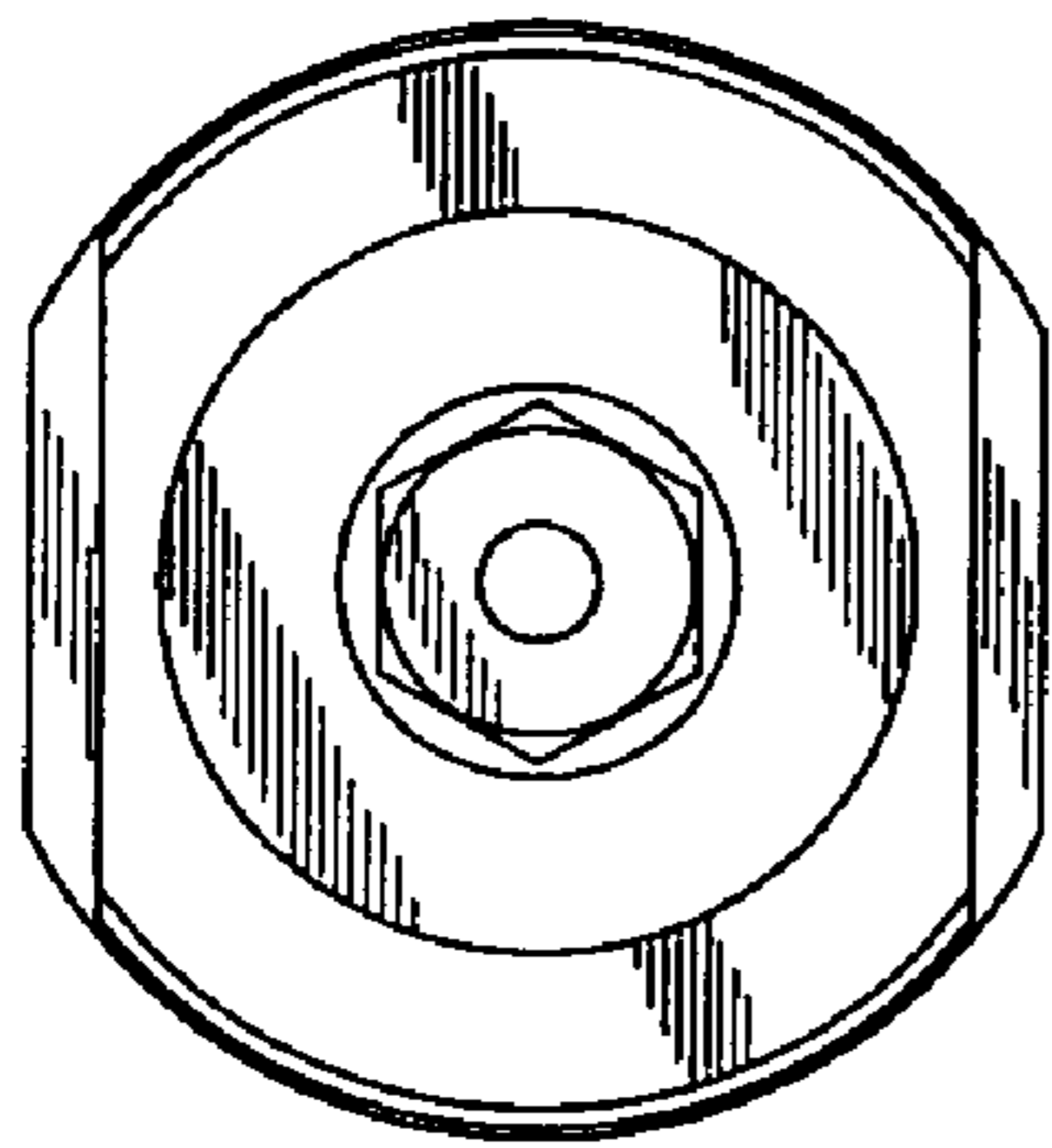
*FIG. 4*



*FIG. 5*



***FIG. 6***



***FIG. 7***

