



US00D629922S

(12) **United States Design Patent**
Brabeck et al.

(10) **Patent No.:** **US D629,922 S**

(45) **Date of Patent:** **** Dec. 28, 2010**

(54) **DOOR FRAME EXTRUSION**

D589,170 S * 3/2009 Wickland D25/124
2006/0108079 A1* 5/2006 Burggraaf et al. 160/206

(75) Inventors: **Steven Brabeck**, Ormeau (AU); **Ramesh Ramachandran**, Penang (MY)

(73) Assignee: **IPH International Pty Ltd**, Ormeau, Queensland (AU)

* cited by examiner

(**) Term: **14 Years**

Primary Examiner—Doris Clark

(74) *Attorney, Agent, or Firm*—Dilworth & Barrese, LLP

(21) Appl. No.: **29/359,373**

(57) **CLAIM**

(22) Filed: **Apr. 9, 2010**

The ornamental design for a door frame extrusion, as shown and described.

(30) **Foreign Application Priority Data**

Oct. 9, 2009 (AU) 328279

DESCRIPTION

(51) **LOC (9) Cl.** **25-01**

(52) **U.S. Cl.** **D25/124**

(58) **Field of Classification Search** D25/124;
160/206

See application file for complete search history.

FIG. 1 is an end view of the door frame extrusion showing our new design;

FIG. 2 is a front perspective view of the door frame extrusion of FIG. 1; and,

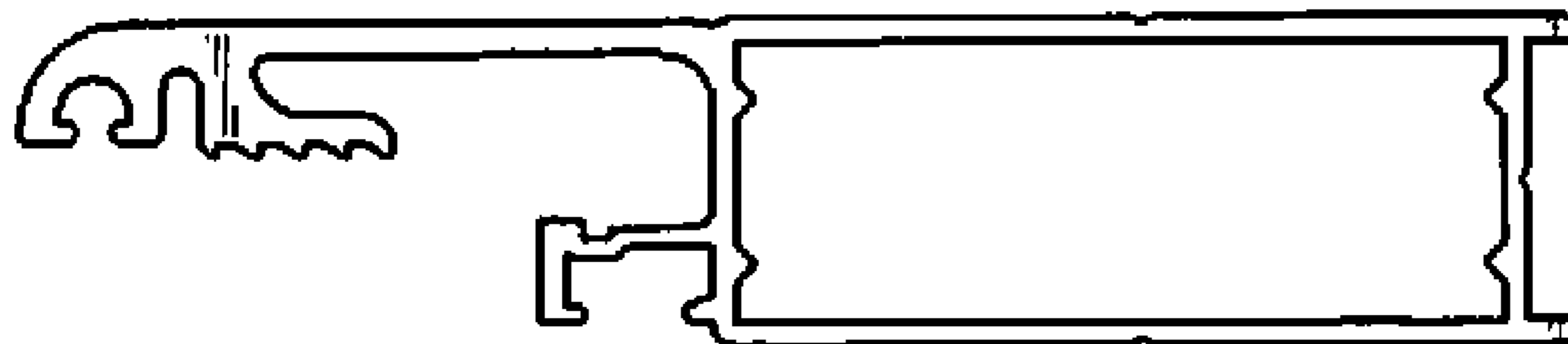
FIG. 3 is a rear perspective view of the door frame extrusion of FIGS. 1 and 2.

(56) **References Cited**

U.S. PATENT DOCUMENTS

5,647,423 A * 7/1997 Harms 160/206

1 Claim, 1 Drawing Sheet



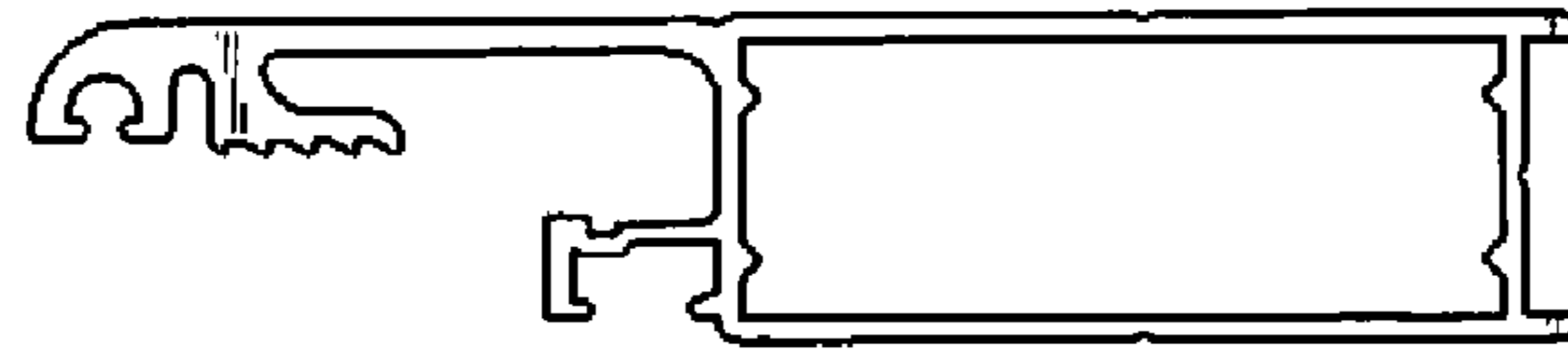


FIG. 1

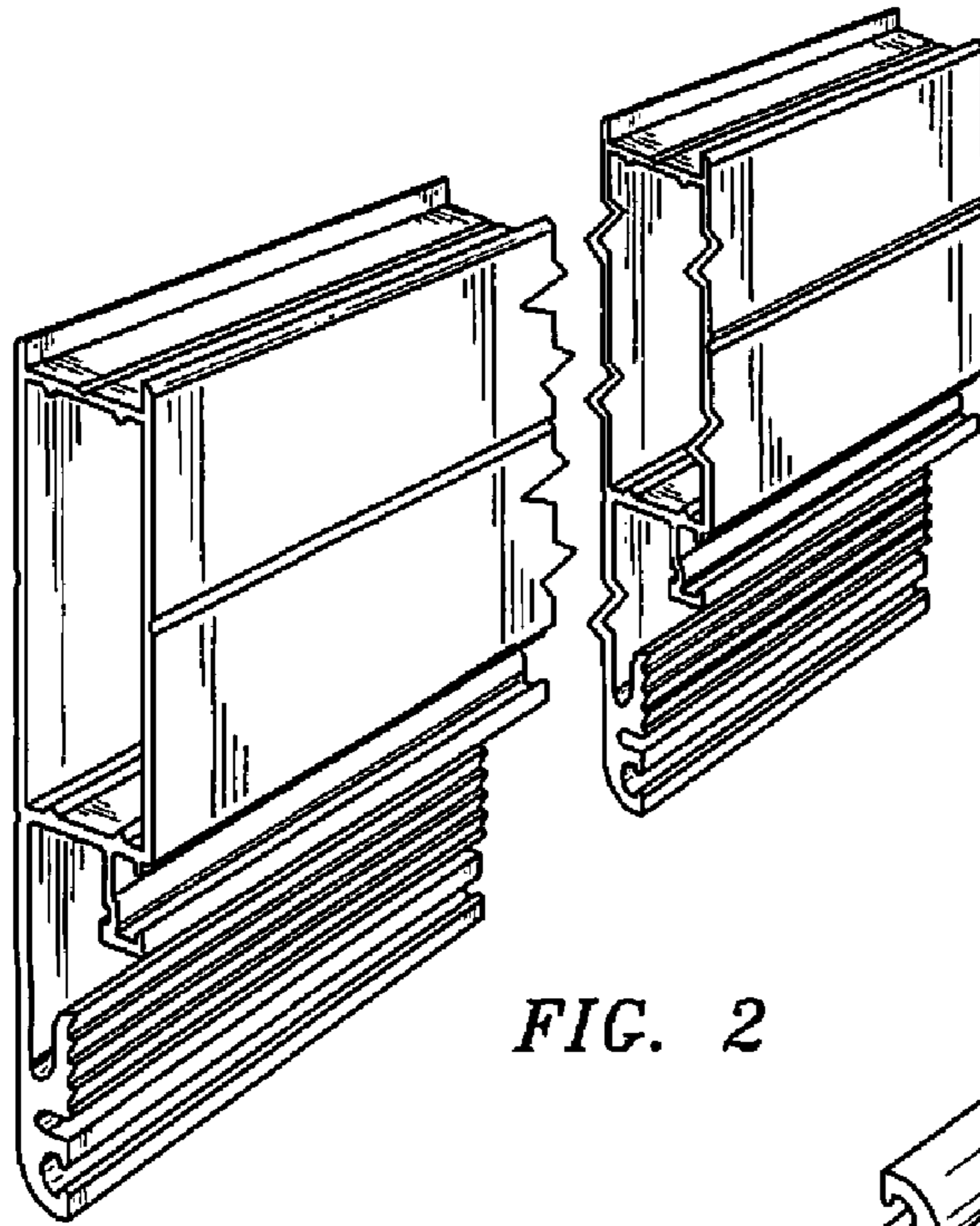


FIG. 2

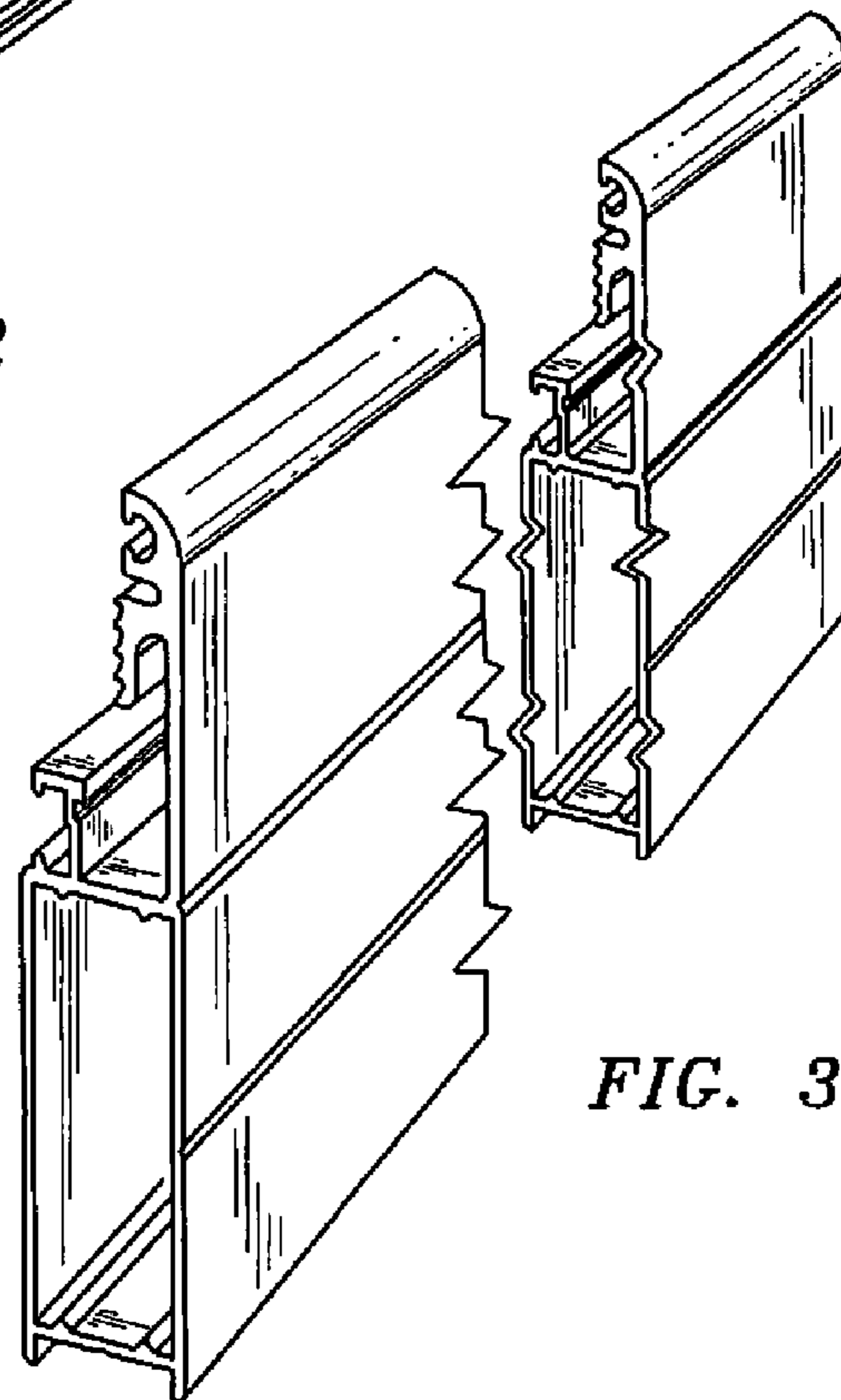


FIG. 3