



US00D629921S

(12) **United States Design Patent**  
**Southwell**

(10) **Patent No.:** **US D629,921 S**

(45) **Date of Patent:** **\*\* \*Dec. 28, 2010**

(54) **BUILDING ELEMENT**

FOREIGN PATENT DOCUMENTS

(75) Inventor: **Darren Southwell**, Bella Vista (AU)

AU

90831

8/1985

(73) Assignee: **James Hardie Technology Limited**,  
Dublin (IE)

(Continued)

(\*\*) Term: **14 Years**

OTHER PUBLICATIONS

(21) Appl. No.: **29/351,069**

Scyon™ Matrix™ website printed Sep. 13, 2006 at <http://www.jameshardie.com.au/Products/Scyon/Cladding/Matrix/default.htm>.

(22) Filed: **Nov. 30, 2009**

(Continued)

(30) **Foreign Application Priority Data**

May 29, 2009 (AU) ..... 12005/2009

*Primary Examiner*—Doris Clark

(74) *Attorney, Agent, or Firm*—Gardere Wynne Sewell LLP

(51) **LOC (9) Cl.** ..... **25-01**

(52) **U.S. Cl.** ..... **D25/121**

(58) **Field of Classification Search** ..... D25/121;  
52/244, 273, 277, 278, 279, 282.3, 283, 255,  
52/799.11, 800.1, 800.11

See application file for complete search history.

(57)

**CLAIM**

The ornamental design for a building element, as shown and described.

(56) **References Cited**

**DESCRIPTION**

U.S. PATENT DOCUMENTS

1,440,358	A	12/1922	Whetstone	
1,630,801	A	5/1927	Parsons	
1,698,557	A	1/1929	O'Brien	
3,219,401	A *	11/1965	Mapson	312/140.3
3,323,819	A *	6/1967	Barker	403/402
3,481,093	A	12/1969	Davidson	
D216,836	S	3/1970	Faulkner et al.	
D234,437	S	3/1975	Craik	
3,869,295	A	3/1975	Bowles et al.	
D237,269	S	10/1975	Edwards	
D237,271	S	10/1975	Edwards	
3,986,312	A	10/1976	Calhoun et al.	
4,052,829	A	10/1977	Chapman	
4,076,884	A	2/1978	Riley et al.	
4,366,657	A	1/1983	Hopman	
4,373,957	A	2/1983	Pedersen et al.	
D275,705	S	9/1984	Gabriel	

(Continued)

FIG. 1 is a first perspective view of a building element;

FIG. 2 is a first end view of the building element shown in FIG. 1;

FIG. 3 is a first side view of the building element shown in FIG. 1;

FIG. 4 is a plan view of the building element shown in FIG. 1;

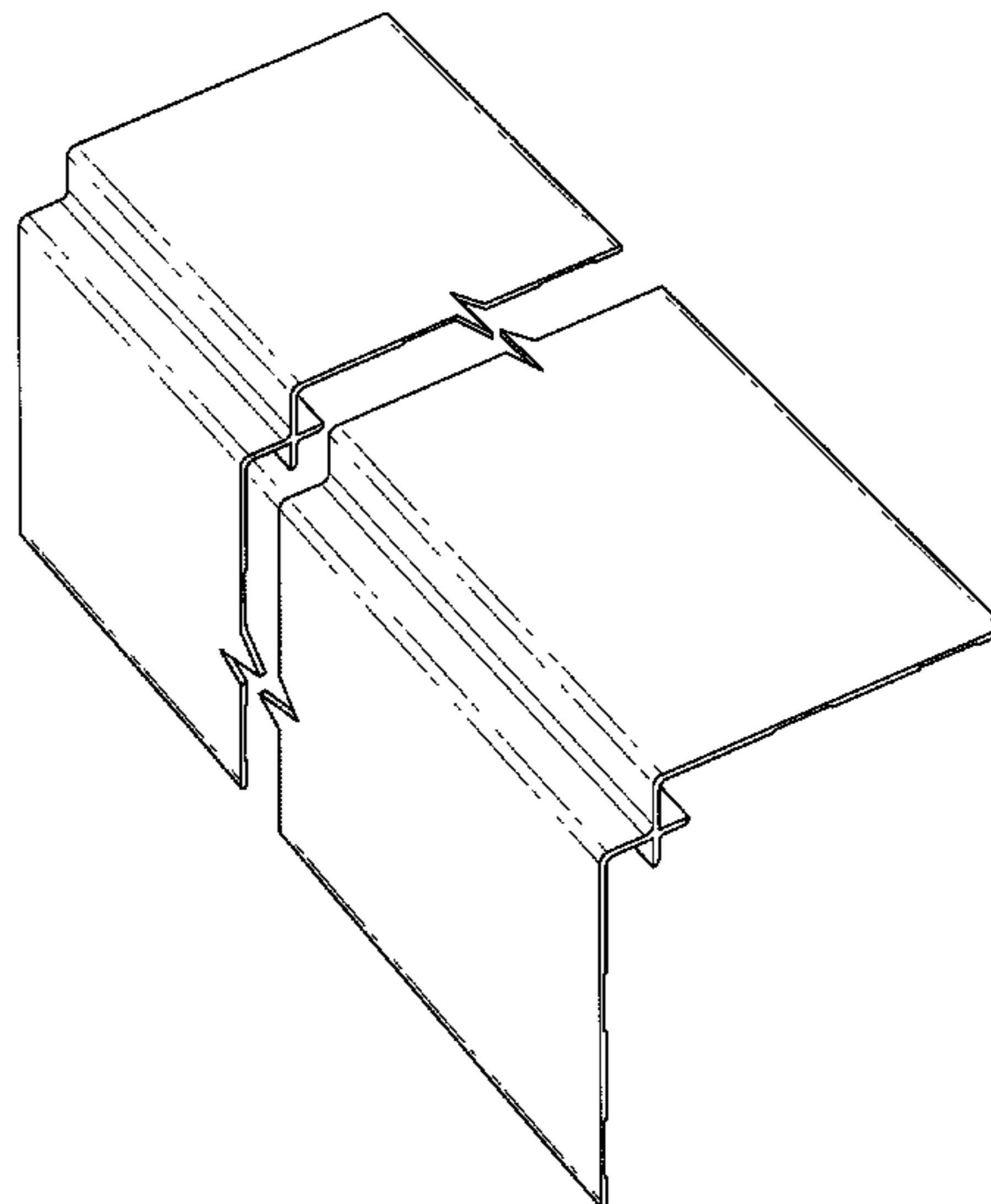
FIG. 5 is a second side view of the building element shown in FIG. 1;

FIG. 6 is a second end view of the building element shown in FIG. 1;

FIG. 7 is a bottom view of the building element shown in FIG. 1; and,

FIG. 8 is a second perspective view of a building element shown in FIG. 1.

**1 Claim, 6 Drawing Sheets**



# US D629,921 S

Page 2

## U.S. PATENT DOCUMENTS

4,680,911	A	7/1987	Davis et al.	
4,895,598	A	1/1990	Hedberg et al.	
4,963,430	A	10/1990	Kish et al.	
5,117,600	A	6/1992	Yerushalmi et al.	
D331,469	S	12/1992	McMarlin	
5,242,736	A	9/1993	Van Erden et al.	
5,397,631	A	3/1995	Green et al.	
5,473,847	A	12/1995	Crookston	
5,622,556	A	4/1997	Shulman	
5,724,783	A	3/1998	Mandish	
5,732,520	A	3/1998	Maietta	
5,736,594	A	4/1998	Boles et al.	
5,747,142	A	5/1998	Bleasdale	
5,960,598	A	10/1999	Tamlyn	
5,974,748	A	11/1999	Sciuga et al.	
6,018,924	A	2/2000	Tamlyn	
6,030,447	A	2/2000	Naji et al.	
6,279,284	B1	8/2001	Moras	
6,341,458	B1	1/2002	Burt	
D456,911	S	5/2002	Janesky	
6,449,915	B1	9/2002	Park	
6,460,311	B1	10/2002	Ito	
6,510,667	B1	1/2003	Cottier et al.	
6,516,580	B1	2/2003	Maietta	
6,672,016	B2	1/2004	Janesky	
D491,677	S *	6/2004	Barnett	..... D25/119
6,758,017	B2	7/2004	Young	
6,990,775	B2	1/2006	Koester	
D574,520	S *	8/2008	Taylor et al.	..... D25/121
D601,720	S	10/2009	Gleeson	
D603,533	S	11/2009	Gleeson	
D606,671	S	12/2009	Southwell	
D606,672	S	12/2009	Southwell	
D607,584	S *	1/2010	Ito	..... D25/121
2002/0035809	A1 *	3/2002	Smythe, Jr.	..... 52/255
2002/0073638	A1	6/2002	Kunz et al.	
2004/0020143	A1	2/2004	Webb	
2004/0118076	A1	6/2004	Bezubic	
2006/0005489	A1	1/2006	Smythe	
2006/0010800	A1	1/2006	Bezubic	
2006/0080942	A1	4/2006	O'Neill	
2008/0216430	A1	9/2008	Gleeson et al.	
2009/0019814	A1	1/2009	Gleeson et al.	
2009/0064599	A1	3/2009	Bennett	

## FOREIGN PATENT DOCUMENTS

AU	95374	2/1987
AU	99315	1/1988
AU	105706	10/1989
AU	109294	10/1990
AU	112156	9/1991
AU	112157	9/1991
AU	122184	12/1994
AU	124159	7/1995
AU	128989	1/1997
AU	745114	12/1998
AU	136553	3/1999
AU	143709	5/2001
AU	783430	6/2001
AU	735352	7/2001
AU	2001287356	4/2002
AU	148950	8/2002
AU	2003204739	B2 7/2003
AU	2003257906	A1 7/2004
AU	310645	10/2006
CA	974726	9/1975
CA	2244625	A1 2/2000
DE	2440497	3/1976
EP	0024360	3/1981
EP	0074338	3/1983

EP	0127824	A2	12/1984
EP	0305209	A1	3/1989
EP	0430667		6/1991
GB	558239		12/1943
GB	564447		9/1944
GB	1086311		10/1967
GB	1174902		12/1969
GB	1590875		6/1981
GB	2378192		2/2003
JP	06278116	A	10/1994
JP	07279275	A	10/1995
JP	08004248		1/1996
JP	08068184	A2	3/1996
JP	8109686	A	4/1996
JP	10280639		10/1998
JP	11256683		9/1999
JP	2000064554	A2	2/2000
JP	2001227100	A	8/2001
JP	2002161623	A2	6/2002
JP	2007016428		1/2007
NZ	334899		4/2000
NZ	335529		12/2000
NZ	502017		1/2001
NZ	525507		9/2004
NZ	536129		2/2006
TW	278536		6/1996
TW	278537		6/1996
TW	282800		8/1996
WO	WO-8102758		10/1981
WO	WO-9324711		12/1993
WO	WO-9708111		3/1997
WO	WO-9964692		12/1999
WO	WO-02096824		12/2002
WO	WO03035998	A1	5/2003
WO	WO-03089726	A2	10/2003
WO	WO-2004087412	A1	10/2004
WO	WO-2004092494	A2	10/2004
WO	WO-2005003478		1/2005
WO	WO-2005035900		4/2005
WO	WO-2005068741		7/2005
WO	WO-2005078210		8/2005
WO	WO-2008113136	A1	9/2008

## OTHER PUBLICATIONS

Scyon™ Axon™ website printed Sep. 13, 2006 at <http://www.jameshardie.com.au/Products/Scyon/Cladding/Axon>.

Scyon™ Linea™ website printed Sep. 13, 2006 at <http://www.jameshardie.com.au/Products/Scyon/Cladding/Linea/default.htm>.

International Search Report dated Mar. 29, 2007 in copending International PCT Application No. PCT/AU2007/000096.

New Zealand Building Code Acceptable Solution E2/AS1, Department of Building and Housing, Jul. 1, 2005 (retrieved on Mar. 22, 2007) Retrieved from the internet <URL <http://wwwv.minhousing.govt.nz/UserFiles/File/Publications/Building/Compliance-documents-clause-e2-b.pdf> (37 pgs).

Decision of Appeal in relation to Taiwanese Patent Application No. 85114421, issued Feb. 24, 1999.

Decision of Opposition in relation to Taiwanese Patent Application No. 85114421, issued Aug. 3, 1998.

Simplicity Tool Corporation, "Off Stud Joiners," May 12, 2009, 1 p. (US).

Simplicity Tool Corporation, "Installation Instruction for Off Stud Joiners," May 12, 2009, 1 p. (US).

Certainteed WeatherBoards™ Fiber Cement Siding, "Lap Siding Installation Guide," Oct. 2008, 8 pp.

BGC Fibre Cement, "Duraplank™ Technical Information for Duraplank™ Woodgrain and Smooth for External Cladding," Apr. 2007, 12 pp.

James Hardie®, "External Cladding - Technical Specification," Sep. 2005, 32 pp.

# US D629,921 S

Page 3

---

James Hardie® , “Seyon™ Stria™ Cladding Installation Instructions,” Jun. 2008, 6 pp.

Eternit Building Materials, “Glasal Fibre Cement Cladding Panels,” May 2003, 8 pp.

Eternit Building Materials, “Omega and Zeds,” May 2003, 8 pp.

\* cited by examiner

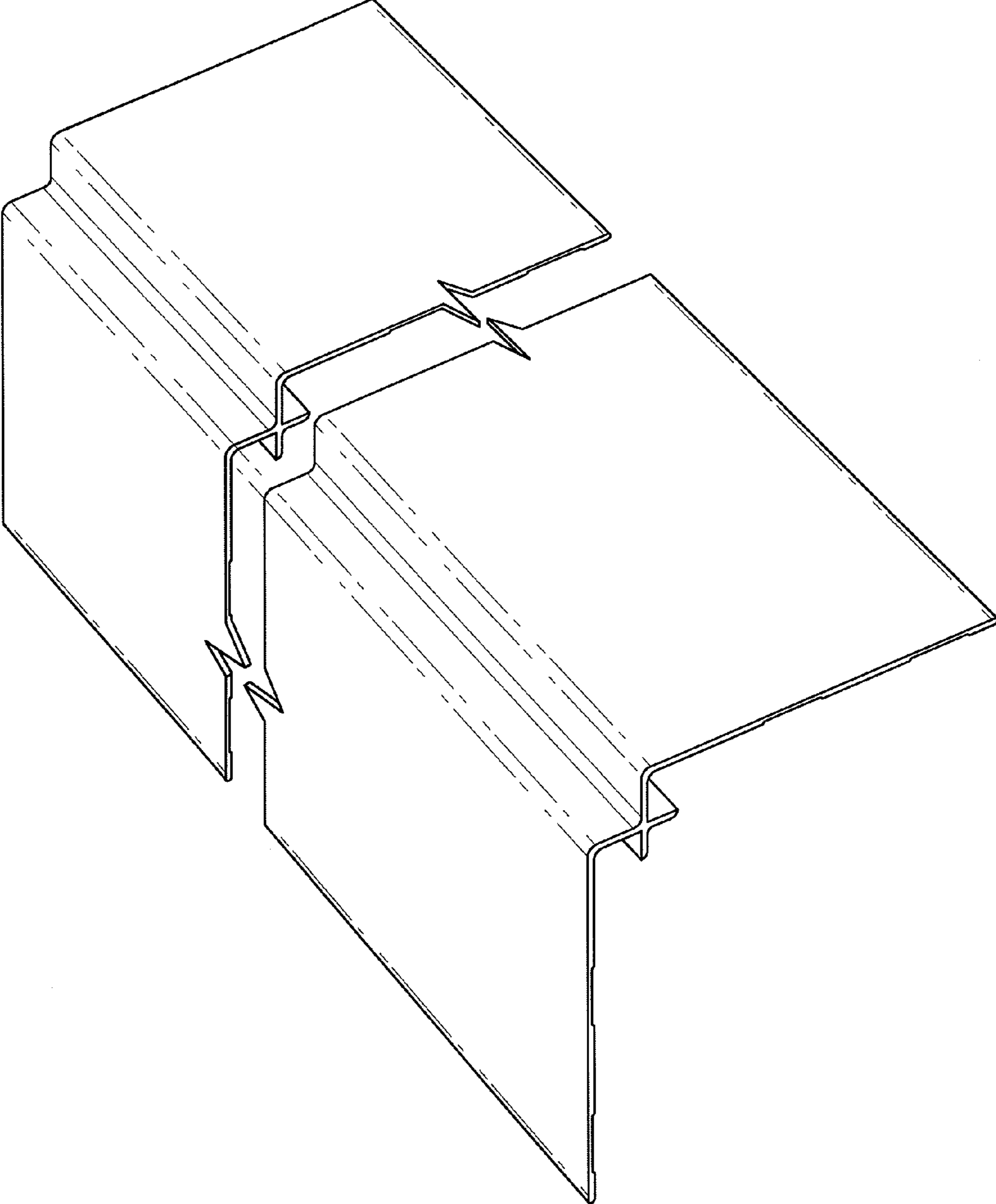


FIGURE 1

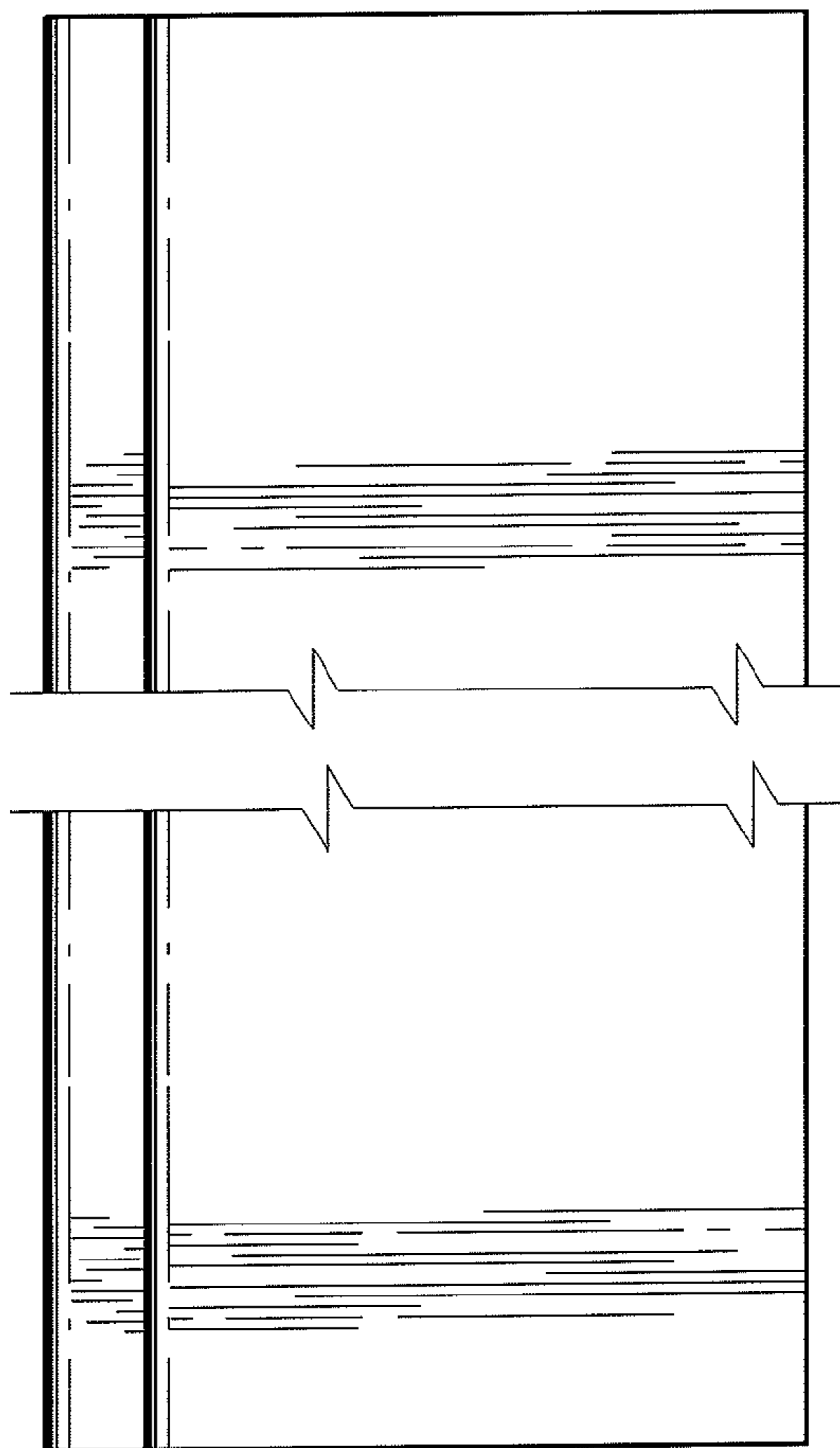


FIGURE 3

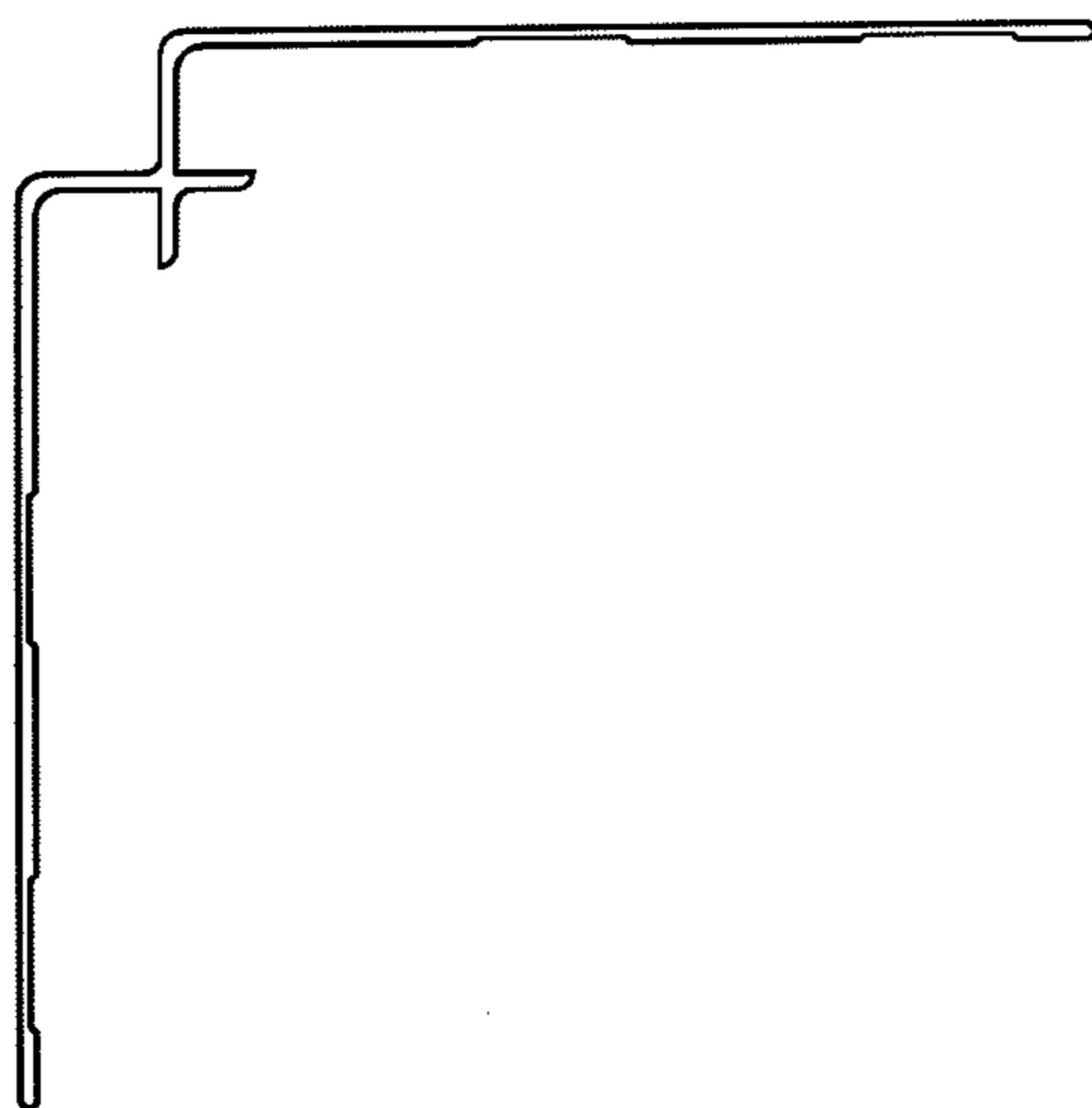


FIGURE 2

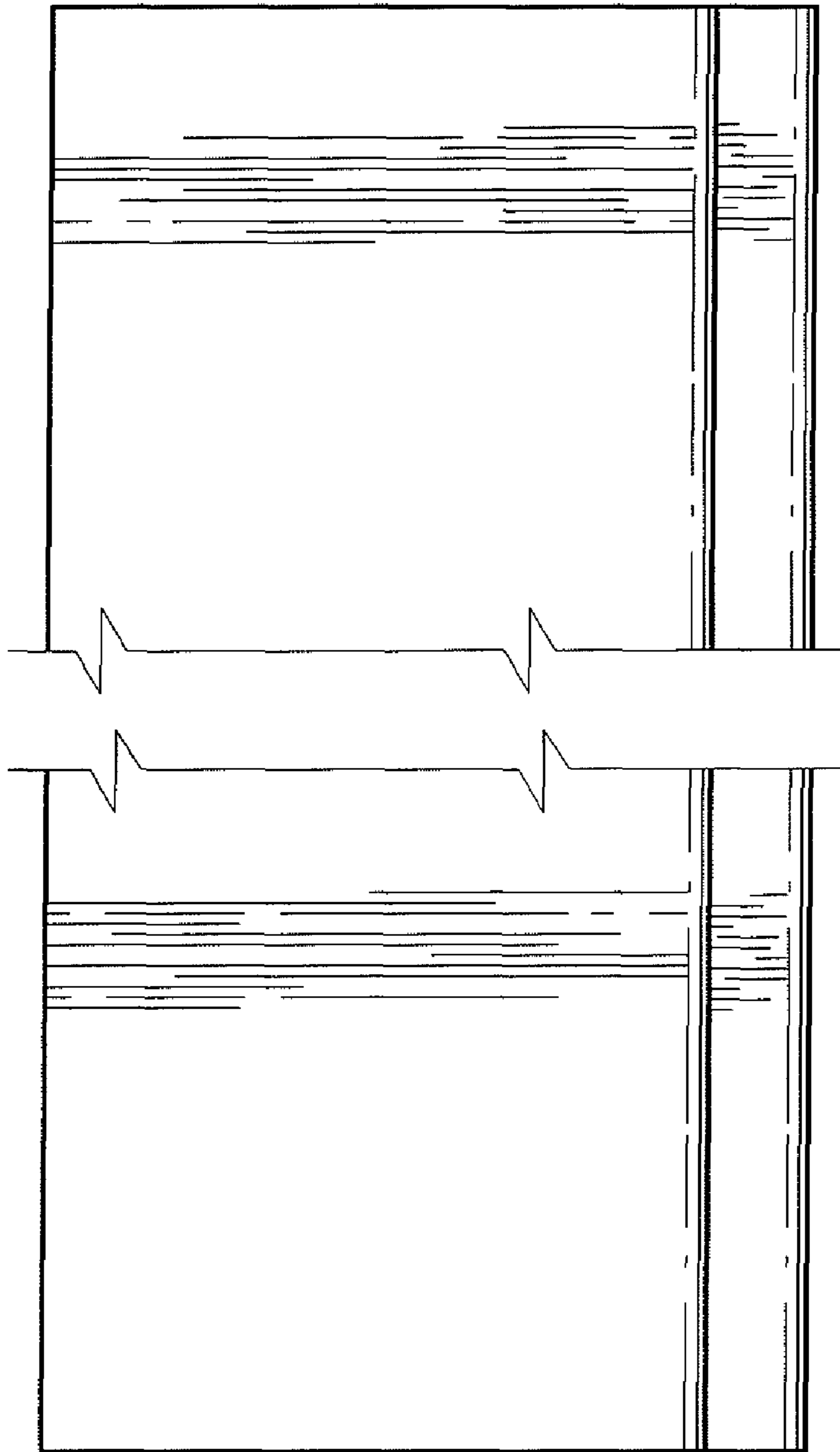


FIGURE 4

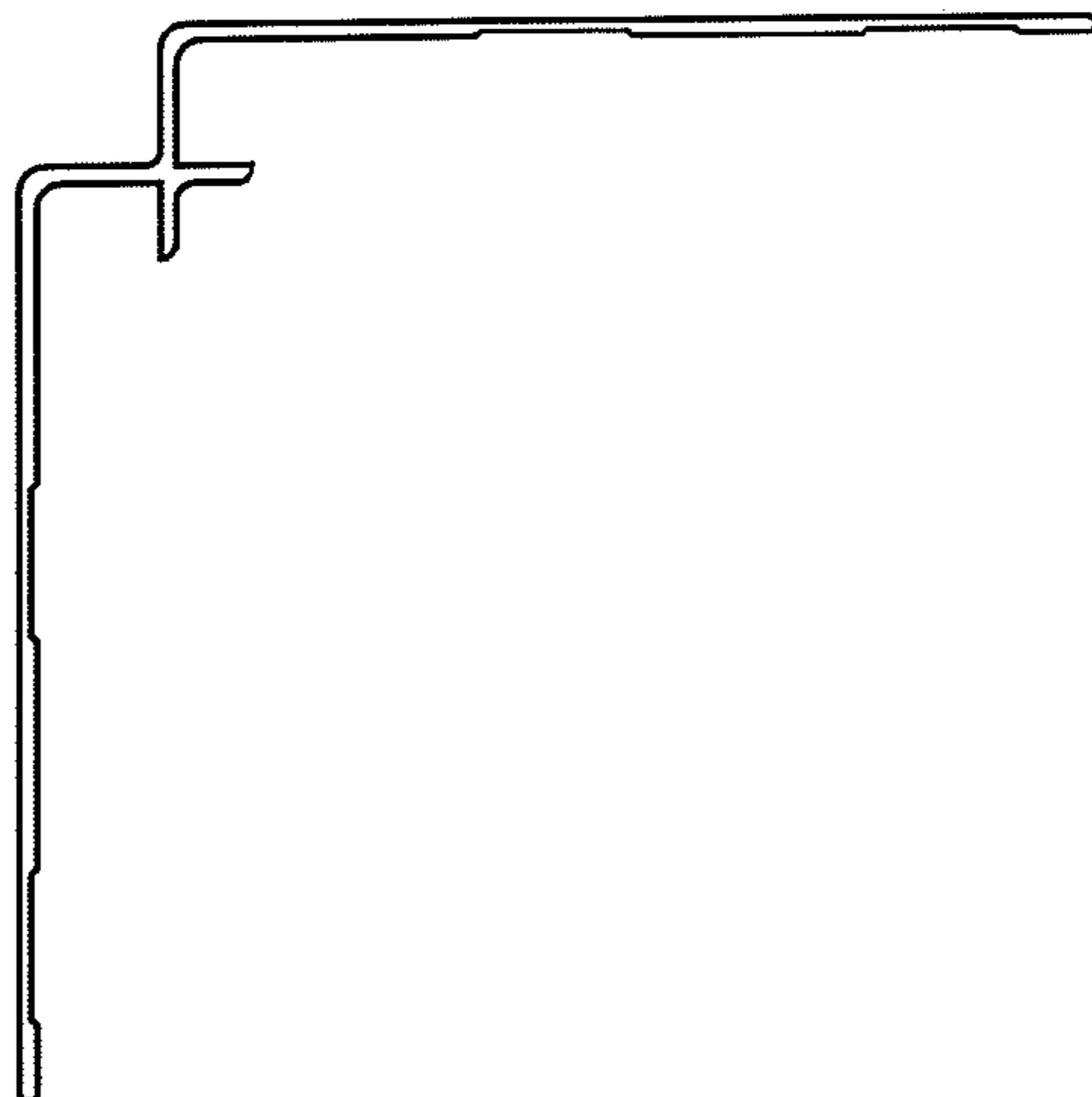


FIGURE 6

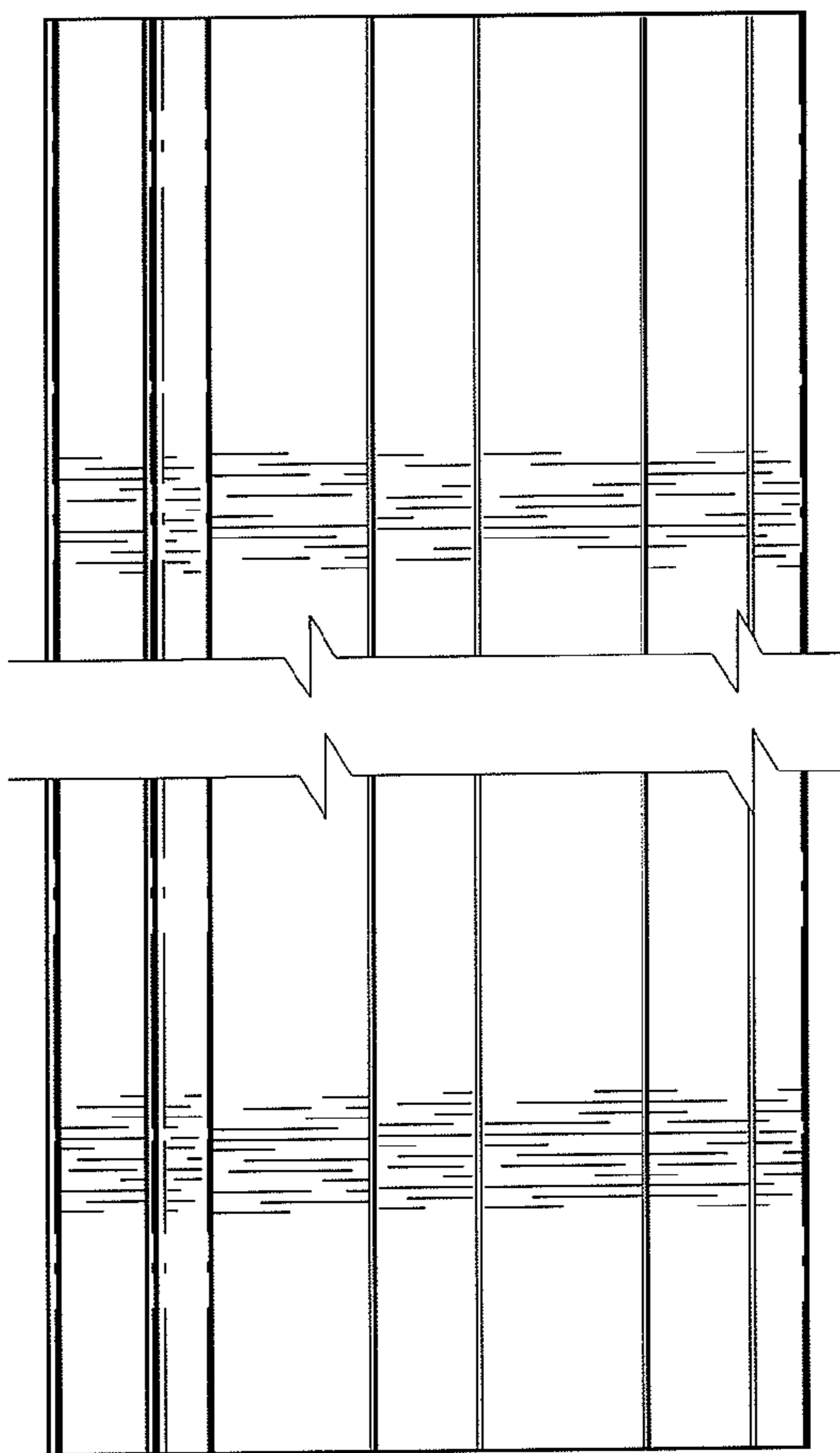


FIGURE 5

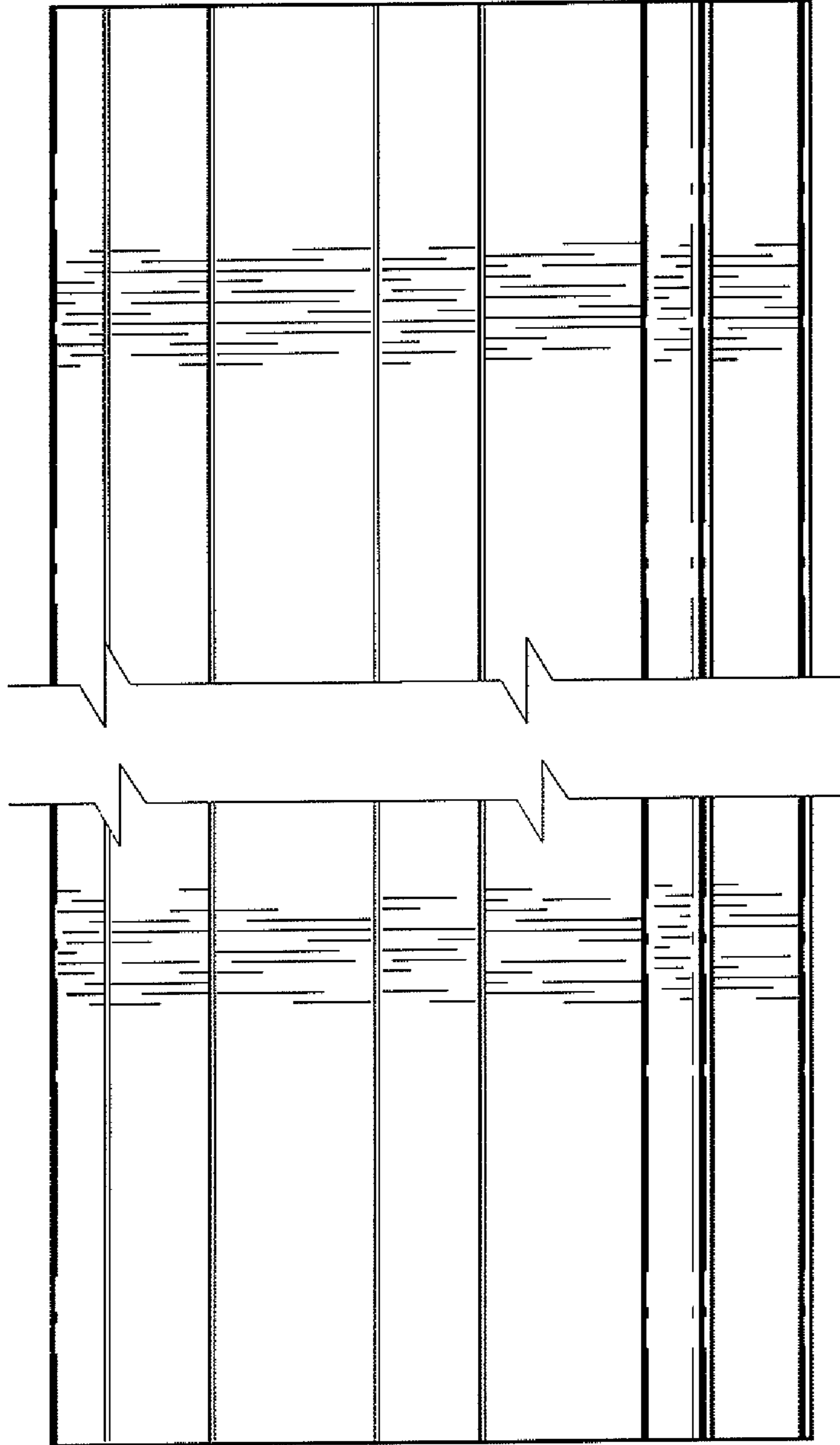


FIGURE 7



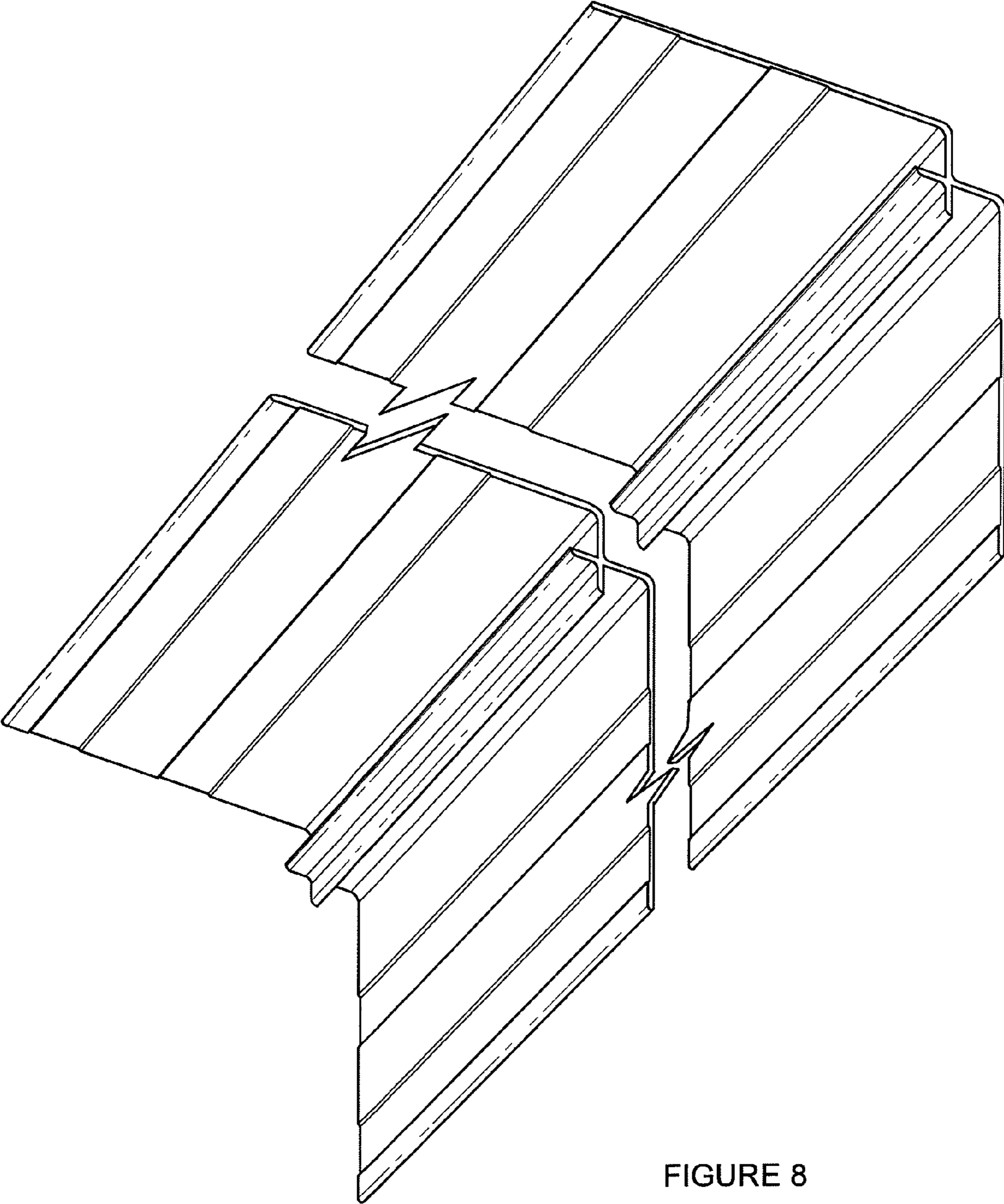


FIGURE 8